

# Large Flush Wood Boston Face Installation

## SKU Number

Boston – Charcoal - 96400725

## Compatibility

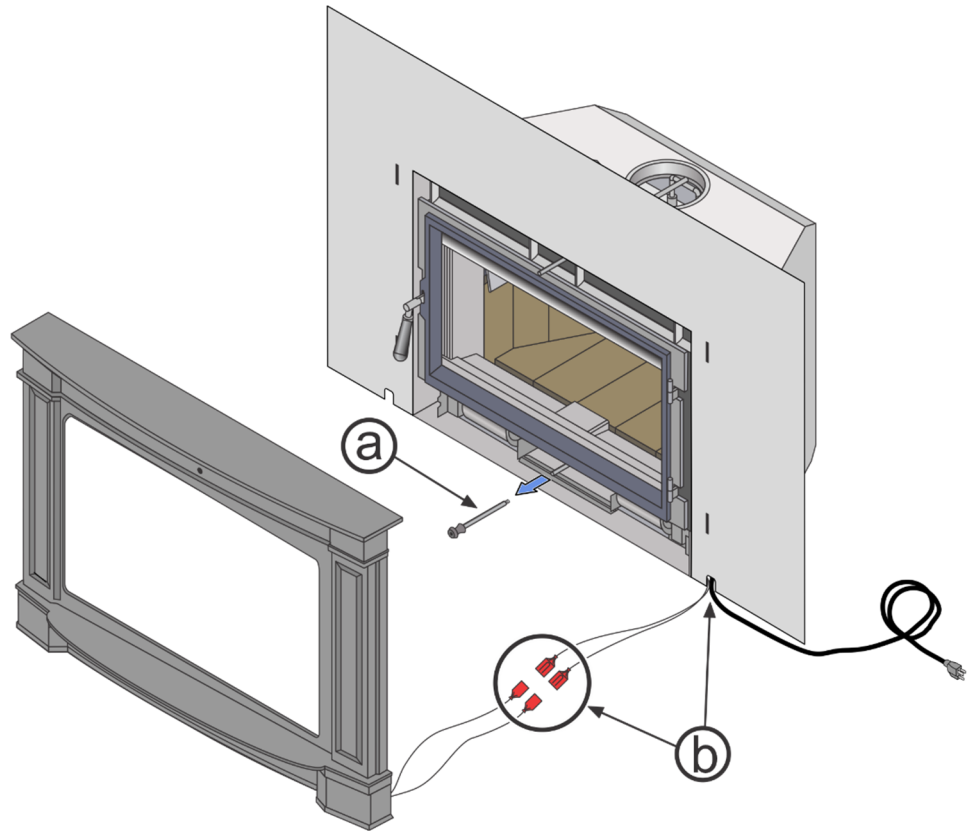
- Large Flush Wood Rectangular Hybrid-Fyre Insert w/ 1-Piece Panel
- Large Flush Wood Nex-Gen
- Large Flush Wood Nex-Gen Hybrid

## Packing List

- Face (not shown)
- Air Control Rod Extension
- Bypass Ring

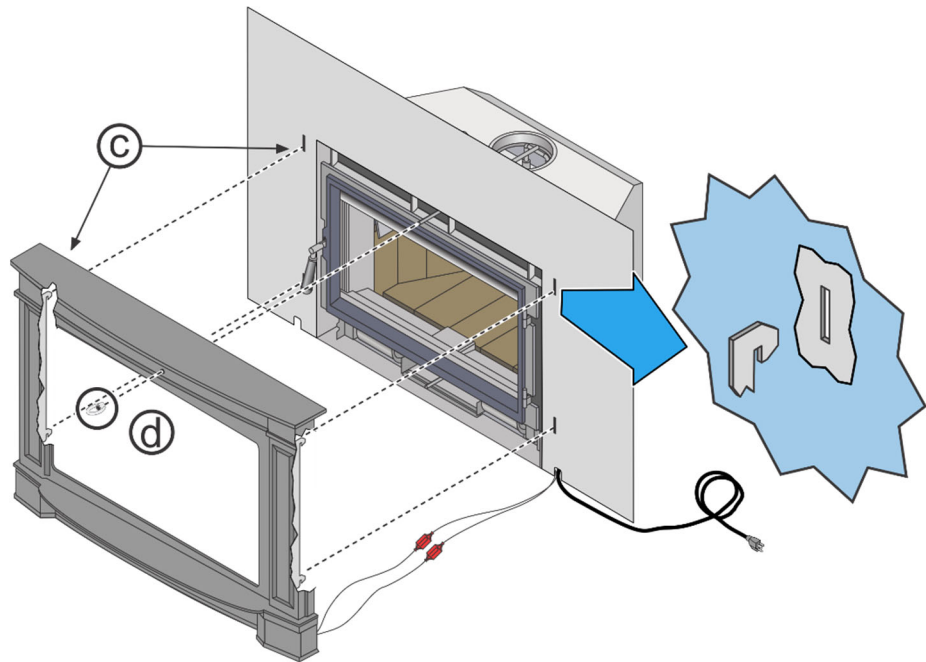
## Installation

1. Before installing the face, make sure the insert is in place, attached to the flue, and the surround panel is in place. Remove the air control rod (see “a” to the right).
2. Connect the rheostat wires and make sure the power cord is routed through the hole in the surround panel (see “b” to the right).

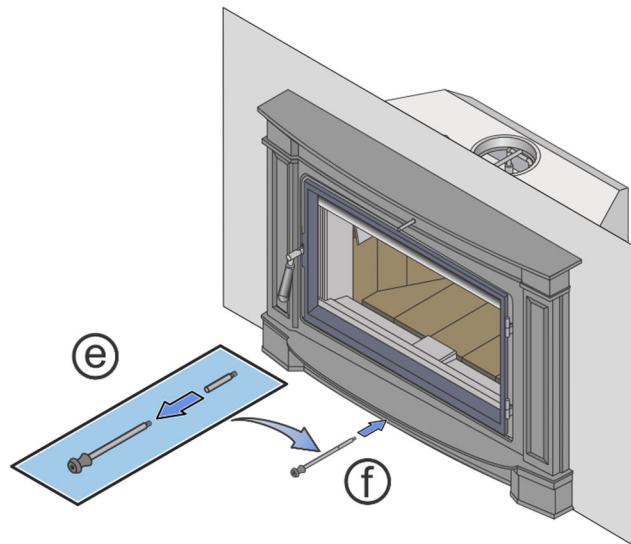


# Large Flush Wood Boston Face Installation

3. Attach the face as shown below (see "c" to the right). First, ensure that the bypass rod is fully pushed in.
4. Attach the bypass ring to the bypass rod (see "d" to the right).



5. Screw the extension included with this face to the extension that was removed from the insert in step #1 (see "e" to the right).
6. connect both extensions and the knob to the air control (see "f" to the right).



**WARNING:** Make sure all wiring is inserted into the cavity between the insert and the fireplace. Failure to do this may cause the wiring to become damaged.