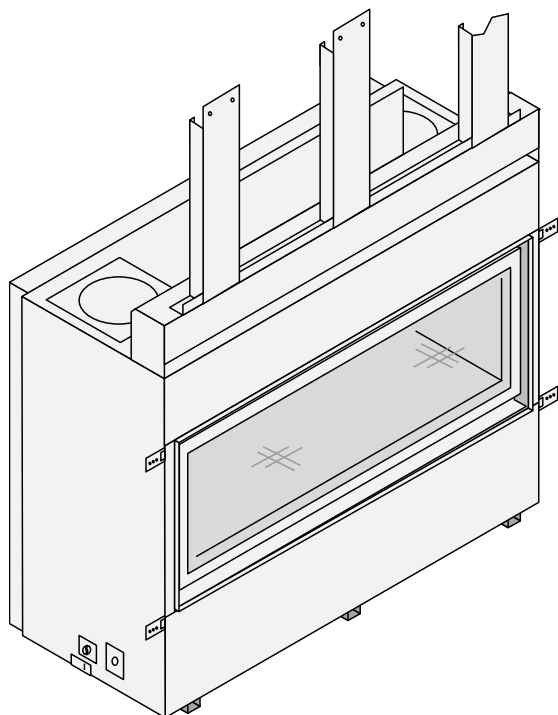


# 4415 HO GSR2 Fireplace (Aust)

- Direct Vent Fireplace
- Natural Gas or Propane
- Vent Horizontally or Vertically
- Standard Residential
- Mobile Home Approved



Listed by



AS/NZS 5263.1.3 GMK 10166  
IAPMO-R&T OCEANA

**WARNING:** If the information in these instructions is not followed exactly, a fire or explosion may result causing property damage, personal injury or loss of life.

- **DO NOT PLACE ARTICLES ON OR AGAINST THIS APPLIANCE.**
- **DO NOT USE OR STORE FLAMMABLE MATERIALS NEAR THIS APPLIANCE.**
- **DO NOT SPRAY AEROSOLS IN THE VICINITY OF THIS APPLIANCE WHILE IT IS IN OPERATION.**
- **DO NOT MODIFY THIS APPLIANCE.**
- Do not store or use gasoline or other flammable vapors and liquids in the vicinity of this or any other appliance.

#### WHAT TO DO IF YOU SMELL GAS

- Do not try to light any appliance.
- Do not touch any electrical switch; do not use any phone in your building.
- Immediately call gas supplier from a neighbor's phone. Follow the gas supplier's instructions.
- If you cannot reach your gas supplier, call the fire department.
- Installation and service must be performed by a qualified installer, service agency or the gas supplier.

This appliance may be installed in an aftermarket permanently located, manufactured home (USA only) or mobile home, where not prohibited by local codes.

***This appliance is only for use with the type(s) of gas indicated on the rating plate. A conversion kit is supplied with the appliance.***

## **WARNING**



**HOT GLASS WILL  
CAUSE BURNS.  
DO NOT TOUCH GLASS  
UNTIL COOLED.  
NEVER ALLOW CHILDREN  
TO TOUCH GLASS.**

## Installation Manual

**Installer:** After installation give this manual to the home-owner and explain operation of this heater.

Dragon Wholesaling Pty. Ltd.  
Unit 4, 16 Lexington Drive  
Bella Vista NSW  
Australia 2153

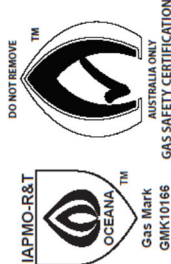
© Copyright 2018, T.I. \$10.00 100-01368 11/6/2020

**Overview**

This manual details the installation requirements for the 4415 HO GSR2 fireplace. For operating and maintenance instructions, refer to the 4415 HO GSR2 Owner's Manual (part # 100-01369).



**4415 GSR2 (Au)  
Vented Gas Fireplace Heater**



Tested to the combustion performance and construction requirements of AS/NZS 5263.1.3 Gas Space Heating Appliances. This appliance must be installed in accordance with all local codes.

This 4415 GSR2 (Au) appliance is equipped from the factory only for use with Natural Gas and is only for use with the type of gas indicated on the rating plate. For conversion to LP (Propane) use a certified kit supplied by the manufacturer. See owner's manual for information on making these changes.

This appliance may be installed in an aftermarket, permanently located, manufactured (mobile) home where not prohibited by local codes.

This vented gas fireplace heater is not for use with air filters. This appliance must be properly connected to a venting system in accordance with the manufacturer's installation instructions. Use only approved coaxial direct vent systems to vent this appliance to the exterior. See owner's manual for approved brands of venting.

**WARNING:** Improper installation, adjustment, alteration, service or maintenance can cause injury or property damage. Refer to the owner's information manual provided with this appliance. For assistance or additional information consult a qualified installer, service agency or the gas supplier.

**This appliance is a Vented Gas Fireplace Heater. Not for use with Solid Fuel.**

Young children should be carefully supervised at all times when they are in the same room as the appliance.

Minimum Clearances to Combustibles	
Fireplace to adjacent wall	77 mm
Wood floor beneath fireplace	0 mm
Back to enclosure	4 mm
Base of fireplace to enclosure top	1524 mm
Sides to enclosure	17 mm
Base of fireplace to a mantel	See Owner's Manual

FAN TYPE VENTED CIRCULATOR	
Blower Electrical Rating: 240V, 1.5 Amps, 50 Hz, 160 Watts	
Input Rate on "HI" (MJ/h)	L.P. 44.31 N.G. 42.0
Input Rate on "LO" (MJ/h)	22.6 22.87
Orifice Size (DMS)	#49 #31
Minimum Inlet Pressure (kPa)	L.P. 2.74 N.G. 1.13
Maximum Inlet Pressure (kPa)	3.24 1.74
Manifold Pressure on "HI" (kPa)	2.2 0.94

This appliance is equipped for installation 0-610 m. For altitudes above 600m, the vent configuration, orifice, or combination of both may need to be changed. See owner's manual for information on making these changes.

**MANUFACTURE DATE:**

<input type="checkbox"/> 2020	<input type="checkbox"/> Jan.	<input type="checkbox"/> Apr.	<input type="checkbox"/> Jul.	<input type="checkbox"/> Oct.
<input type="checkbox"/> 2021	<input type="checkbox"/> Feb.	<input type="checkbox"/> May	<input type="checkbox"/> Aug.	<input type="checkbox"/> Nov.
<input type="checkbox"/> 2022	<input type="checkbox"/> Mar.	<input type="checkbox"/> Jun.	<input type="checkbox"/> Sep.	<input type="checkbox"/> Dec.

**www.lopi.com.au**

**Manufactured by:**

**TRAVIS INDUSTRIES  
HOUSE OF FIRE**  
12521 Harbour Reach Drive  
Mukilteo, WA 98275

**Certificate Holder:**

**Dragon Wholesaling Pty. Ltd.**  
Unit 4, 16 Lexington Drive  
Bella Vista NSW 2153  
Australia

- Overview ..... 2**
- Installation Options ..... 6**
- Heating Specifications ..... 6**
- Dimensions ..... 6**
- Packing List ..... 7**
- Additional Items Required ..... 7**
- Recommended Installation Procedure ..... 7**
- Fireplace Placement Requirements ..... 8**
  - Clearances ..... 8
  - Raised Fireplaces ..... 8
- Televisions Placed Above the Fireplace ..... 9**
  - Using a Mantel Between the Fireplace and Television .... 9
  - Using a Recessed Fireplace Below a Television ..... 10
  - Using a Recessed Fireplace with a Recessed Television ..... 11
- Minimum Framing Dimensions ..... 12**
- Nailing Brackets – Standard Install ..... 13**
- Standard vs. Extended Position ..... 14**
- Corner Installations ..... 15**
- Removing the Front Panel ..... 16**
- Gas Line Requirements ..... 17**
  - Fuel ..... 17
  - Gas Line Connection ..... 17
  - Gas Inlet Pressure ..... 17
  - Directions for Connecting a Gas Pressure Test Gauge ... 17
  - Gas Line Location ..... 18
  - Relocating the Gas Line to the Baseplate ..... 18
- Electrical Connection ..... 19**
  - Relocating the Electrical Line to the Baseplate ..... 19
- Vent Requirements ..... 20**
  - Vent Clearances ..... 20
  - Vent Firestop ..... 20
  - Altitude Considerations ..... 20
  - Approved Vent ..... 20
  - Vent Installation ..... 20
  - Vertical Pipe Shield ..... 21
  - Minimum Vent Pipe Shield – Used for Minimum Vent Applications Only ..... 22
- Approved Vent Configurations ..... 23**
  - Restrictor Position ..... 23
  - Exhaust Restrictor ..... 23
  - Intake Restrictor ..... 24
  - Diffuser ..... 25
- Minimum Vent Configuration ..... 26**
- Vent Configuration: Vertical Termination ..... 27**
- Vent Configuration: Horizontal Termination with Vertical Rise ..... 28**
- Vent Configuration: Horizontal Termination with Vertical Rise – 8” Vent ..... 29**
- Termination Requirements ..... 30**
- Hearth Requirements ..... 31**

- Non-Combustible Framing (included) ..... 32**
- Facing Requirements ..... 33**
  - Standard vs. Extended Position ..... 34
  - Facing Example – Standard Position – Flush Install ..... 35
  - Facing Example – Standard Position - Tile-Over Install .. 36
  - Do Not Drill or Screw Zone ..... 37
- Mantel Requirements ..... 38**
  - Mantel Column Clearances ..... 38
- Use of a Non-Combustible Mantel Below Listed Mantel Clearances ..... 39**
- Steps for Finalizing the Installation ..... 40**
  - Air Shutter Adjustment ..... 41
- Glass Frame Removal and Installation ..... 42**
- Fireback Installation ..... 44**
- Crushed Glass Installation ..... 46**
- LP Conversion Instructions ..... 47**
- Wiring Diagram ..... 51**
- Power Heat Duct Installation ..... 52**
- CoolSmart TV (Optional) ..... 54**
  - Installation Overview ..... 54
- CoolSmart TV - Installation Requirements ..... 55**
- CoolSmart TV - Combustible “Over-Facing” (Optional) ..... 56**
- CoolSmart TV - Flush Facing Header Configuration and Facing ..... 56**
- CoolSmart TV - Framing the Chase ..... 58**
- CoolSmart TV - Fireplace Preparation ..... 59**
- CoolSmart TV – Mantel Clearances ..... 63**

## Safety Warnings

---

- Failure to follow all of the requirements may result in property damage, bodily injury, or even death.
- This unit must be installed by a qualified installer to prevent the possibility of an explosion.
- This appliance must be installed in accordance with all local codes, if any; if not, in U.S.A. follow ANSI Z223.1 and NFPA 54(88), in Canada follow CSA B149.1. In Australia follow AS/NZS 5601.1.
- A manufactured home (USA only) or mobile home OEM installation must conform with the Manufactured Home Construction and Safety Standard, Title 24 CFR, Part 3280, or, when such a standard is not applicable, the Standard for Manufactured Home Installations, ANSI/NCSCS A225.1, or Standard for Gas Equipped Recreational Vehicles and Mobile Housing, CSA Z240.4. This appliance may be installed in Manufactured Housing only after the home is site located.
- All exhaust gases must be vented outside the structure of the living-area. Combustion air is drawn from outside the living-area structure. The venting must not be connected to a chimney flue serving a separate solid-fuel burning appliance.
- Notify your insurance company before hooking up this fireplace.
- The room heater should be inspected before use and at least annually by a qualified service person. More frequent cleaning may be required due to excessive lint from carpeting, bedding material, etc.
- The instructions in this manual must be strictly adhered to. Do not use makeshift methods or compromise in the installation. Improper installation will void the warranty and safety listing.
- This heater is approved for use with natural gas (NG) or propane (LP). Burning the incorrect fuel will void the warranty and safety listing and may cause an extreme safety hazard. Direct questions about the type of fuel used to your dealer.
- Contact your local building officials to obtain a permit and information on any installation restrictions or inspection requirements in your area.
- If the flame becomes sooty, dark orange in color, or extremely tall, do not operate the heater. Call your dealer and arrange for proper servicing.
- It is imperative that control compartments, screens, or circulating air passageways of the heater be kept clean and free of obstructions. These areas provide the air necessary for safe operation.
- Do not operate the heater if it is not operating properly in any fashion or if you are uncertain. Call your dealer for a full explanation of your heater and what to expect.
- Do not store or use gasoline or other flammable liquids in the vicinity of this heater.
- Do not operate if any portion of the heater was submerged in water or if any corrosion occurs. Immediately call a qualified service technician to inspect the appliance and to replace any part of the control system and any gas control which has been under water.
- Do not place clothing or other flammable items on or near the heater. Because this heater can be controlled by a thermostat there is a possibility of the heater turning on and igniting any items placed on or near it.
- Light the heater using the built-in igniter. Do not use matches or any other external device to light your heater.
- Never remove, replace, modify or substitute any part of the heater unless instructions are given in this manual. All other work must be done by a trained technician. Don't modify or replace orifices.
- The viewing glass should be opened only for conducting service.
- Any safety screen or guard removed for servicing must be replaced prior to operating the heater.

## Safety Warnings (continued)

- Allow the heater to cool before carrying out any maintenance or cleaning.
- Operate the heater according to the instructions included in this manual.
- If the main burners do not start correctly turn the gas off and call your dealer for service.
- This unit is not for use with solid fuel.
- Do not place anything inside the firebox (except approved Travis Industries components).
- **Warning:** Do not operate appliance with the glass front removed, cracked or broken. Replacement of the glass should be done by a licensed or qualified service person.
- Do not throw this manual away. This manual has important operating and maintenance instructions that you will need at a later time. Always follow the instructions in this manual.
- Young children should be carefully supervised when they are in the same room as the appliance. Toddlers, young children and others may be susceptible to accidental contact burns. A physical barrier is recommended if there are at risk individuals in the house. To restrict access to a fireplace or stove, install an adjustable safety gate to keep toddlers, young children and other at risk individuals out of the room and away from hot surfaces.
- Children and adults should be alerted to the hazards of high surface temperature and should stay away to avoid burns or clothing ignition. Do not touch the hot surfaces of the heater. Educate all children of the danger of a high-temperature heater.
- Due to the high temperature, the heater should be located out of traffic and away from furniture and draperies.
- Instruct everyone in the house how to shut gas off to the appliance and at the gas main shutoff valve. The gas main shutoff valve is usually next to the gas meter or propane tank and requires a wrench to shut off.
- **Travis Industries, Inc. grants no warranty, implied or stated, for the installation or maintenance of your heater, and assumes no responsibility of any consequential damage(s).**

### SAFETY WARNINGS:

- **DO NOT PLACE ARTICLES ON OR AGAINST THIS APPLIANCE.**
- **DO NOT USE OR STORE FLAMMABLE MATERIALS NEAR THIS APPLIANCE.**
- **DO NOT SPRAY AEROSOLS IN THE VICINITY OF THIS APPLIANCE WHILE IT IS IN OPERATION.**
- **DO NOT MODIFY THIS APPLIANCE.**
- **THIS INSTALLATION MUST CONFORM WITH THE FOLLOWING:**
  - Manufacturer's Installation instructions
  - Local Gas Fitting Regulations
  - Municipal Building Codes,
  - Refer to AS/NZS 5601.1 for Gas Installations.
  - S.A.A. Wiring Code
  - Local Electrical Regulations
  - Any other statutory regulations
- **NOT SUITABLE FOR MARINE USE.**
- **NOT INTENDED FOR FIREPLACE INSERT.**
- **APPLIANCES INCORPORATING A LIVE FUEL EFFECT, AND DESIGNED TO OPERATE WITH LUMINOUS FLAMES, MAY EXHIBIT SLIGHT CARBON DEPOSITION.**

# 6

# Installation (for qualified installers only)

## Installation Options

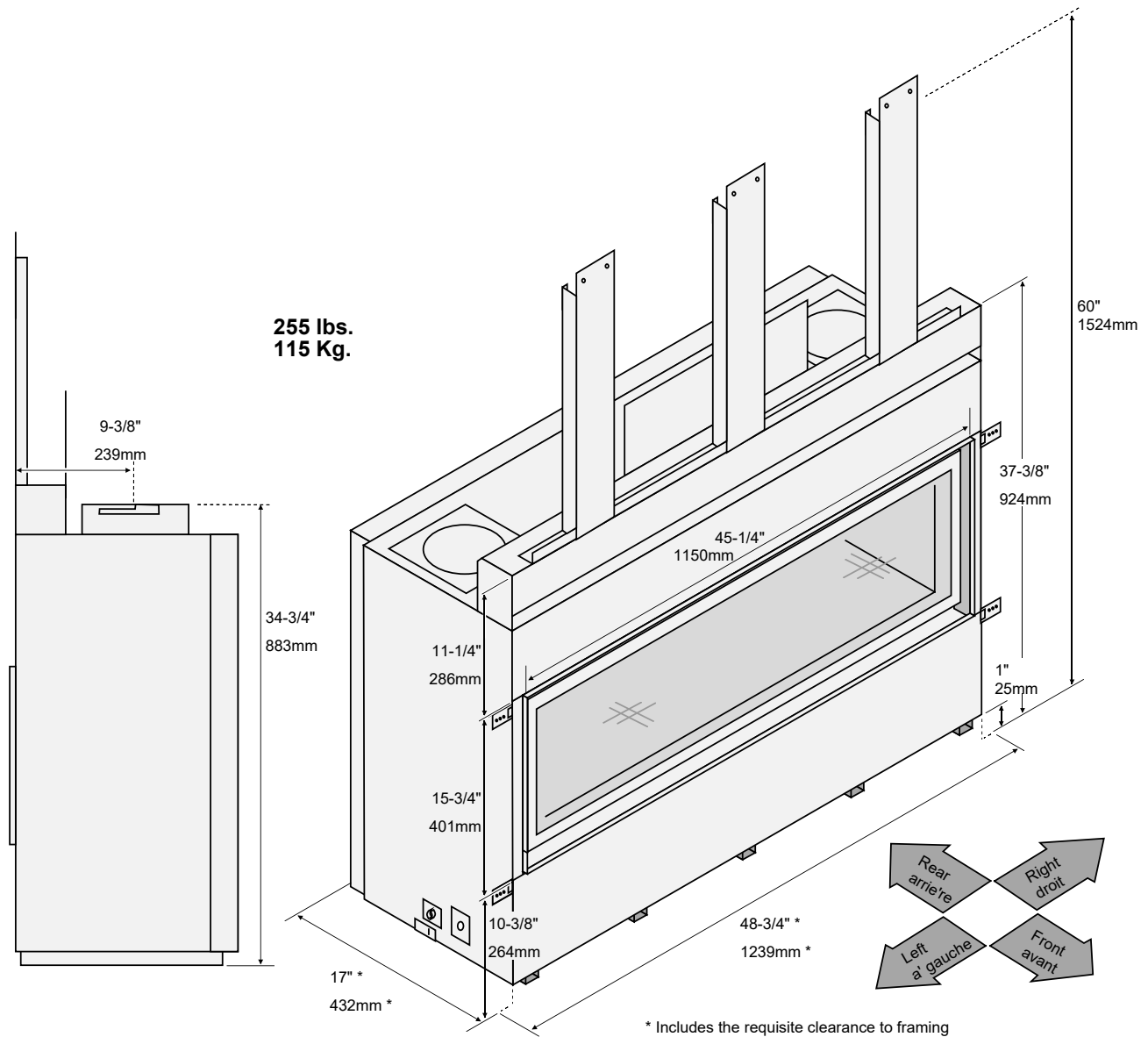
- Residential or Mobile Home
- Straight or Corner Placement
- Raised or Floor Placement
- Internal or External Chase
- Bedroom Approved

## Heating Specifications

	Natural Gas	Propane
Approximate Heating Capacity (in square meters)*	Up to 195	Up to 195
Maximum BTU Input Per Hour (MJ/H)	42.0	44.31

\* Heating capacity will vary with floor plan, insulation, and outside temperature.

## Dimensions



## Packing List

---

- Propane Conversion Kit
- Remote Control
- 4 AA Batteries, 3 AAA Batteries
- Glass Latch Tool
- (2) Firestops (8" Diameter)
- Non-Combustible Framing (3 pieces)
- Heat Shield

## Additional Items Required

---

- **If using LP (propane) a conversion kit is required (4-pack = 94400999, single = 250-01463).**
- Gas Line Equipment (shutoff valve, pipe, etc.)
- Electrical Equipment (min. 14 gauge, grounded line)
- **This Fireplace Requires Firebacks and 7 lbs. of 1/4" Crushed Glass**

<b><u>Firebacks</u></b>	96100971 Stainless Steel 96100972 Black Enamel 96100973 Black Painted 96100974 Ledgestone
<b><u>Crushed Glass</u></b>	94500580 Platinum (10 lbs.) 94500581 Bronze (10 lbs.) 94500582 Cobalt (10 lbs.) 94500583 Black (10 lbs.)

## Recommended Installation Procedure

---

- Frame the opening for the fireplace. Make sure to allow for vent installation.
- This fireplace is designed to accommodate 1/2" (13mm) drywall (see "Nailing Brackets" on page 12 for details). Secure the fireplace to the framing.
- Install the vent, gas line and electrical hook-up.
- Install the drywall.
- Install the hearth (if applicable).
- Install the facing (if applicable).
- Install the mantel (if applicable).
- Finalize the installation (see page 38).

### Fireplace Placement Requirements

- Fireplace must be installed on a level surface capable of supporting the fireplace and vent
- Fireplace must be placed directly on wood or non-combustible surface (not on linoleum or carpet)
- Fireplace should be located out of traffic and away from furniture and draperies.
- Fireplace must be placed so the gaps below and above the glass frame do not become blocked.
- Fireplace may be placed in a bedroom. Please be aware of the large amount of heat this appliance produces when determining a location.

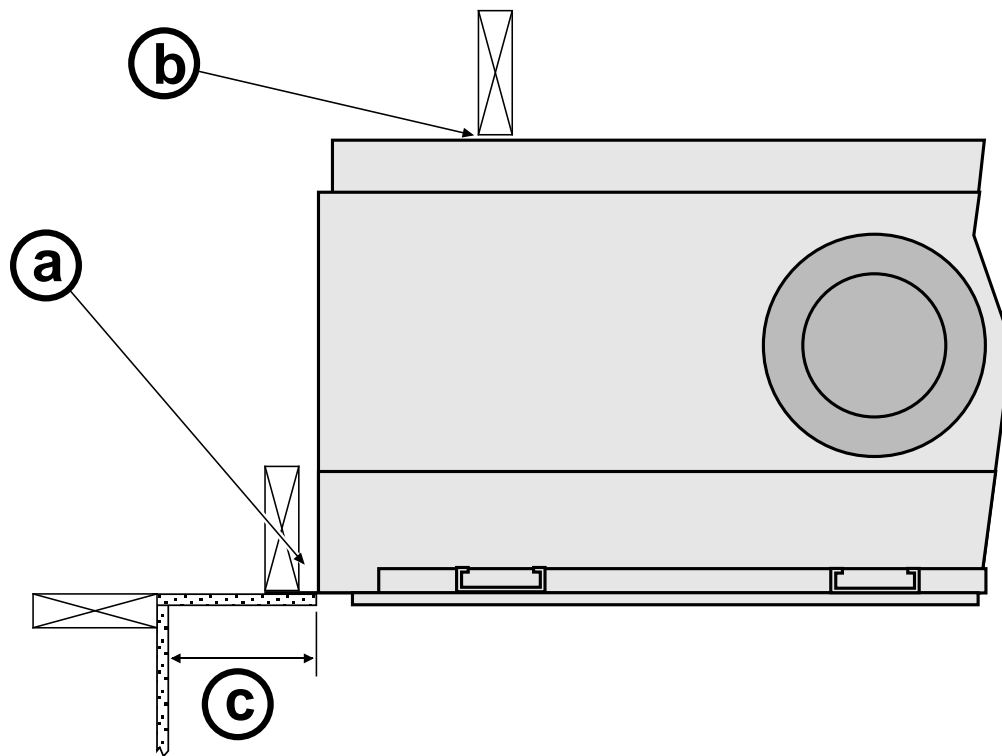
### Clearances

(a) Clearance to Side of Fireplace 5/8" (16mm). Do not place insulation in this space.

**NOTE:** Drywall (or other combustible) may contact the first 1/2" of the sides of the fireplace.

(b) Clearance to Back of Fireplace 1/8" (4mm). Do not place insulation in this space.

(c) When installed, walls in front of the fireplace must be a minimum 3" (77mm) to the side of the fireplace.



### Raised Fireplaces

- The fireplace (and hearth, if desired) may be placed on a platform designed to support the fireplace and vent.
- The base of the fireplace must be a minimum 60" below the room ceiling.



The firebox opening is approximately 10.375" (264mm) above the base of the fireplace. For a typical raised fireplace of 36" (915mm), place the fireplace on a platform 25.625" (651mm) tall.



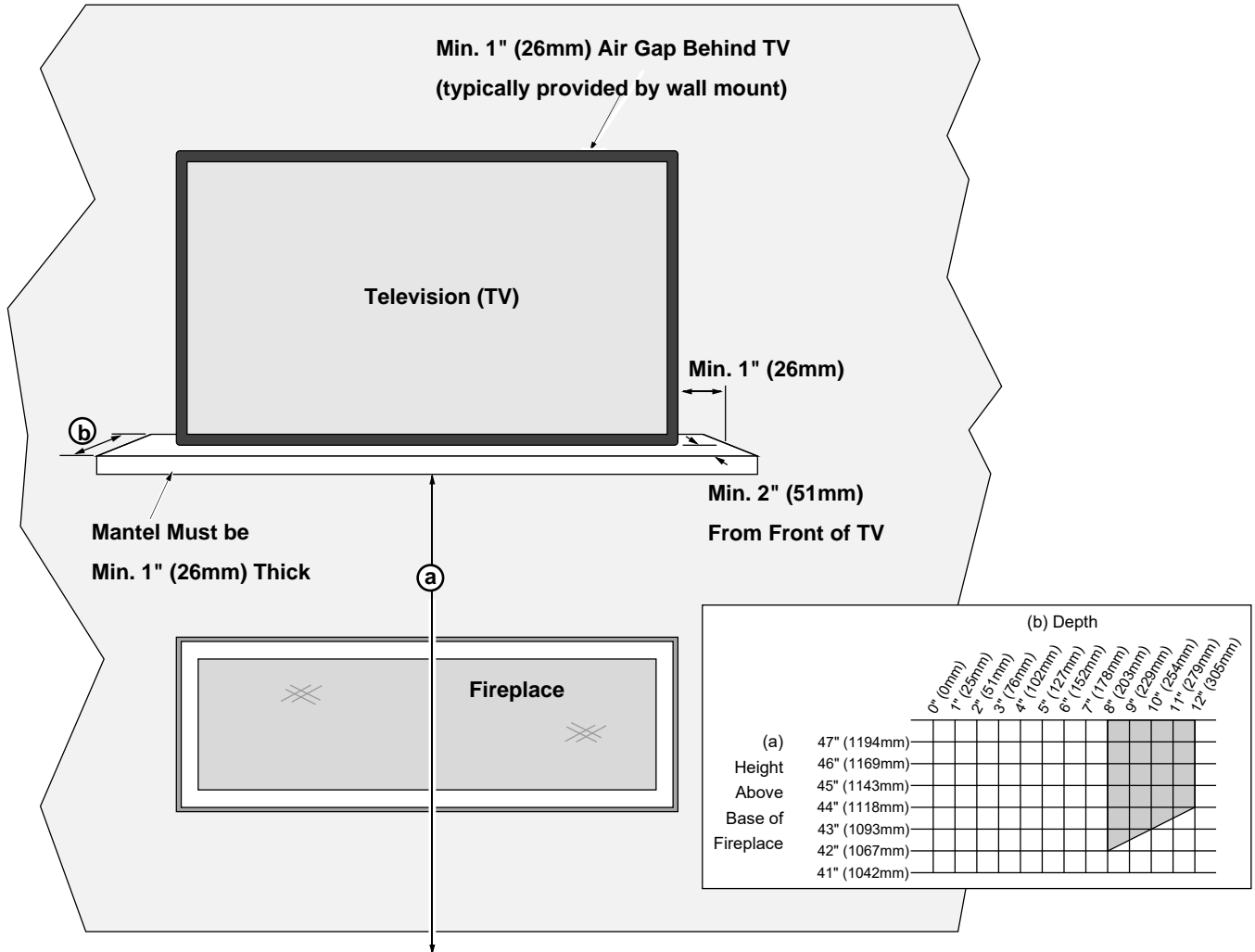
## Televisions Placed Above the Fireplace

The following section details three methods to allow for television installation above the fireplace.

### Using a Mantel Between the Fireplace and Television

**IMPORTANT NOTE REGARDING TELEVISIONS AND THIS FIREPLACE**

Most television manufacturers instruct the homeowner to not place the television above a heat source. Doing so may negatively affect the longevity of the television and may negate the warranty. If you do place a television above the fireplace, please be aware of the large amount of heat generated by the fireplace and consider placing the television above a mantel to reduce the amount of heat that reaches the television. The homeowner must understand that Travis Industries does not take responsibility for any negative impact to televisions placed near this fireplace.



**Minimum Dimensions:**

(a) Mantel Height above Base of Fireplace <b>Mantel must fall within shaded portion of the chart above.</b>	42" (1067mm) with 8" (203mm) mantel depth <b>See chart above if using a larger mantel.</b>
(b) Mantel Depth*	Minimum 8" (203mm)

\* **NOTE:** The minimum mantel depth is 8". This allows heat to travel forward and dissipate.

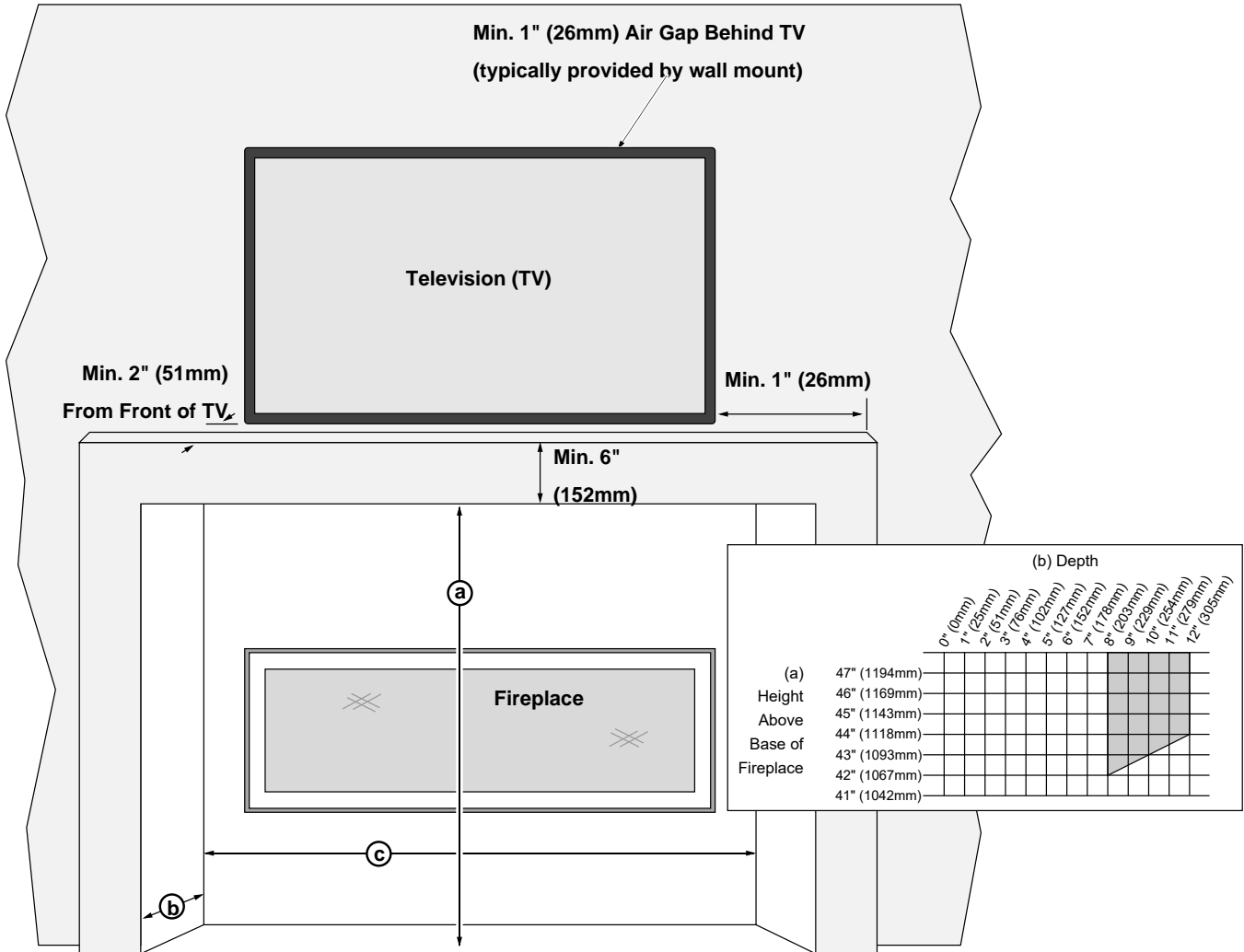
**EXAMPLES:** If you have a TV that is greater than 6" deep (including the 1" gap behind), you will need to alter the mantel depth and height. If your TV is 9" deep (including the 1" gap behind), the mantel should be 11" (this provides the necessary 2" recess for the TV). The 11" mantel would require a 43.5" (292mm) mantel height (see chart above).

**WIRING NOTE:** If running wiring into the enclosure, use thermal insulating wrap around the wiring. Secure the wiring to protect from contact with hot surfaces.

Using a Recessed Fireplace Below a Television

**IMPORTANT NOTE REGARDING TELEVISIONS AND THIS FIREPLACE**

Most television manufacturers instruct the homeowner to not place the television above a heat source. Doing so may negatively affect the longevity of the television and may negate the warranty. If you do place a television above the fireplace, please be aware of the large amount of heat generated by the fireplace and consider placing the television above a mantel to reduce the amount of heat that reaches the television. The homeowner must understand that Travis Industries does not take responsibility for any negative impact to televisions placed near this fireplace.



**Minimum Dimensions:**

(a) Fireplace Recess Height above Base of Fireplace <b>Recess must fall within shaded portion of the chart above.</b>	42" (1067mm) with 8" (203mm) recess depth <b>See chart above if using a larger recess.</b>
(b) Fireplace Recess Depth plus Mantel Depth*	Minimum 8" (203mm)
(c) Fireplace Recess Width	53.5" (1359mm)

\* **NOTE:** The minimum recess plus mantel depth is 8". This allows heat to travel forward and dissipate.

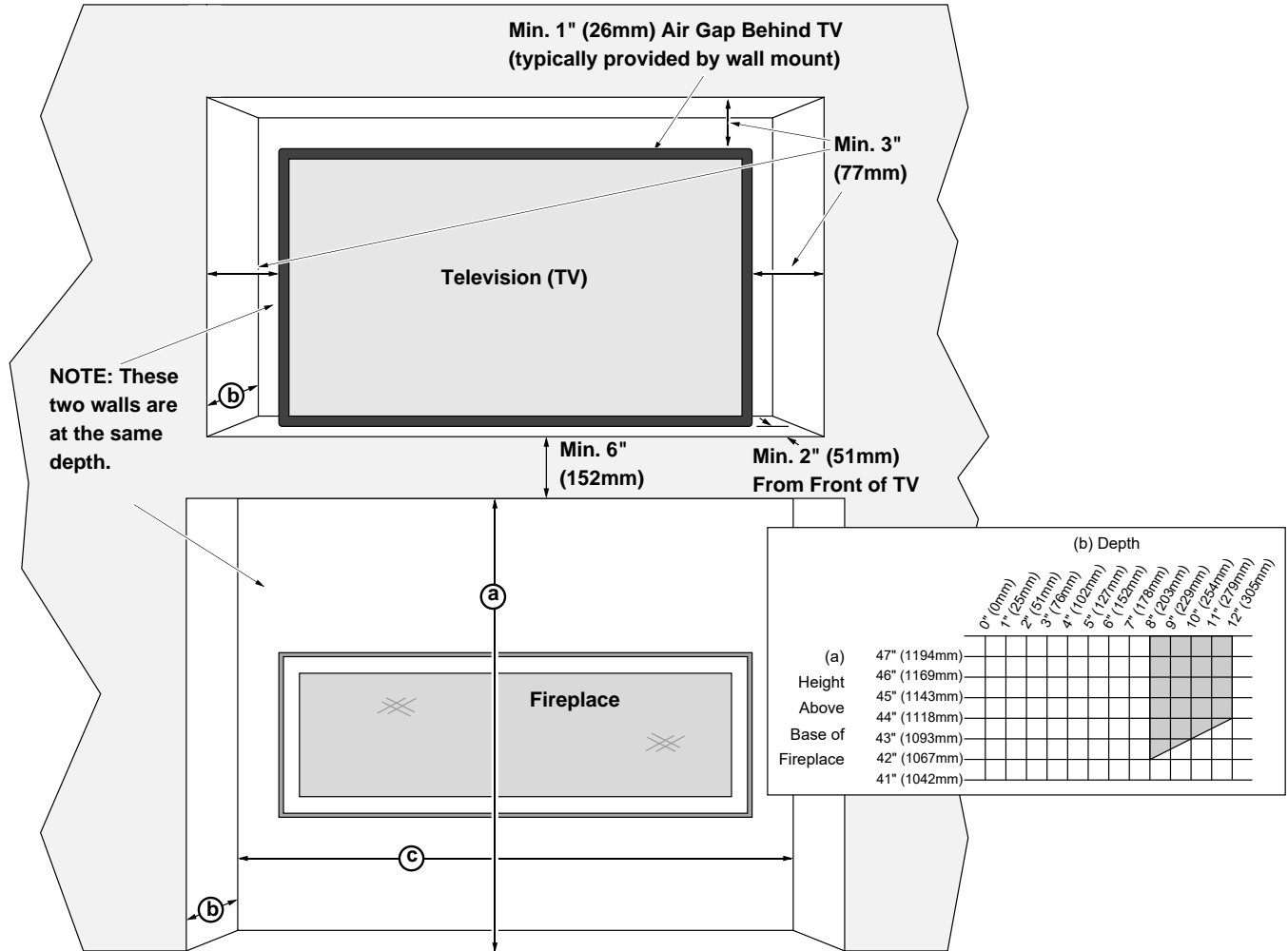
**EXAMPLES:** If you have a TV that is 3" deep (including the 1" gap behind), you will need to put in a 5" mantel (the 2" is measured from the front of the TV). The fireplace can then be recessed 3" into the wall to allow for the 8" of recess plus mantel depth.

**WIRING NOTE:** If running wiring into the enclosure, use thermal insulating wrap around the wiring. Secure the wiring to protect from contact with hot surfaces.

## Using a Recessed Fireplace with a Recessed Television

### IMPORTANT NOTE REGARDING TELEVISIONS AND THIS FIREPLACE

Most television manufacturers instruct the homeowner to not place the television above a heat source. Doing so may negatively affect the longevity of the television and may negate the warranty. If you do place a television above the fireplace, please be aware of the large amount of heat generated by the fireplace and consider placing the television above a mantel to reduce the amount of heat that reaches the television. The homeowner must understand that Travis Industries does not take responsibility for any negative impact to televisions placed near this fireplace.



### Minimum Dimensions:

(a) Fireplace Recess Height above Base of Fireplace <b>Recess must fall within shaded portion of the chart above.</b>	42" (1067mm) with 8" (203mm) recess depth <b>See chart above if using a larger recess.</b>
(b) Fireplace/TV Recess Depth*	Minimum 8" (203mm)
(c) Fireplace Recess Width	53.5" (1359mm)

\* **NOTE:** The minimum recess depth is 8". This allows heat to travel forward and dissipate.

**EXAMPLES:** If you have a TV that is greater than 6" deep (including the 1" gap behind), you will need to alter the fireplace recess depth and height. If your TV is 9" deep (including the 1" gap behind), the recess should be 11" (this provides the necessary 2" recess for the TV). The 11" recess would require a 43.5" (292mm) fireplace recess height (see chart above).

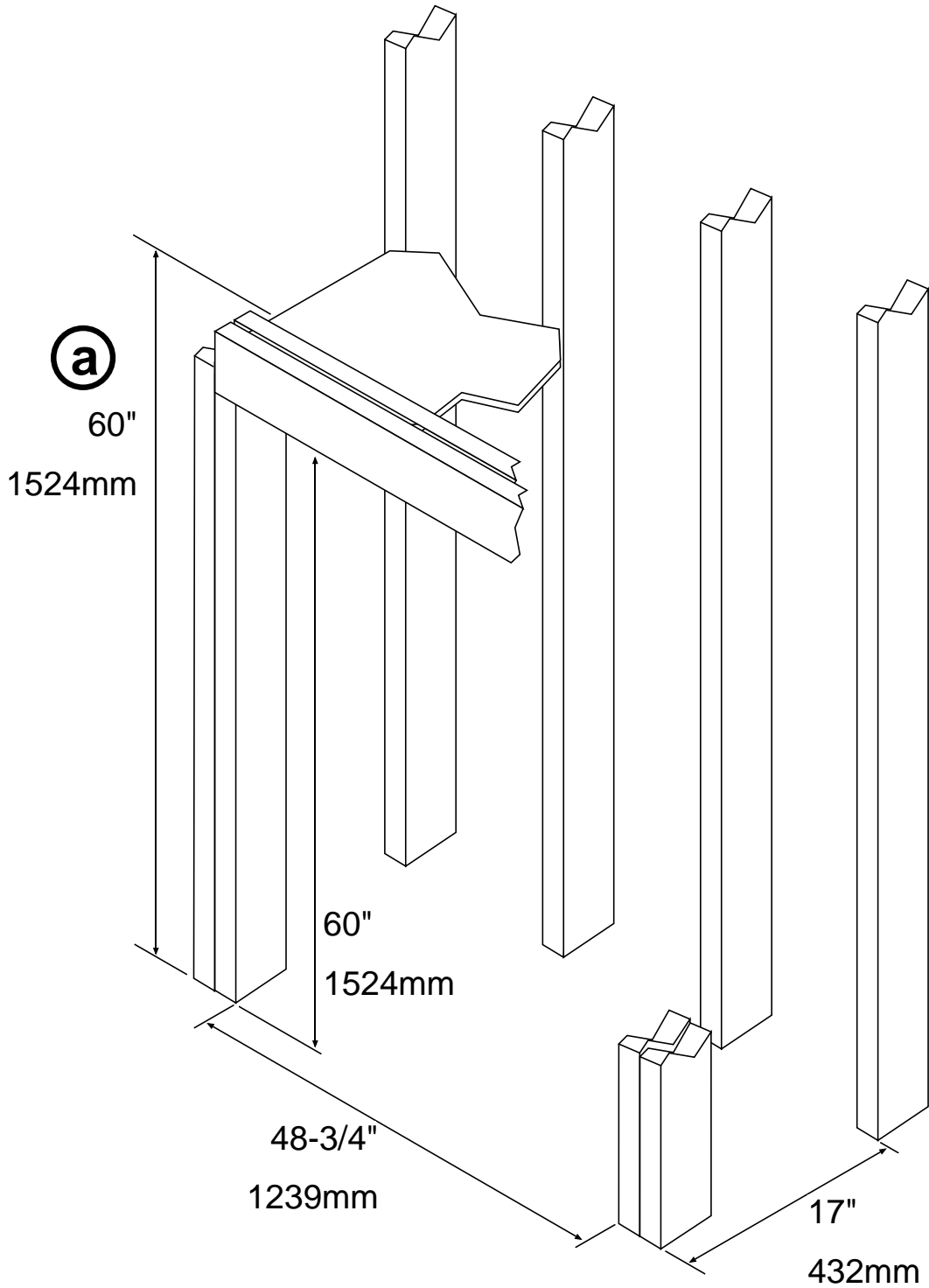
If you have a TV that is 3" deep (including the 1" gap behind), you will need to put in a 5" mantel (the 2" is measured from the front of the TV). The fireplace can then be recessed 3" into the wall to allow for the 8" of recess plus mantel depth.

**WIRING NOTE:** If running wiring into the enclosure, use thermal insulating wrap around the wiring. Secure the wiring to protect from contact with hot surfaces.

# 12

# Installation (for qualified installers only)

## Minimum Framing Dimensions



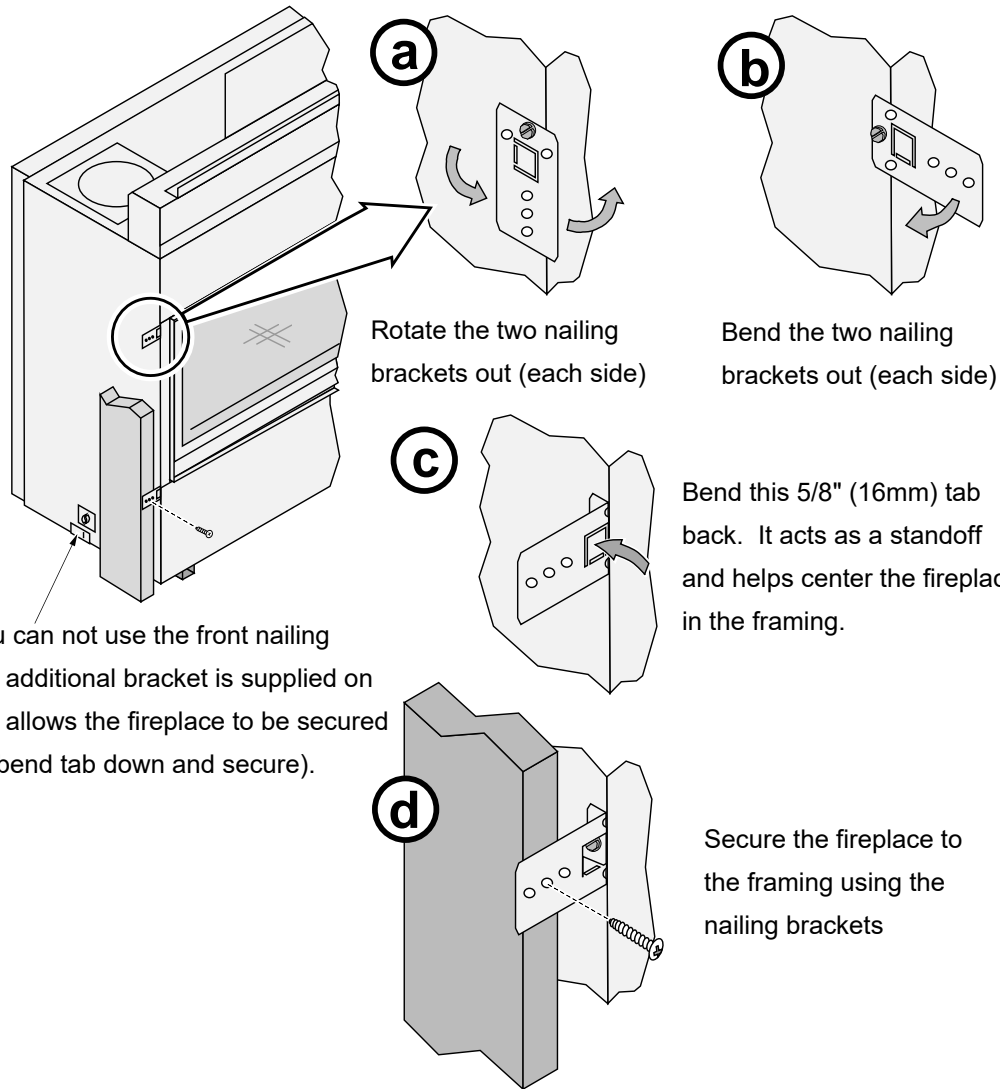
**(a)** The fireplace enclosure must be a minimum 60" tall (do not build into the fireplace enclosure)

## Nailing Brackets – Standard Install

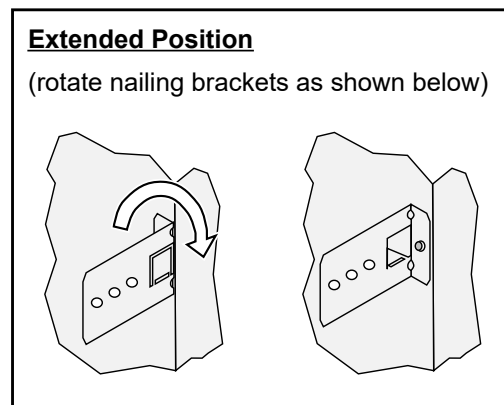
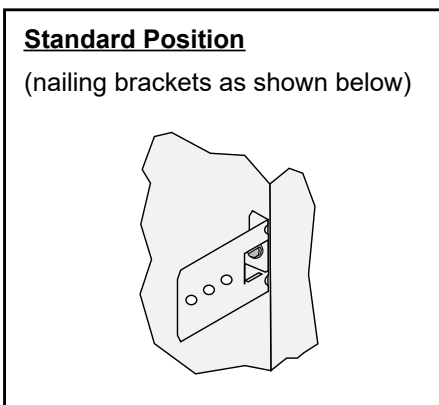
The fireplace has nailing brackets on both sides. Secure the fireplace to the framing.

**NOTE:** Make sure the fireplace is square and plumb when placed in the framing. Measured corner-to-corner the fireplace should be square. Use shims to insure the fireplace is square.

**NOTE:** The nailing brackets have two positions: standard and extended. See the section “Facing Requirements” for details on which position is best for your installation.



NOTE: if you can not use the front nailing brackets, an additional bracket is supplied on the side that allows the fireplace to be secured to the floor (bend tab down and secure).

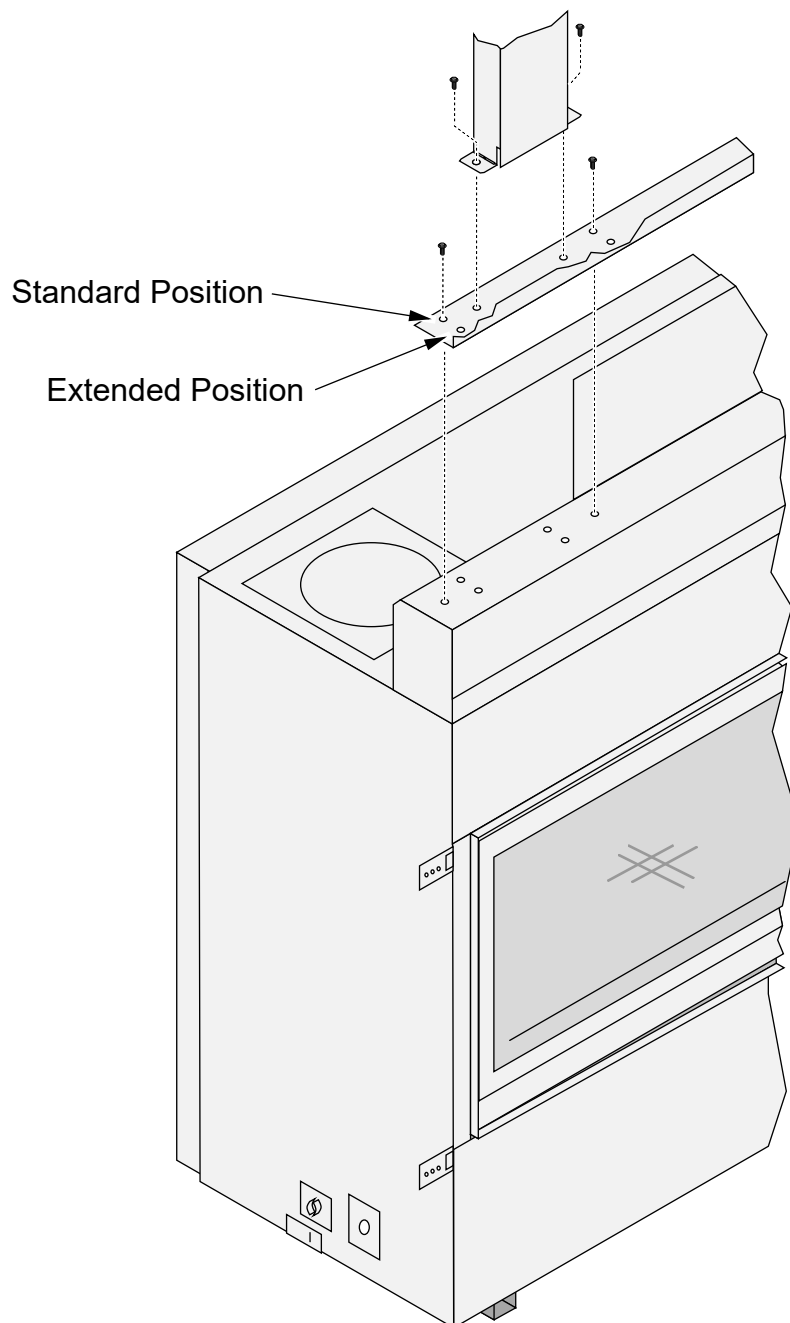


**Standard vs. Extended Position**

There are two positions that the standoff/heat shield assembly can be installed. The fireplace is shipped in the standard (forward) position.

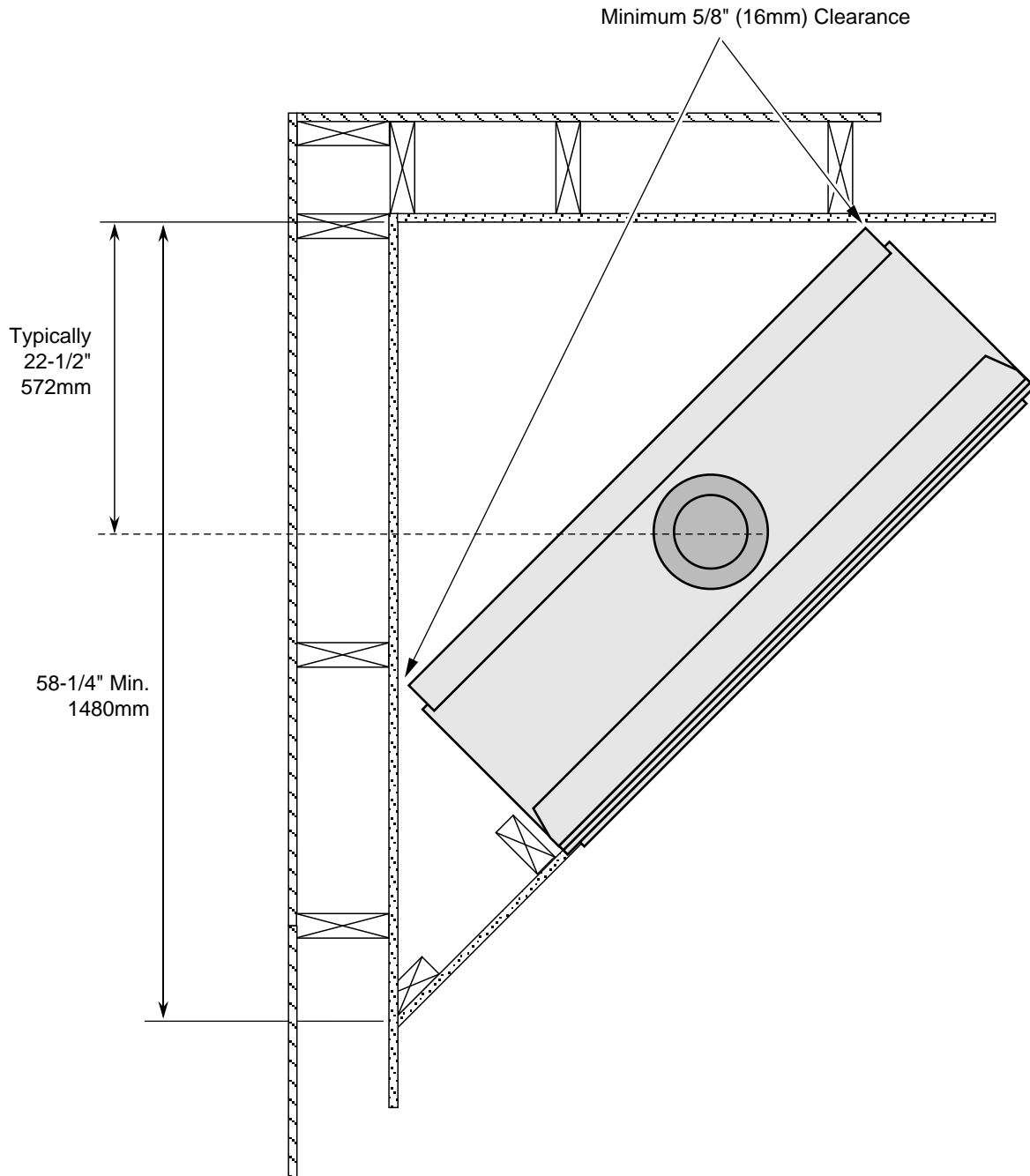
- If the unit is installed in the standard position no modification is needed.
- If the unit is being installed in the extended position, the drywall support/non-combustible framing must be repositioned back  $\frac{1}{2}$ " (see illustration below).

NOTE: see "Facing Requirements" for additional details about standard vs. extended installations.



## Corner Installations

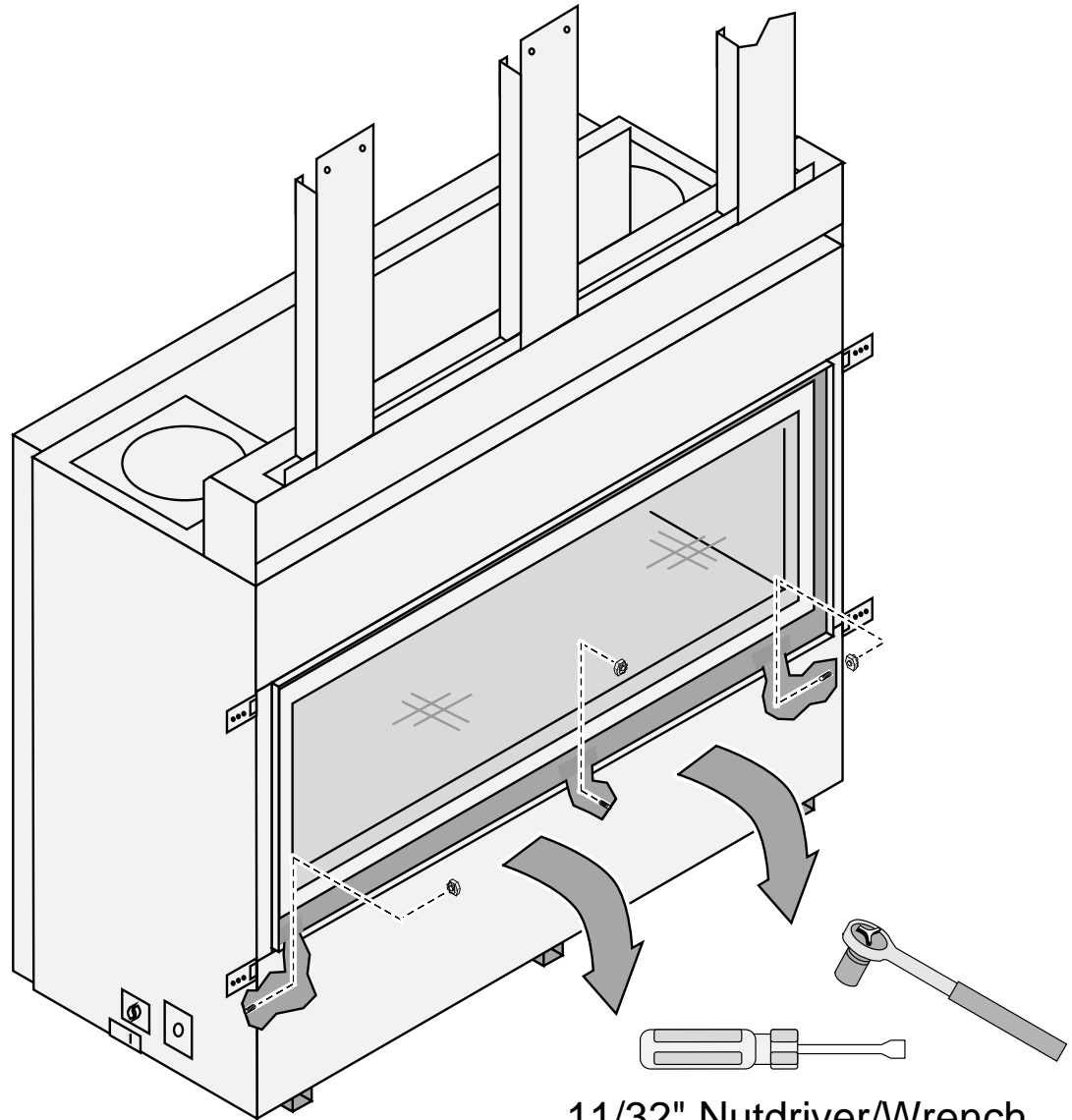
A typical 45° installation uses the framing dimensions shown in the illustration below (NOTE: all clearances still apply).



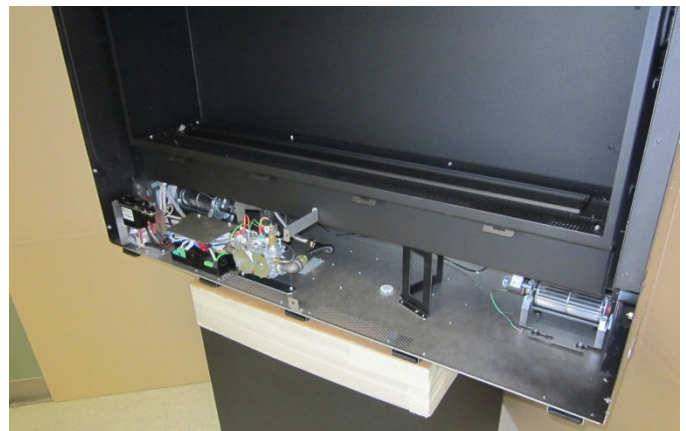
**Removing the Front Panel**

The front cover may be removed to access the components. This is required when relocating the electrical or gas inlet location. To remove the front cover

- (a) Remove the center nut.
- (b) Loosen the two outer nuts.
- (c) Rotate the front panel down.
- (d) Remove the front cover.



11/32" Nutdriver/Wrench





## Gas Line Requirements

### MASSACHUSETTS INSTALLATIONS - **WARNING:**

THIS PRODUCT MUST BE INSTALLED BY A LICENSED PLUMBER OR GAS FITTER WHEN INSTALLED WITHIN THE COMMONWEALTH OF MASSACHUSETTS.

#### OTHER MASSACHUSETTS CODE REQUIREMENTS:

- Flexible connector must not be longer than 36 inches.
- Shutoff valve must be a "T" handle gas cock.
- Only direct vent sealed combustion products are approved for bedrooms or bathrooms.
- Fireplace dampers must be removed or welded in the open position prior to the installation of a fireplace insert or gas log.
- A carbon monoxide (CO) detector is required in the same room as the appliance.

- The gas line must be installed in accordance with all local codes and the requirements listed below. In the absence of local codes, follow ANSI 223.1 in US/Canada or AS/NZS 5601.1 in Australia.
- The fireplace and gas control valve must be disconnected from the gas supply piping during any pressure testing of that system at test pressures in excess of 1/2 psig (3.5 kPA). For pressures under 1/2 psig (3.5 kPA), isolate the gas supply piping by closing the manual shutoff valve.
- Leak test all gas line joints and the gas control valve prior to and after starting the fireplace.
- This unit has been listed using the included internal gas shutoff valve.

## Fuel

- This fireplace is designed either for natural gas or for propane (but not for both).

## Gas Line Connection

- Installation must be performed by a qualified installer, service agency or the gas supplier (In Massachusetts a licensed plumber/gasfitter).

### Gas Inlet Pressure

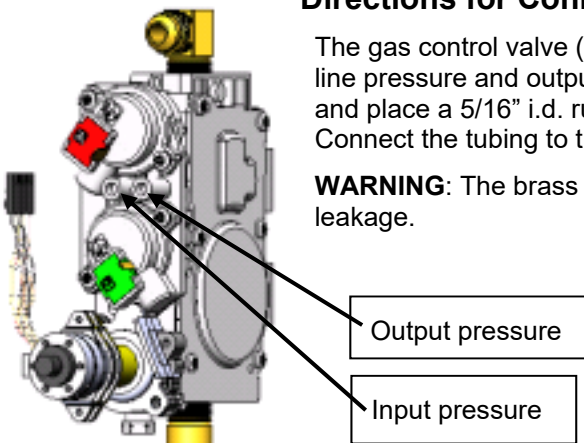
	Maximum Input Pressure	Minimum Input Pressure	Manifold Pressure on "HI"
Natural Gas	1.74 kPA	1.13 kPA	0.94 kPA
Propane	3.24 kPA	2.74 kPA	2.2 kPA

- If the pressure is not sufficient, make sure the piping used is large enough, the supply regulator is adequately adjusted, and the total gas load for the residence does not exceed the amount supplied.
- The supply regulator (the regulator that attaches directly to the residence inlet or to the propane tank) should supply gas at the input pressure listed above. Contact the local gas supplier if the regulator is at an improper pressure.

### Directions for Connecting a Gas Pressure Test Gauge

The gas control valve (shown to the left) has two accessible ports for testing line pressure and output pressure. Loosen the brass screw on either test port and place a 5/16" i.d. rubber or plastic tubing over the tapered test port. Connect the tubing to the test gauge.

**WARNING:** The brass screw must be tightened after testing to prevent gas leakage.



# 18

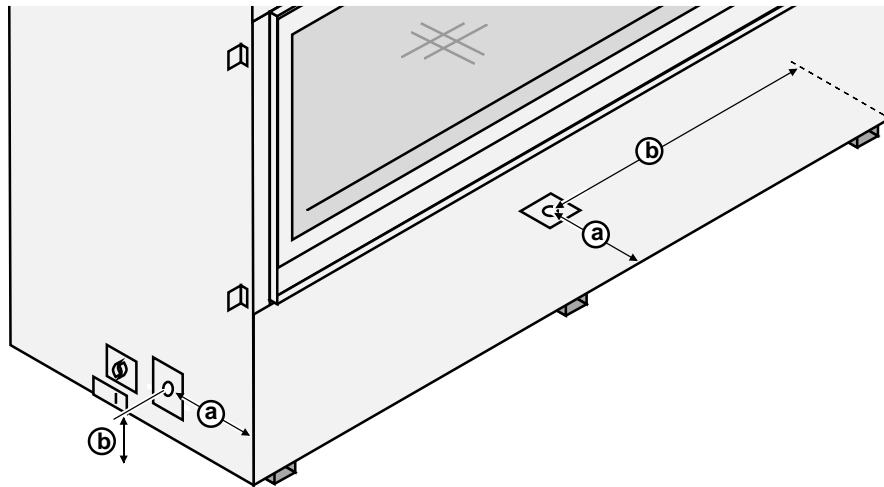
# Installation (for qualified installers only)

## Gas Line Location

**NOTE FOR RIGID PIPE:** When using rigid pipe, you may wish to disconnect the shutoff valve from the fireplace and route the pipe through the fireplace wall. First, disconnect the gas line from the shutoff valve (see step 1 below). Then remove the shutoff valve from the cover plate (4 screws outside fireplace). The pipe may be routed through the cover plate and the shutoff valve and gas line may be re-attached inside the fireplace.

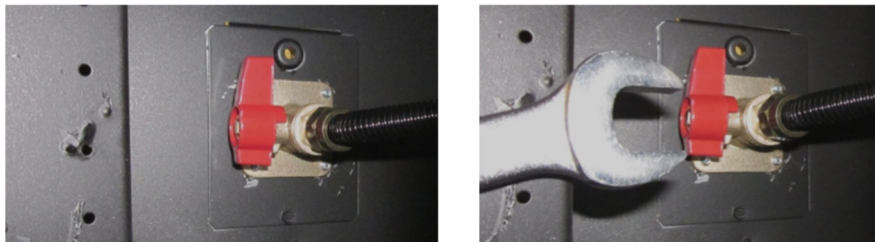
Gas line may be plumbed from the left side (stock) or below. See illustration and table below to determine gas line location.

	a	b
Left Side Gas Line Location (Stock)	6-7/8" (175mm)	4-1/8" (105mm)
Baseplate Gas Line Location	6-3/4" (172mm)	20-3/8" (518mm)

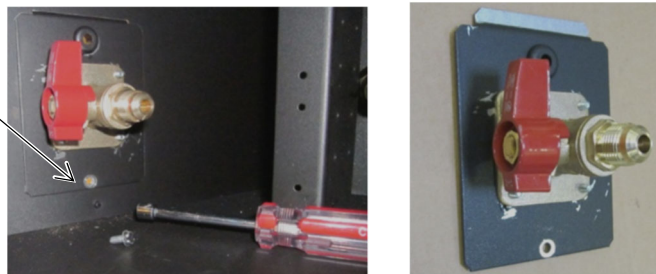


### Relocating the Gas Line to the Baseplate

1. Disconnect the gas line from the shutoff valve (3/4" wrench). Gas line is located inside the fireplace on the left side.



2. Remove the screw that holds the shutoff valve plate in place (1/4" nutdriver). Remove the shutoff valve plate.



3. Remove the cover plate from the bottom of the fireplace (it is held in place in the same fashion as the shutoff valve plate). Attach it to the left side of the fireplace.
4. Attach the shutoff valve plate to the bottom of the fireplace. Route the gas line to the bottom and re-attach the gas line to the shutoff valve. Make sure to leak test the entire gas line.

## Electrical Connection

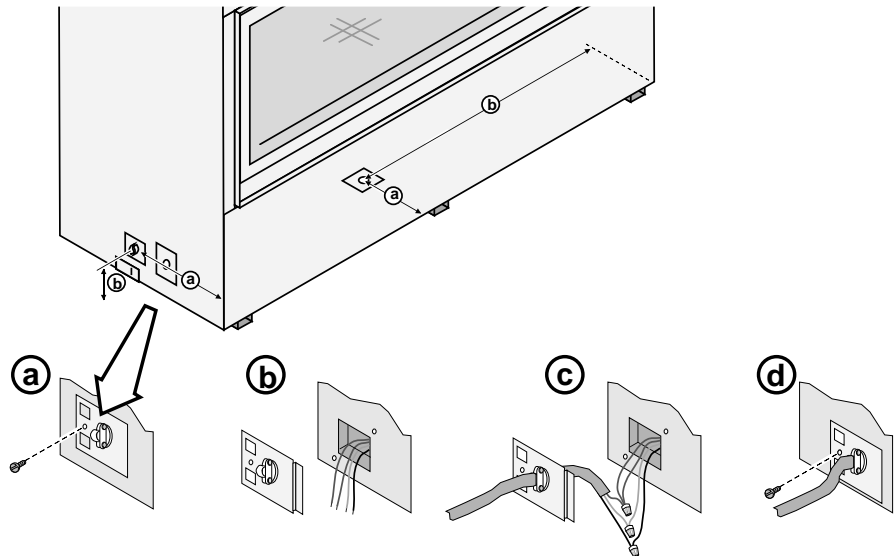
- The electrical line to the grounded receptacle inside the fireplace must be installed by a qualified installer and must meet all local codes.
- Make sure the household breaker is shut off prior to working on any electrical lines.
- The appliance, when installed, must be electrically grounded in accordance with local codes or, in the absence of local codes, with the National Electrical Code, ANSI/NFPA 70, or the Canadian Electrical Code, CSA C22.1.
- The electrical line must be a min. 14 gauge, and supply 240 Volts, 50 Hz, and 3 Amps.
- Route the electrical connection through the junction box cover plate and attach to the hookup wires pictured below.

**Caution:** Label all wires prior to disconnection when servicing controls. Wiring errors can cause improper and dangerous operation.



Do not connect 240 VAC to the gas control valve or wiring system of this fireplace.

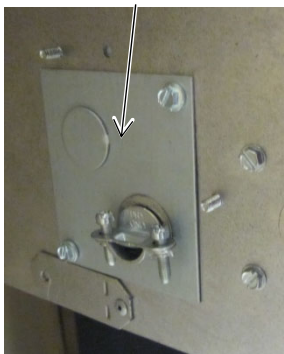
	a	b
Left Side Electrical Location (Stock)	9-1/2" (242mm)	4" (102mm)
Baseplate Electrical Location	6-7/8" (175mm)	27-5/8" (702mm)



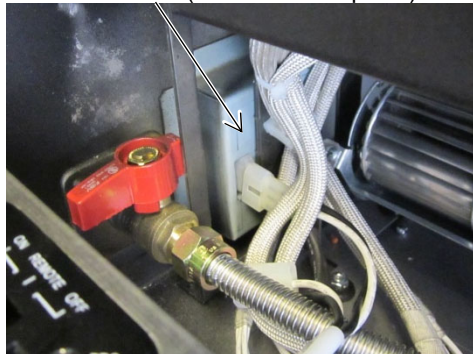
### Relocating the Electrical Line to the Baseplate

Remove the front panel (see page 16). Remove the junction box from the left side (keep the screws). Remove the cover plate from the baseplate (keep the screws). Attach the junction box to the baseplate (make sure all wiring is kept from contacting hot or moving components). Attach the cover plate to the left side.

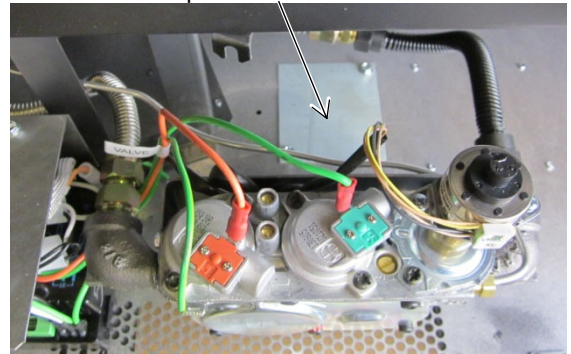
Junction Box



Junction Box (from inside fireplace)



Baseplate Cover Plate



## Vent Requirements

- The gas appliance and vent system must be vented directly to the outside of the building, and never be attached to a chimney serving a separate solid fuel or gas-burning appliance. Each direct vent gas appliance must use its own separate vent system.
- In addition to the requirements listed here, follow the requirements provided with the vent.

## Vent Clearances

- The vent must maintain the required clearance to combustible materials to prevent a fire. Do not fill air spaces with insulation.

### Minimum Vent Configurations (see page 26)

Minimum Clearance Above Vent	4" (104mm)
Minimum Clearance to Sides & Below Vent	1" (25mm)

NOTE: Make sure to use the included firestops with this configuration.

### All Other Vent Configurations

Minimum Clearance to Vent	1" (25mm)
---------------------------	-----------

## Vent Firestop

- A firestop is required whenever the vent penetrates a wall, floor, or ceiling (passes through framing members).

## Altitude Considerations

- This heater has been tested at altitudes ranging from sea level to 6,000 feet (1800 M). In this testing we have found that the heater, with its standard orifice, burns correctly with just an air shutter adjustment.
- Failure to adjust the air shutter properly may lead to improper combustion which can create a safety hazard. Consult your dealer or installer if you suspect an improperly adjusted air shutter.

## Approved Vent

- Always use the high-wind cap. The **high-wind scone cap is not allowed**.
- Installation instructions for Simpson Dura-Vent may be found at [www.duravent.com](http://www.duravent.com).

### Minimum Vent Configurations (see page 26)

Use 8" diameter Simpson Dura-Vent Model Direct-Vent Pro (or GS)\*.

### All Other Vent Configurations

Use 8" or 6-5/8" diameter Simpson Dura-Vent Model Direct-Vent Pro (or GS)\* (see vent configuration for details).

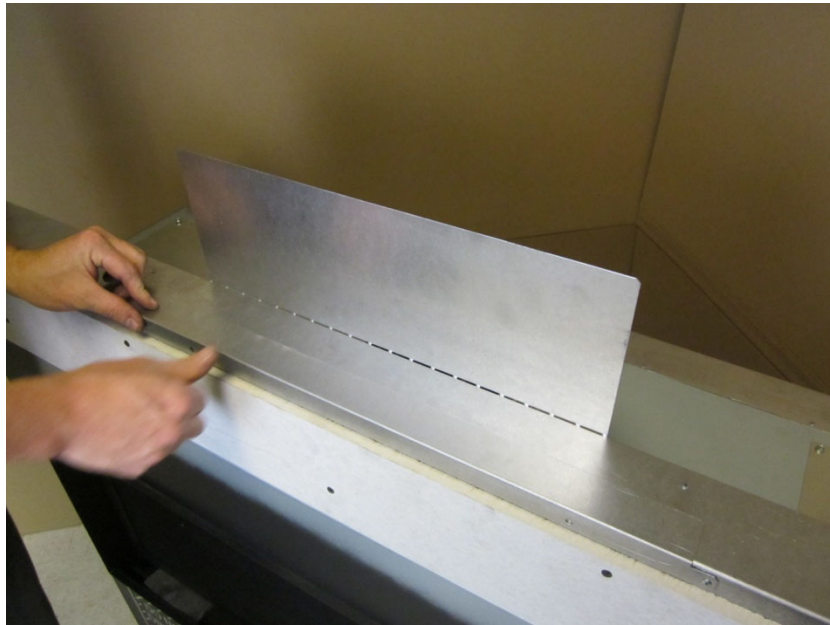
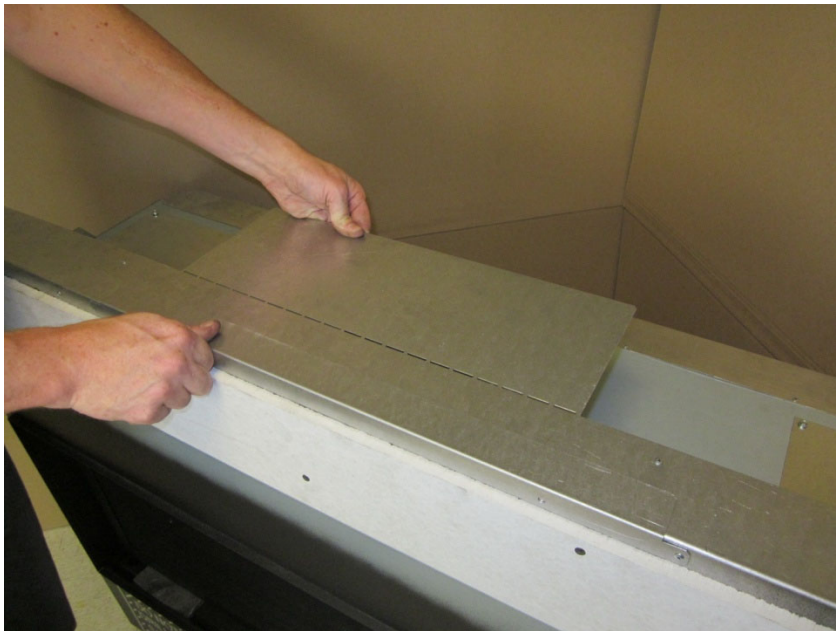
\* Other vent may be approved with this fireplace. Check with the vent manufacturer for details).

## Vent Installation

- Slide the vent sections together and turn 1/4 turn until the sections lock in place.
- Screws are not required to secure the vent. However, three screws may be used to secure vent sections together if desired.
- High temperature sealant is recommended at the appliance starter section connection (use high-temperature silicone or Mill-Pac®).
- If disassembly is required, at time of re-assembly check to see if the vent creates a tight fit. If it does not, apply high temperature sealant to the joints of the affected sections.
- Horizontal sections require a 1/4" (6mm) rise every 12" (305mm) of travel.
- Horizontal sections require non-combustible support every three feet (e.g.: plumbing strap).

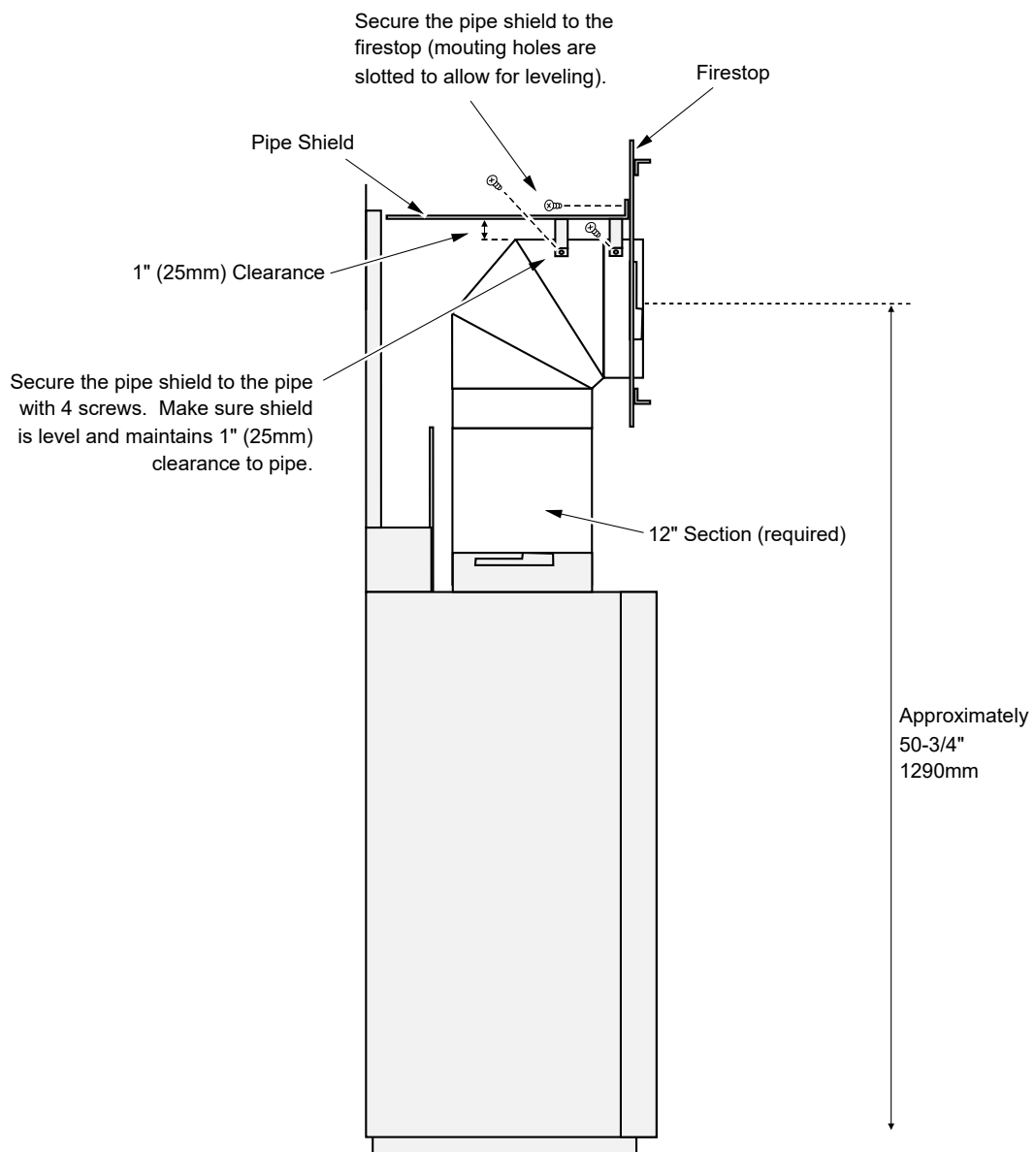
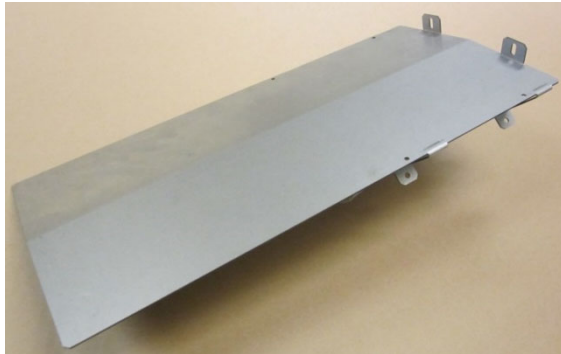
## Vertical Pipe Shield

The vertical pipe shield must be bent to a vertical position after the fireplace is in position.



Minimum Vent Pipe Shield – Used for Minimum Vent Applications Only

The minimum vent pipe shield is required when running minimum vent configurations (see page 26). The shield is shipped with the fireplace loose and must be installed as shown below.



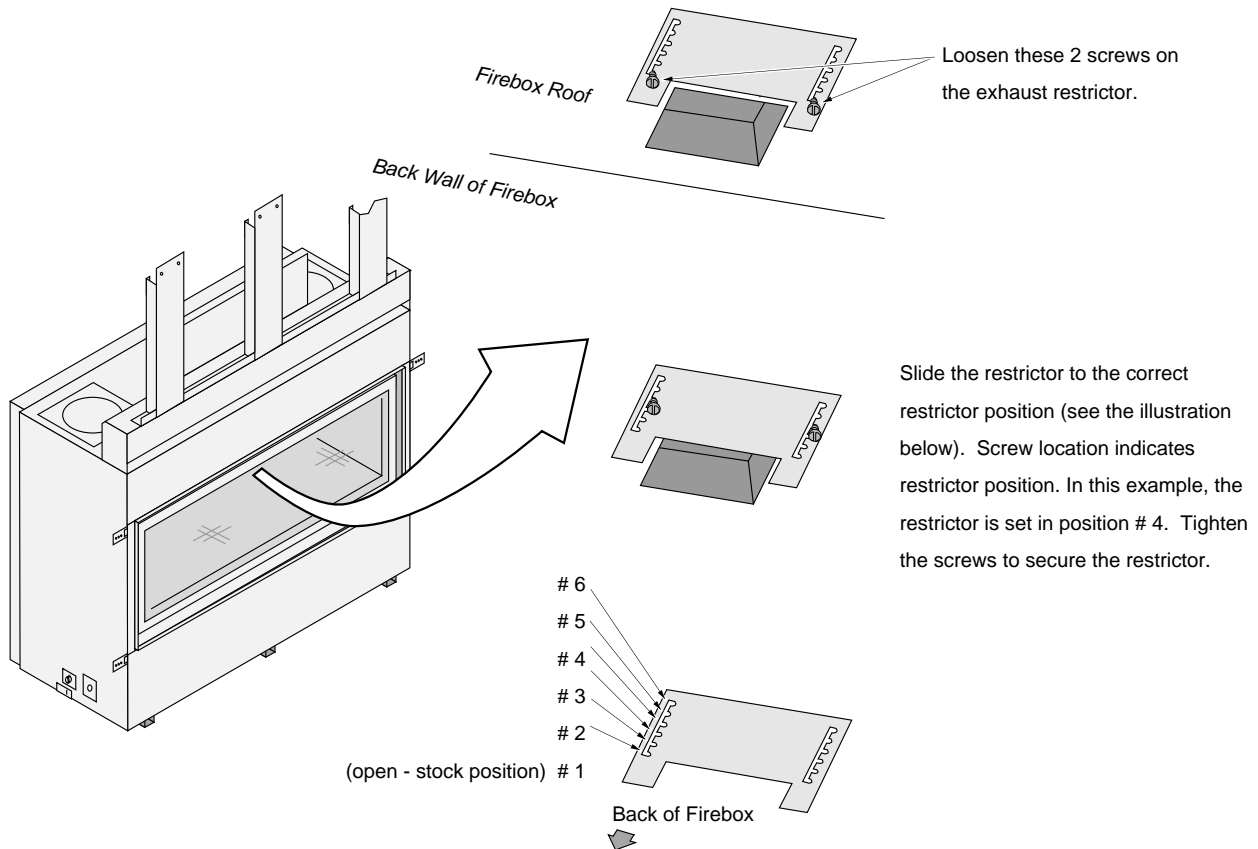
## Approved Vent Configurations

### Restrictor Position

- Intake and exhaust restrictors are built into the appliance to adjust the flow rate of intake air and exhaust gases. Depending upon the vent configuration, you may be required to adjust the restrictor positions. The charts for vent configurations detail the correct vent restrictor positions.

### Exhaust Restrictor

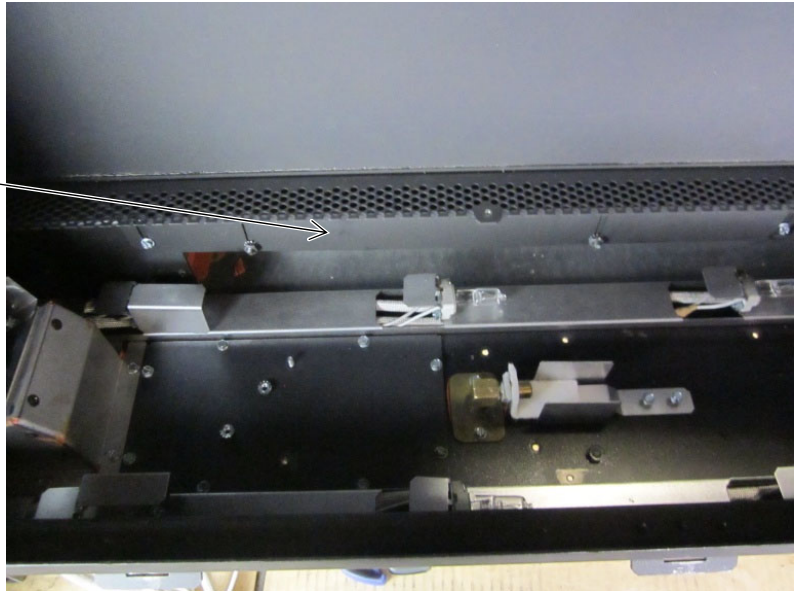
**NOTE:** Certain vent configurations call for exhaust restrictor removal (position # 0). If this is the case, remove the exhaust restrictor and replace the attachment screws in the firebox ceiling.



## Intake Restrictor

The intake restrictor is accessed by removing the burner (see LP Conversion Instructions on page 47 for details). The intake restrictor is shipped in the open position (position # 1). Follow the directions below to change the intake restrictor to position # 2 or # 3.

The intake restrictor is located behind the burner, on the rear wall of the firebox.

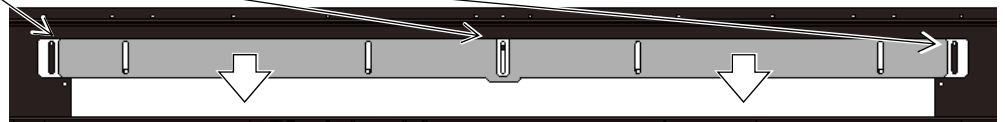


### Position # 1 (stock - open)



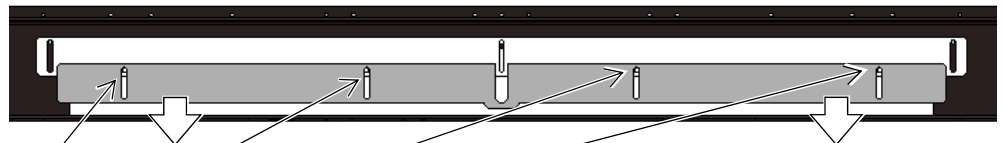
### Position # 2

Loosen the three screws shown to the right (1/4" nutdriver). Then slide the restrictor down and re-tighten the screws.



### Position # 3

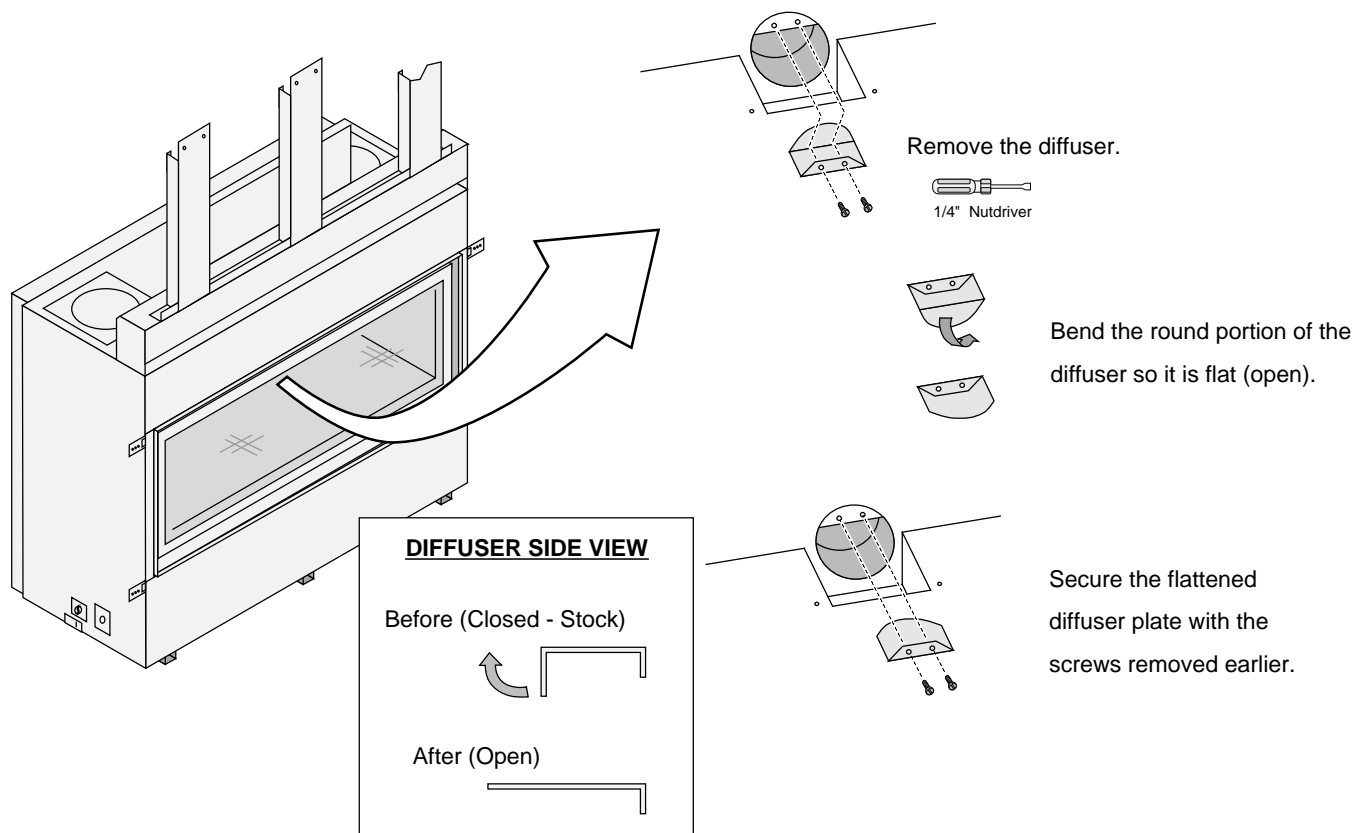
Follow the directions above for position # 2. Then loosen the four nuts shown to the right (11/32" nutdriver). Then slide the restrictor extension down and re-tighten the nuts.





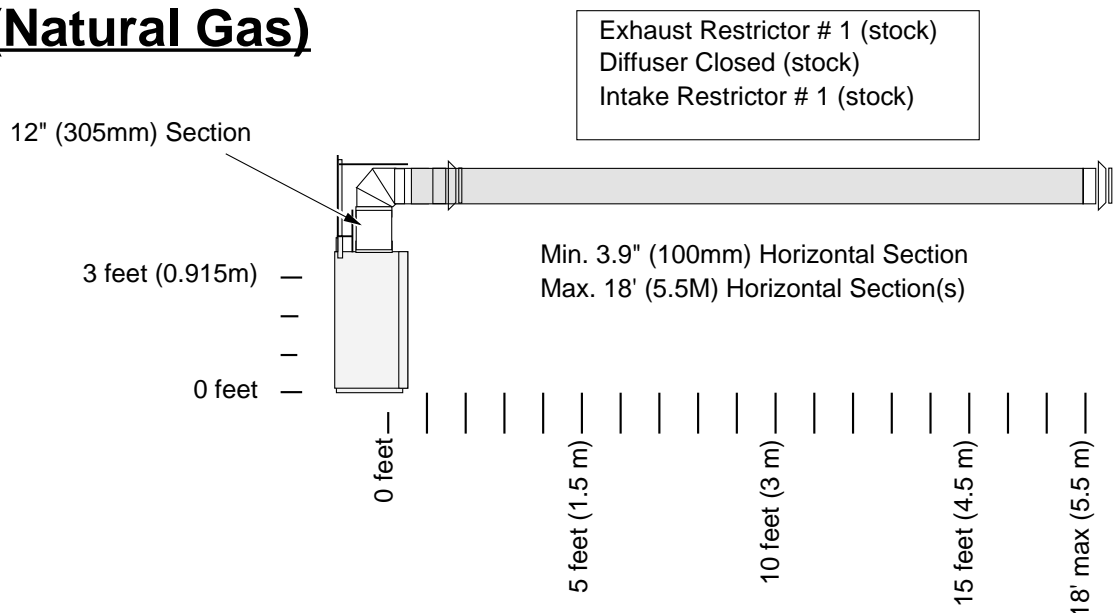
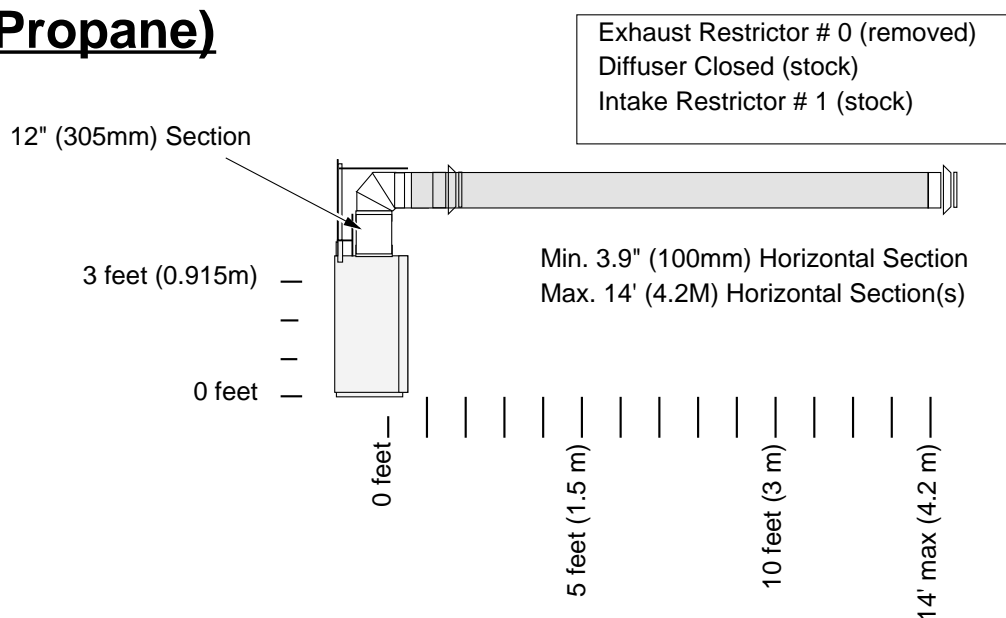
## Diffuser

The diffuser is located inside the inner flue assembly (accessed by removing the exhaust restrictor).



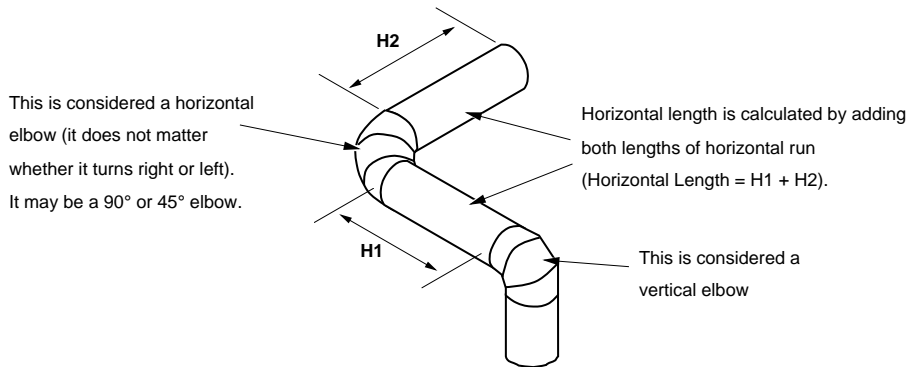
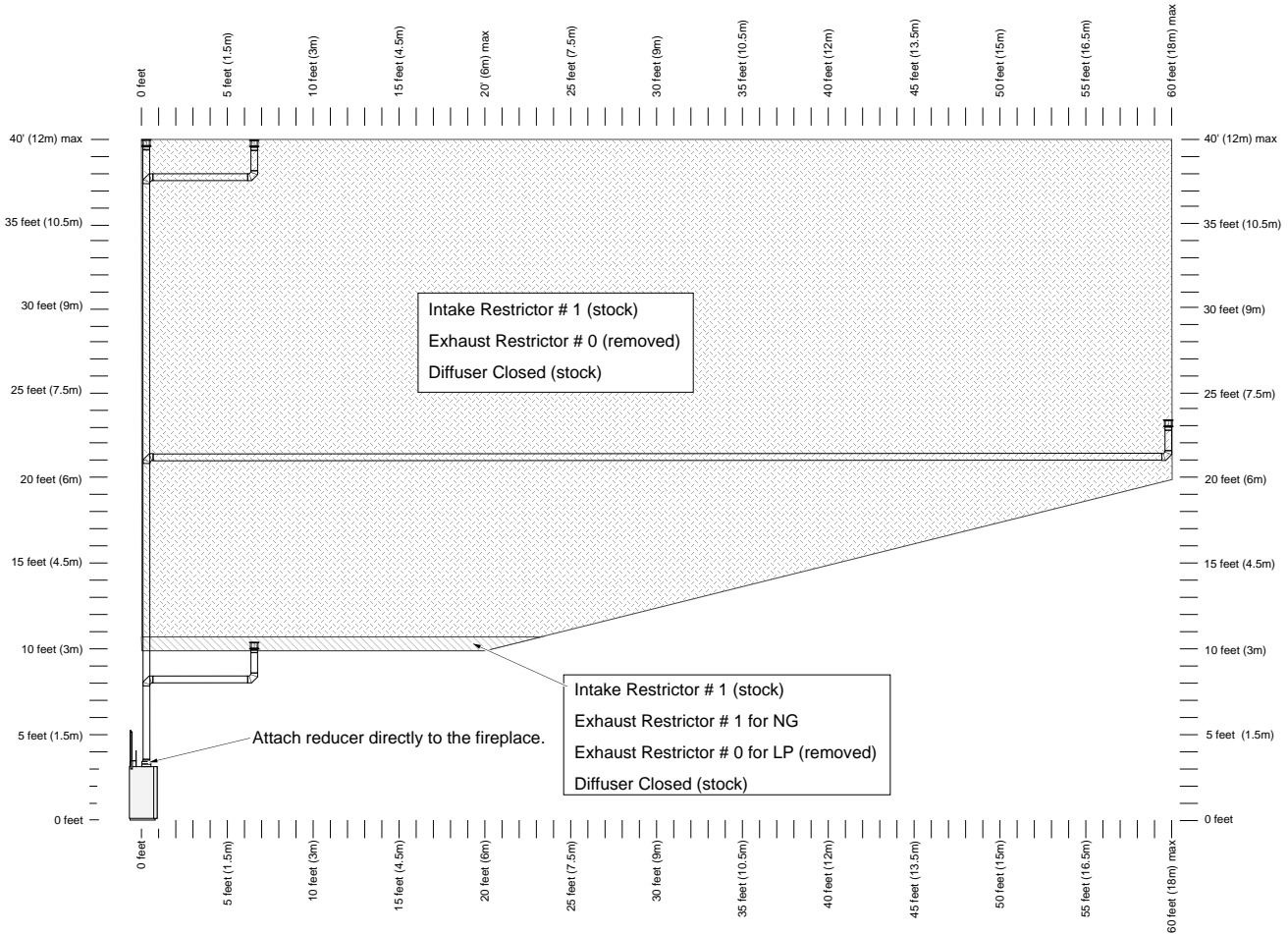
**Minimum Vent Configuration**

- **Use 5x8" Diameter Coaxial Vent**
- **NOTE:** Use the included pipe shield and both 8" firestops (use on front and back of wall penetration).
- The termination must fall within the shaded area shown in the chart. Use the indicated restrictor positions.
- One 45° elbow may be used on the horizontal run.
- **HINT:** Use minimum vent kit "H" (96200332) from Travis Industries (additional vent may be required).

**NG (Natural Gas)****LP (Propane)**

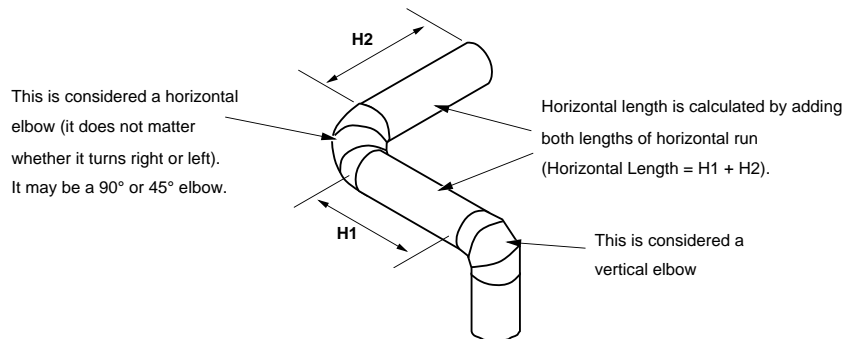
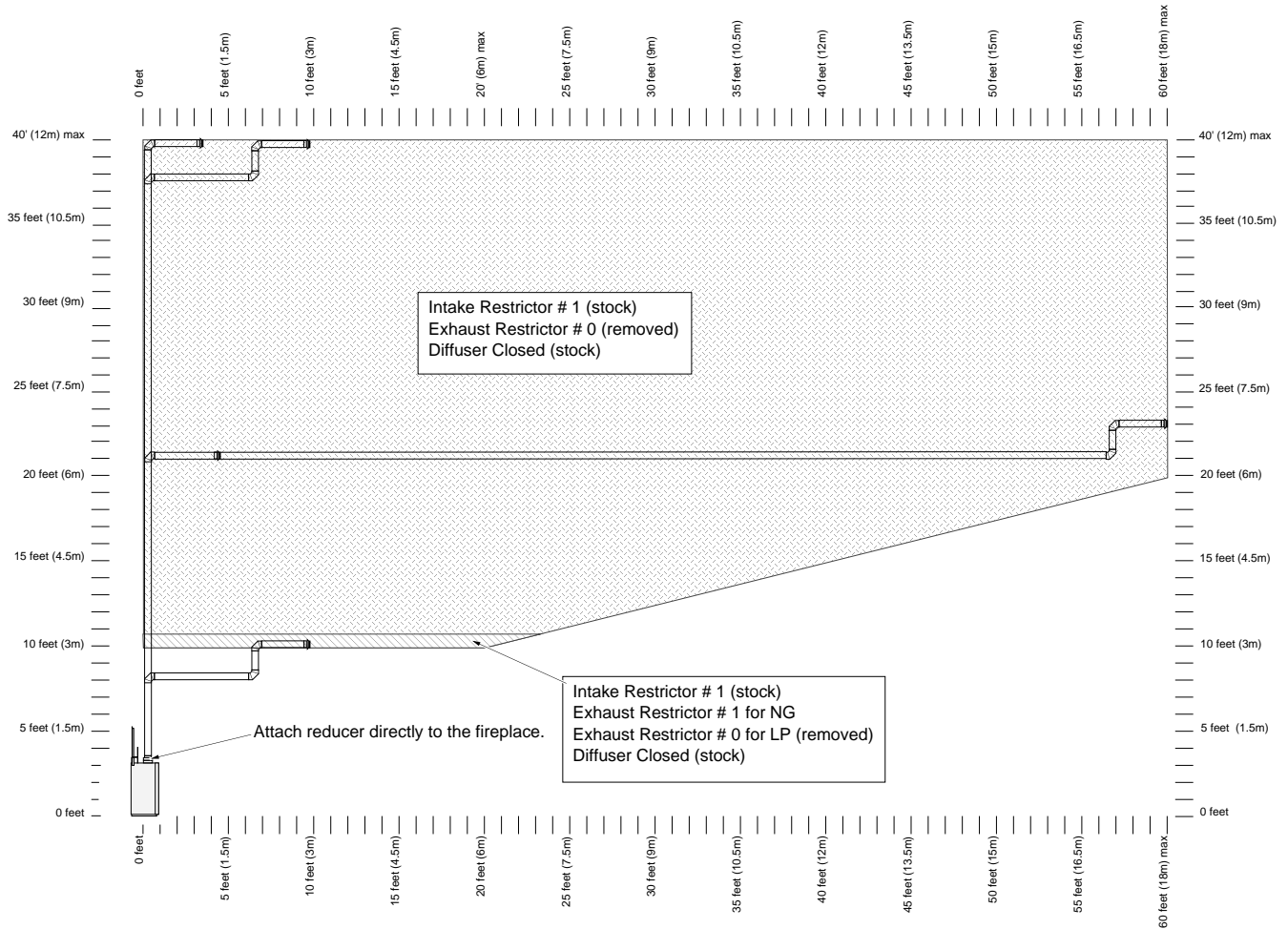
## Vent Configuration: Vertical Termination

- **Use 4x6-5/8" Diameter Coaxial Vent. Connect a 8" to 6-5/8" reducer directly to the fireplace (sku 98900165).**
- **NOTE:** The included pipe shield is not required and may be discarded. The included firestops may be discarded.
- The termination must fall within the shaded area shown in the chart. Use the indicated restrictor positions.
- Up to five elbows (45° or 90°) may be used. Only one horizontal elbow may be used.



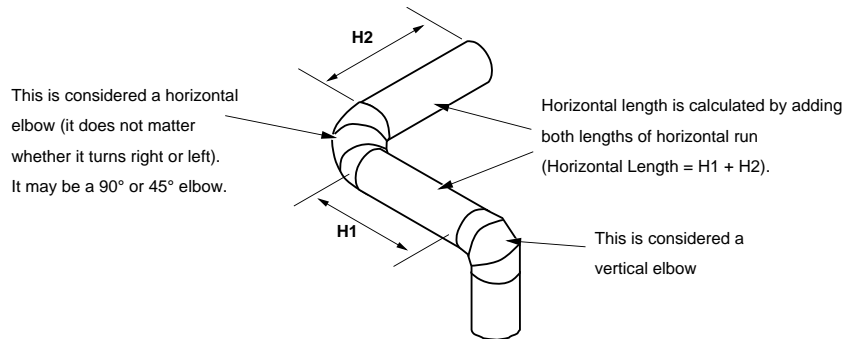
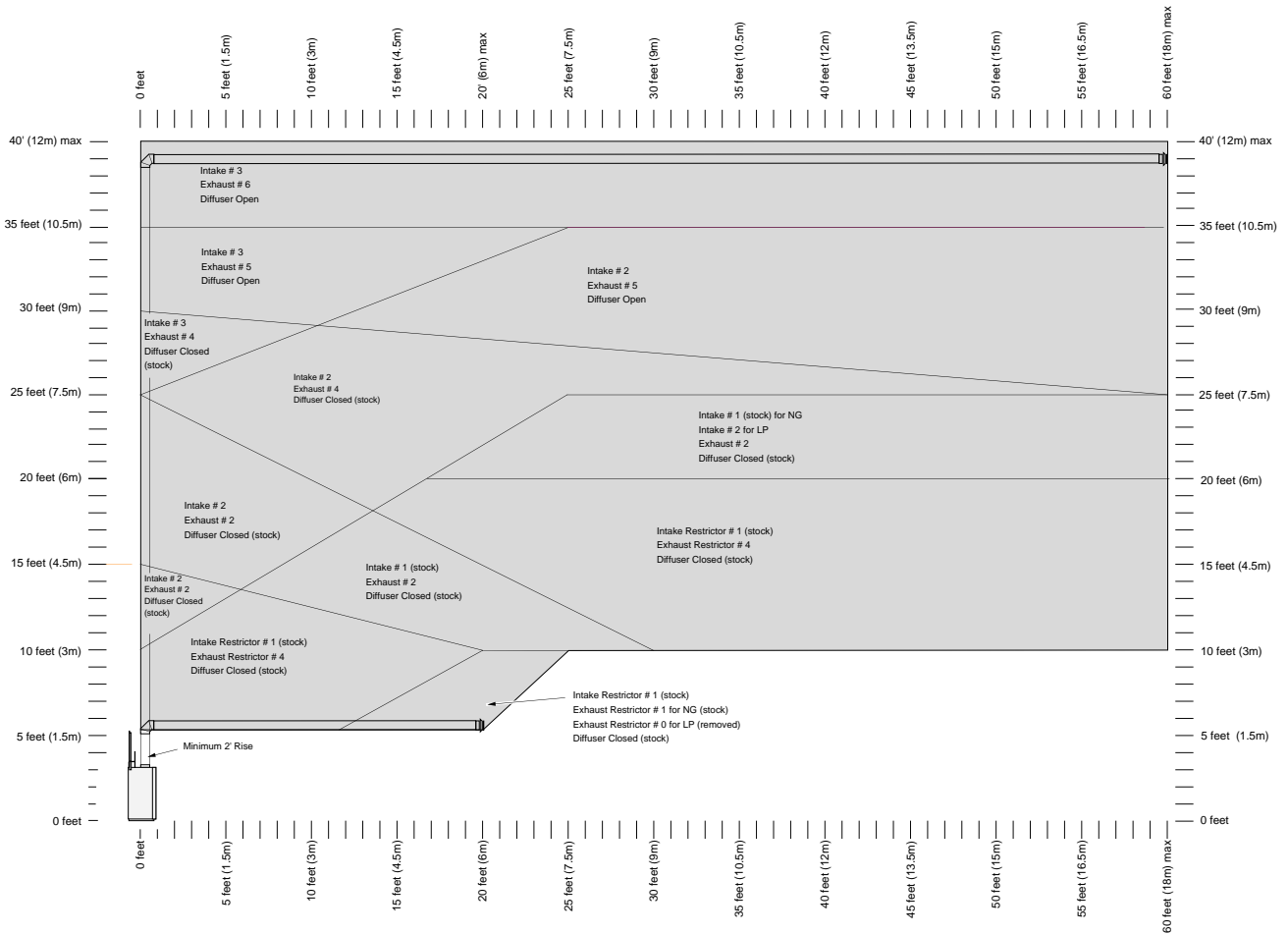
**Vent Configuration: Horizontal Termination with Vertical Rise**

- **Use 4x6-5/8" Diameter Coaxial Vent. Connect a 8" to 6-5/8" reducer directly to the fireplace (sku 98900165).**
- **NOTE:** The included pipe shield is not required and may be discarded. The included firestops may be discarded.
- The termination must fall within the shaded area shown in the chart. Use the indicated restrictor positions.
- Up to 3 elbows (45° or 90°) may be used. Only one horizontal elbow may be used.



## Vent Configuration: Horizontal Termination with Vertical Rise – 8” Vent

- **Use 5x8” Diameter Coaxial Vent**
- **NOTE:** Use the included firestop (s). The included heat shield may be discarded.
- The termination must fall within the shaded area shown in the chart. Use the indicated restrictor positions.
- Up to 3 elbows (45° or 90°) may be used. Only one horizontal elbow may be used.
- **HINT:** Use minimum vent kit “H” (96200332) from Travis Industries (additional vent may be required).

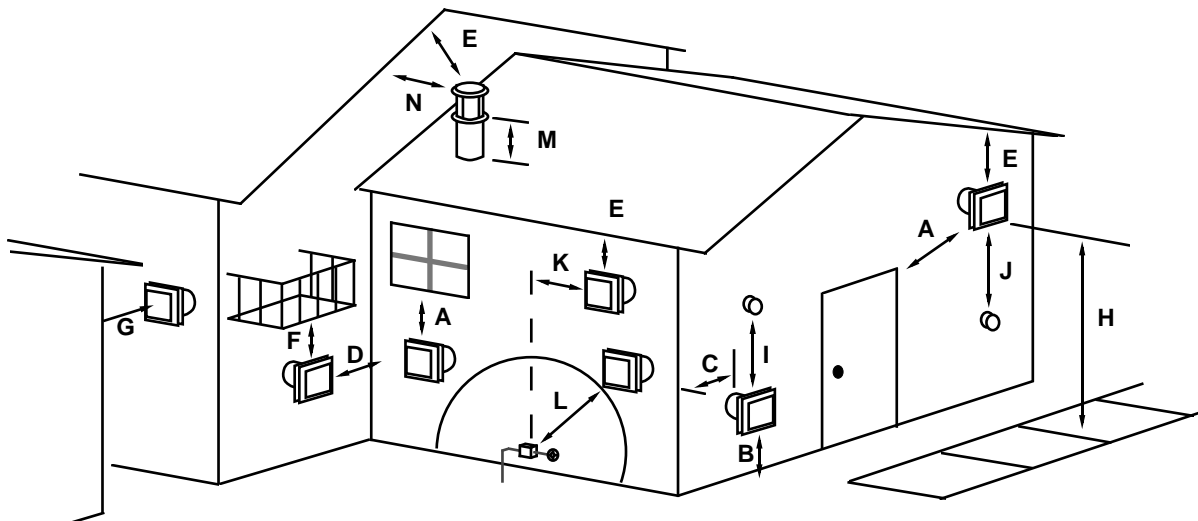
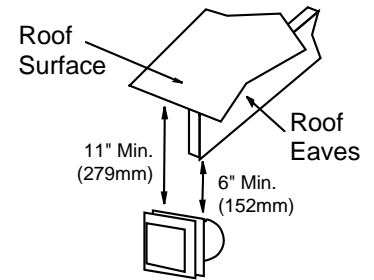


## Termination Requirements

### Vent Terminations Must Comply with AS/NZS 5601.1

**! Venting terminals shall not be recessed into a wall or siding.**

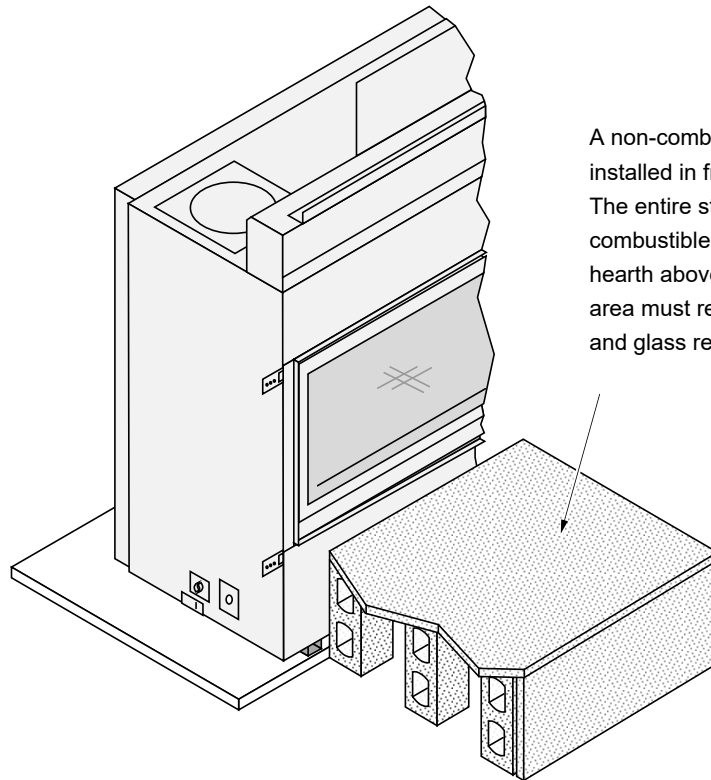
- A Minimum 9" (229mm) clearance from any door or window
- B Minimum 12" (305mm) above any grade, veranda, porch, deck or balcony
- C Minimum 1" (25mm) from outside corner walls  
**NOTE:** Clearance in accordance with local installation codes and the requirements of the gas supplier.
- D Minimum 1" (25mm) from inside corner walls  
**NOTE:** Clearance in accordance with local installation codes and the requirements of the gas supplier.
- E Minimum 11" (279mm) clearance below unventilated soffits or roof surfaces  
Minimum 18" (457mm) clearance below ventilated soffits  
Minimum 6" (152mm) clearance below roof eaves  
**NOTE:** Vinyl surfaces require 24" (610mm)  
**NOTE:** Clearance in accordance with local installation codes and the requirements of the gas supplier.
- F Minimum 12" (305mm) clearance below a veranda, porch, deck or balcony  
**NOTE:** Permitted only if veranda, porch, deck, or balcony is fully open on a minimum of two sides beneath the floor.  
**NOTE:** Clearance in accordance with local installation codes and the requirements of the gas supplier.
- G Minimum 48" (1219mm) clearance from any adjacent building
- H Minimum 84" (2134mm) clearance above any grade when adjacent to public walkways or driveways  
**NOTE:** may not be used over a walkway or driveway shared by an adjacent building
- I Minimum 9" (229mm) clearance to any nonmechanical air supply inlet to the building or the combustion air inlet to any other appliance.
- J Minimum 36" (914mm) clearance above any mechanical air supply inlet if within 10' (3M) horizontally
- K Minimum 36" (914mm) from the area above the meter/regulator (vent outlet) - this extends 15' (4.5M) above the regulator  
**NOTE:** Clearance in accordance with local installation codes and the requirements of the gas supplier.
- L Minimum 36" (914mm) from the meter/regulator (vent outlet)  
**NOTE:** Clearance in accordance with local installation codes and the requirements of the gas supplier.
- M Minimum 12" (305mm) above the roof line (for vertical terminations)
- N Minimum 24" (610mm) horizontal clearance to any surface (such as an exterior wall) – for vertical terminations



**NOTE: Measure clearances to the nearest edge of the exhaust hood.**

## Hearth Requirements

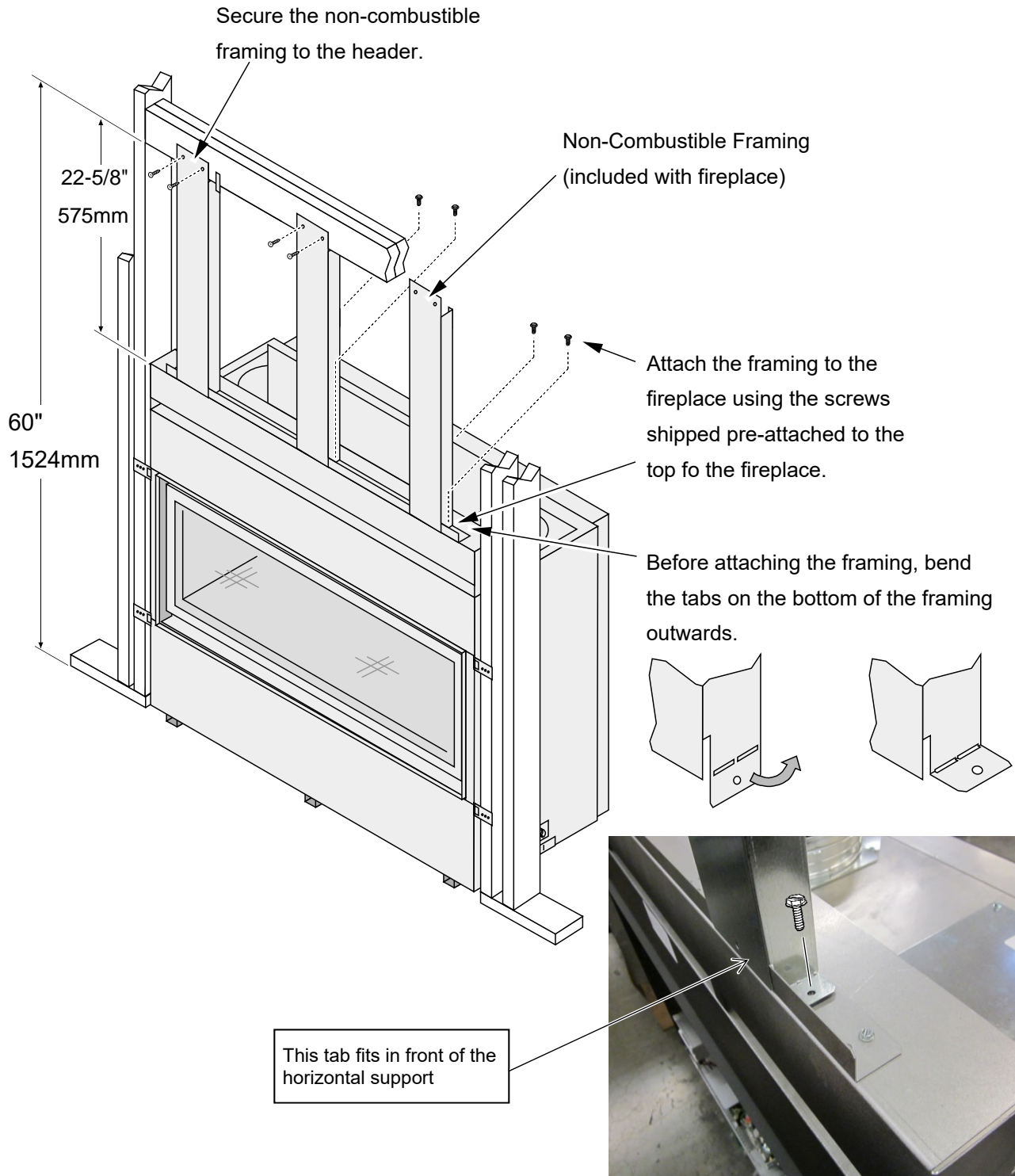
- If installed near carpet or other combustible flooring, the fireplace must be raised so the base of the unit is above the carpet surface or flooring material. If the heater is installed at floor level, we recommend a non-combustible hearth to protect the flooring surface from discoloration or other negative impact from the heater.
- A non-combustible hearth may be constructed in front of the fireplace (see illustration below).



A non-combustible hearth may be installed in front of the fireplace. The entire structure must be non-combustible. Do not build the hearth above the glass opening (this area must remain open for screen and glass removal).

**Non-Combustible Framing (included)**

- The fireplace includes non-combustible framing members. Attach them to the fireplace and framing following the directions below.
  - Remove the screws on top of the fireplace used to secure the framing members (see illustration below).
  - Place the framing members in place and secure using the screws removed in step 1.
  - Secure the framing to the header.





## Facing Requirements

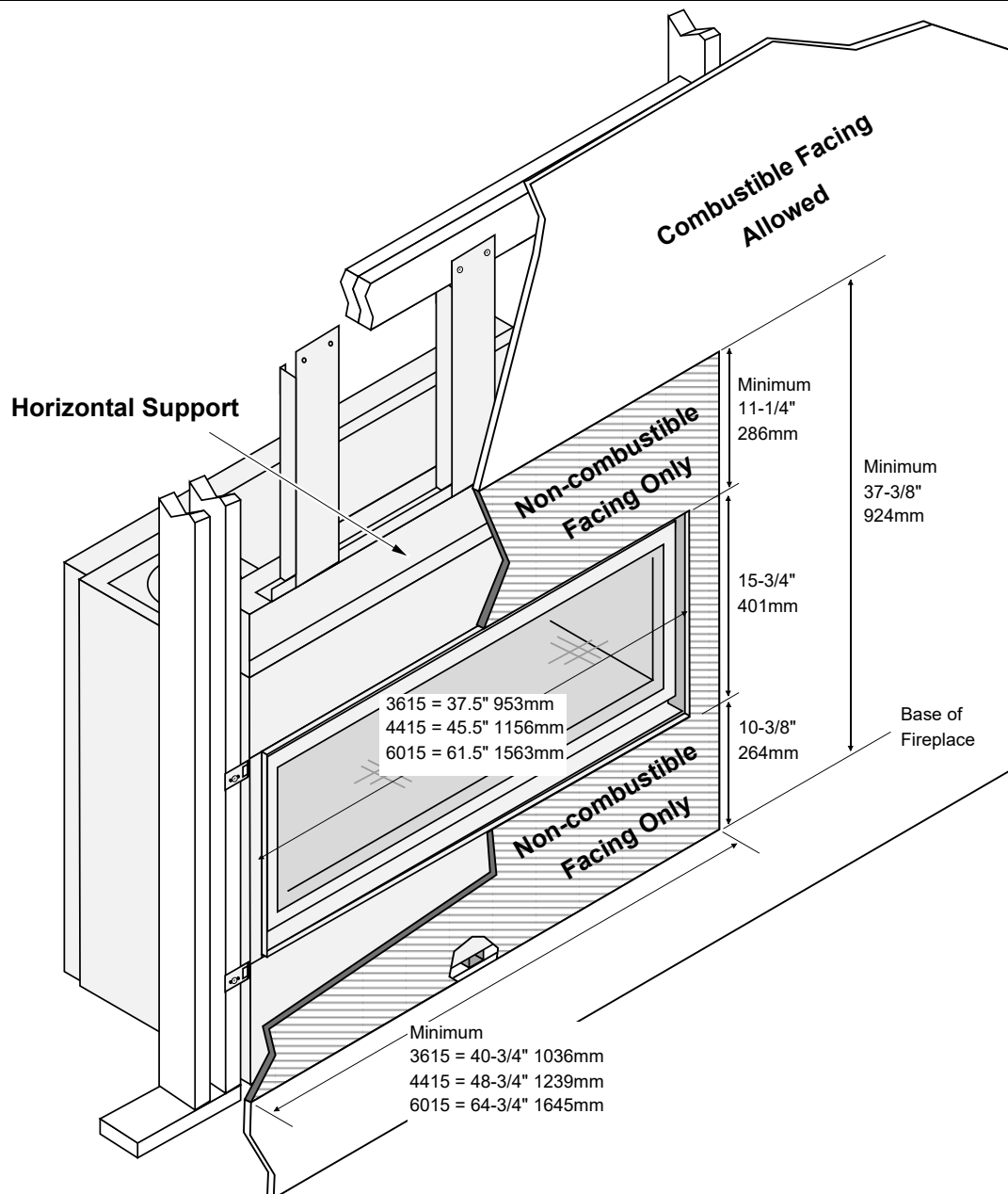
- Non-combustible facing must extend from the base of the fireplace to the top of the horizontal support (37-3/8" above the base). See illustration below for details.
- Non-combustible facing must extend the entire width of the unit to the framing opening on both sides.
- Do not place facing over the glass opening.
- Drywall (or other combustible) may be placed above the horizontal support (37-3/8" above the base of the fireplace) and to the sides of the framing opening.

**WARNING: Do not place drywall or other combustibles over the front of the fireplace.**



**WARNING:** Do not use adhesive to secure the facing. The high temperatures of the fireplace may cause adhesives to emit odors. Use mastic or thin set (or other non-combustible, non-odorous adherent) to attach the facing.

**NOTE:** Screws may be used to secure cement board or tile backer to the fireplace. Do not penetrate the fireplace more than 1/2" (13mm).

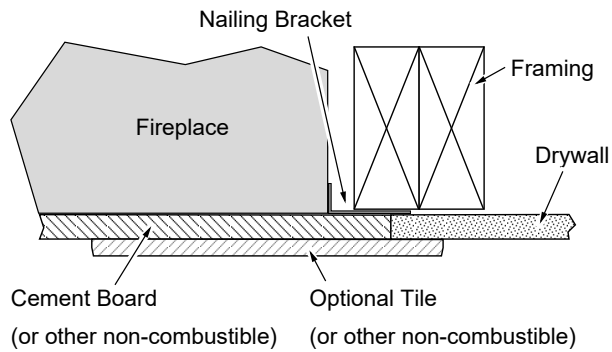


### Standard vs. Extended Position

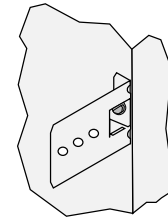
- The nailing brackets on the side of the fireplace may be placed in the standard or extended position to best suit the facing being used (the header shield is also moved). Most installations use the standard nailing bracket position. If using a facing that does not use a backing board (e.g. marble), you may wish to use the extended position.

#### **Standard Position - Top View**

(nailing brackets as shown to right)

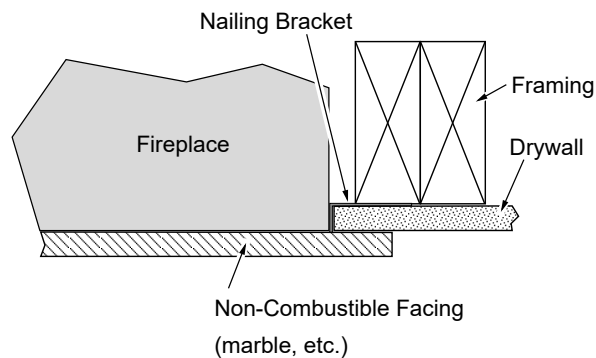


Nailing Bracket

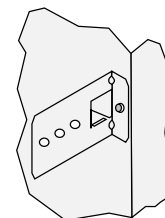


#### **Extended Position - Top View**

(nailing brackets as shown to right)



Nailing Bracket

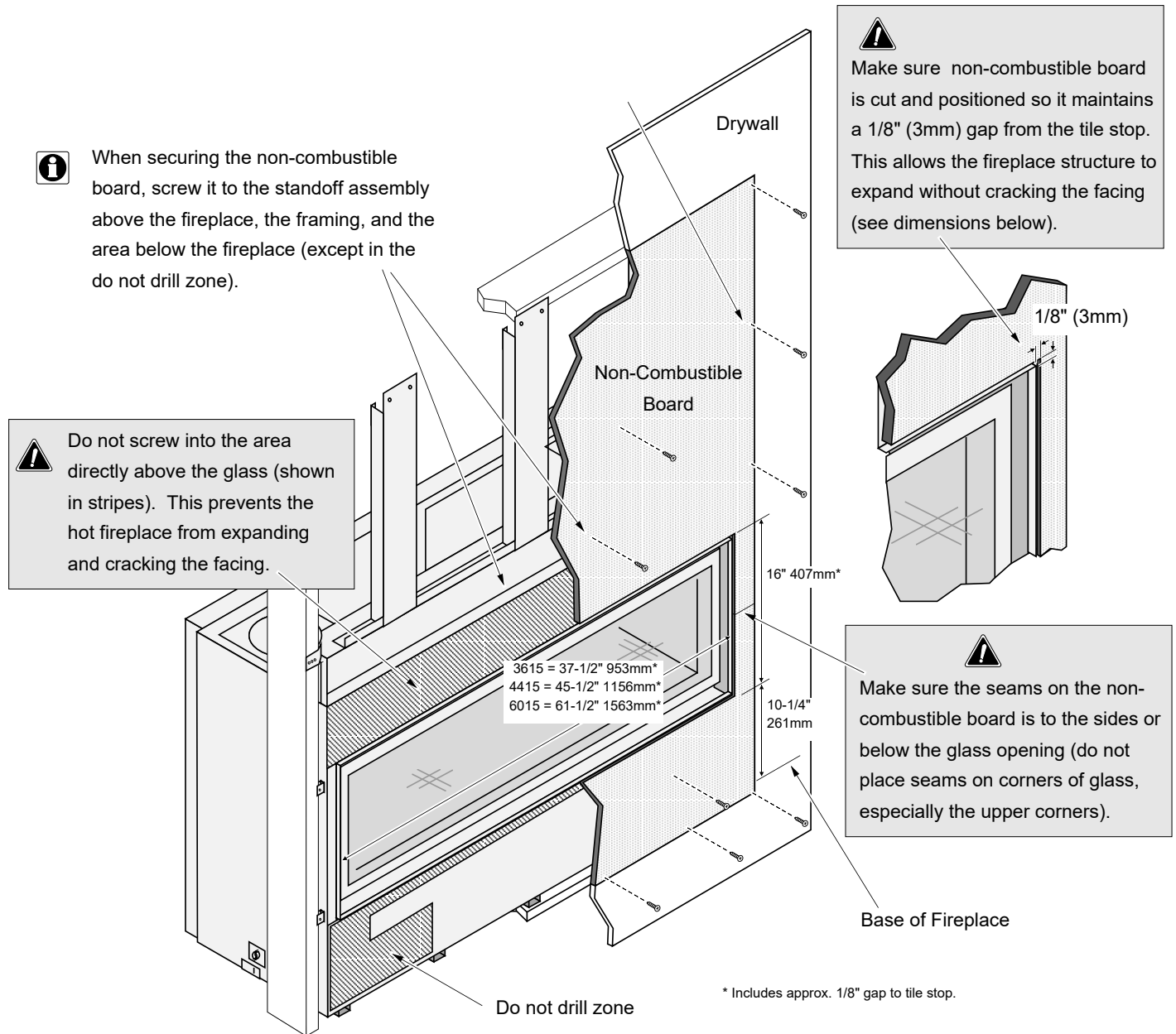


## Facing Example – Standard Position – Flush Install

- We recommend a non-combustible board (such as 9mm or 12mm Fiber Cement Sheeting) be placed over the front of the fireplace around the perimeter of the glass opening (do not place over the ledge to the glass opening).
- We recommend the non-combustible facing extend to the header above the non-combustible framing and to the framing on both sides of the fireplace. The facing should have the seam to the side of the glass opening (see illustration below). See the illustration below for other recommendations.

**NOTE:** Most non-combustible board will require a skim coat to achieve a smooth finish prior to painting

**HINT:** We recommend the use of a trim kit when making a flush install. This helps conceal the area between the non-combustible board and the glass opening.



**NOTE:** The non-combustible board must be a minimum of 9mm thick and comply with AS1530-1. The thicker the non-combustible board, the stronger the finish will be. Therefore, boards 12-13mm thick are also strongly recommended. Thinner materials may crack as a result due to the high operating temperatures of this fireplace. No liability will be taken by Travis Industries or Dragon Wholesaling Pty Ltd for cracking or discoloration of the wall.

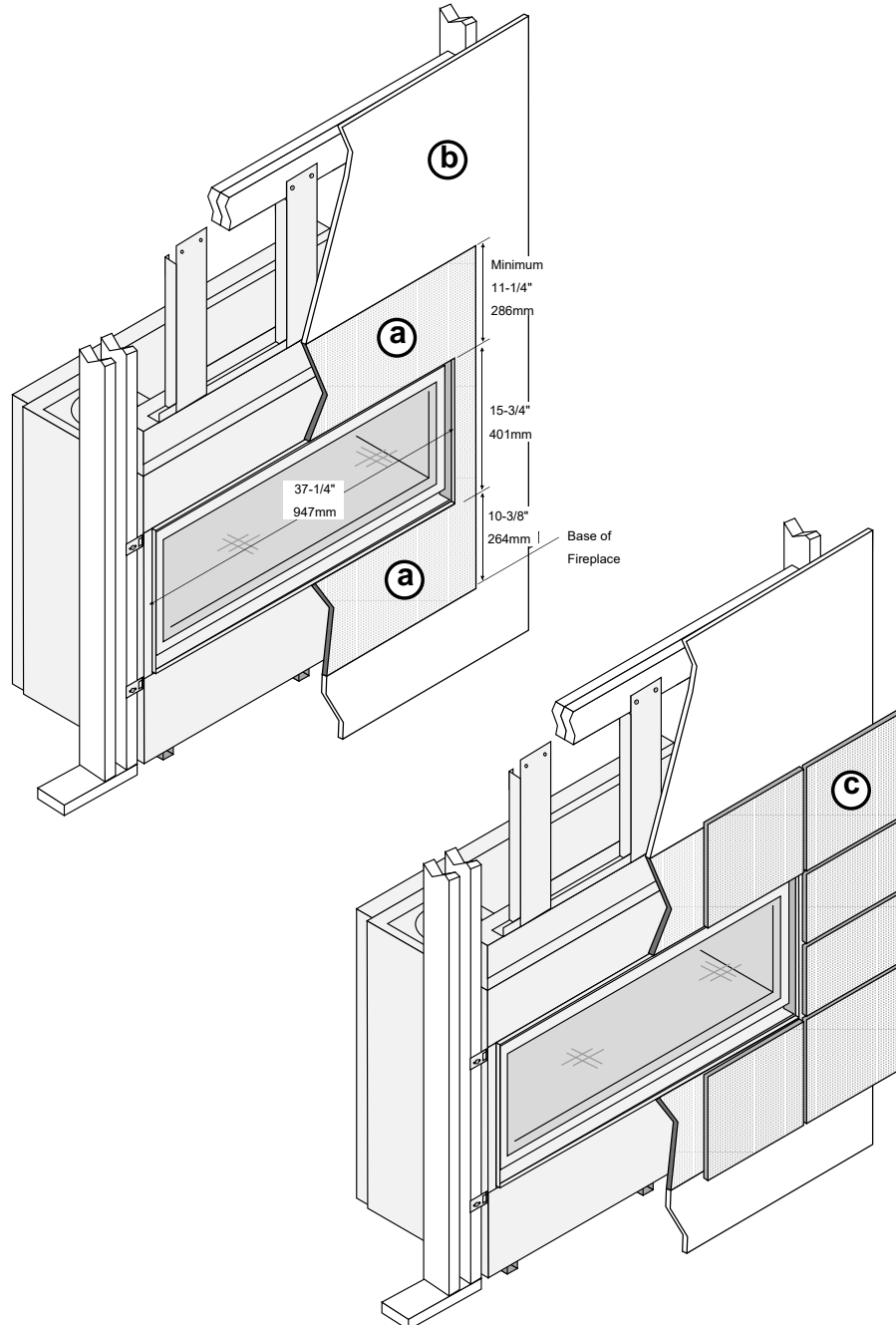
Close attention to detail following the finishing requirements and using only the highest quality materials is required.

## Facing Example – Standard Position - Tile-Over Install

- Install cement board (or other non-combustible) from the base of the fireplace to the top of the horizontal support (37-3/8" above the base) and to the framing opening on both sides (see "a" below).
- Drywall (or other combustible) may be placed above the horizontal support (37-3/8" above the base of the fireplace - see "b" below) and to the sides of the framing opening (see "b" below).
- Tile or other non-combustible facing may be placed along the front of the fireplace around the perimeter of the glass opening (see "c" below). Typical installations use 12" (305mm) or greater of non-combustible facing around the perimeter of the glass opening. Do not install facing over the ledge to the glass opening.

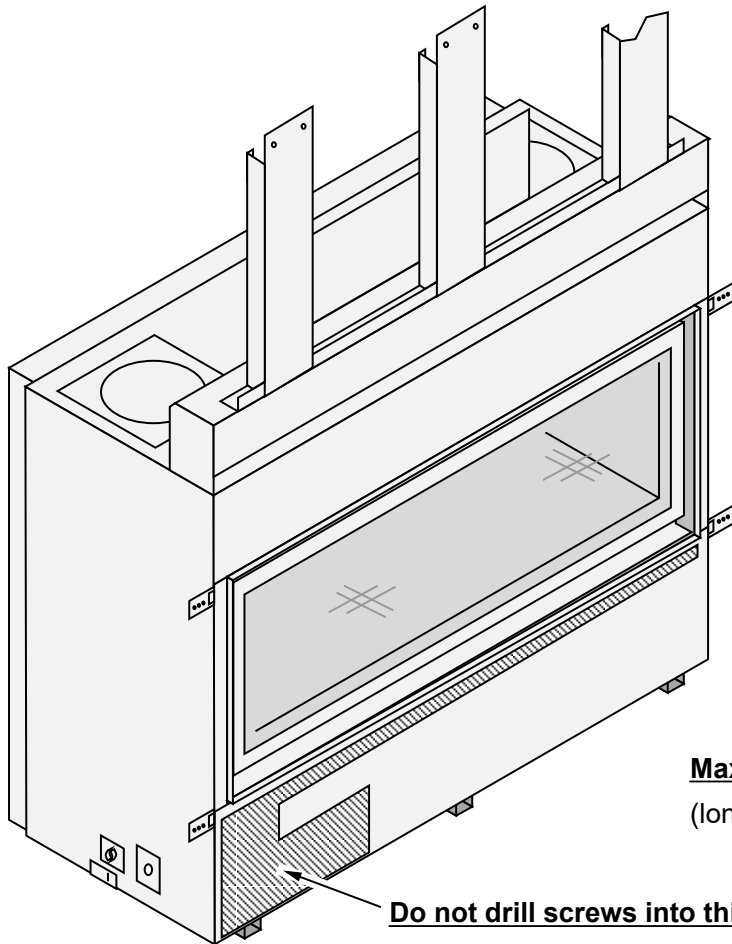
**HINT:** We recommend the use of a trim kit for a tile over installation. The trim helps conceal the area between the non-combustible facing and the glass opening.

**WARNING:** Do not place drywall or other combustibles over the front of the fireplace.



## Do Not Drill or Screw Zone

When using screws to secure tile-board or other non-combustible to the front of the fireplace, make sure to avoid the area shown below. Make sure screws penetrate no more than 1/2" (13mm) into the fireplace.



**Maximum Screw Penetration = 1/2"**

(long screws will hinder component access)

**Do not drill screws into this shaded area.**

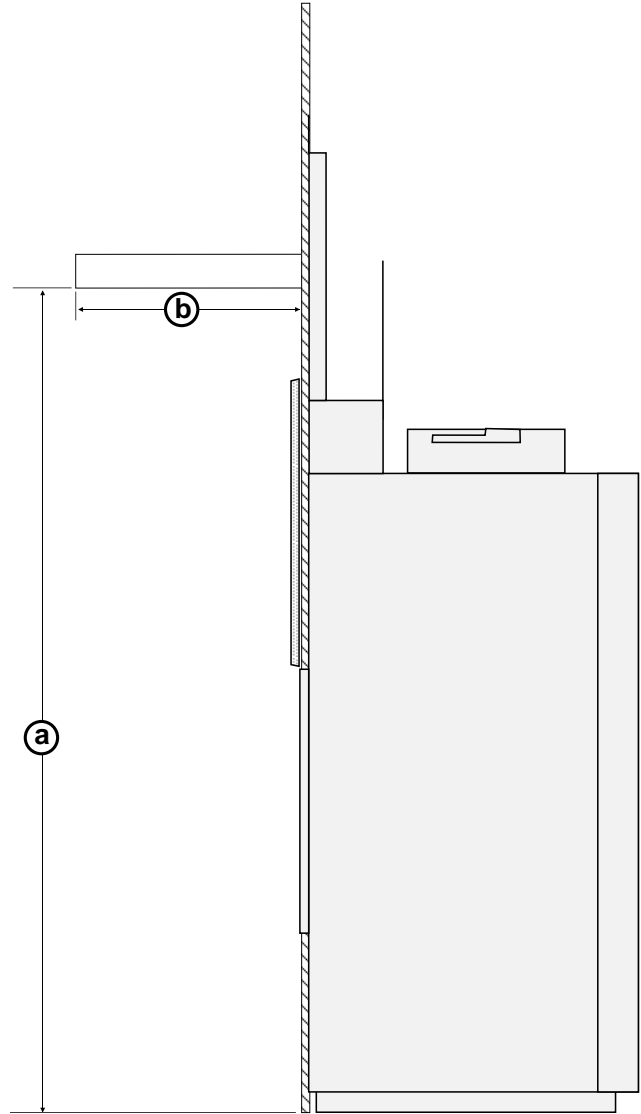
Fireplace components are located in this area.

**Mantel Requirements**

- If installing a TV above a mantel, see the section “Televisions Placed Above the Fireplace” on page 9.
- Use the table below to determine the maximum mantel depth allowed. The mantel depth (measured from the non-combustible facing) must fall within the shaded portion of the table.
- Any material above the fireplace that protrudes more than 3/4” (19mm) from the non-combustible facing is considered a mantel and must meet the mantel requirements.

Maximum Mantel Depth (b)

Mantel Height Above Base (a)	0" (0mm)	1" (25mm)	2" (51mm)	3" (76mm)	4" (102mm)	5" (127mm)	6" (152mm)	7" (178mm)	8" (203mm)	9" (229mm)	10" (254mm)	11" (279mm)	12" (305mm)
47" (1194mm)	Shaded	Shaded	Shaded	Shaded	Shaded	Shaded	Shaded	Shaded	Shaded	Shaded	Shaded	Shaded	Shaded
46" (1169mm)	Shaded	Shaded	Shaded	Shaded	Shaded	Shaded	Shaded	Shaded	Shaded	Shaded	Shaded	Shaded	Shaded
45" (1143mm)	Shaded	Shaded	Shaded	Shaded	Shaded	Shaded	Shaded	Shaded	Shaded	Shaded	Shaded	Shaded	Shaded
44" (1118mm)	Shaded	Shaded	Shaded	Shaded	Shaded	Shaded	Shaded	Shaded	Shaded	Shaded	Shaded	Shaded	Shaded
43" (1093mm)	Shaded	Shaded	Shaded	Shaded	Shaded	Shaded	Shaded	Shaded	Shaded	Shaded	Shaded	Shaded	Shaded
42" (1067mm)	Shaded	Shaded	Shaded	Shaded	Shaded	Shaded	Shaded	Shaded	Shaded	Shaded	Shaded	Shaded	Shaded
41" (1042mm)	Shaded	Shaded	Shaded	Shaded	Shaded	Shaded	Shaded	Shaded	Shaded	Shaded	Shaded	Shaded	Shaded
40" (1016mm)	Shaded	Shaded	Shaded	Shaded	Shaded	Shaded	Shaded	Shaded	Shaded	Shaded	Shaded	Shaded	Shaded
39" (991mm)	Shaded	Shaded	Shaded	Shaded	Shaded	Shaded	Shaded	Shaded	Shaded	Shaded	Shaded	Shaded	Shaded
38" (966mm)	Shaded	Shaded	Shaded	Shaded	Shaded	Shaded	Shaded	Shaded	Shaded	Shaded	Shaded	Shaded	Shaded
37" (940mm)	Shaded	Shaded	Shaded	Shaded	Shaded	Shaded	Shaded	Shaded	Shaded	Shaded	Shaded	Shaded	Shaded



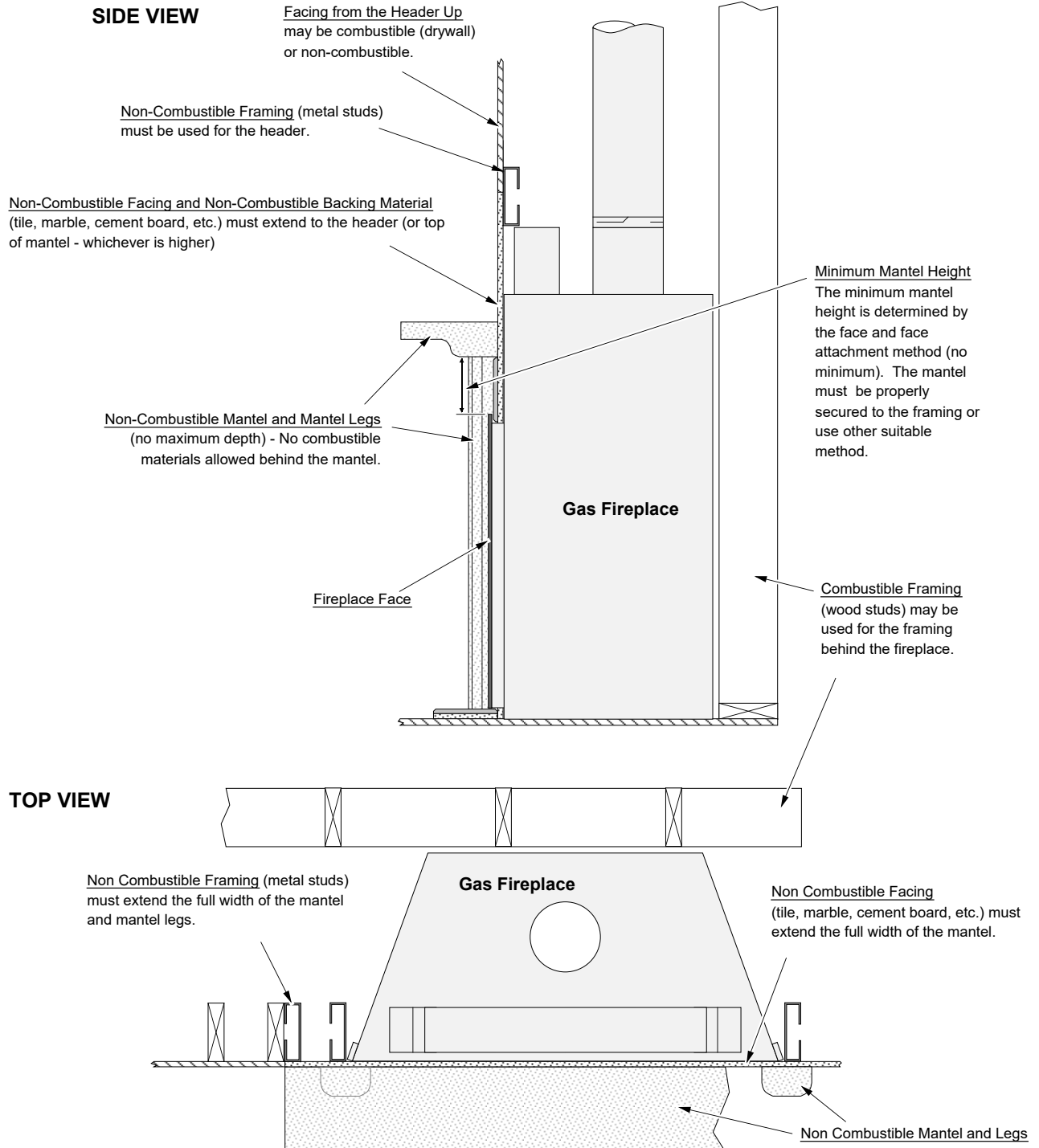
**Mantel Column Clearances**

- Combustible mantel columns (legs) that protrude more than 3/4” (19mm) from the front of the fireplace require a 3” (77mm) clearance to the side of the fireplace.
- Combustible mantel columns (legs) that protrude 3/4” (19mm) or less from the glass frame must meet the facing clearances (minimum 0” (0mm) from the side of the fireplace).
- Non-combustible mantel columns do not have a minimum clearance.

## Use of a Non-Combustible Mantel Below Listed Mantel Clearances

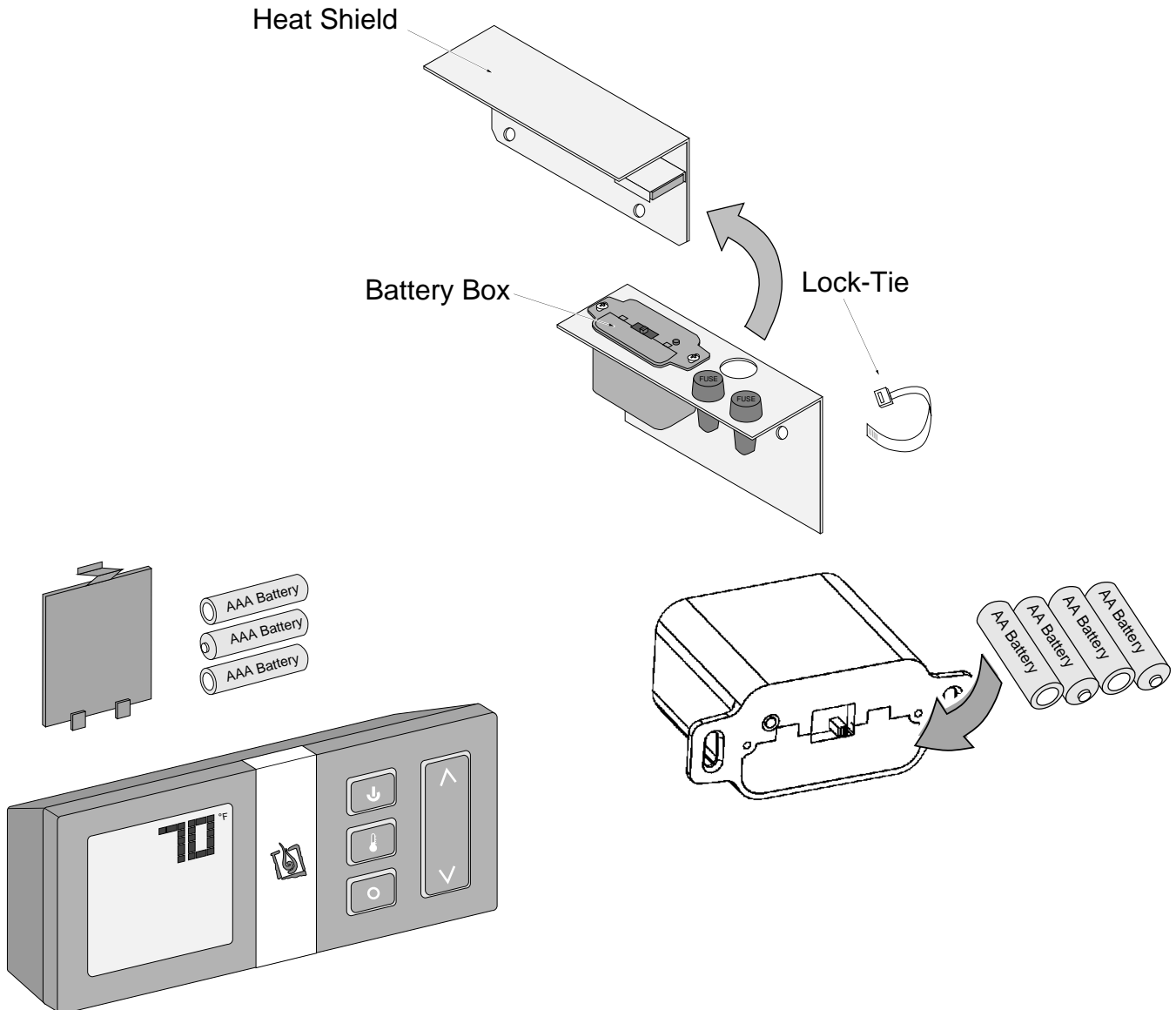
Each gas fireplace has a unique set of mantel requirements. If you wish to place a non-combustible mantel at a lesser height than specified in this manual, it will need to meet the following requirements:

- The header (the framing member above the fireplace opening) must be non-combustible.
- The facing must be non-combustible and extend to the header (or mantel, whichever is greater). The facing must also span the entire width of the mantel.
- See the illustration below for additional requirements.



### Steps for Finalizing the Installation

1. Remove the glass frame (see page 41).  
**NOTE:** If using propane (LP) convert the appliance prior to installing the logs.
2. We recommend you purge the gas line at this time (with the glass frame removed). This allows gas to be detected once it enters the firebox, ensuring gas does not build up.
3. Install the required firebacks (see page 44).
4. Remove the heat shield from the battery box (remove and discard the lock-tie – see illustration below). Install the four AA batteries into the battery box (**NOTE:** the heat shield must be in place whenever the fireplace is in operation). The AA batteries act as a power backup in case the household (AC) power goes out and are required for operation. Install three AAA batteries into the remote (see illustration below). Synchronize the transmitter to the IFC (see the owner's manual).



5. Make sure the accent light bulbs are in place and work correctly.  
**NOTE:** Take care to not touch the bulb with your fingers (use a cloth or paper towel).
6. Install the crushed glass (see page 46).
7. Replace the glass frame.

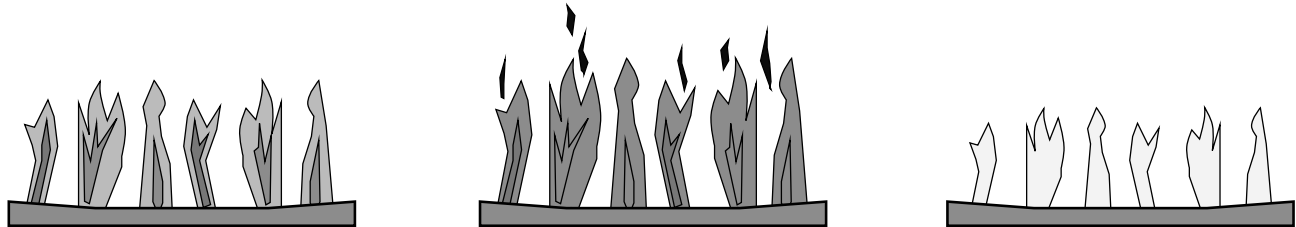


8. Start the heater.
9. Leak test all gas joints.
10. Check the air shutter following the directions below.

## Air Shutter Adjustment

Let the heater burn for fifteen minutes (make sure the logs and glass are in place). The flames should be yellow with no sooting. Adjust the air shutter, if necessary, to achieve the correct looking flame.

### Air Shutter Adjustmen



**Correct**

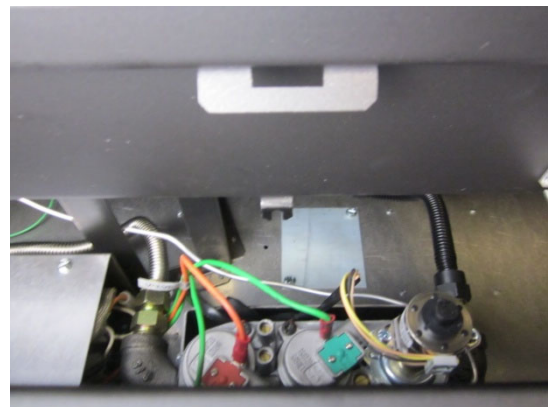
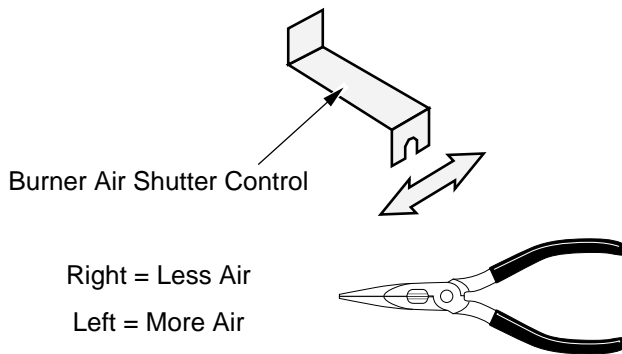
Flames should be blue at the base, yellow-orange on the top.

**Not Enough Air**

If the flames are too tall or sooty on the ends, open the air shutter.

**Too Much Air**

If the flames are all blue and short, close the air shutter.



**NOTE:** Use pliers to adjust the air shutter (it will be hot). Typically, the air shutter is more closed (right) on NG, more open (left) on LP.

11. Adjust the flame to its highest position - the flames should not contact the top of the firebox. Check the flame on low position. The flames should burn off of each burner hole. If the heater does not work correctly, contact your Travis dealer for a remedy.
12. Give this manual to the home owner for future reference and fully explain operation of this heater. For comprehensive operating and maintenance instructions, refer to the Owner's Manual (part # 100-01253).

**ACID WASH WARNING:** Make sure any masonry that has been treated with acid wash has been properly neutralized (this is used primarily with brick faces). Acid wash (muriatic acid) is used to remove excess mortar.

### Glass Frame Removal and Installation



A barrier designed to reduce the risk of burns from the hot viewing glass is provided with this appliance and shall be installed for the protection of children and other at-risk individuals.



If the barrier becomes damaged, the barrier shall be replaced with the manufacturer's barrier for this appliance.



**Do not remove the glass frame with the screen attached – it will not disengage correctly and may damage the screen.**



**The appliance must be completely cool before removing the glass.**



**Do not strike or slam the glass.**



**Warning: Do not operate appliance with the glass front removed, cracked or broken. Replacement of the glass should be done by a licensed or qualified service person.**

#### **GLASS FRAME TOOL**

The glass frame tool is shipped inside the fireplace, under the concealment cover. The first time it is used you may need to loosen the screw (1/4" wrench). The tool is accessed after removing the screen.



**NOTE: Replace the tool in this location after use.**

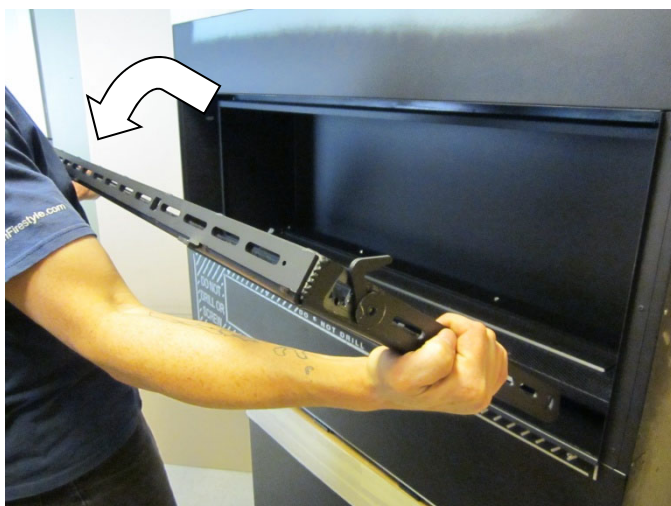
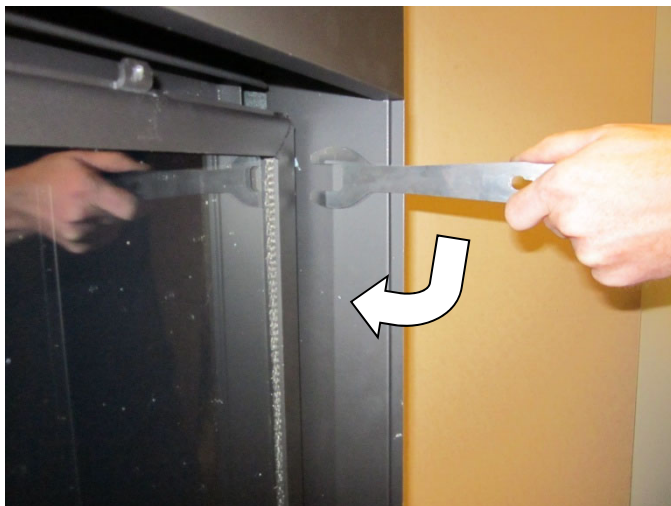
1. Remove the concealment cover and place aside. It has two holes that aid in removal.



2. Remove the three screws holding the screen in place (1/4" nutdriver- magnetic driver recommended). Then pivot the screen down slightly until the clips on the bottom disengage from the glass frame.



3. Use the glass tool to unlatch the glass frame. Remove the glass frame. The glass frame is held in place with four tabs inserted into four slots at the bottom of the firebox opening.



**Fireback Installation**

**Fireplace must not be operated without the firebacks in place.**

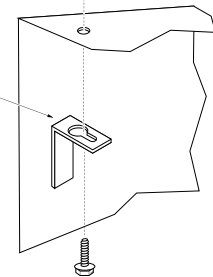


The directions below show installation of metal firebacks. If using ceramic firebacks, follow the directions included with the firebacks (the rear fireback clips are removed and discarded).

- 1 Access the firebox.
- 2 Remove the two rear fireback clips from the firebox ceiling (1/4" nutdriver). The clips are located along the upper rear edge of the firebox.



The fireback clip has a keyhole slot. It can be removed by loosening the screw and sliding the clip out.



- 3 Install the rear fireback. Hold the fireback at an angle while installing to allow it to pass through the firebox opening.

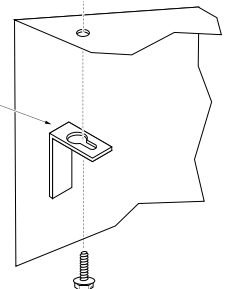


- 4 Replace the rear fireback clips to secure the rear fireback in place.

- 5 Remove the two side fireback clips from the firebox ceiling (1/4" nutdriver). They are located at the outward edges of the firebox near the glass opening.



The side fireback clip has a keyhole slot. It can be removed by loosening the screw and sliding the clip out.



- 6 Install the right side fireback. Place the fireback in position and replace the fireback clip to secure the right fireback in place.



- 7 Install the left fireback (see step # 6).

**Crushed Glass Installation**

**Do not allow the crushed glass to block the air slots or to become too thick (maximum 1 layer deep on the burner). Failure to properly install glass may lead to sooting and improper burning.**

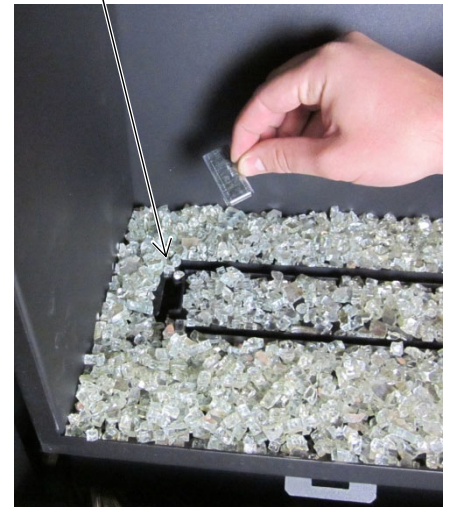
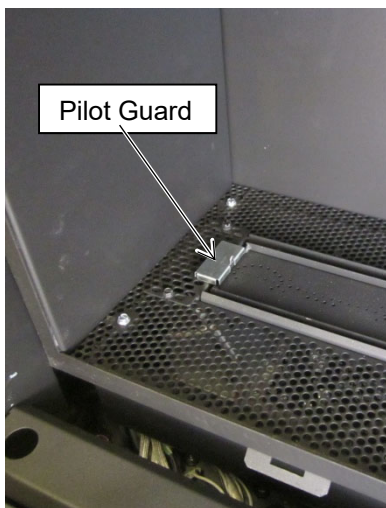


**If converting to LP (propane), convert the appliance prior to placing the crushed glass.**

Install the crushed glass on the glass tray following the directions below.

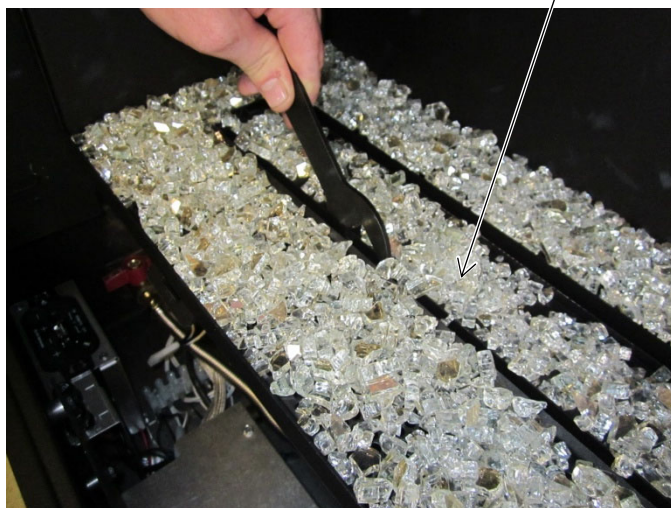
<b><u>Quantity of Crushed Glass</u></b>	No Logs (stock)	Driftwood Log Set (NOTE: <b><u>Install logs first</u></b> )
	7 lbs. (3.1 Kg)	4 lbs. (1.8 Kg)

Before installing the crushed glass, make sure the pilot guard is in place (it is zip-tied to the glass tray – remove and discard the zip-tie). After installing the glass, remove the pilot guard. Make sure no glass covers the pilot opening.



Disperse the crushed glass evenly along the glass tray.

Make sure the two air channels are free of crushed glass. Use the glass frame tool (or screwdriver) to clear this area. **Make sure the glass is only 1 layer deep on the burner.**



## LP Conversion Instructions

### **WARNING**

This conversion kit shall be installed by a qualified service agency in accordance with the manufacturer's instructions and all applicable codes and requirements of the authority having jurisdiction. If the information in these instructions is not followed exactly, a fire, explosion or production of carbon monoxide may result causing property damage, personal injury or loss of life. The qualified service agency is responsible for the proper installation of this kit. The installation is not proper and complete until the operation of the converted appliance is checked as specified in the manufacturer's instructions supplied with the kit.

**The GSR Stepper Motor Kit (4-pack = 94400999, single = 250-01463) is required for converting this appliance to LP. The kit contains the stepper motor (regulator) and torx wrench. The burner orifices, pilot orifice, and burner gaskets are shipped with the appliance.**

1. Access the firebox.
2. Remove the glass tray. Remove the 6 screws holding it in place (1/4" nutdriver).



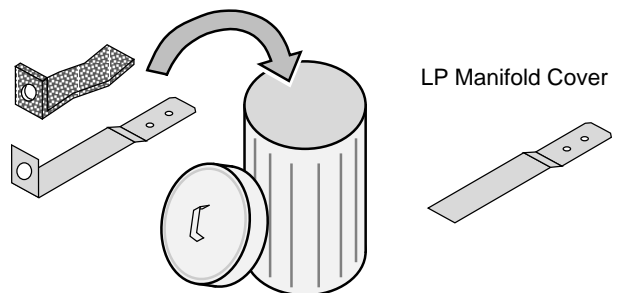
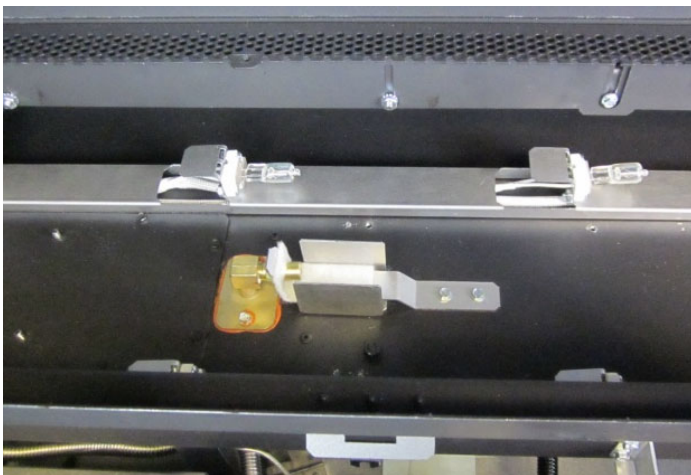
3. Remove the burner. It is held in place with 6 screws (1/4" nutdriver).



4. Remove the burner support as shown below. It is held in place with 6 screws (1/4" nutdriver) and 4 nuts (11/32" nutdriver).



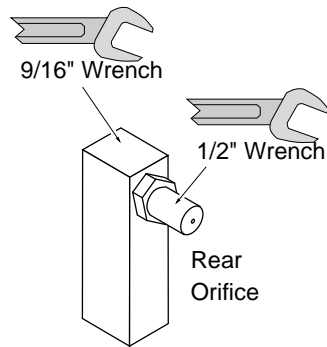
5. Remove and discard the NG (stock) manifold cover and orifice gasket (1/4" nutdriver). Install the LP manifold cover included in the owner's pack.





6. Follow the directions below to replace the orifice.

- (a) Slide the air shutters to provide access to the orifices.

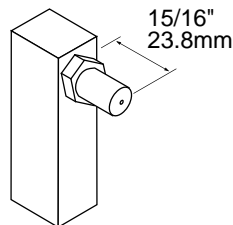


- (b) Use a 9/16" wrench to secure the manifold while removing the orifice with a 1/2" wrench.

- (c) Apply thread sealant to the LP orifice prior to installation. Use the chart below to identify the correct orifices.



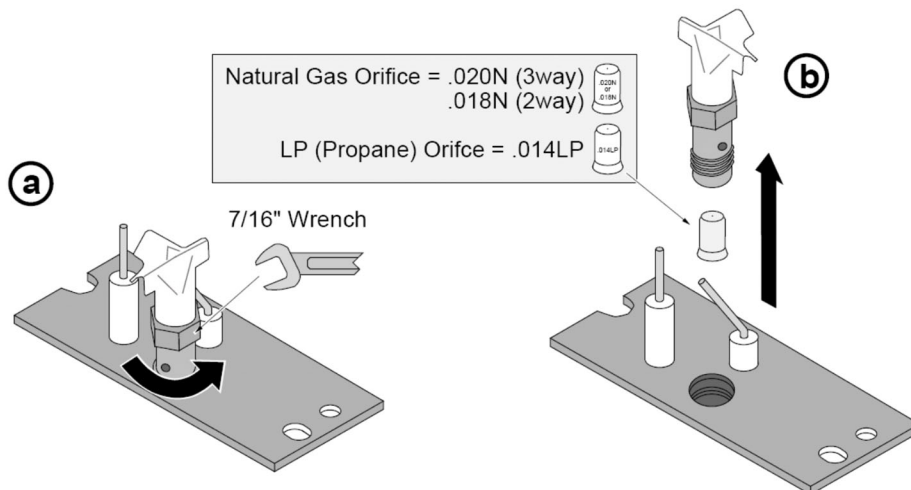
- (d) Screw the LP orifice until orifice protrudes 15/16" (23.8mm) indicating full insertion (use wrench to secure manifold when re-attaching orifice).



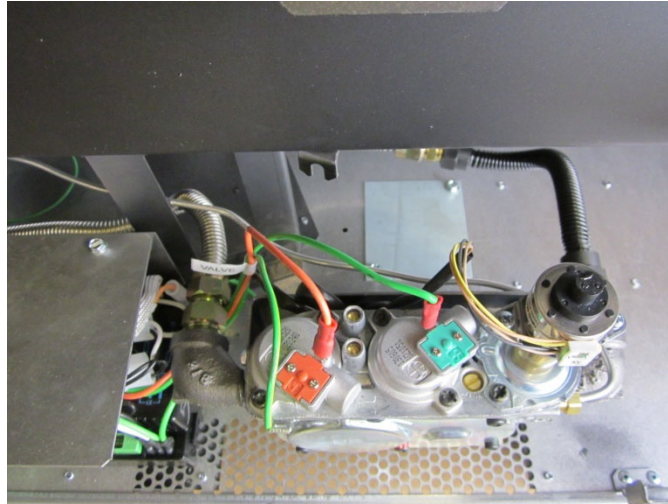
NG	LP
#31	#49

7. Install the LP pilot orifice following the instructions below.

- (a) Use a 7/16" open-end wrench to remove the pilot hood.
- (b) Remove and discard the Natural Gas (NG) orifice. Place the LP orifice in the pilot assembly then replace the pilot hood, tightening the pilot hood until it is snug (do not over-tighten).



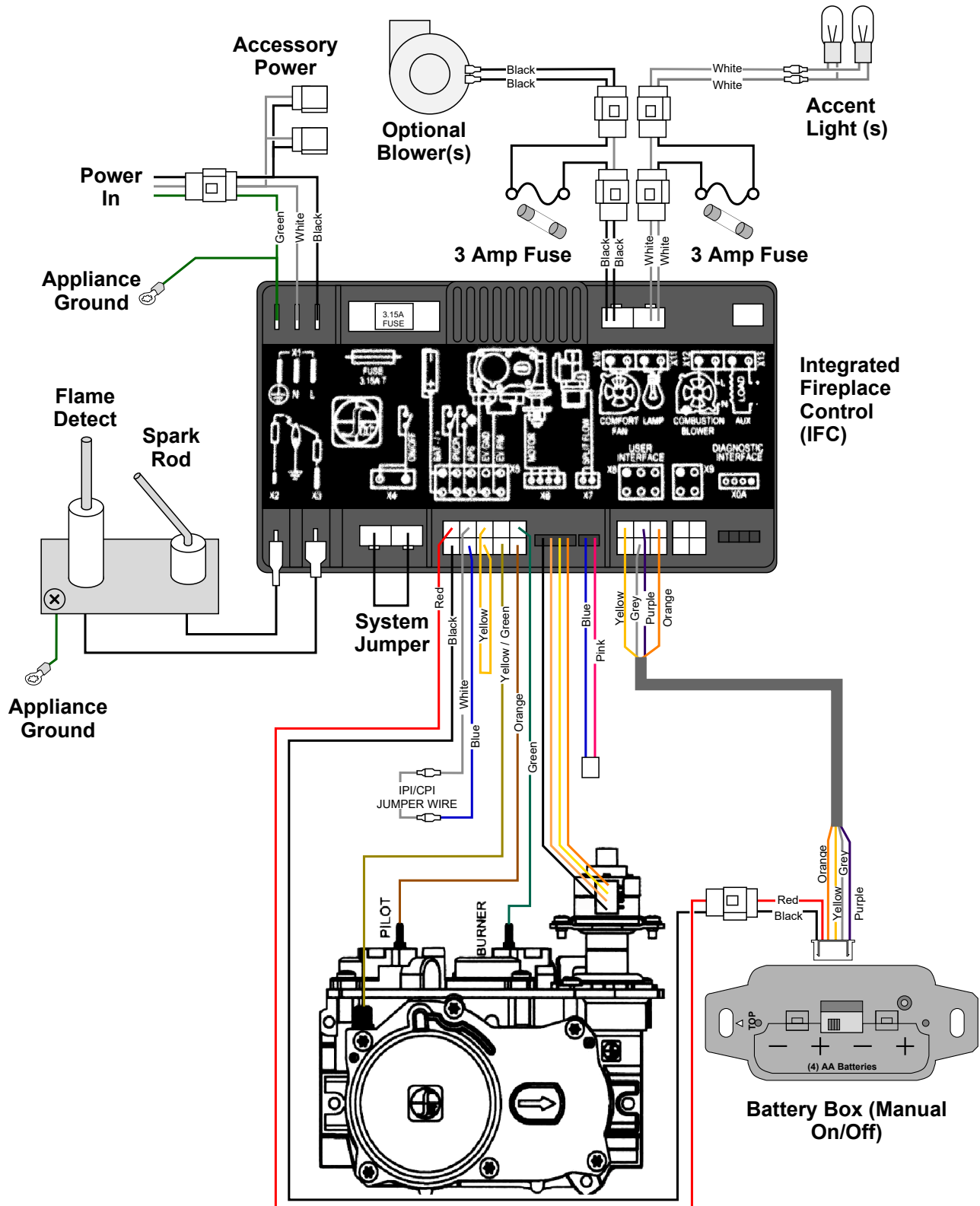
- The stepper motor (adjustable regulator) has an installation sheet included with it – make sure to follow all of the directions. Place the stepper motor on the gas control valve (see below) – **MAKE SURE IT IS CORRECTLY ORIENTED**. Secure using the screws included with the motor – tighten to 25 Lb-inches. Leak test this area after installation to verify proper installation.



- Replace the burner. **Push the burner to the left side to insure the manifold inserts over the orifice.**
- Replace the remaining firebox components.
- Replace the glass.
- Make the gas line connection, bleed the gas line (if applicable), start the heater and thoroughly leak-test all gas connections and the gas control valve.

## Wiring Diagram

**Caution:** Label all wires prior to disconnection when servicing controls. Wiring errors can cause improper and dangerous operation.

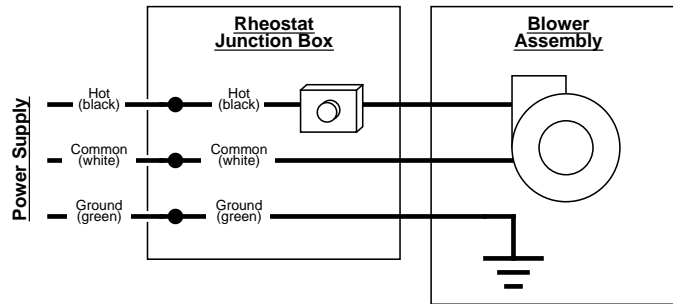


### Power Heat Duct Installation

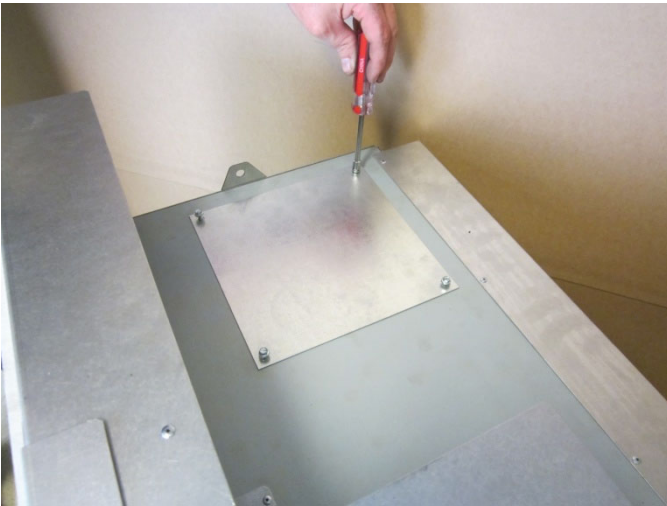
**Warning:** All wiring should be done by a qualified electrician and shall be in compliance with local codes and with the current National Electric Code ANSI/NFPA 70 (in the U.S.), or with the current CSC22.1 Canadian Electric Code (in Canada).

One or two optional power heat (98500769) ducts may be connected to this fireplace (top right and left of the fireplace). Follow the directions below to prepare the power heat duct connection (for each power heat duct used). Follow the directions included with the power heat duct for installation.

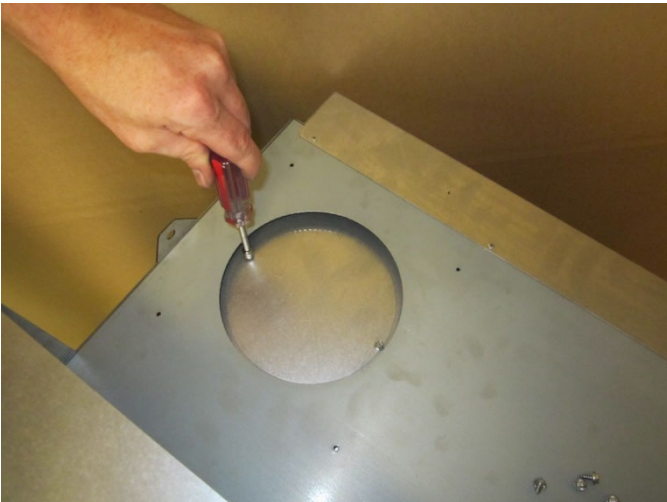
**NOTE:** The power heat duct should be wired for direct operation (see wiring diagram below);



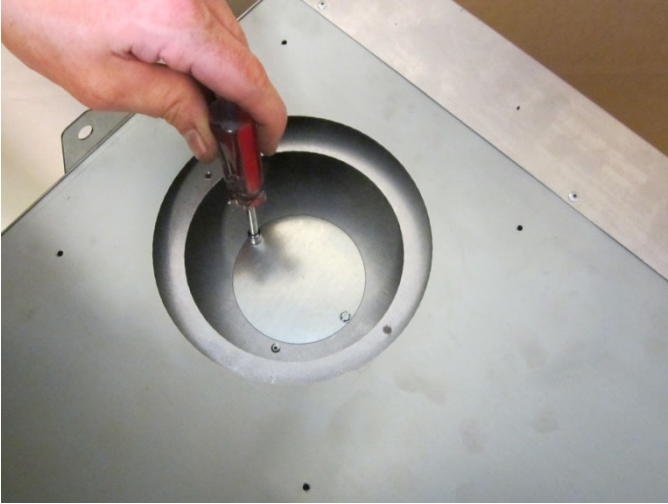
1. Remove the 4 screws on the power heat duct cover and remove the cover.



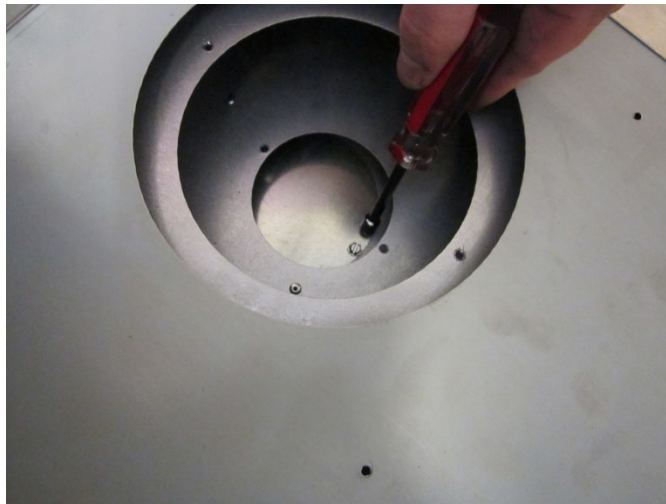
2. Remove the 2 screws on the outer cover plate and remove the cover.



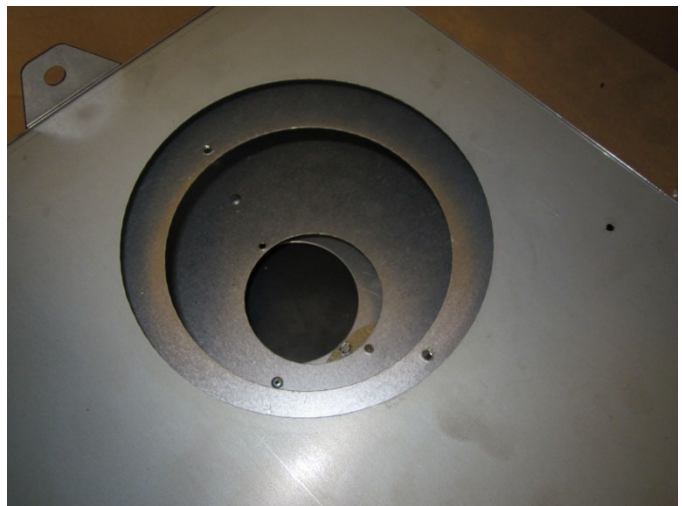
- 3 Remove the 2 screws on the inner cover plate and remove the cover.



- 4 Loosen the single screw on the convection cover plate two turns.



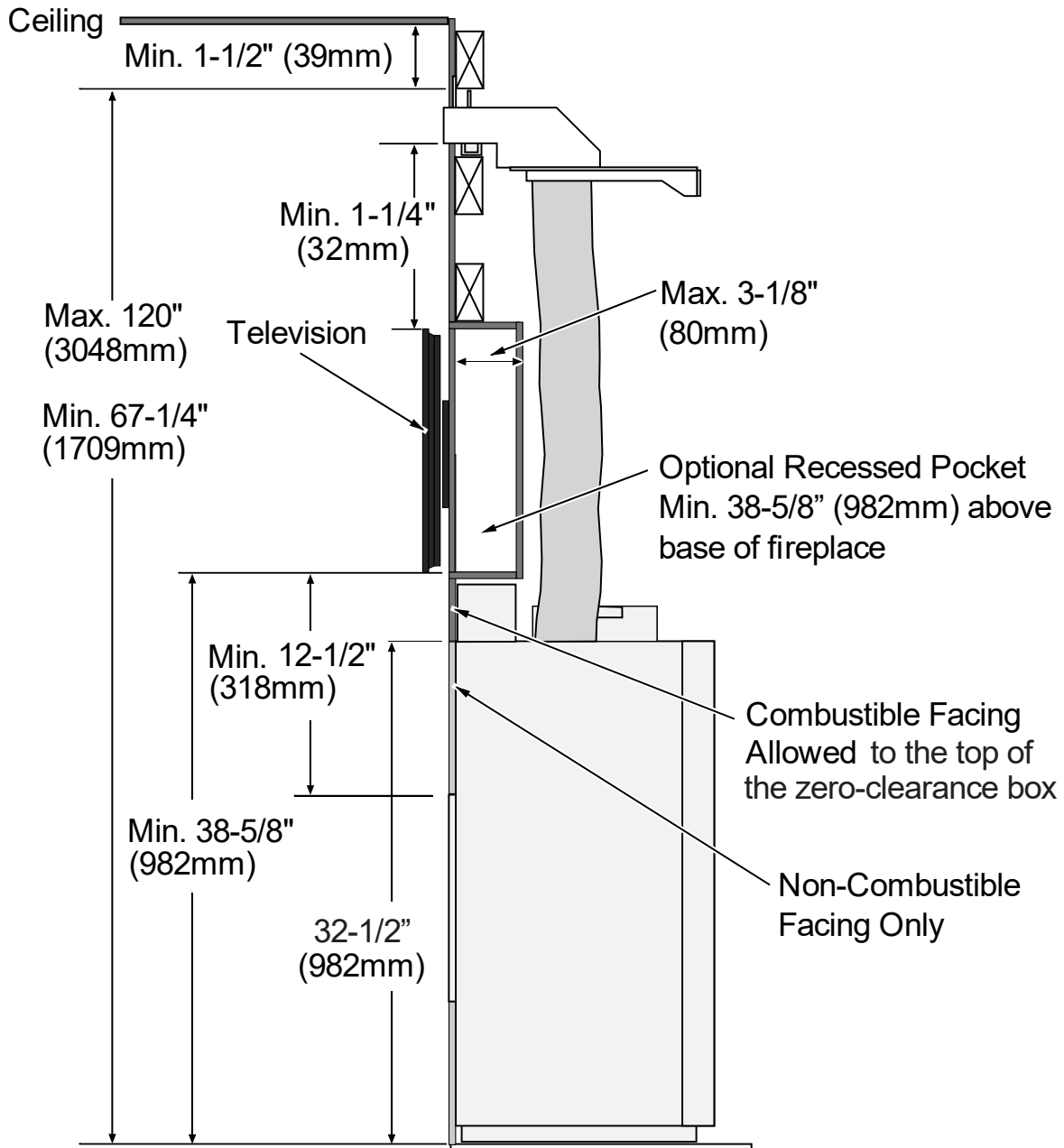
- 5 Rotate the convection cover plate 180° (this allows heated air to flow upwards into the power heat duct).



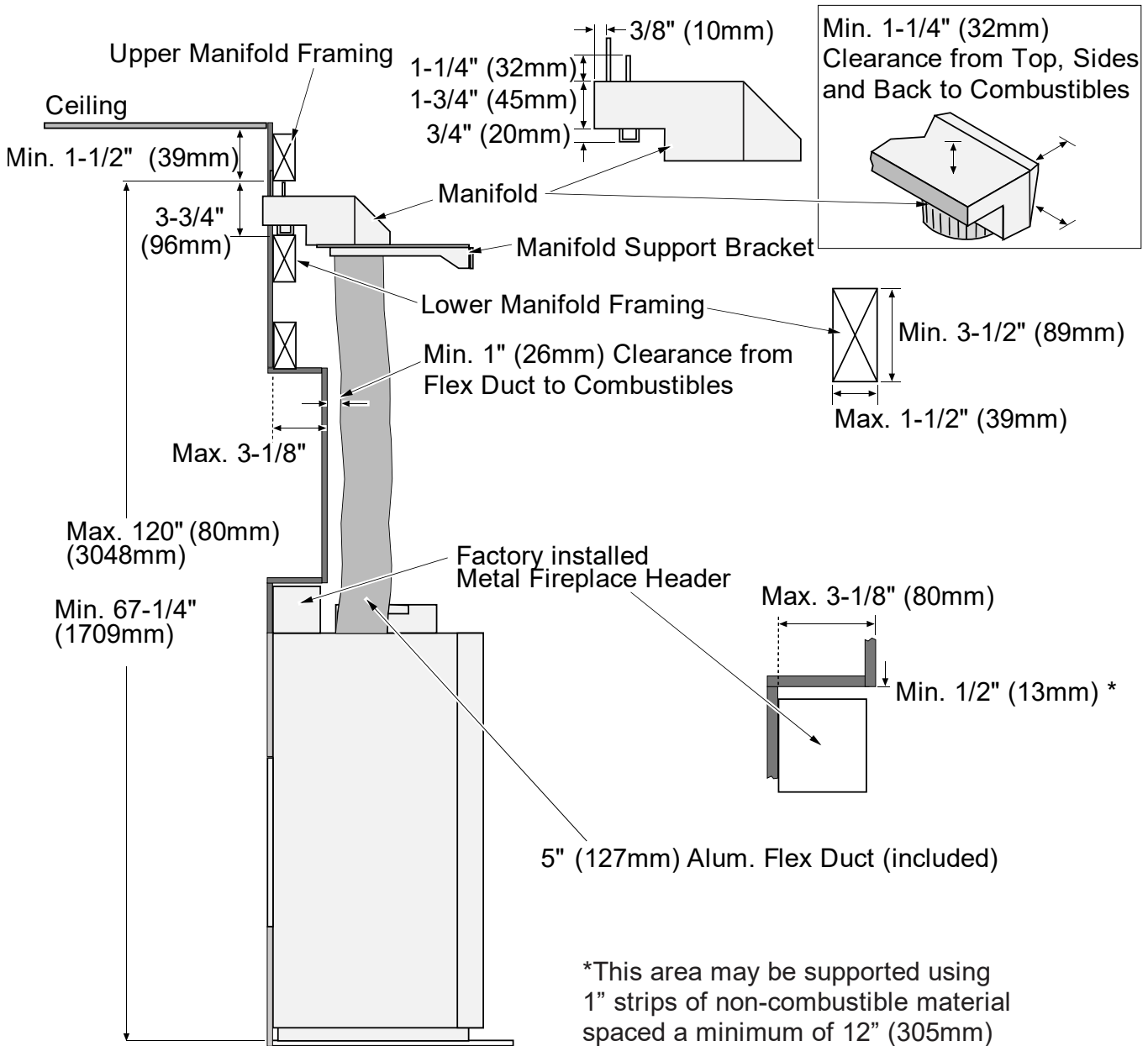
**CoolSmart TV (Optional)****Installation Overview**

The CoolSmart system is designed to redirect the convective heat of the fireplace from the front of the unit, just above the glass, to a location higher on the wall. The use of this kit allows for reduced clearance to combustibles and accommodates TV installations closer to the fireplace or in recessed cavities above the fireplace.

When using this kit, disregard the framing dimensions in the manual and follow the framing instructions shown on page in this document. In addition, the use of this kit allows for combustible facing to be installed over non-combustible board over the front of the fireplace (see section Combustible "Over-Facing" section). All other installation requirements for the fireplace must be followed as detailed in the appliance installation manual.



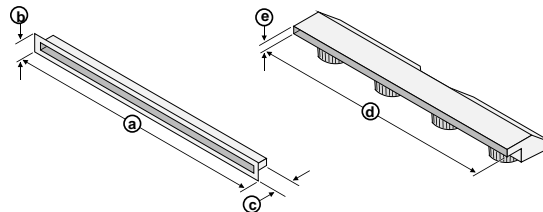
**CoolSmart TV - Installation Requirements**



**Grill and Manifold Dimensions**

The grill may be installed over the facing to provide an aesthetic opening for the convection outlet. (2) 8-32 x 1-1/2" screws attach the trim to the upper manifold. This allows variable thickness of finish material.

**Dimensions**



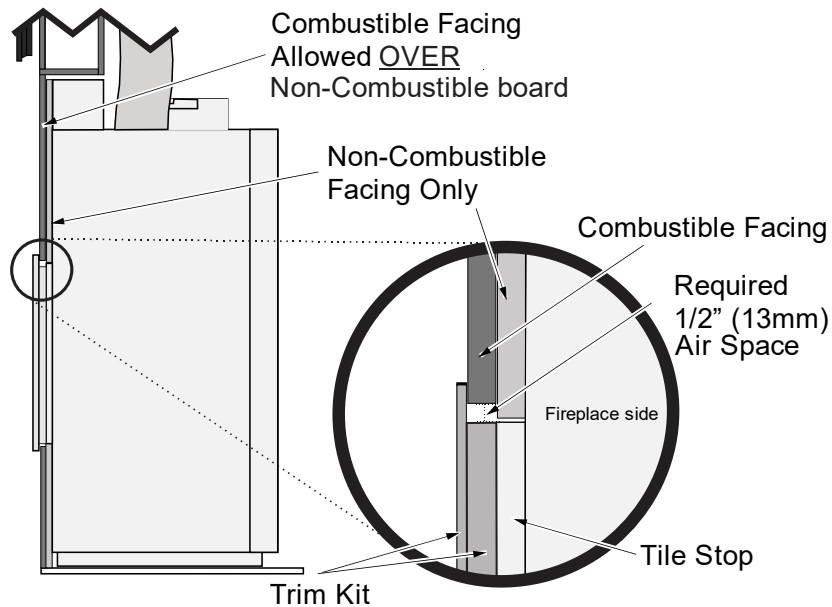
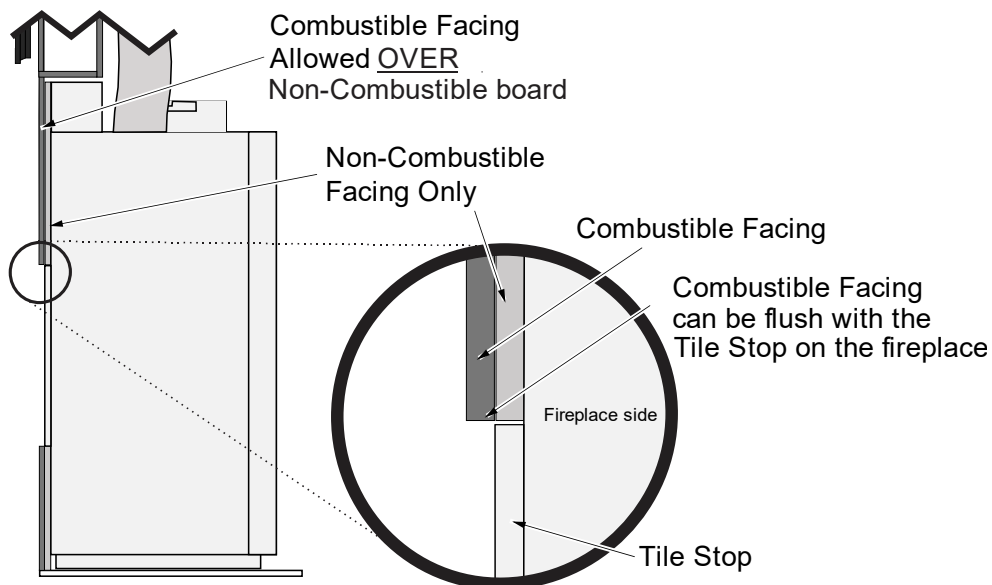
a	b	c	d	e
42" (1067mm)	2-7/8" (74mm)	1-1/4" (32mm)	41" (1042mm)	1-3/4" (45mm)

**CoolSmart TV - Combustible "Over-Facing" (Optional)**

When using the CoolSmart TV kit, Combustible material can be installed over the front of the fireplace. **The combustible material MUST be installed over 1/2" (13mm) non-combustible board.**

**WARNING:** If using a trim kit or the Gallery face, a 1/2" (13mm) air space is required from all four sides of the tile stop on the fireplace. If no trim is being used, the airspace is not required (see below for details).

**NOTE:** The maximum facing depth (combustible + non-combustible facing) is 1-1/4" (32mm). Any facing that extends farther than 1-1/4" (32mm) must meet mantel clearances.

**Over Facing WITH Trim Kit****Over Facing WITH OUT Trim Kit**

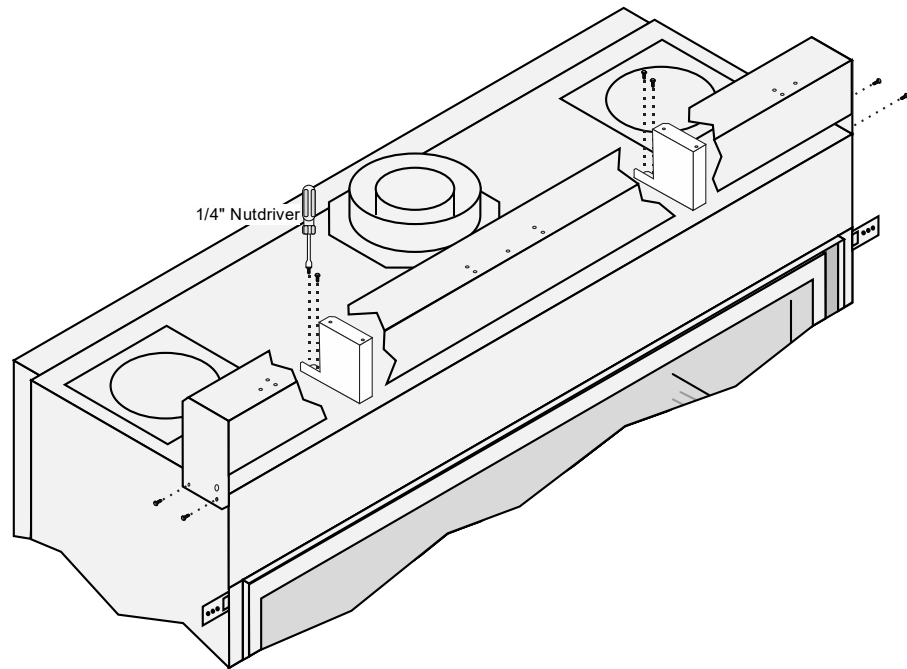
**WARNING:** The front of the appliance is subject to high temperatures which may cause discoloration and/or material degradation. Take this into account when choosing finishing materials.



## CoolSmart TV - Flush Facing Header Configuration and Facing

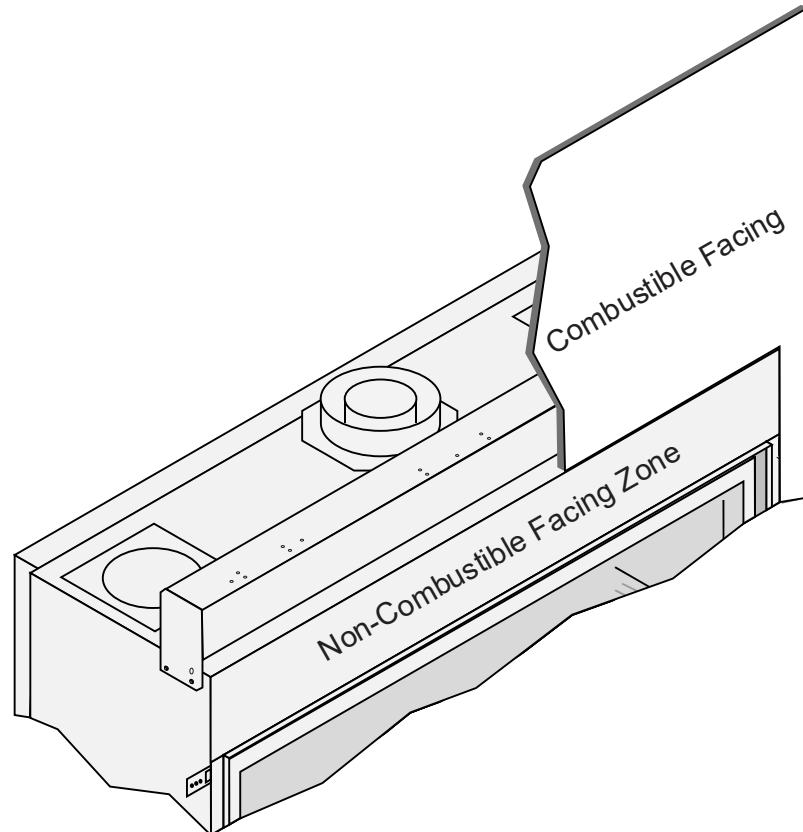
For installations where only non-combustible facing will cover the front of the appliance, the metal header can be moved back  $\frac{1}{2}$ " (13mm) to accommodate drywall installed flush with the front of the fireplace. The drywall can contact the top  $\frac{1}{2}$ " (13mm) of the fireplace top.

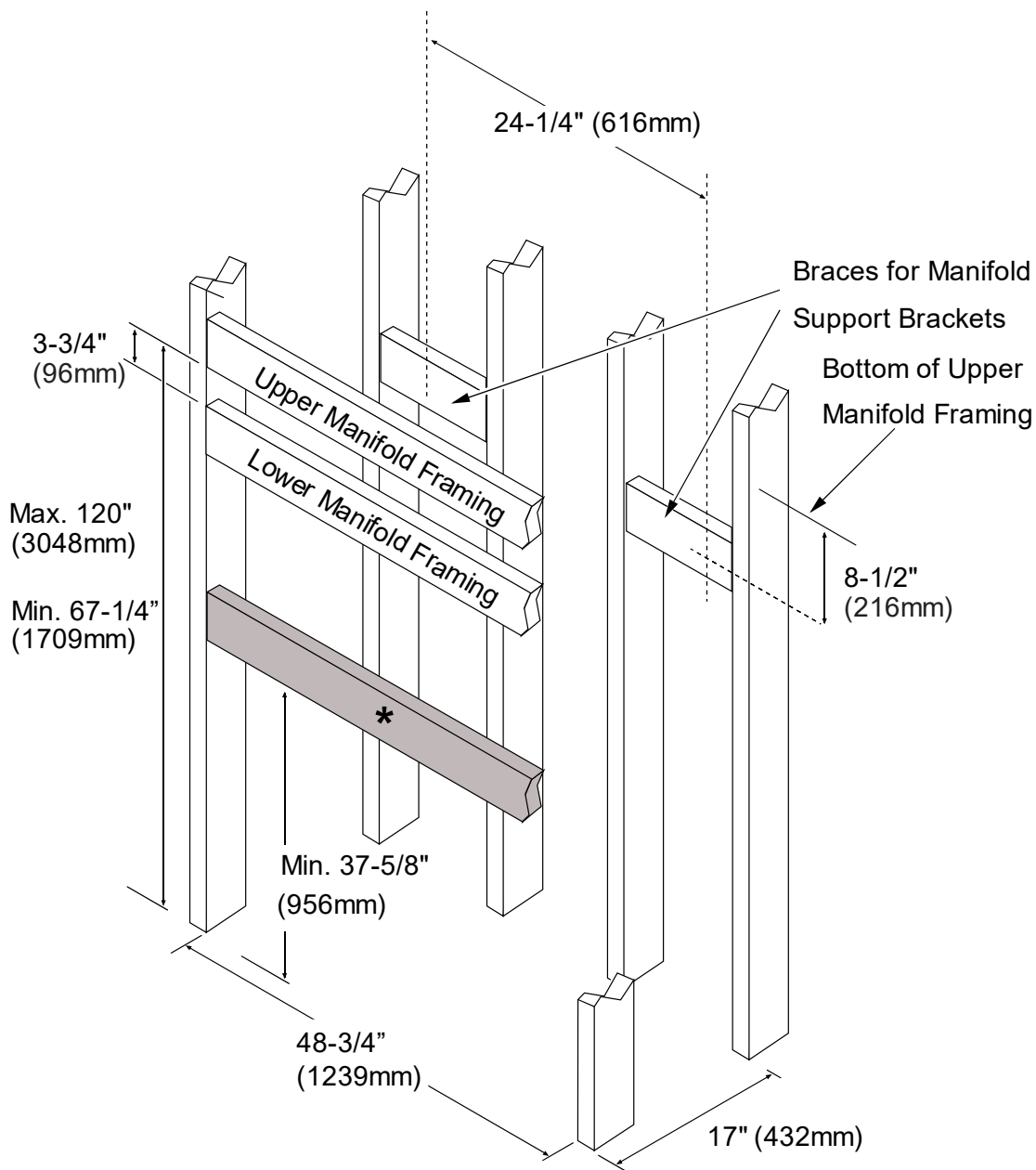
- Use a  $\frac{1}{4}$ " nut driver to remove the (8) screws that secure the header assembly to the top of the fireplace.
- Slide the header assembly back  $\frac{1}{2}$ " (13mm).
- Align the header assembly with the second set of holes in the fireplace. Reattach the assembly to the fireplace (use the screws removed in the first step).



**WARNING:** For flush installations, combustible facing can touch the first  $\frac{1}{2}$ " (13mm) of the fireplace box.

**ONLY NON-COMBUSTIBLE FACING** can cover the front of the appliance.

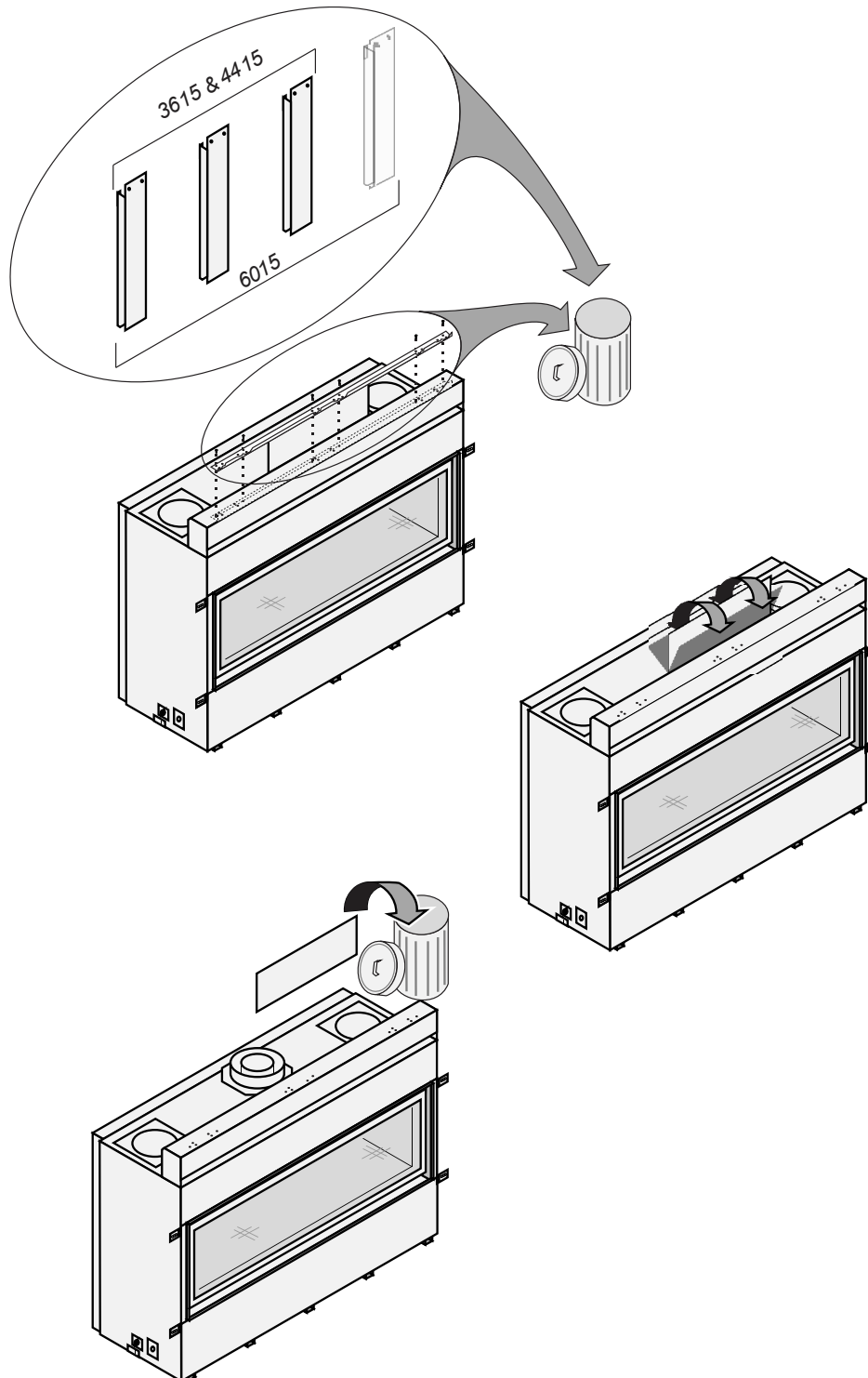


**CoolSmart TV - Framing the Chase**

\* The dark-shaded framing may be installed after the fireplace is put into position. It is used to provide support for the facing above the fireplace and nailing brackets.

### CoolSmart TV - Fireplace Preparation

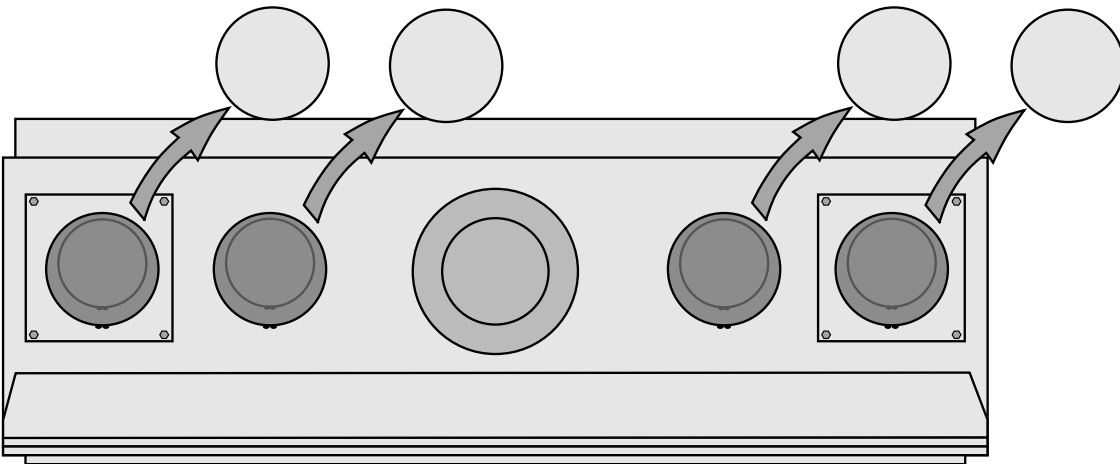
- When using the CoolSmart TV kit, you may discard the metal framing members included with the fireplace (3615 and 4415 have (3) and 6015 has (4)).
- Remove the screws that secure the sheetrock backer ("L" shaped metal bracket secured to the metal header of the unit) and discard the backer (see first illustration below). Bend the pipe heat shield back and forth until it snaps off of the metal header. Discard the heat shield (see middle and right illustrations below).



**WARNING:** In order to extract the heat properly from around the firebox, you will must remove (4) layers of cover plates for each of the (4) flex attachment points on the top of the fireplace. Not removing all of the cover plates can create hazardous conditions.

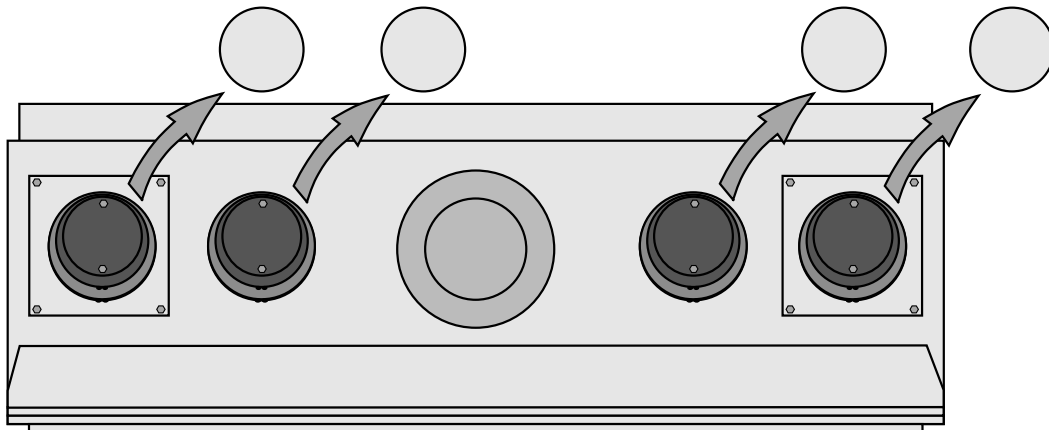
### First Layer

- Remove all (4) of the 5" knockouts (leave the square cover plates in place). Use snips or diagonal cutters to snip the tab on the knockouts. Press on the far side away from the tab to pop the edge of the knockout up. Grab on to the knockout with pliers and bend it back and forth until the remaining tabs break free. Discard the knock out plate.



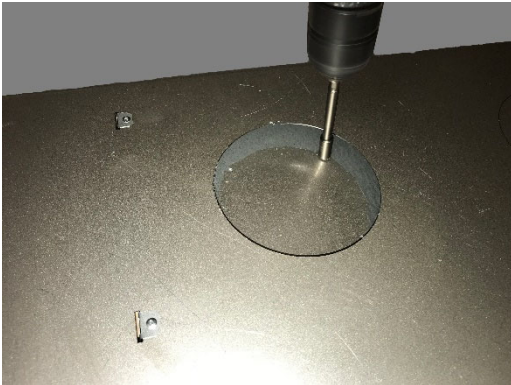
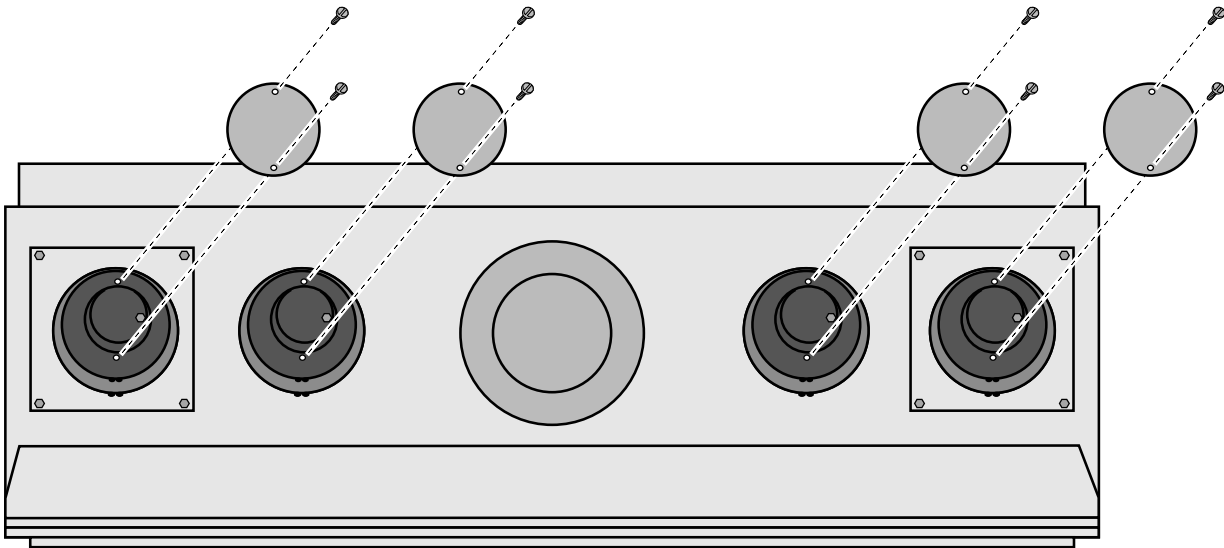
### Second Layer

- In each of the four holes, you will see the next layer of knockouts. Remove the knockouts using the same technique described above.



**Third Layer**

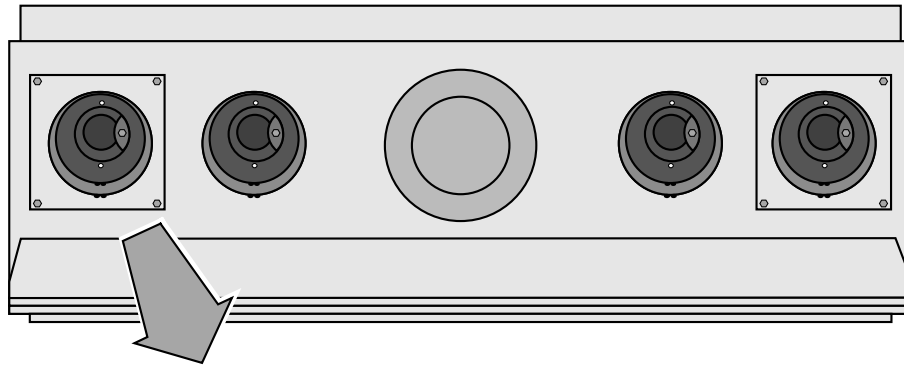
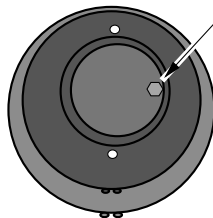
- Under the second layer of knockout plates, you will find cover plates held in place with (2) ¼" screws. Use a nut driver or drill with an extension to remove the (2) screws. Reach in and remove the cover plate. You may discard the plates.



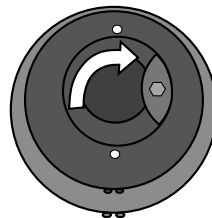
**Fourth (final) Layer**

- Once the third layer is removed, a final cover plate will be visible. Use a 1/4" nutdriver to loosen the screw securing the plate. Reach in and rotate the cover plate to uncover the final hole.

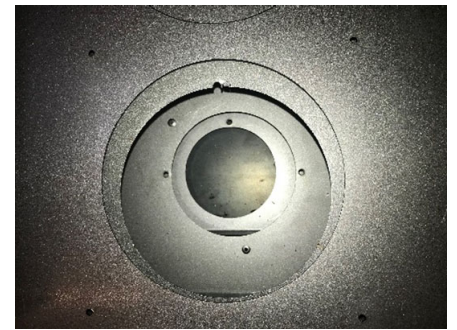
**NOTE:** The final plate does not get removed from the fireplace, just rotated to uncover the hole. Once the plate has been rotated, tighten the screw to lock the plate in place.

**a**

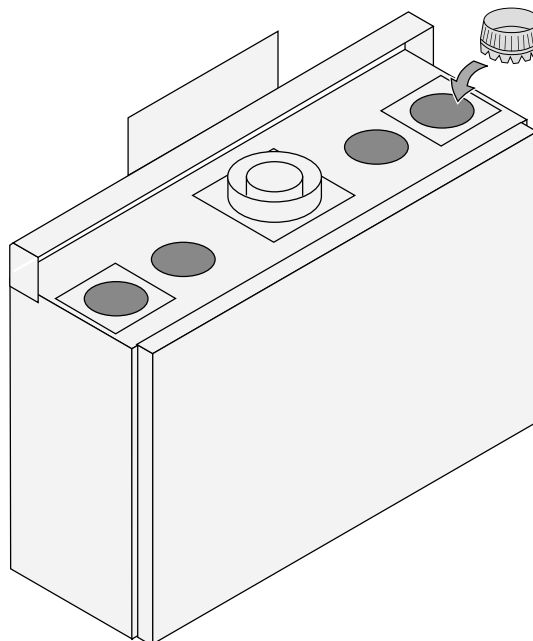
1/4" Nutdriver

**b**

**NOTE:** When all the plates have been removed, it should look like the image below.

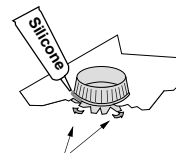


- Install the starter collars onto the fireplace (see below).



Starter Collar

Use silicone to seal the starter collar to the top of the fireplace.



Bend the tabs on the bottom of the starter collar up to lock it in place.

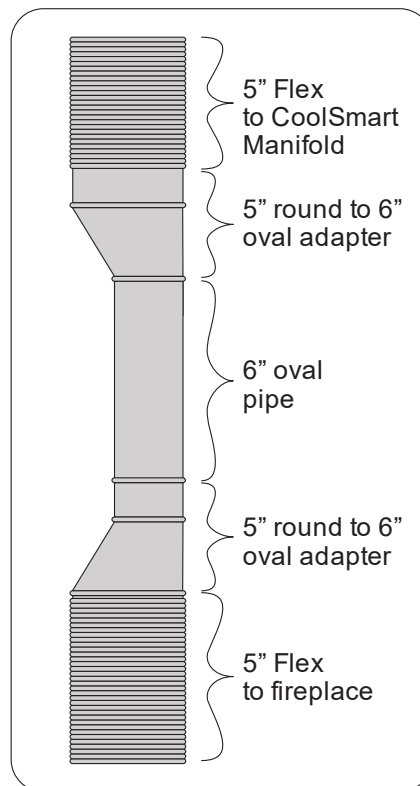
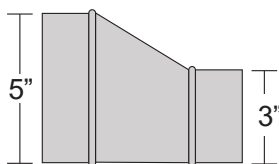
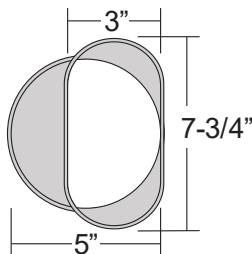
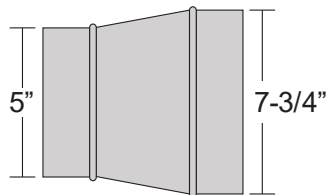
- Install the fireplace into the framed chase. See section "Installation" in the manual.

**CoolSmart TV - Using oval pipe to get past an obstruction**

If a situation arises that obstructs the CoolSmart flex vent runs (such as getting past a minimum sideways vent) you may transition the 5" flex vent to a ridged nominal 6" oval pipe to get past the obstruction. Transition back to the 5" round flex and continue to the manifold.

The adapters and ridged pipe should be factory ovalized, not field ovalized.

NOTE: All clearances to combustibles must be maintained.

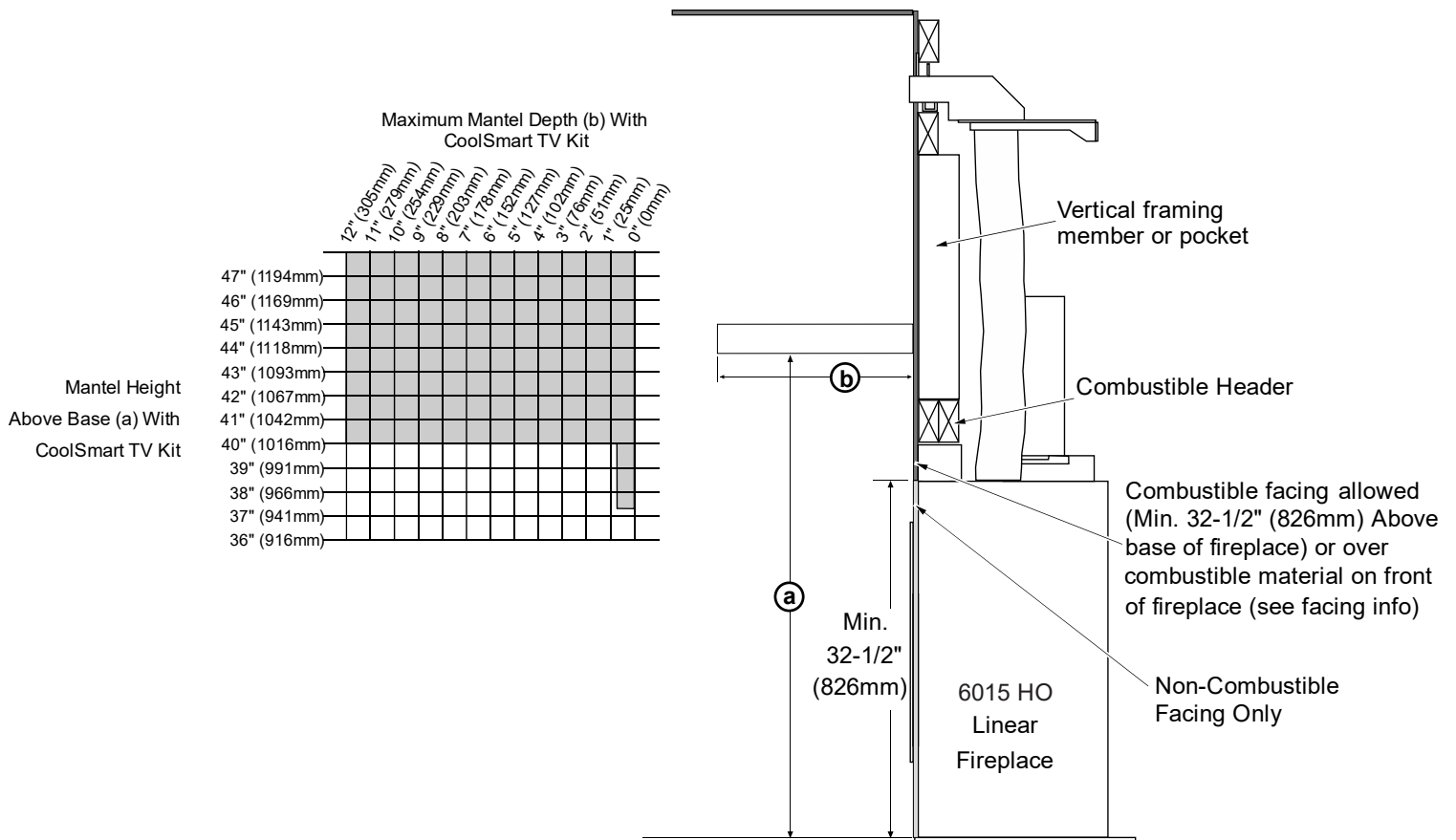


**CoolSmart TV – Mantel Clearances**

When using this kit, disregard the combustible mantel requirements in the manual and follow the requirements shown to the right.

If you wish to place a TV above the mantel, it must meet the following requirements:

- Minimum 1" (26mm) air gap behind TV to wall.
- The mantel must extend 2" (51mm) in front of the TV and 1" (26mm) to both sides.







Additional Items Required .....	7	LP Conversion Instructions .....	47
Air Shutter Adjustment .....	41	<b>Mantel Column Clearances</b> .....	38
Altitude Considerations .....	20	Mantel Requirements .....	38
Approved Vent .....	20	Minimum Framing Dimensions .....	12
Approved Vent Configurations .....	23	Overview .....	2
Clearances .....	8	Packing List .....	7
Corner Installations .....	15	Power Heat Duct Installation .....	52
Crushed Glass Installation .....	46	Raised Fireplaces .....	8
Diffuser .....	25	Recommended Installation Procedure .....	7
Dimensions .....	6	Restrictor Position .....	23
Electrical Connection .....	19	Safety Warnings .....	4
Exhaust Restrictor .....	23	Steps for Finalizing the Installation .....	40
Fireback Installation .....	44	Termination Requirements .....	30
Fireplace Placement Requirements .....	8	Vent Clearances .....	20
Fuel .....	17	Vent Configuration	
Gas Line Connection .....	17	Horizontal Termination with Vertical Rise ....	28
Gas Line Location .....	18	Horizontal Termination with Vertical Rise – 8	
Gas Line Requirements .....	17	.....	29
Glass Frame Removal and Installation .....	42	Vertical Termination .....	27
Hearth Requirements .....	31	Vent Firestop .....	20
Heating Specifications .....	6	Vent Installation .....	20
Installation Options .....	6	Vent Requirements .....	20
Intake Restrictor .....	24	Wiring Diagram .....	51