

Compatibility

- 864TRV 31K Std.
- 864TRV 31K CF
- 864TV 40K Std.
- 864TV 40K CF



For 864 fireplaces built prior to those listed above (2019), floor firebacks may be needed to complete the installation. Contact Travis Industries for details.

Packing List

- Rear Fireback
- (2) Side Firebacks

Tools Needed

- 1/4" Nut driver
- 5/16" Nut driver

Installation



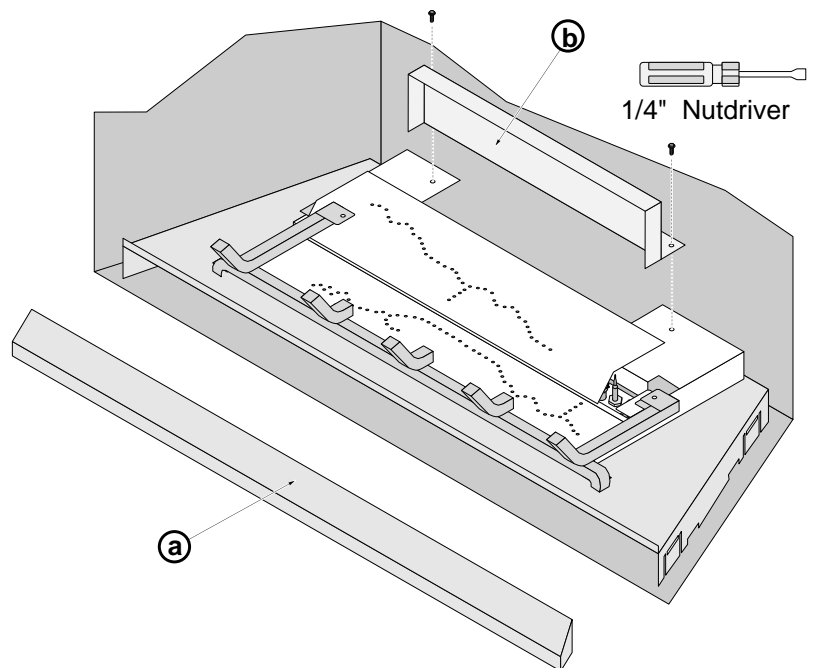
The firebacks are fragile (especially the rear fireback). Take care when handling the firebacks.

WARNING

Turn off gas to the appliance and make sure it has fully cooled prior to conducting service.

- 1 Remove the glass frame and logs (see the installation manual for details).

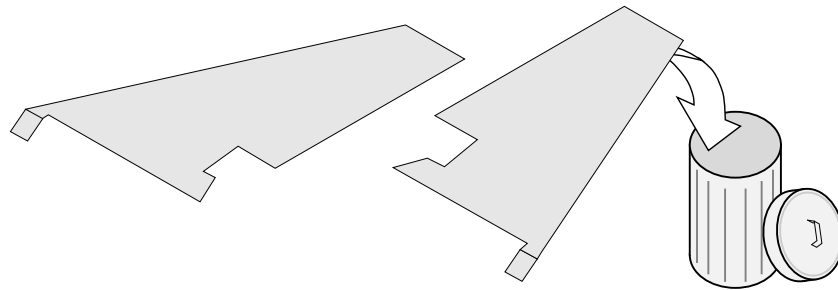
- 2 Remove the media tray skirt and rear air deflector.



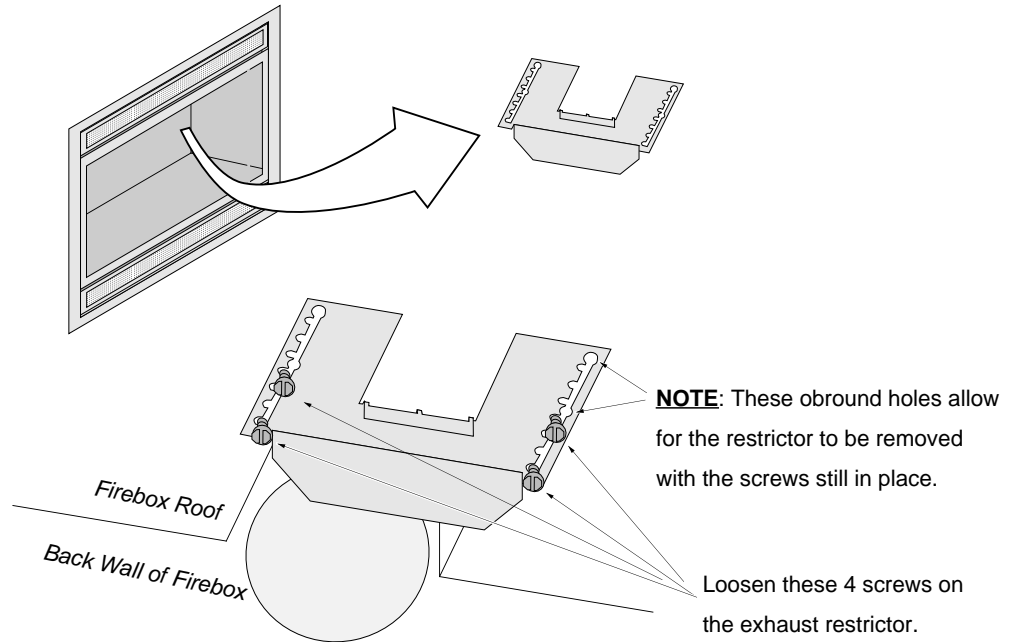
864 Fireback Installation

sku# 96100838 – 96100839 - 96100840 – 96100841 – 96100842 - 96100843

- 3 Remove and discard the media tray cover plates.

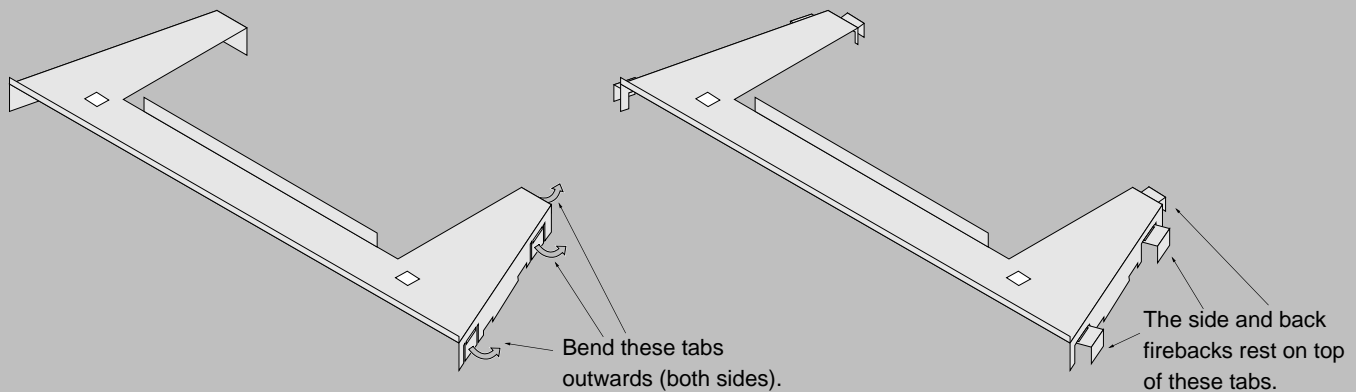


- 4 Remove the exhaust restrictor from the firebox ceiling (it is replaced after firebacks are installed).



Ledgestone Firebacks Only

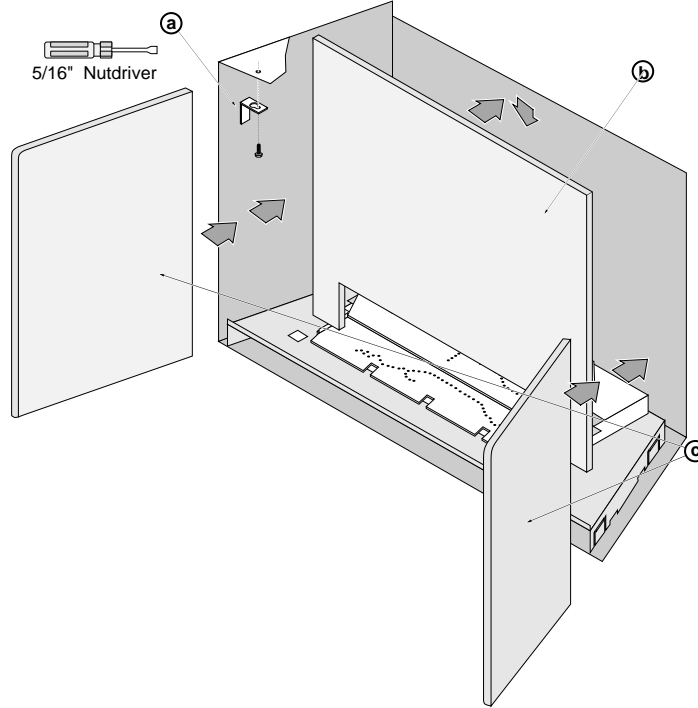
The tabs on the media tray must be bent out – see below. You will need to remove the media tray (2 screws hold it in place) to bend the tabs out.



864 Fireback Installation

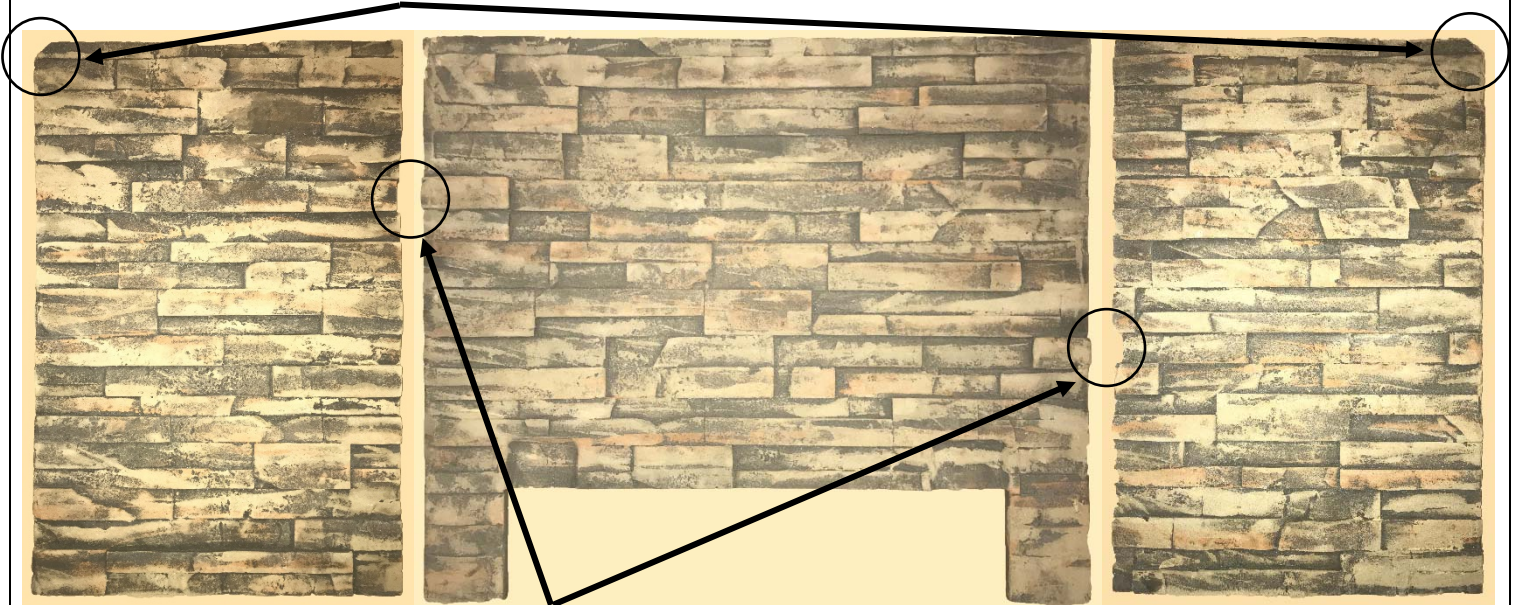
sku# 96100838 – 96100839 - 96100840 – 96100841 – 96100842 - 96100843

5. Remove the clips on both sides (these clips have key-holes, allowing removal without removing the screw – see “a” below). Place the rear fireback in position (see “b” below). The side fireback holds the rear fireback in place – support the rear fireback while installing the side fireback. Place the side firebacks in position (see “c” below). Secure using the screws and clips removed earlier.



Ledgestone Fireback Orientation – Each Side Has a Notch in the Upper Front Corner

Make sure the firebacks are oriented as shown below (the grout lines and coloring will line up). The side firebacks have notches in the front upper corners. Arrange the firebacks before installing to verify alignment.



NOTE: How these notches fit with the adjoining fireback.

6. Restore the fireplace to the correct configuration.