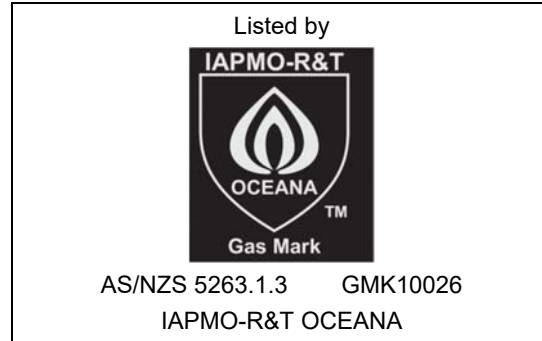
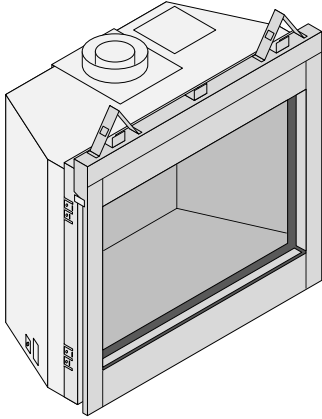




864 TV 40K CleanFace

- Direct Vent Fireplace
- Natural Gas or Propane
- Vent Horizontally or Vertically
- Standard Residential
- Mobile Home Approved



WARNING: If the information in these instructions is not followed exactly, a fire or explosion may result causing property damage, personal injury or loss of life.

- **DO NOT PLACE ARTICLES ON OR AGAINST THIS APPLIANCE.**
- **DO NOT USE OR STORE FLAMMABLE MATERIALS NEAR THIS APPLIANCE.**
- **DO NOT SPRAY AEROSOLS IN THE VICINITY OF THIS APPLIANCE WHILE IT IS IN OPERATION.**
- **DO NOT MODIFY THIS APPLIANCE.**
- Do not store or use gasoline or other flammable vapors and liquids in the vicinity of this or any other appliance.

WHAT TO DO IF YOU SMELL GAS

- Do not try to light any appliance.
- Do not touch any electrical switch; do not use any phone in your building.
- Immediately call gas supplier from a neighbor's phone. Follow the gas supplier's instructions.
- If you cannot reach your gas supplier, call the fire department.
- Installation and service must be performed by a qualified installer, service agency or the gas supplier.

This appliance may be installed in an aftermarket permanently located, manufactured home (USA only) or mobile home, where not prohibited by local codes.

This appliance is only for use with the type(s) of gas indicated on the rating plate. A conversion kit is supplied with the appliance.

WARNING



**HOT GLASS WILL CAUSE BURNS.
DO NOT TOUCH GLASS UNTIL COOLED.
NEVER ALLOW CHILDREN TO TOUCH GLASS.**

Installation Manual

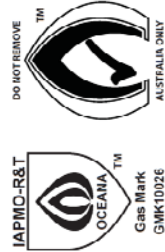
Installer: After installation give this manual to the homeowner and explain operation of this heater.

Dragon Wholesaling Pty. Ltd.
Unit 4, 16 Lexington Drive
Bella Vista NSW
Australia 2153

Overview

This manual details the installation requirements for the 864 TV 40K fireplace. For operating and maintenance instructions, refer to the 864 TV 40K Owner's Manual.

**864 CF 40K (Au)
Vented Gas Fireplace Heater**



Tested to the combustion performance and construction requirements of AS/NZS 5263.1.3 Gas Space Heating Appliances. This appliance must be installed in accordance with all local codes.

This 864 CF 40K appliance is equipped from the factory only for use with Natural Gas and is only for use with the type of gas indicated on the rating plate. For conversion to LP (Propane) use a certified kit supplied by the manufacturer. See owner's manual for information on making these changes.

This appliance may be installed in an aftermarket, permanently located, manufactured (mobile) home where not prohibited by local codes.

This vented gas fireplace heater is not for use with air filters. This appliance must be properly connected to a venting system in accordance with the manufacturer's installation instructions. Use only approved coaxial direct vent systems to vent this appliance to the exterior. See owner's manual for approved brands of venting.

WARNING: Improper installation, adjustment, alteration, service or maintenance can cause injury or property damage. Refer to the owner's information manual provided with this appliance. For assistance or additional information consult a qualified installer, service agency or the gas supplier.

This appliance is a Vented Gas Fireplace Heater. Not for use with Solid Fuel.

Young children should be carefully supervised at all times when they are in the same room as the appliance.

<p>Minimum Clearances to Combustibles</p> <table border="0"> <tr> <td>Fireplace to adjacent wall</td> <td>26 mm</td> <td>Sides to enclosure</td> <td>13 mm</td> </tr> <tr> <td>Back to enclosure</td> <td>13 mm</td> <td>Combustible floor under fireplace</td> <td>0 mm</td> </tr> <tr> <td>Header (from stand-offs)</td> <td>0 mm</td> <td>Base of fireplace to a mantle</td> <td>See Owner's Manual</td> </tr> </table>	Fireplace to adjacent wall	26 mm	Sides to enclosure	13 mm	Back to enclosure	13 mm	Combustible floor under fireplace	0 mm	Header (from stand-offs)	0 mm	Base of fireplace to a mantle	See Owner's Manual	<p>FAN TYPE VENTED CIRCULATOR</p> <p>Blower Electrical Rating: 240V, 1.5 Amps, 50 Hz, 150 Watts</p> <table border="0"> <tr> <td>Input Rate on "HI" (WJ/h)</td> <td>L.P.</td> <td>N.G.</td> <td>L.P.</td> <td>N.G.</td> </tr> <tr> <td>Input Rate on "LO" (WJ/h)</td> <td>42.2</td> <td>42.2</td> <td>2.75</td> <td>1.13</td> </tr> <tr> <td>Orifice Size - Front (DMS)</td> <td>11.2</td> <td>15.4</td> <td>3.24</td> <td>1.74</td> </tr> <tr> <td>Orifice Size - Rear (DMS)</td> <td>#55</td> <td>#43</td> <td>2.58</td> <td>.89</td> </tr> <tr> <td></td> <td>#C55</td> <td>#43</td> <td></td> <td></td> </tr> </table>	Input Rate on "HI" (WJ/h)	L.P.	N.G.	L.P.	N.G.	Input Rate on "LO" (WJ/h)	42.2	42.2	2.75	1.13	Orifice Size - Front (DMS)	11.2	15.4	3.24	1.74	Orifice Size - Rear (DMS)	#55	#43	2.58	.89		#C55	#43		
Fireplace to adjacent wall	26 mm	Sides to enclosure	13 mm																																			
Back to enclosure	13 mm	Combustible floor under fireplace	0 mm																																			
Header (from stand-offs)	0 mm	Base of fireplace to a mantle	See Owner's Manual																																			
Input Rate on "HI" (WJ/h)	L.P.	N.G.	L.P.	N.G.																																		
Input Rate on "LO" (WJ/h)	42.2	42.2	2.75	1.13																																		
Orifice Size - Front (DMS)	11.2	15.4	3.24	1.74																																		
Orifice Size - Rear (DMS)	#55	#43	2.58	.89																																		
	#C55	#43																																				
<p>This appliance is equipped for installation 0-610 m. For altitudes above 600m, the vent configuration, orifice, or combination of both may need to be changed. See owner's manual for information on making these changes.</p>																																						
<p>MANUFACTURE DATE:</p> <table border="0"> <tr> <td><input type="checkbox"/> 2019</td> <td><input type="checkbox"/> Jan.</td> <td><input type="checkbox"/> Apr.</td> <td><input type="checkbox"/> Jul.</td> <td><input type="checkbox"/> Oct.</td> </tr> <tr> <td><input type="checkbox"/> 2020</td> <td><input type="checkbox"/> Feb.</td> <td><input type="checkbox"/> May</td> <td><input type="checkbox"/> Aug.</td> <td><input type="checkbox"/> Nov.</td> </tr> <tr> <td><input type="checkbox"/> 2021</td> <td><input type="checkbox"/> Mar.</td> <td><input type="checkbox"/> Jun.</td> <td><input type="checkbox"/> Sep.</td> <td><input type="checkbox"/> Dec.</td> </tr> </table>		<input type="checkbox"/> 2019	<input type="checkbox"/> Jan.	<input type="checkbox"/> Apr.	<input type="checkbox"/> Jul.	<input type="checkbox"/> Oct.	<input type="checkbox"/> 2020	<input type="checkbox"/> Feb.	<input type="checkbox"/> May	<input type="checkbox"/> Aug.	<input type="checkbox"/> Nov.	<input type="checkbox"/> 2021	<input type="checkbox"/> Mar.	<input type="checkbox"/> Jun.	<input type="checkbox"/> Sep.	<input type="checkbox"/> Dec.	<p>Manufactured by:</p> <p>TRAVIS INDUSTRIES HOUSE OF FIRE 4800 Harbour Pointe Blvd, SW Mukilteo, WA 98275</p>																					
<input type="checkbox"/> 2019	<input type="checkbox"/> Jan.	<input type="checkbox"/> Apr.	<input type="checkbox"/> Jul.	<input type="checkbox"/> Oct.																																		
<input type="checkbox"/> 2020	<input type="checkbox"/> Feb.	<input type="checkbox"/> May	<input type="checkbox"/> Aug.	<input type="checkbox"/> Nov.																																		
<input type="checkbox"/> 2021	<input type="checkbox"/> Mar.	<input type="checkbox"/> Jun.	<input type="checkbox"/> Sep.	<input type="checkbox"/> Dec.																																		
<p>www.lopi.com.au</p>		<p>Certificate Holder:</p> <p>Dragon Wholesaling Pty. Ltd. Unit 4, 16 Lexington Drive Bella Vista NSW 2113 Australia</p>																																				

Table of Contents

Overview	2	Masonry Chimney Conversions	27
Installation Options	6	Class A Chimney Conversion	28
Heating Specifications	6	Termination Requirements	29
Dimensions	6	Hearth Requirements	30
Packing List	7	Optional Tile Stop Removal	31
Additional Items Required	7	Facing Requirements	32
Installation Overview	7	Mantel Requirements	33
Recommended Installation Procedure	7	Combustible Mantels	33
Standoff and Drywall Support Preparation	8	Steps for Finalizing the Installation	34
Fireplace Placement Requirements	9	Air Shutter Adjustment.....	35
Clearances	9	Barrier Removal	36
Raised Fireplaces	9	Glass Frame Removal and Installation	37
Minimum Framing Dimensions.....	10	Glass Frame Removal and Installation	
Televisions Placed Above the Fireplace	11	(continued)	38
Using a Mantel Between the Fireplace and Television	11	Fireback Configuration Notes (Optional	
Using a Buildout Above Fireplace and Television.....	12	Fireback)	39
Using a Buildout Below a Television	13	Media Tray Configuration	39
Nailing Brackets	14	Media Tray Covers	39
Corner Installations	15	Ember bed Glass and Ember Material	
Outdoor Fireplace Installations	15	Installation	40
Gas Line Requirements	16	Ember bed Glass Installation.....	40
Fuel	16	Ember Material Installation	41
Gas Line Connection.....	16	Standard Log Set Installation (9450072)	42
Gas Inlet Pressure	16	Log Set Overview	42
Gas Line Location	17	Back Log.....	43
Converting Gas Line to the Left Side	17	Right Log	43
Electrical Connection (required)	18	Front Left Log	44
Accessing the Area Under the Burner	19	Left Log.....	44
Vent Requirements	20	Center Twig	45
Vent Clearances.....	20	Front Ember Chunk	45
Altitude Considerations	20	Left Twig	46
Approved Vent	21	Center Left Twig	46
Approved Terminations	21	Center Log.....	47
Vent Installation.....	21	Right Twig.....	47
Approved Vent Configurations	22	Rock Wool Placement	48
Restrictor Position	22	LP Conversion Instructions	49
Exhaust Restrictor Adjustment.....	22	CoolSmart / Power Heat Duct Installation	52
Intake Restrictor Adjustment.....	23	Power Heat Duct.....	52
Diffuser Plate Adjustment.....	24	CoolSmart TV	52
Vent Configuration - Horizontal Termination	25	Wiring Diagram	53
Top Vent Configuration with Vertical		Index	54
Termination	26		

Safety Warnings

- Failure to follow all of the requirements may result in property damage, bodily injury, or even death.

Young children should be carefully supervised when they are in the same room as the appliance. Toddlers, young children and others may be susceptible to accidental contact burns. A physical barrier is recommended if there are at risk individuals in the house. To restrict access to a fireplace or stove, install an adjustable safety gate to keep toddlers, young children and other at risk individuals out of the room and away from hot surfaces.

Children and adults should be alerted to the hazards of high surface temperature and should stay away to avoid burns or clothing ignition. Do not touch the hot surfaces of the heater. Educate all children of the danger of a high-temperature heater.

Due to the high temperature, the heater should be located out of traffic and away from furniture and draperies.

- This unit must be installed by a qualified installer to prevent the possibility of an explosion.
- This appliance must be installed in accordance with all local codes, if any; if not, in U.S.A. follow ANSI Z223.1 and NFPA 54(88), in Canada follow CSA B149.1.
- A manufactured home (USA only) or mobile home OEM installation must conform with the Manufactured Home Construction and Safety Standard, Title 24 CFR, Part 3280, or, when such a standard is not applicable, the Standard for Manufactured Home Installations, ANSI/NCSCBS A225.1, or Standard for Gas Equipped Recreational Vehicles and Mobile Housing, CSA Z240.4. This appliance may be installed in Manufactured Housing only after the home is site located.
- All exhaust gases must be vented outside the structure of the living-area. Combustion air is drawn from outside the living-area structure. The venting must not be connected to a chimney flue serving a separate solid-fuel burning appliance.
- Notify your insurance company before hooking up this fireplace.
- The instructions in this manual must be strictly adhered to. Do not use makeshift methods or compromise in the installation. Improper installation will void the warranty and safety listing.
- This heater is approved for use with natural gas (NG) or propane (LP). Burning the incorrect fuel will void the warranty and safety listing and may cause an extreme safety hazard. Direct questions about the type of fuel used to your dealer.
- Contact your local building officials to obtain a permit and information on any installation restrictions or inspection requirements in your area.
- If the flame becomes sooty, dark orange in color, or extremely tall, do not operate the heater. Call your dealer and arrange for proper servicing.
- It is imperative that control compartments, screens, or circulating air passageways of the heater be kept clean and free of obstructions. These areas provide the air necessary for safe operation.
- Do not operate the heater if it is not operating properly in any fashion or if you are uncertain. Call your dealer for a full explanation of your heater and what to expect.
- Do not store or use gasoline or other flammable liquids in the vicinity of this heater.
- Do not operate if any portion of the heater was submerged in water or if any corrosion occurs. Immediately call a qualified service technician to inspect the appliance and to replace any part of the control system and any gas control which has been under water.

Safety Warnings (continued)

- Because this heater can be controlled by a thermostat there is a possibility of the heater turning on and igniting any items placed on or near the appliance.
- Light the heater using the built-in igniter. Do not use matches or any other external device to light your heater.
- Never remove, replace, modify or substitute any part of the heater unless instructions are given in this manual. All other work must be done by a trained technician. Don't modify or replace orifices.
- The viewing glass should be opened only for conducting service (or lighting the pilot on millivolt units).
- Allow the heater to cool before carrying out any maintenance or cleaning.
- Operate the heater according to the instructions included in this manual.
- If the main burners do not start correctly turn the gas off and call your dealer for service.
- This unit is not for use with solid fuel.
- Do not place anything inside the firebox (except the optional artwork).
- **Warning:** Do not operate appliance with the glass front removed, cracked or broken. Replacement of the glass should be done by a licensed or qualified service person.
- Do not throw this manual away. This manual has important operating and maintenance instructions that you will need at a later time. Always follow the instructions in this manual.
- Instruct everyone in the house how to shut gas off to the appliance and at the gas main shutoff valve. The gas main shutoff valve is usually next to the gas meter or propane tank and requires a wrench to shut off.
- A barrier designed to reduce the risk of burns from the hot viewing glass is provided with this appliance and shall be installed for the protection of children and other at-risk individuals.
- If the barrier becomes damaged, the barrier shall be replaced with the manufacturer's barrier for this appliance.
- Clothing or other flammable material should not be placed on or near the appliance.
- Any safety screen, guard, or barrier removed for servicing an appliance must be replaced prior to operating the appliance.
- Installation and repair should be done by a qualified service person. The appliance should be inspected before use and at least annually by a professional service person. More frequent cleaning might be required due to excessive lint from carpeting, bedding material, et cetera. It is imperative that control compartments, burners, and circulating air passageways of the appliance be kept clean.
- **Travis Industries, Inc. grants no warranty, implied or stated, for the installation or maintenance of your heater, and assumes no responsibility of any consequential damage(s).**

SAFETY WARNINGS:

- **DO NOT PLACE ARTICLES ON OR AGAINST THIS APPLIANCE.**
- **DO NOT USE OR STORE FLAMMABLE MATERIALS NEAR THIS APPLIANCE.**
- **DO NOT SPRAY AEROSOLS IN THE VICINITY OF THIS APPLIANCE WHILE IT IS IN OPERATION.**
- **DO NOT MODIFY THIS APPLIANCE.**
- **THIS INSTALLATION MUST CONFORM WITH THE FOLLOWING:**
 - Manufacturer's Installation instructions
 - Local Gas Fitting Regulations
 - Municipal Building Codes,
 - Refer to AS/NZS 5601.1 for Gas Installations.
 - S.A.A. Wiring Code
 - Local Electrical Regulations
 - Any other statutory regulations
- **NOT SUITABLE FOR MARINE USE.**
- **NOT INTENDED FOR FIREPLACE INSERT.**
- **APPLIANCES INCORPORATING A LIVE FUEL EFFECT, AND DESIGNED TO OPERATE WITH LUMINOUS FLAMES, MAY EXHIBIT SLIGHT CARBON DEPOSITION.**

Travis Gas Fireplaces, Stoves, and Inserts are protected by one or more of the following patents; U.S. 8,469,021, 7,066,170, 6,602,068, 6,443,726, 6,953,037; Canada 2755517 as well as other U.S. and Foreign Patents pending.

6

Features and Specifications

Installation Options

- Residential or Mobile Home
- Straight or Corner Placement
- Flush or Recessed Face
- Raised or Floor Placement
- Internal or External Chase
- Horizontal or Vertical Vent
- Bedroom Approved

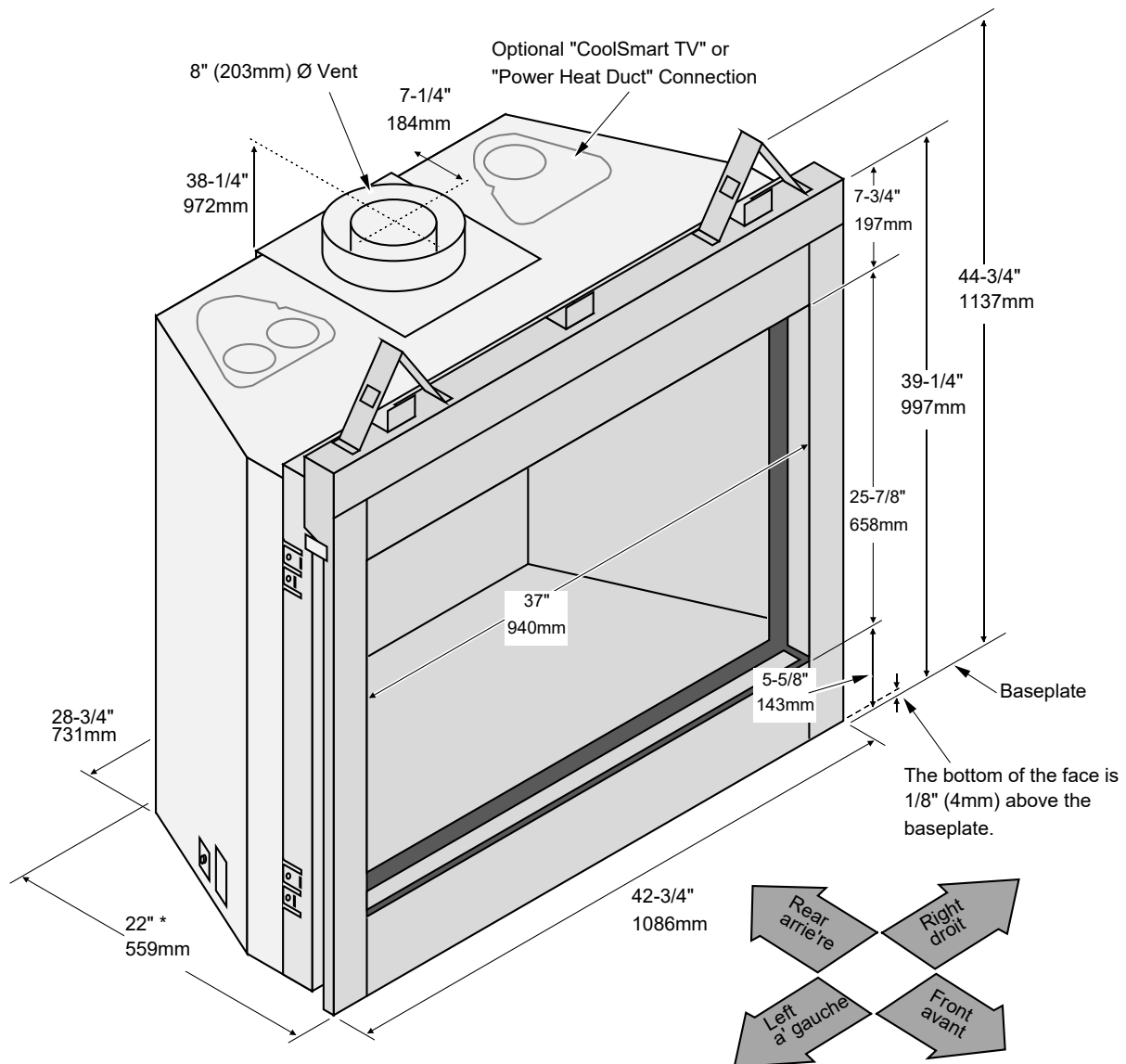
Heating Specifications

	Natural Gas	Propane
Approximate Heating Capacity (in square meters)*	112 to 186	112 to 186
Maximum Input megajoules/hour (MJ)	42.2	42.2

* Heating capacity will vary with floor plan, insulation, and outside temperature.

** Efficiency rating is a product thermal efficiency rating determined under continuous operation independent of installed system.

Dimensions



Packing List

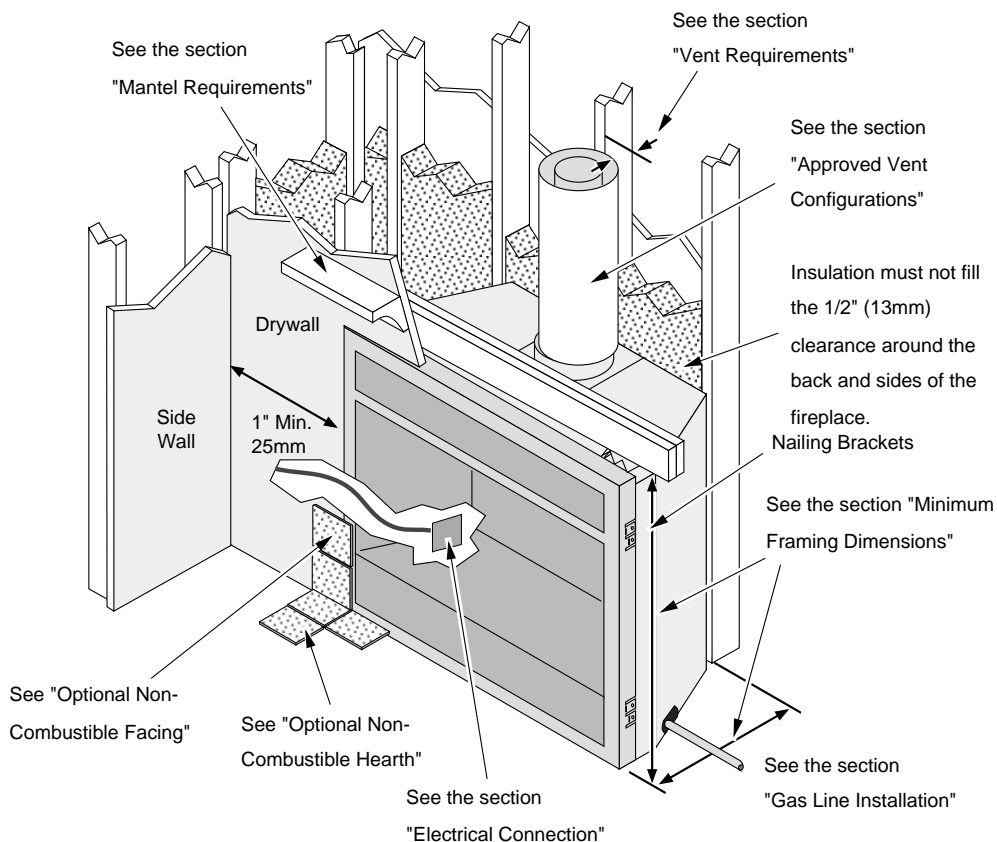
- Propane Conversion Kit (2 orifices, pilot orifice)
- Wall Thimble
- Remote Control
- Embers, Rock Wool, EmberBed Glass

Additional Items Required

- Log Set
- Direct Vent
- Gas Line Equipment (shutoff valve, pipe, etc.)
- Electrical Equipment (min. 14 gauge, grounded line)

Installation Overview

- All requirements below must be met.



Recommended Installation Procedure

- Frame the opening for the fireplace. Make sure to allow for vent installation.
- This fireplace is designed to accommodate 1/2" (13mm) or 5/8" (16mm) drywall (see "Nailing Brackets" on page 14 for details). Secure the fireplace to the framing.
- Install the vent, gas line and electrical hook-up.
- Install the drywall.
- Install the hearth (if applicable).
- Install the facing (if applicable).
- Install the mantel (if applicable).
- Finalize the installation (see page 34).

8 Finalizing the Installation (for qualified installers only)

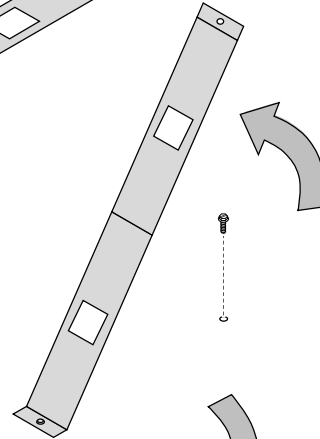
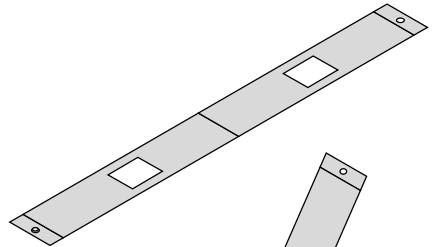
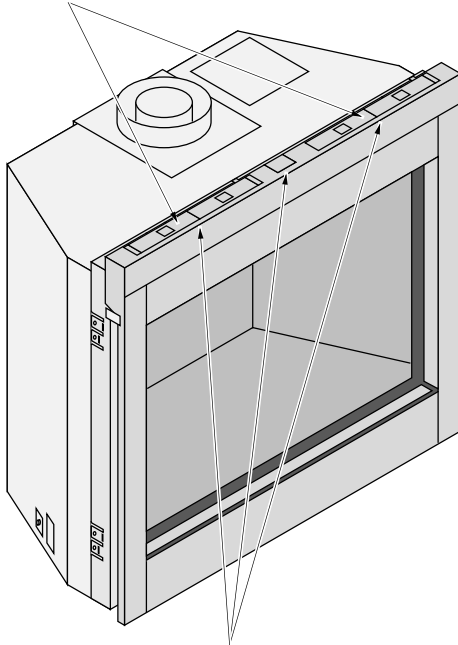
Standoff and Drywall Support Preparation

- The two standoffs and three drywall supports are shipped in the flat position. Make sure to bend (and secure) the standoffs and drywall supports as shown below.

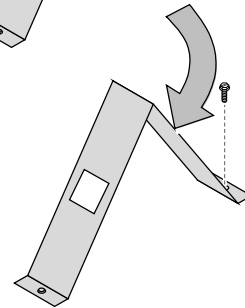
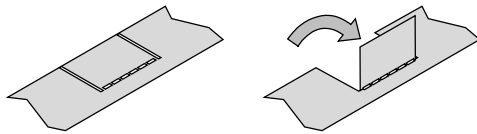
Bend both standoffs as shown below.

Remove the screw from the top of the fireplace and secure the standoff as shown.

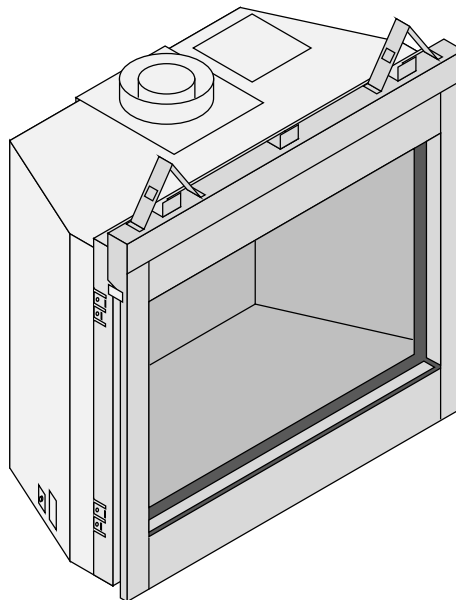
The two standoffs are shipped flat.



Bend the three drywall supports up 90 degrees (the outer two are concealed when the standoffs are flat).



When in place, the standoffs and drywall supports should look as shown to the right.



Fireplace Placement Requirements

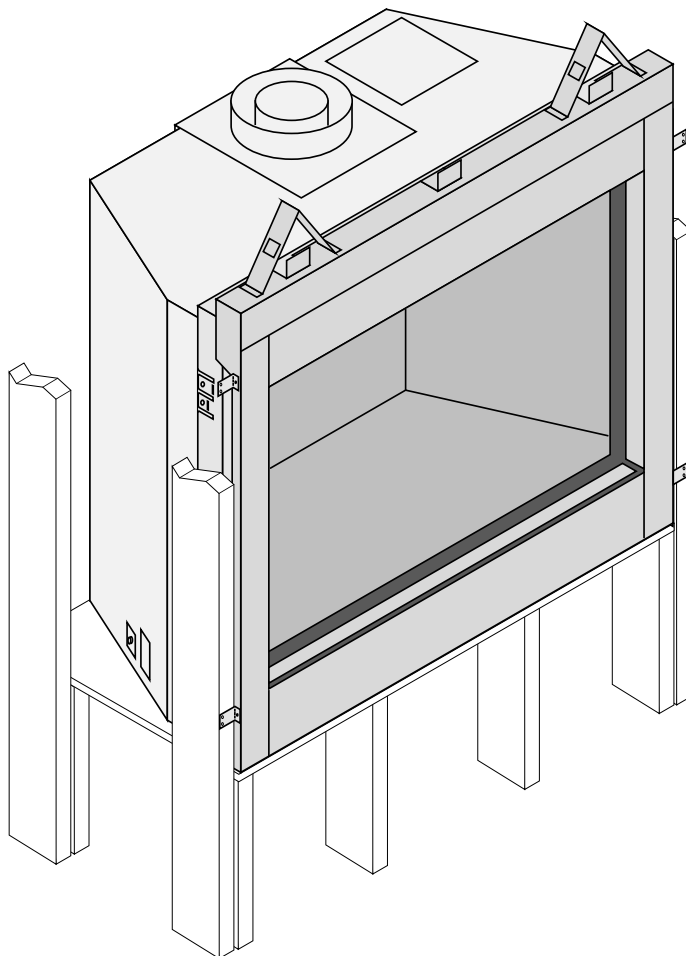
- Fireplace must be installed on a level surface capable of supporting the fireplace and vent
- Fireplace must be placed directly on wood or non-combustible surface (not on linoleum or carpet)
- This heater may be placed in a bedroom. Please be aware of the large amount of heat this appliance produces when determining a location.

Clearances

- The fireplace requires a 1/2" (13mm) clearance from the angled sides and back of the fireplace to the framing members. No material (insulation, framing, etc.) may be placed into this area.
- When installed, walls in front of the fireplace must be a minimum 1" (25mm) to the side of the fireplace.
- Due to the high temperature, the heater should be located out of traffic and away from furniture and draperies.
- Fireplace must be placed so the vents below and above the glass do not become blocked.

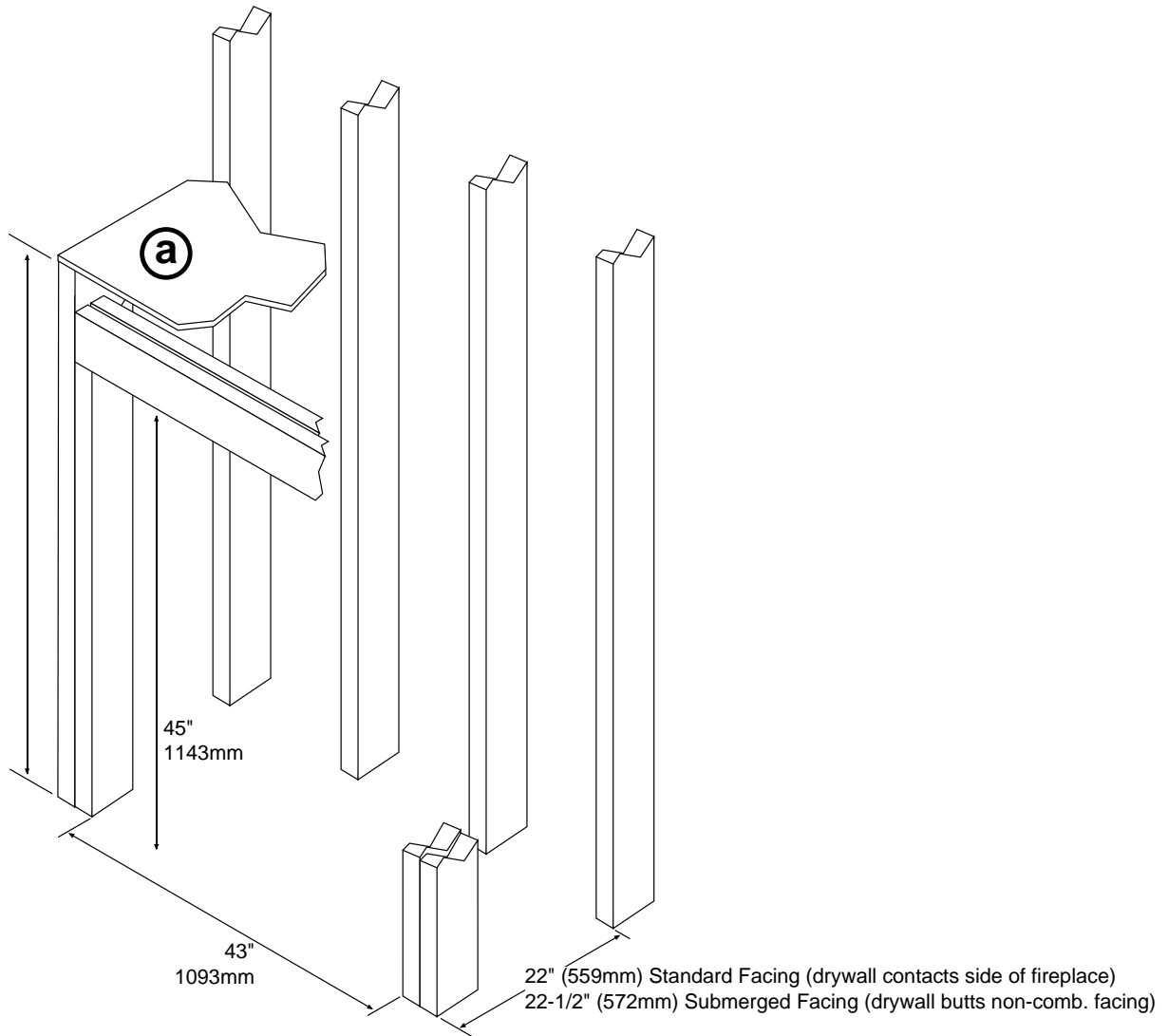
Raised Fireplaces

- The fireplace (and hearth, if desired) may be placed on a platform designed to support the fireplace (205 Lbs. 93 Kg) and vent.
- The base of the fireplace must be a minimum 70" (1778mm) below the room ceiling.



10 Finalizing the Installation (for qualified installers only)

Minimum Framing Dimensions



a Minimum enclosure height = 62-3/4" (1594mm)

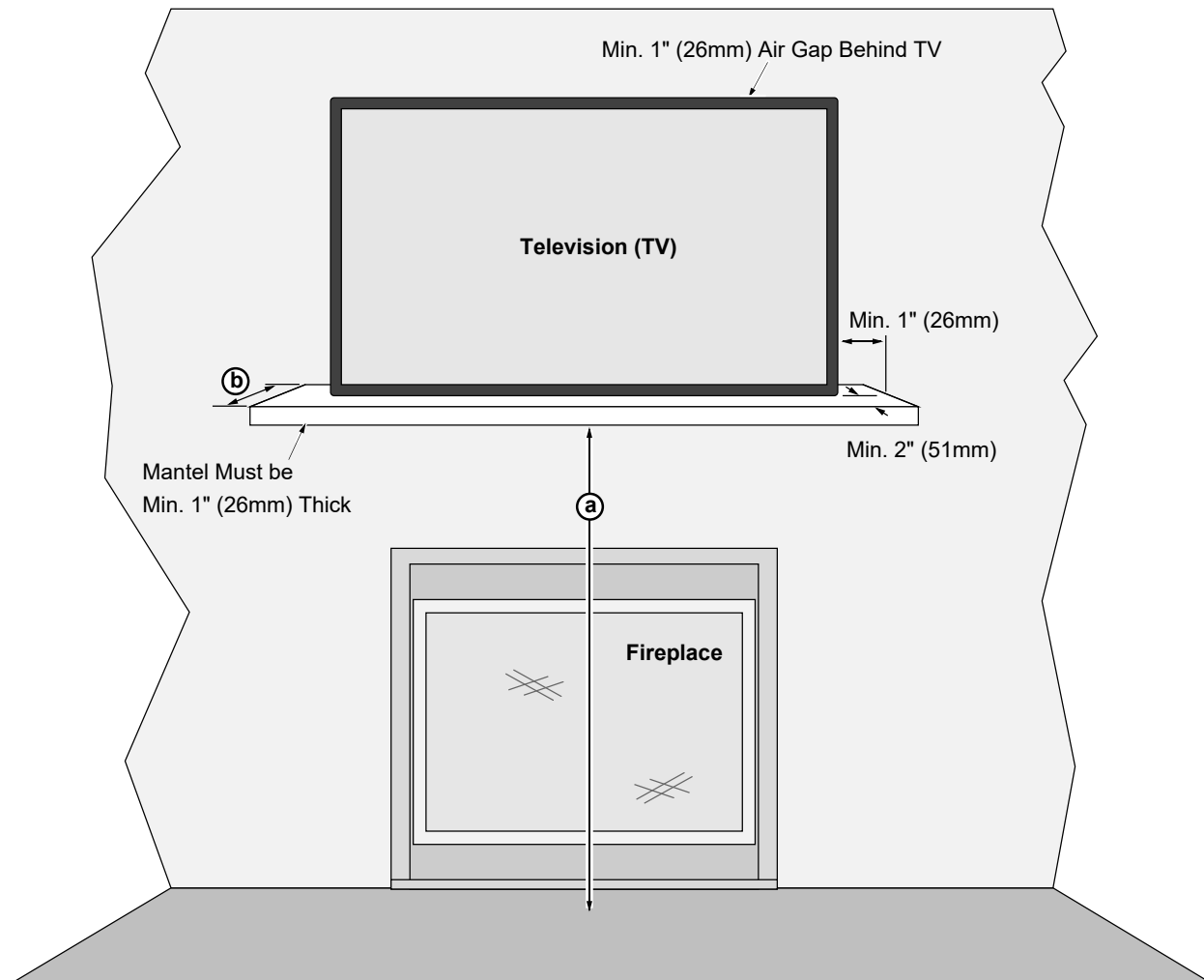
Televisions Placed Above the Fireplace

The following section details three methods to allow for television installation above the fireplace.

Using a Mantel Between the Fireplace and Television

IMPORTANT NOTE REGARDING TELEVISIONS AND THIS FIREPLACE

Most television manufacturers instruct the homeowner to not place the television above a heat source. Doing so may negatively affect the longevity of the television and may negate the warranty. If you do place a television above the fireplace, please be aware of the large amount of heat generated by the fireplace and consider placing the television above a mantel to reduce the amount of heat that reaches the television. The homeowner must understand that Travis Industries does not take responsibility for any negative impact to televisions placed near this fireplace.



Minimum Dimensions:

(a) Minimum Mantel Height above Base of Fireplace*	44-3/4" (1137mm) with 8" (203mm) mantel depth
(b) Mantel Depth*	Minimum 8" (203mm)*

*** Mantel depth is 8" (203mm) minimum to allow heat to travel forward and dissipate. If using more than an 8" (203mm) mantel, make sure to make the mantel height (a) higher (see mantel requirements on page 33 for details).**

NOTE: The mantel must extend 2" (51mm) in front of the TV and 1" (26mm) to both sides. If you have a TV that is greater than 6" (153mm) deep (including the 1" (26mm) gap behind), you will need to alter the mantel depth and height.

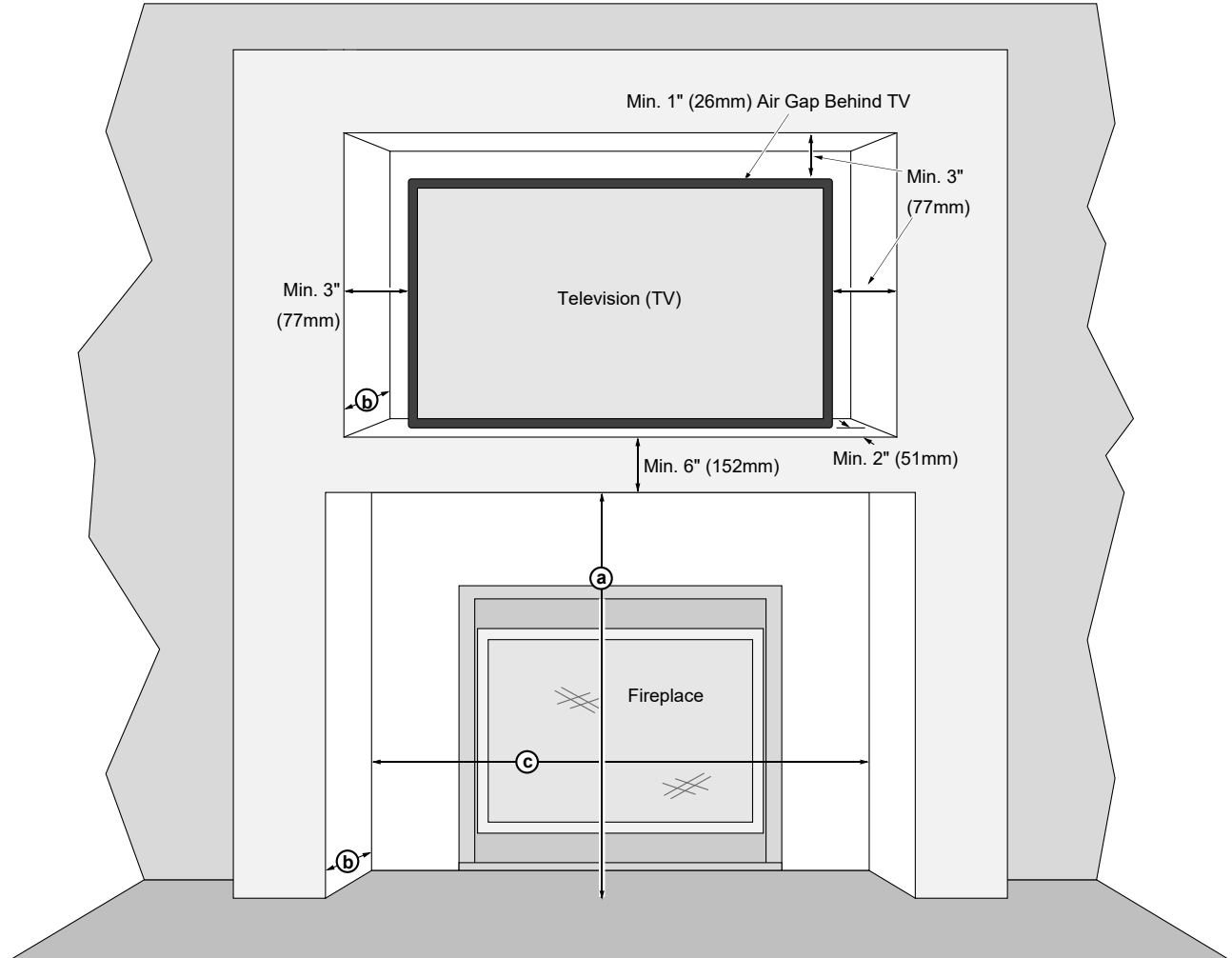
WIRING NOTE: If running wiring into the enclosure, use thermal insulating wrap around the wiring. Secure the wiring to protect from contact with hot surfaces.

12 Finalizing the Installation (for qualified installers only)

Using a Buildout Above Fireplace and Television

IMPORTANT NOTE REGARDING TELEVISIONS AND THIS FIREPLACE

Most television manufacturers instruct the homeowner to not place the television above a heat source. Doing so may negatively affect the longevity of the television and may negate the warranty. If you do place a television above the fireplace, please be aware of the large amount of heat generated by the fireplace and consider placing the television above a mantel to reduce the amount of heat that reaches the television. The homeowner must understand that Travis Industries does not take responsibility for any negative impact to televisions placed near this fireplace.



Minimum Dimensions:

(a) Minimum Buildout Height above Base of Fireplace*	44-3/4" (1137mm) with 8" (203mm) buildout depth
(b) Minimum Fireplace/TV Buildout Depth*	Minimum 8" (203mm)*
(c) Fireplace Buildout Width	43" (1093mm)

*** Buildout depth is 8" (203mm) minimum to allow heat to travel forward and dissipate. If using more than an 8" (203mm) buildout, make sure to make the buildout height (a) higher (buildout must meet mantel requirements - see page 33 for details).**

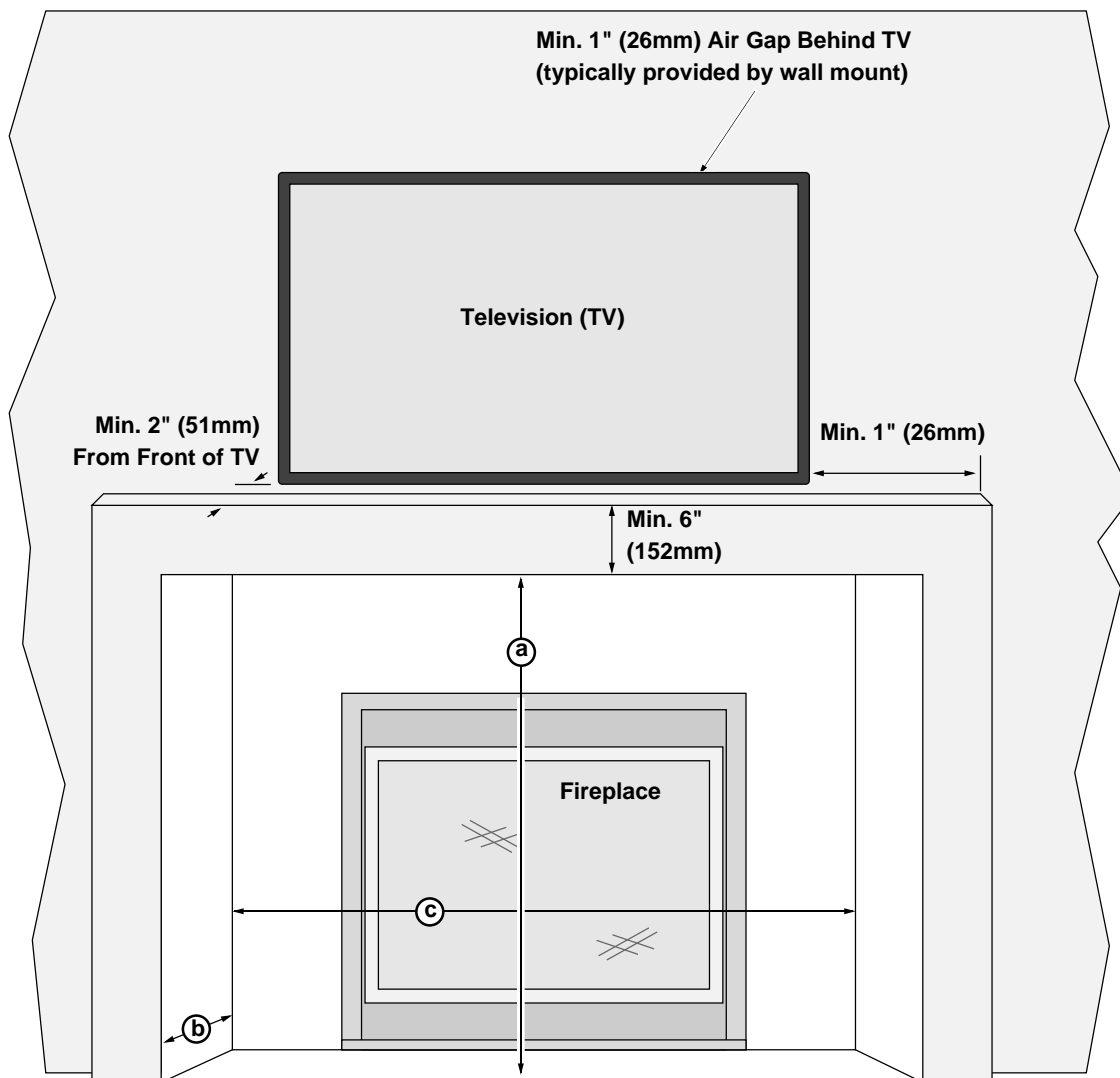
NOTE: The buildout must extend 2" (51mm) in front of the TV and 3" (77mm) to both sides and top. If you have a TV that is greater than 6" (153mm) deep (including the 1" (26mm) gap behind), you will need to alter the buildout depth and height.

WIRING NOTE: If running wiring into the enclosure, use thermal insulating wrap around the wiring. Secure the wiring to protect from contact with hot surfaces.

Using a Buildout Below a Television

IMPORTANT NOTE REGARDING TELEVISIONS AND THIS FIREPLACE

Most television manufacturers instruct the homeowner to not place the television above a heat source. Doing so may negatively affect the longevity of the television and may negate the warranty. If you do place a television above the fireplace, please be aware of the large amount of heat generated by the fireplace and consider placing the television above a mantel to reduce the amount of heat that reaches the television. The homeowner must understand that Travis Industries does not take responsibility for any negative impact to televisions placed near this fireplace.



Minimum Dimensions:

(a) Minimum Buildout Height above Base of Fireplace*	44-3/4" (1137mm) with 8" (203mm) buildout depth
(b) Minimum Buildout Depth*	Minimum 8" (203mm)*
(c) Fireplace Buildout Width	43" (1093mm)

*** Buildout depth is 8" (203mm) minimum to allow heat to travel forward and dissipate. If using more than an 8" (203mm) buildout, make sure to make the buildout height (a) higher (buildout must meet mantel requirements - see page 33 for details).**

NOTE: The buildout must extend 2" (51mm) in front of the TV and 3" (77mm) to both sides and top. If you have a TV that is greater than 6" (152mm) deep (including the 1" (26mm) gap behind), you will need to alter the buildout depth and height.

WIRING NOTE: If running wiring into the enclosure, use thermal insulating wrap around the wiring. Secure the wiring to protect from contact with hot surfaces.

14 Finalizing the Installation (for qualified installers only)

Nailing Brackets

The fireplace has nailing brackets on both sides. Once in place, secure the fireplace to the framing.

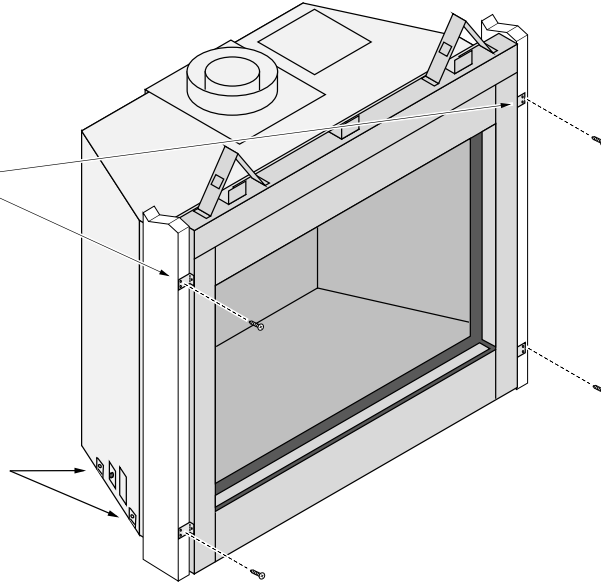
NOTE: Make sure the fireplace is square and plumb when securing the fireplace.

SPECIAL NOTE WHEN USING "SUBMERGED FACING" OPTION

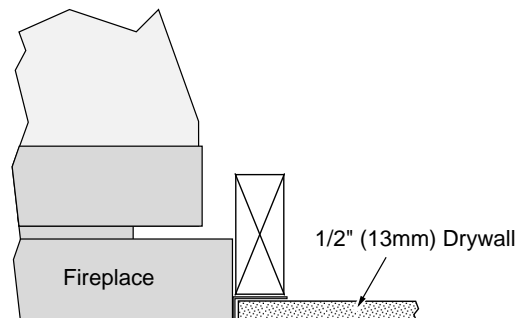
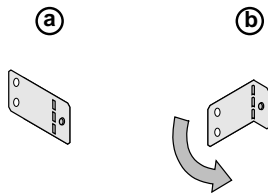
Most installations use the "Standard Facing" position for the nailing brackets. When using the "Submerged Facing" option, the fireplace is positioned $\frac{1}{2}$ " to the rear. Make sure to accommodate this dimension when configuring framing and determining the vent position, gas line position, etc.

Bend the nailing brackets out and secure to the side framing.

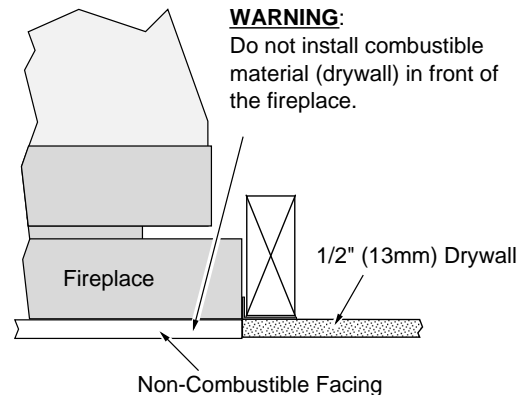
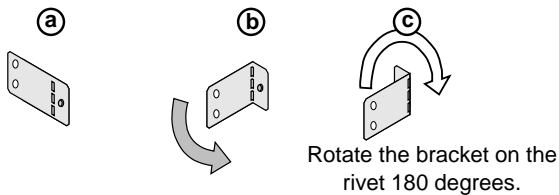
Additional nailing brackets are provided along the base of the fireplace. Use these brackets if not using the front brackets.



Standard Facing (drywall contacts side of fireplace)



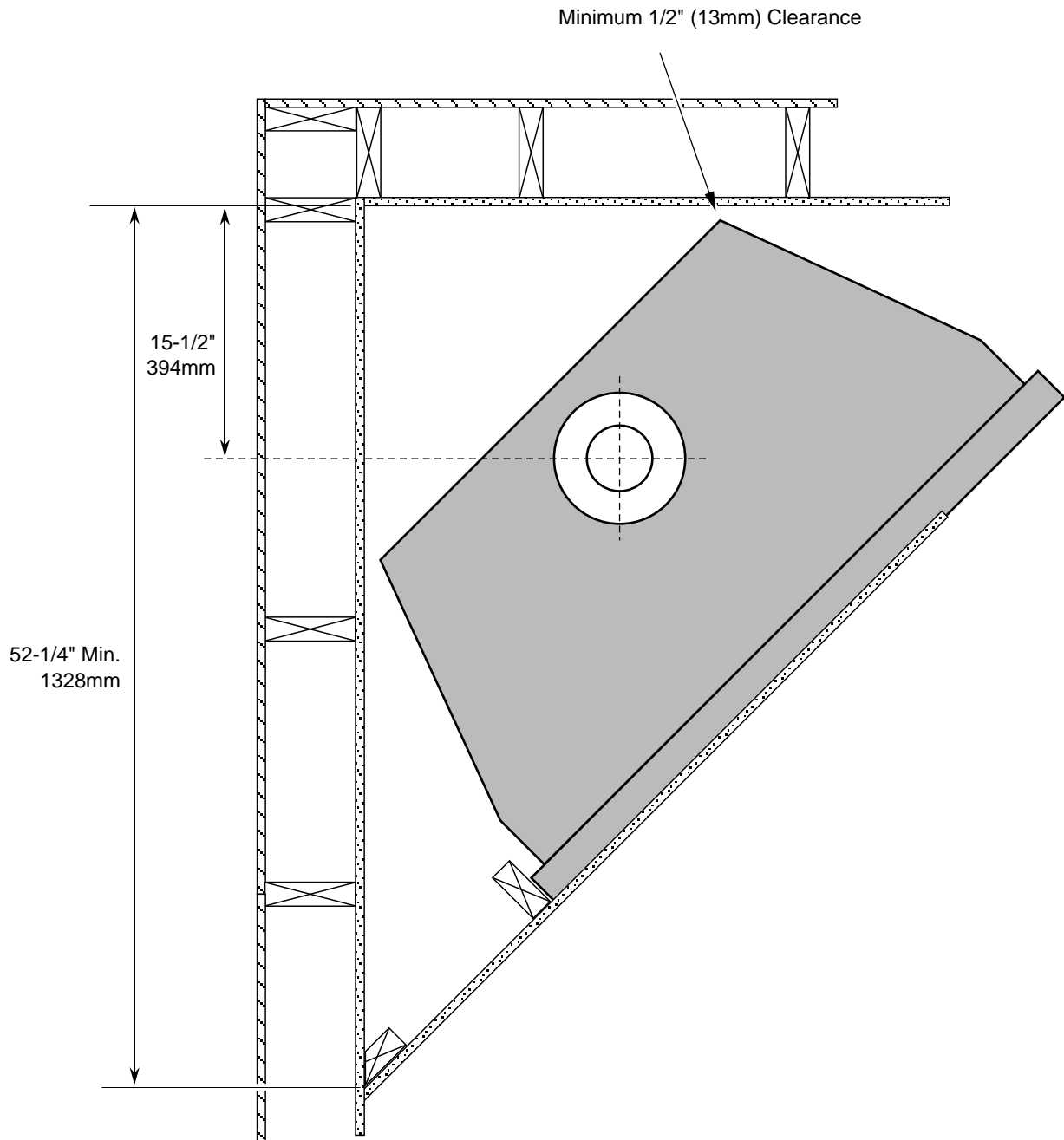
Submerged Facing (Drywall butts against non-combustible facing)



WARNING:
Do not install combustible material (drywall) in front of the fireplace.

Corner Installations

A typical 45° installation uses the framing dimensions shown in the illustration below (NOTE: all clearances still apply).



16 Finalizing the Installation (for qualified installers only)

Gas Line Requirements

- The gas line must be installed in accordance with all local codes, if any; if not, follow ANSI 223.1 and NFPA 54(88), in Canada follow CSA B149.1 and the requirements listed below.
- The fireplace and gas control valve must be disconnected from the gas supply piping during any pressure testing of that system at test pressures in excess of 1/2 psig (3.5 kPA). For pressures under 1/2 psig (kPA), isolate the gas supply piping by closing the manual shutoff valve.
- Leak test all gas line joints and the gas control valve prior to and after starting the fireplace.

Fuel

- This fireplace is designed either for natural gas or for propane (but not for both). Check the sticker on the top of the gas control valve to make sure the correct fuel is used.

Gas Line Connection

- Installation must be performed by a qualified installer, service agency or the gas supplier (In Massachusetts a licensed plumber/gasfitter).
- The gas inlet accepts 1/2" MPT.

Gas Inlet Pressure

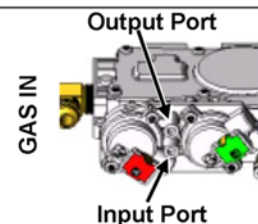
Gas Pressure	Max. Input Pressure	Min. Input Pressure	Max. Manifold Pressure	Min. Manifold Pressure
Natural Gas	7" W.C. (1.74 kPA)	5.5" W.C. (1.37 kPA)	3.6" W.C. (0.89 kPA)	1.6" W.C. (0.40 kPA)
Propane	13" W.C. (3.23 kPA)	11" W.C. (2.74 kPA)	10.4" W.C. (2.58 kPA)	2.9" W.C. (0.72 kPA)

- If the pressure is not sufficient, make sure the piping used is large enough, the supply regulator is adequately adjusted, and the total gas load for the residence does not exceed the amount supplied.
- The supply regulator (the regulator that attaches directly to the residence inlet or to the propane tank) should supply gas at the suggested input pressure listed above. Contact the local gas supplier if the regulator is at an improper pressure.

Directions for Connecting a Gas Pressure Test Gauge

The gas control valve (shown to the right) has two test ports for testing input (line pressure) and output (manifold) pressure. Loosen the brass screw on either test port and place a 5/16" i.d. rubber or plastic tube over the tapered test port. Connect the tube to the test gauge.

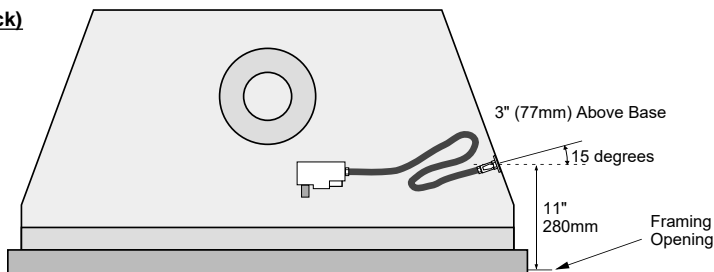
WARNING: The brass screw must be tightened after testing to prevent gas leakage.



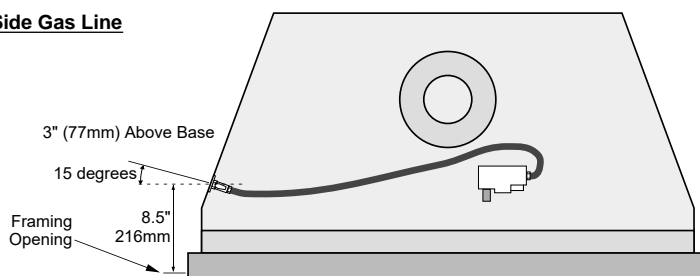
Gas Line Location

NOTE FOR RIGID PIPE: When using rigid pipe, you may wish to disconnect the shutoff valve from the fireplace and route the pipe through the fireplace wall. First, disconnect the gas line from the shutoff valve (see step 1 below). Then remove the shutoff valve from the cover plate (4 screws outside fireplace). The pipe may be routed through the cover plate and the shutoff valve and gas line may be re-attached inside the fireplace.

Right Side Gas Line (Stock)



Left Side Gas Line

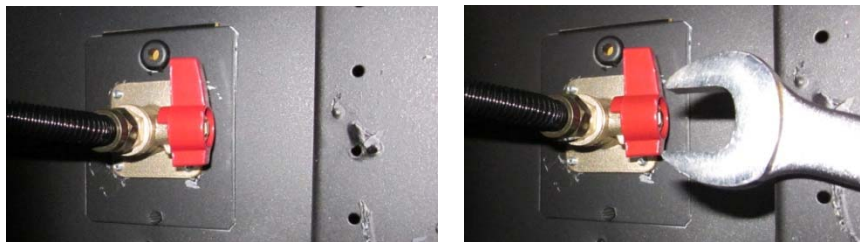


Converting Gas Line to the Left Side

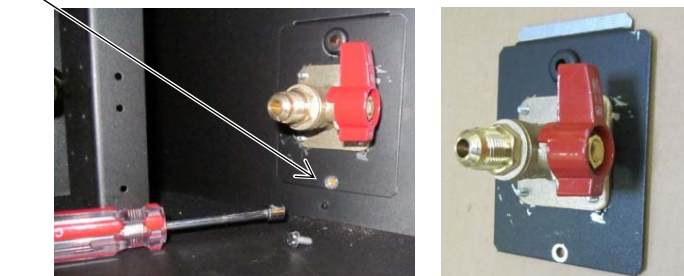
ACCESSING THE AREA UNDER THE BURNER

If switching the gas line to the left side, see page 19 for accessing the area under the burner.

1. Disconnect the gas line from the shutoff valve (3/4" wrench). Gas line is located inside the fireplace on the right side.



2. Remove the screw that holds the shutoff valve plate in place (1/4" nutdriver). Remove the shutoff valve plate.



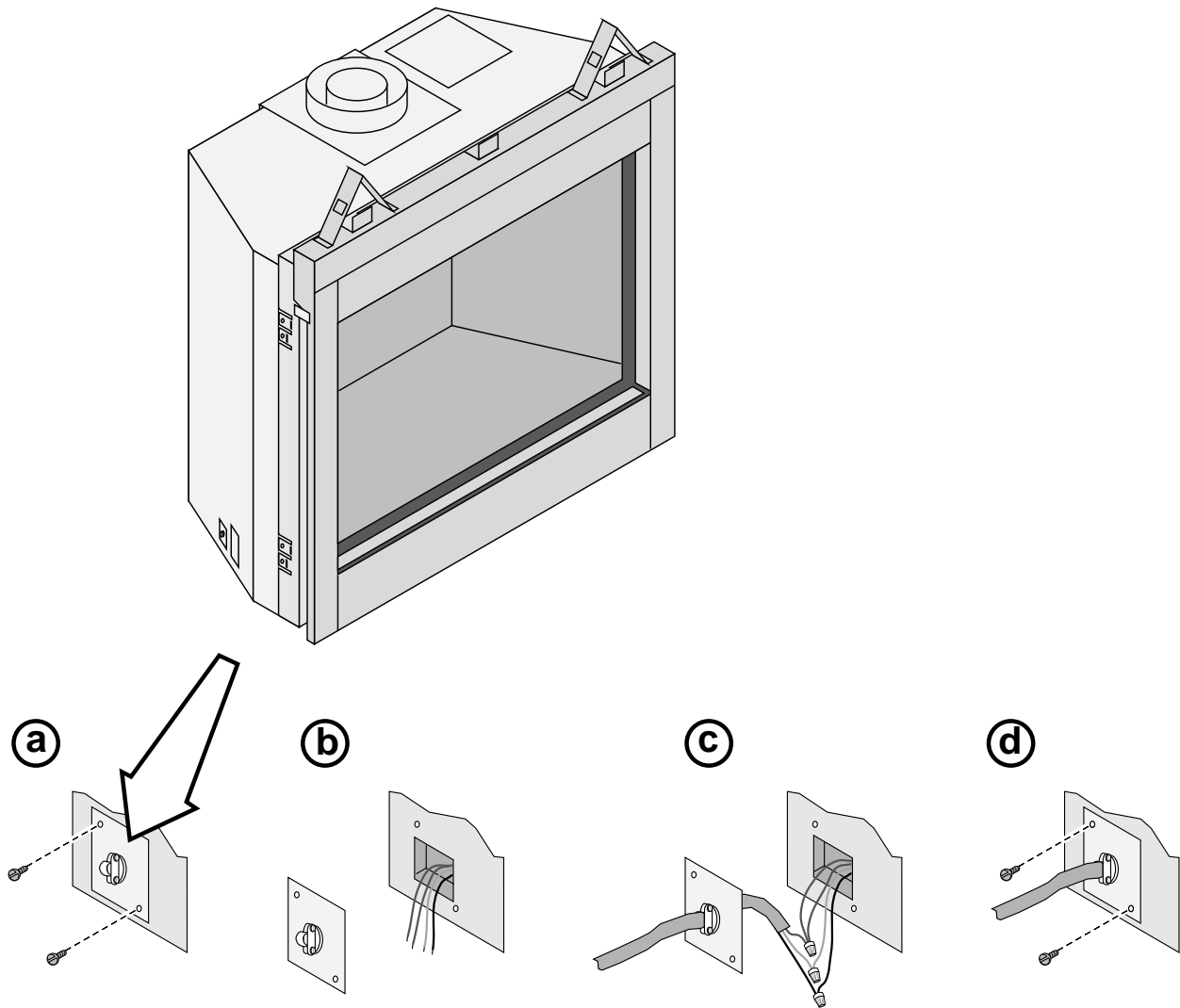
3. Remove the cover plate from the left side of the fireplace (it is held in place in the same fashion as the shutoff valve plate). Attach it to the right side of the fireplace.
4. Attach the shutoff valve plate to the left side of the fireplace. Route the gas line to the left side and re-attach the gas line to the shutoff valve. Make sure to leak test the entire gas line.

18 Finalizing the Installation (for qualified installers only)

Electrical Connection (required)

- The electrical line to the grounded receptacle inside the fireplace must be installed by a qualified installer and must meet all local codes.
- Make sure the household breaker is shut off prior to working on any electrical lines.
- The appliance, when installed, must be electrically grounded in accordance with local codes or, in the absence of local codes, with the National Electrical Code, ANSI/NFPA 70, or the Canadian Electrical Code, CSA C22.1.
- The electrical line must be a min. 14 gauge, and supply 240 Volts at 60 Hz (2 Amps).

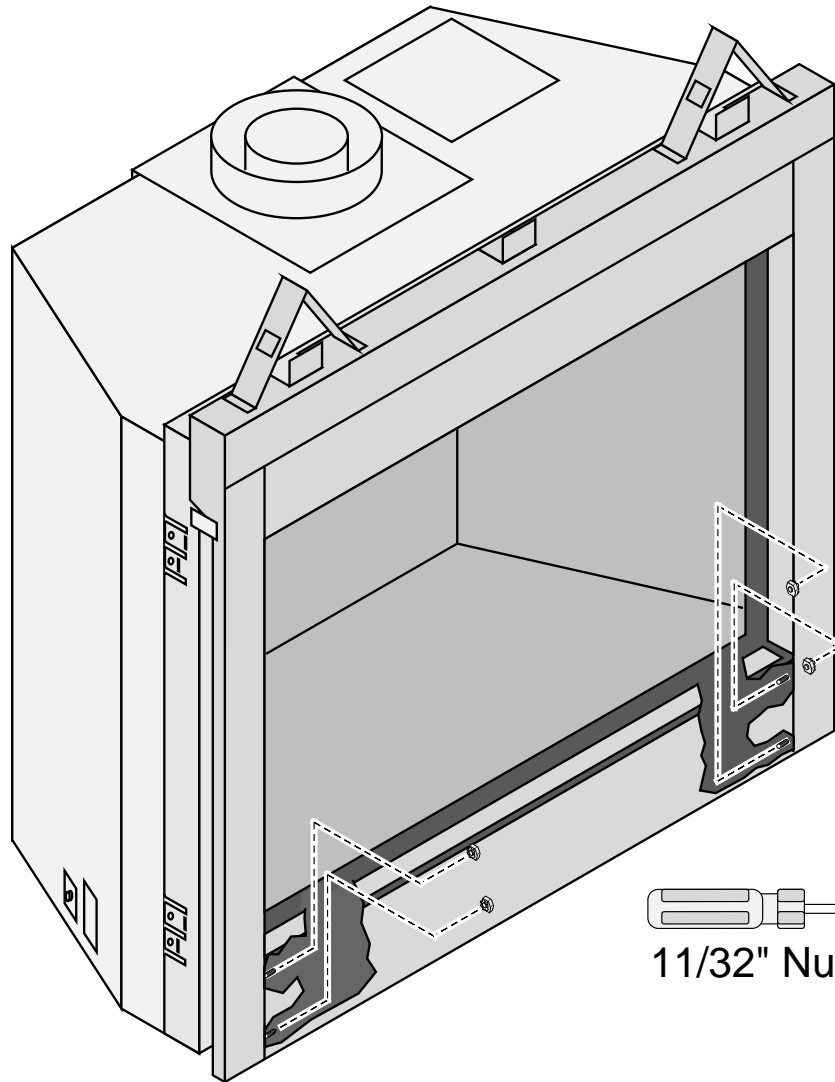
Caution: Label all wires prior to disconnection when servicing controls. Wiring errors can cause improper and dangerous operation.



Accessing the Area Under the Burner

The lower panel may be removed to access components. This is required when relocating the electrical or gas inlet location or installing the LP regulator.

- (a) **Loosen** the four nuts.
- (b) Lift the panel up, rotate it forward and remove.



20 Finalizing the Installation (for qualified installers only)

Vent Requirements

- The gas appliance and vent system must be vented directly to the outside of the building, and never be attached to a chimney serving a separate solid fuel or gas-burning appliance. Each direct vent gas appliance must use its own separate vent system.
- In addition to the requirements listed here, follow the requirements provided with the vent.
- A wall thimble is required whenever the vent penetrates a wall.
- When passing through a floor or ceiling (or other framing members) a standard 1" clearance firestop is required.
- The flow of combustion and ventilation air must not be obstructed.

Drafting Performance

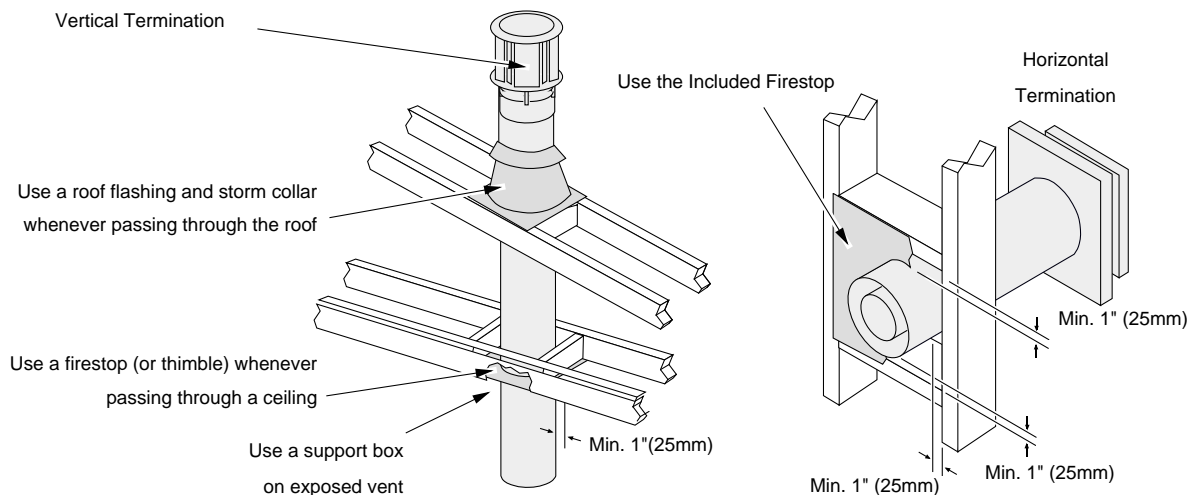
This direct vent appliance requires natural draft to operate (similar to a wood stove or other heating appliance). Draft can be adjusted using the included restrictor. The restrictor settings detailed in the manual should be followed (variations may occur depending upon installation parameters).

Many factors may negatively influence the draft of the appliance. Travis Industries will not be responsible for improper draft due to factors such as trees, hills, buildings, obstructions, excessive wind, extreme hot or cold outdoor temperatures, restrictive vent terminations, or influence from mechanical systems.

Vent Clearances

- The vent must maintain the required clearance to combustibles materials to prevent a fire. Do not fill air spaces with insulation.

Sides	1" (25mm)
Above	1" (25mm)
Below Horizontal or 45° Section	1" (25mm)

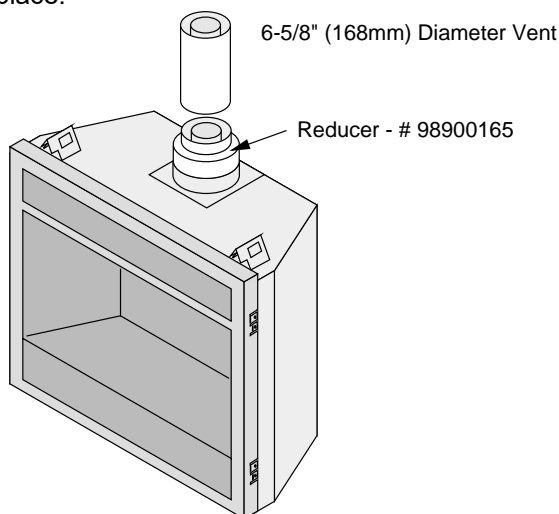


Altitude Considerations

- This heater has been tested at altitudes ranging from sea level to 6,000 feet (1800 M). In this testing we have found that the heater, with its standard orifice, burns correctly with just an air shutter adjustment.
- Failure to adjust the air shutter properly may lead to improper combustion which can create a safety hazard. Consult your dealer or installer if you suspect an improperly adjusted air shutter.

Approved Vent

- Vertical terminations may use 8" (203mm) or 6-5/8" (168mm) diameter Simpson Dura-Vent Direct-Vent Pro (or GS)*. If using 6-5/8" diameter, attach the 8" (203mm) to 6-5/8" (168mm) reducer (Travis part # 98900165) to the fireplace.



- Horizontal terminations must use 8" (203mm) diameter Dura-Vent Direct-Vent Pro (or GS)*.
- Installation instructions for Dura-Vent may be found at www.duravent.com

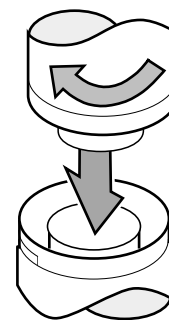
* Other vent may be approved with this fireplace. Check with the vent manufacturer for details.

Approved Terminations

- Vertical terminations must use the high-wind termination (46DVA-VCH or 58DVA-VCH)
- Horizontal terminations must use the high-wind termination (58DVA-HC) – do not use the high-wind scone cap.

Vent Installation

- Slide the vent sections together and turn 1/4 turn until the sections lock in place.
- Screws are not required to secure the vent. However, three screws may be used to secure vent sections together if desired.
- Horizontal sections require a 1/4" (6mm) rise every 12" (305mm) of travel
- Horizontal sections require non-combustible support every three feet (e.g.: plumbing tape)
- Vent termination must not be located where it can become plugged by snow or other material.
- Use the vinyl siding standoff when installing on a structure with vinyl siding.
- Venting termination shall not be recessed into a wall or siding.



22 Finalizing the Installation (for qualified installers only)

Approved Vent Configurations

Restrictor Position

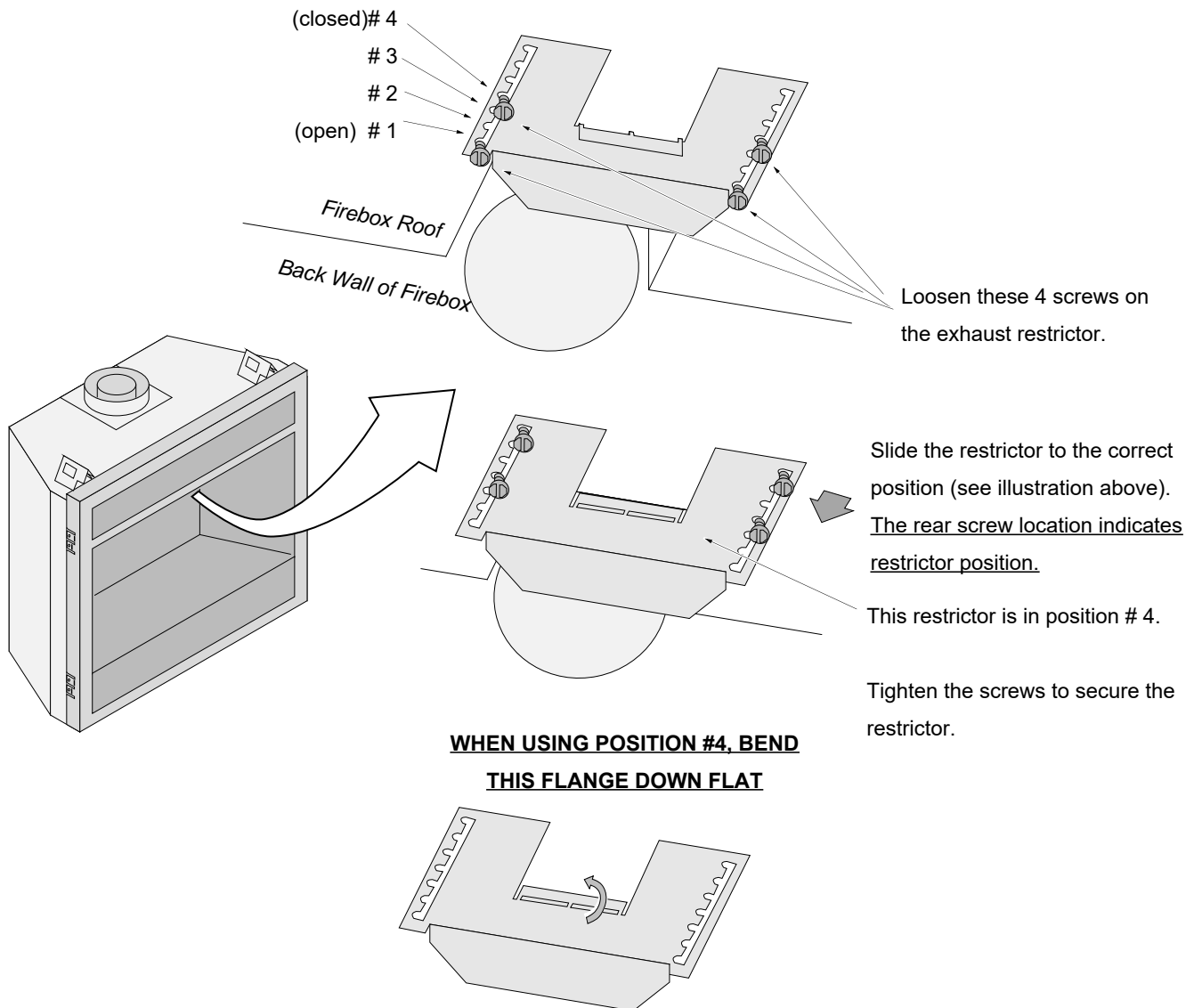
- Intake and exhaust restrictors are built into the appliance to adjust the flow rate of intake air and exhaust gases. Depending upon the vent configuration, you may be required to adjust the restrictor positions. The charts for acceptable vent configurations detail the correct vent restrictor positions.

Exhaust Restrictor Adjustment



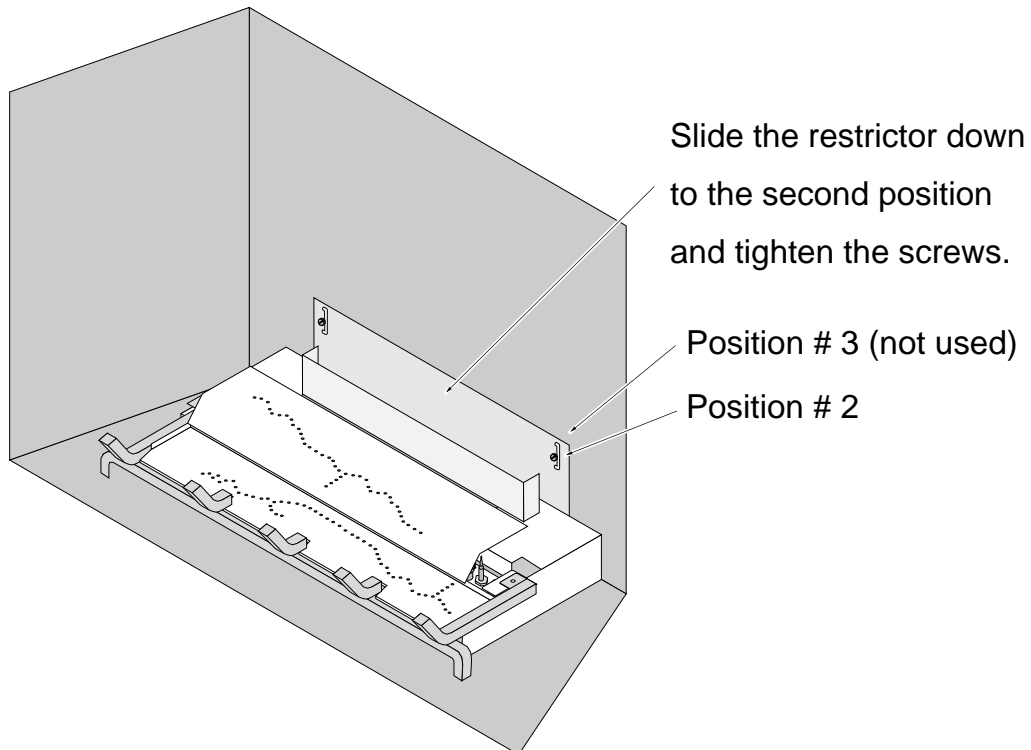
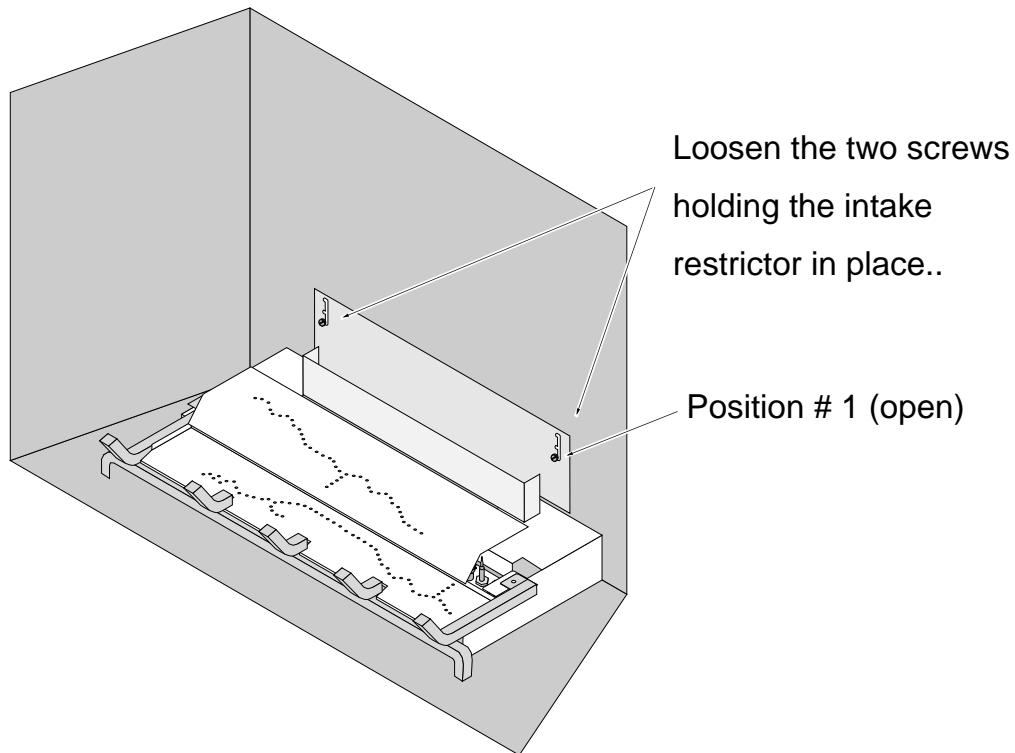
If the diffuser is required to be in position # 2, you may wish to adjust the diffuser while the exhaust restrictor is removed.

NOTE: If removing the restrictor, make sure to replace the screws in the firebox ceiling.



Intake Restrictor Adjustment

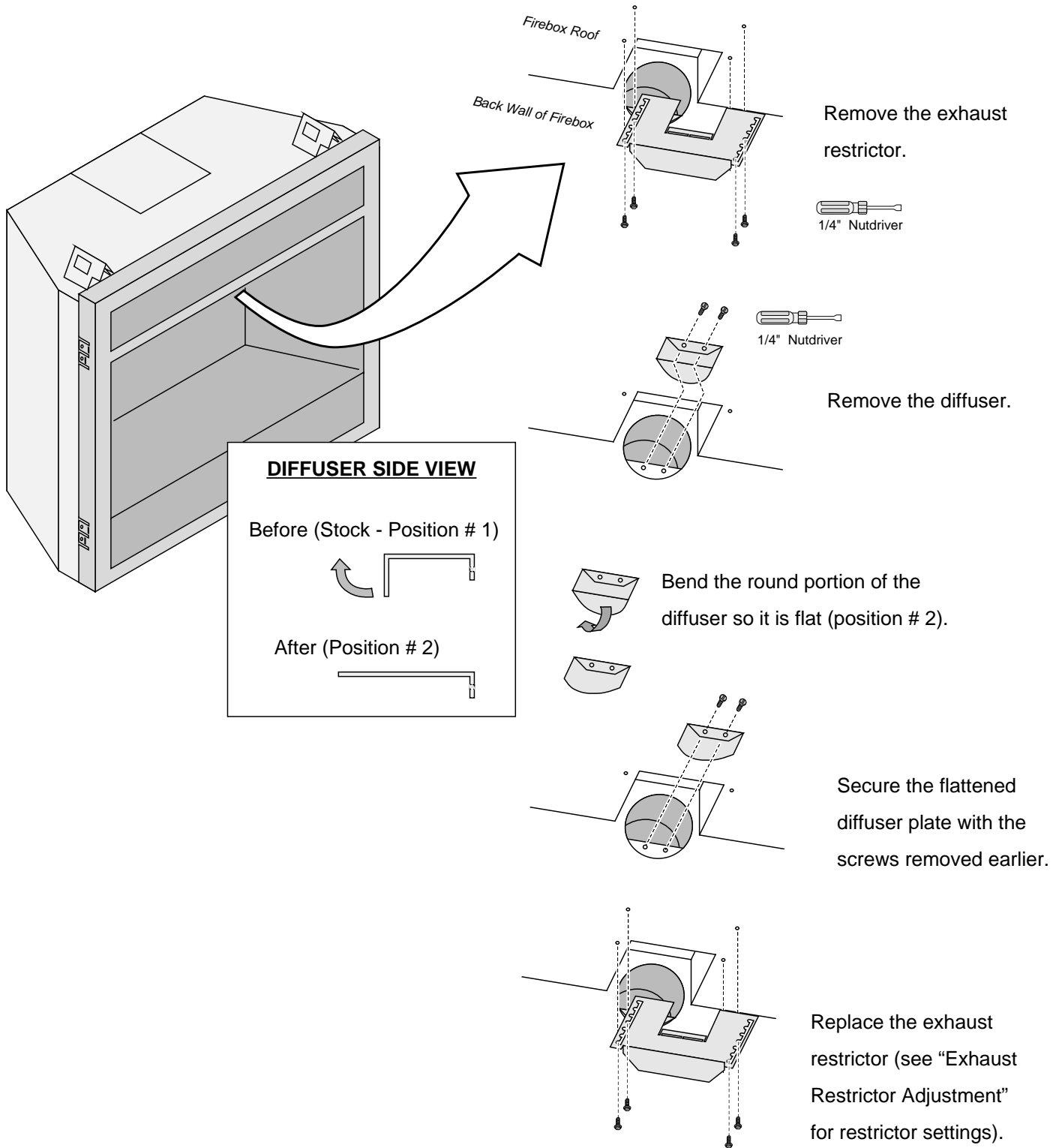
The intake restrictor is located on the back wall of the firebox. To adjust the restrictor, follow the steps below:



24 Finalizing the Installation (for qualified installers only)

Diffuser Plate Adjustment

Certain vent configurations require the diffuser plate to be adjusted (refer to the approved vent configuration charts for details). Position # 1 is stock (bent). Position # 2 is flattened. See the directions below to change the diffuser to position #2.

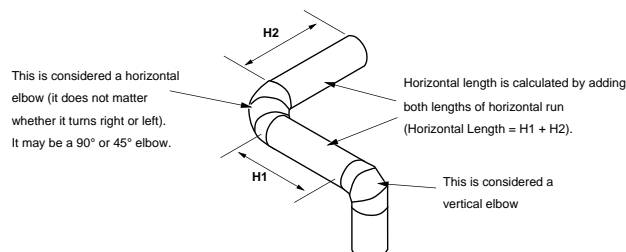
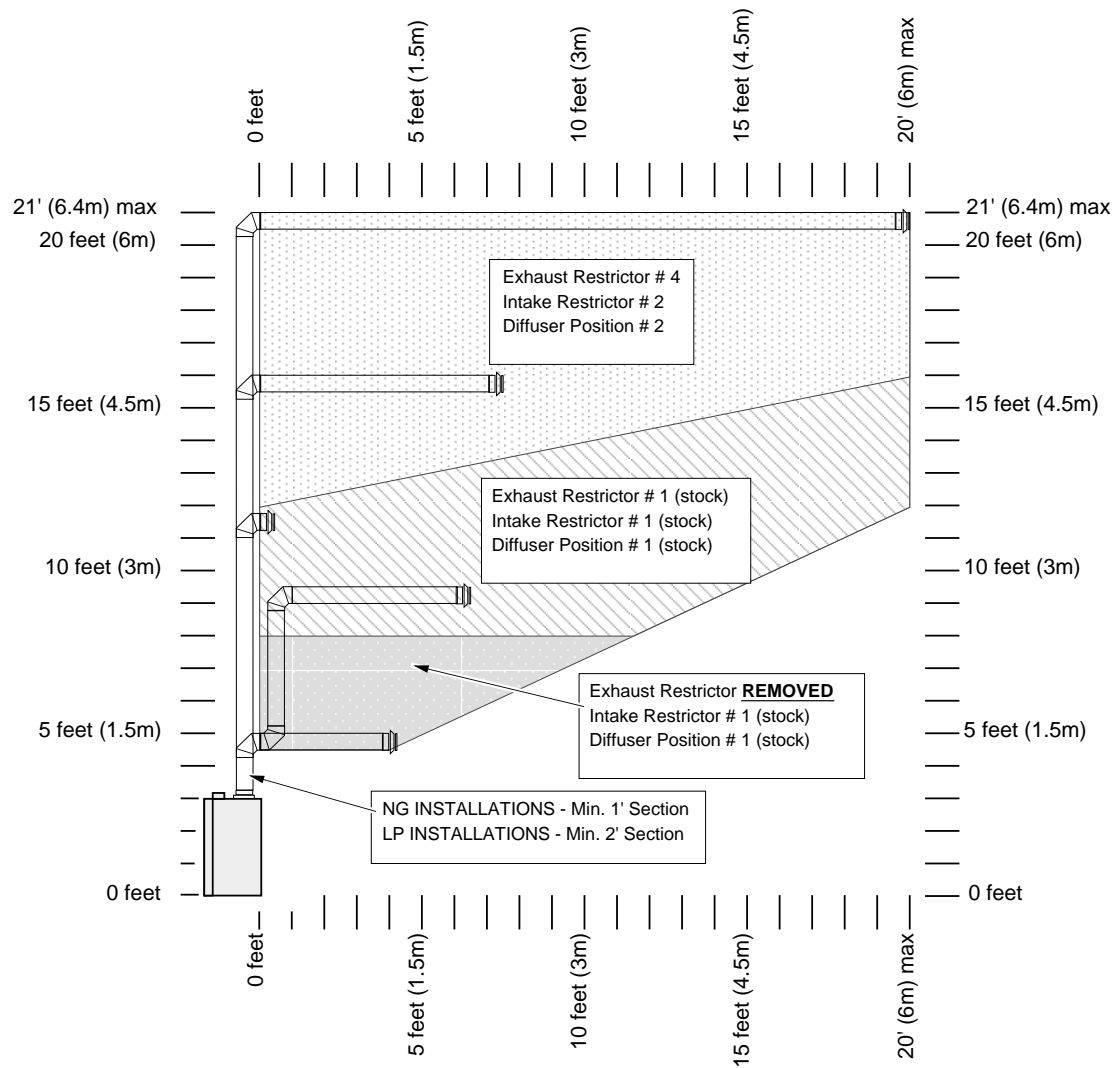


Vent Configuration - Horizontal Termination

- The termination must fall within the shaded area shown in the chart. Use the indicated restrictor and diffuser positions.
- Up to four elbows (45° or 90°) may be used.
- Use 8" (203mm) diameter vent (see page for 20 details).
- Only one horizontal elbow may be used.

- **NG Installations require 1' Vertical Vent Section Directly off Top of Fireplace**
- **LP Installations require 2' Vertical Vent Section Directly off Top of Fireplace**

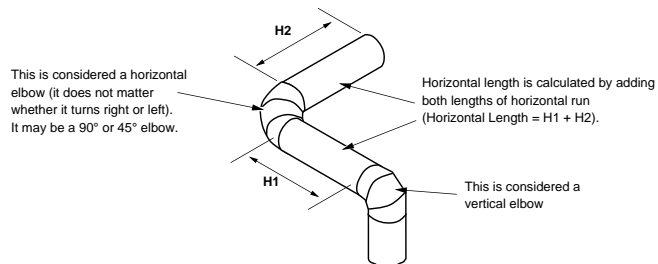
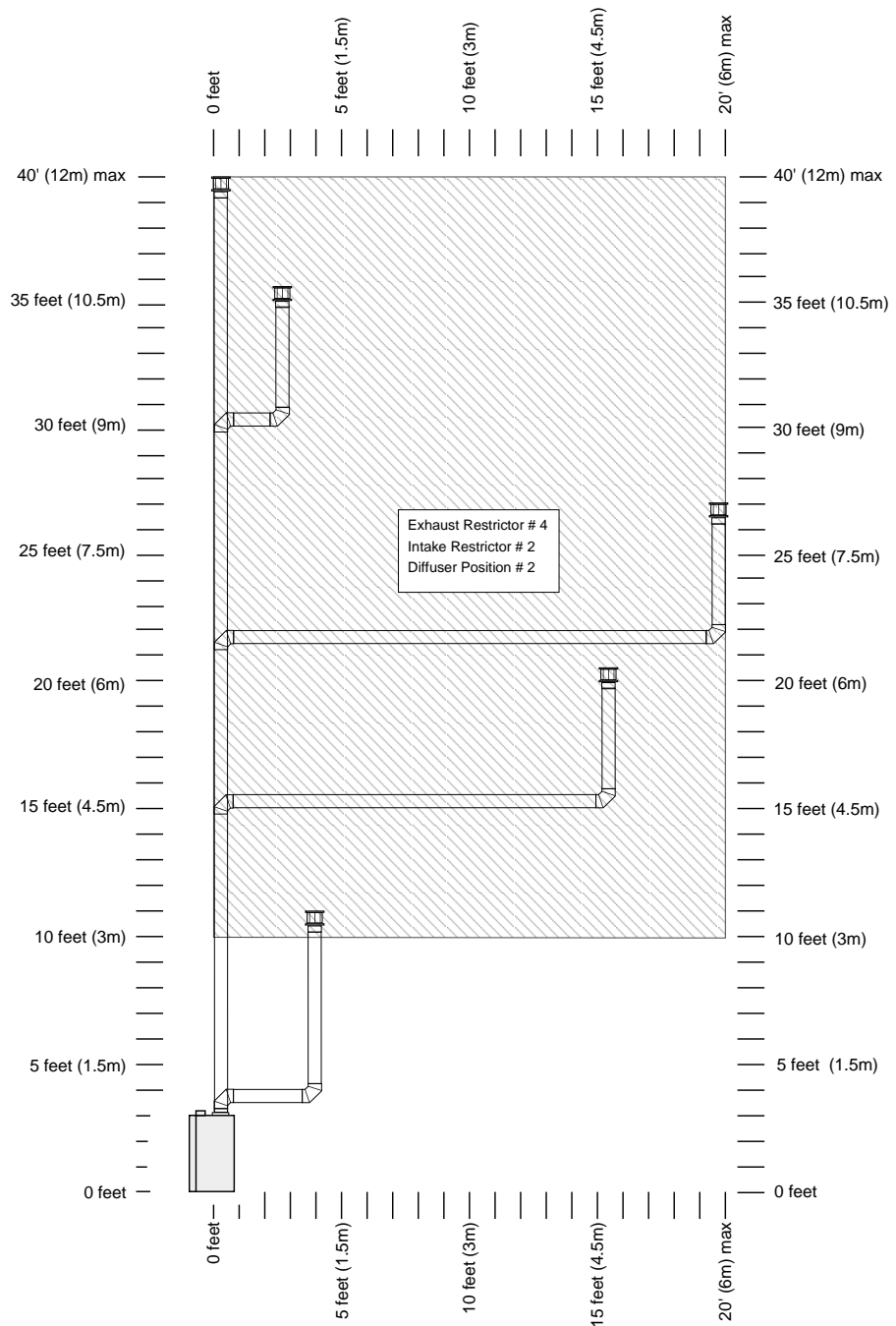
NOTE: If removing the restrictor, make sure to replace the screws in the firebox ceiling.



26 Finalizing the Installation (for qualified installers only)

Top Vent Configuration with Vertical Termination

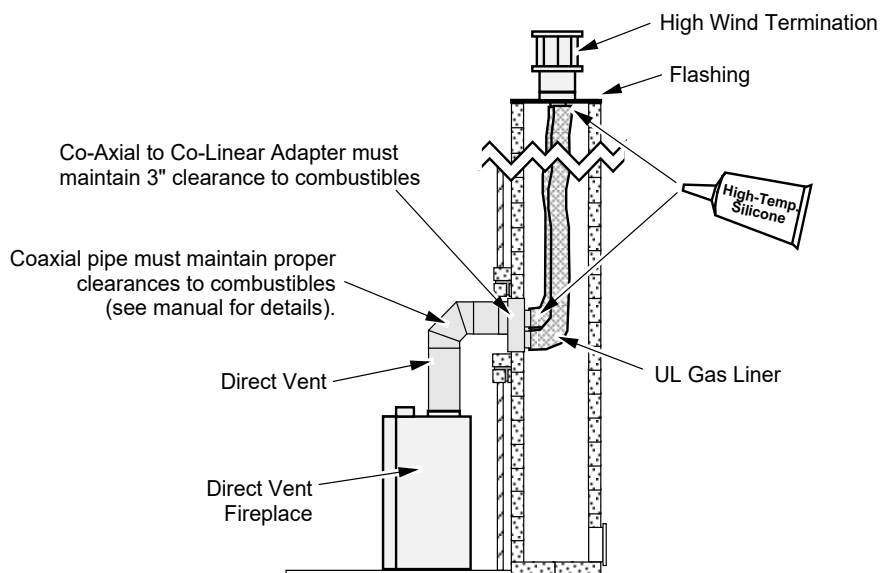
- The termination must fall within the shaded area shown in the chart. Use the indicated restrictor and diffuser positions.
- Up to four elbows (45° or 90°) may be used.
- Only one horizontal elbow may be used.
- May use 8" (203mm) or 6-5/8" (168mm) diameter vent (see page for 20 details).



Masonry Chimney Conversions

This appliance may utilize 6-5/8" diameter direct vent manufactured by Duravent (reducer may be required). The vent may be adapted to utilize an existing masonry fireplace using the Duravent Co-Linear Adapter (46DVA-GCL or TCL). The vent must be installed following all directions included with the vent and those listed below:

- All requirements in the appliance manual must be met. This includes compliance with vent configuration charts.
- The restrictor position should be set to the position that most closely resembles the vent configuration. NOTE: because this installation utilizes non-standard vent, the restrictor position may vary. Carefully monitor the burn characteristics to verify correct restrictor position.
- The UL gas liner must only be run through the fireplace/chimney (entire length of liner must be retained within the fireplace/chimney). Do not run the liner near combustibles.



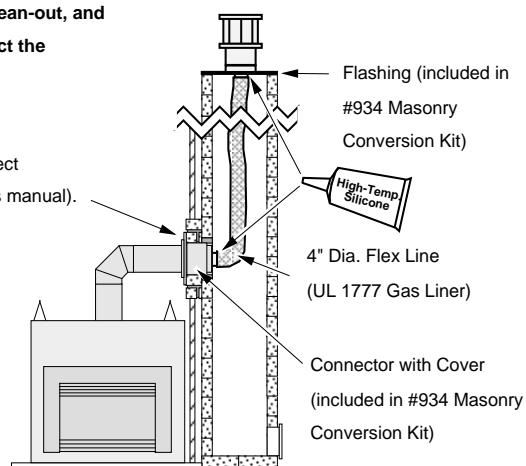
This appliance may utilize 6-5/8" diameter direct vent manufactured by Duravent (reducer may be required). The vent may be adapted to utilize an existing masonry fireplace using the Duravent Masonry Chimney Conversion Kit (part # 46DVA-KCT). The vent must be installed following all directions included with the vent and those listed below:

NOTE: Before proceeding with the following installation example, check with the local building jurisdiction to verify that this type of installation is allowed in your area.

- All requirements in the appliance manual must be met. This includes compliance with vent configuration charts.
- The restrictor position should be set to the position that most closely resembles the vent configuration. NOTE: because this installation utilizes non-standard vent, the restrictor position may vary. Carefully monitor the burn characteristics to verify correct restrictor position.
- The UL gas liner must only be run through the fireplace/chimney (entire length of liner must be retained within the fireplace/chimney). Do not run the liner near combustibles.

The entire chimney system must be air-tight.
Make sure to seal the flashing, clean-out, and thimble connection, and to inspect the chimney.

Make sure the coaxial pipe maintains the correct clearance to any combustible (see the owner's manual).
The vent must be sealed air-tight.



28 Finalizing the Installation (for qualified installers only)

Class A Chimney Conversion

DuraVent provides a conversion kit for those wishing to use an existing class A chimney to vent this direct fireplace. The illustration below gives an overview of this type of installation. See the instructions included with the kit for details.

- All requirements in the appliance manual must be met. This includes compliance with vent configuration charts. Remember to set the restrictor position to the correct position (based upon the vertical rise height - see the vent charts in the appliance manual).
- These conversion kits does not work on interior masonry chimneys.
- The measurements below refer to the Chimney Inside Diameter

Chimney Conversion Kit A (46DVA-KCA)

6" DuraTech
6" Security Chimney
6" Metalbestos
6" Jackes-Evans
6" Hart & Cooley
6" Pro-Jet

Chimney Conversion Kit B (46DVA-KCB)

6" DuraPlus
7"-8" DuraTech
8" Security Chimneys
7"-8" Metalbestos
7"-8" Jackes-Evans
7"-8" Hart & Cooley
7"-8" Pro-Jet
6"-7" Amer. Metals
6"-7" Metal-Fab
6" Air-Jet

Chimney Conversion Kit C (46DVA-KCC)

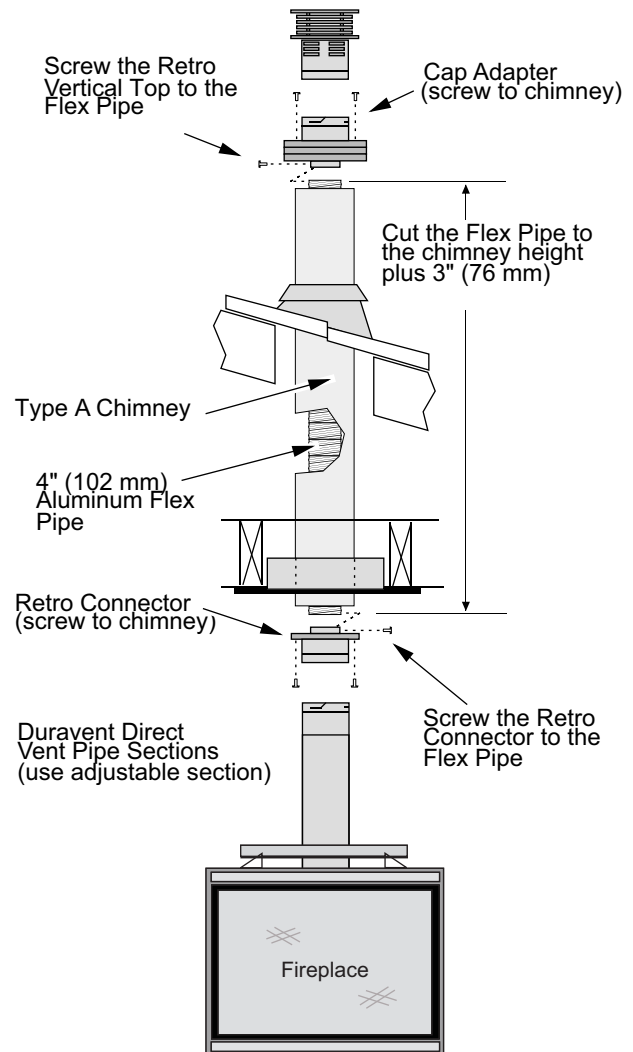
7"-8" DuraPlus
8" American Metals
8" Air-Jet
8" Metal-Fab

Each Kit Contains:

Cap Adapter
Retro Connector

Additional Required Equipment:

4" Flex (#711 or U.L. 1777)
Termination (46DVA-VCH)
Co-Axial Sections

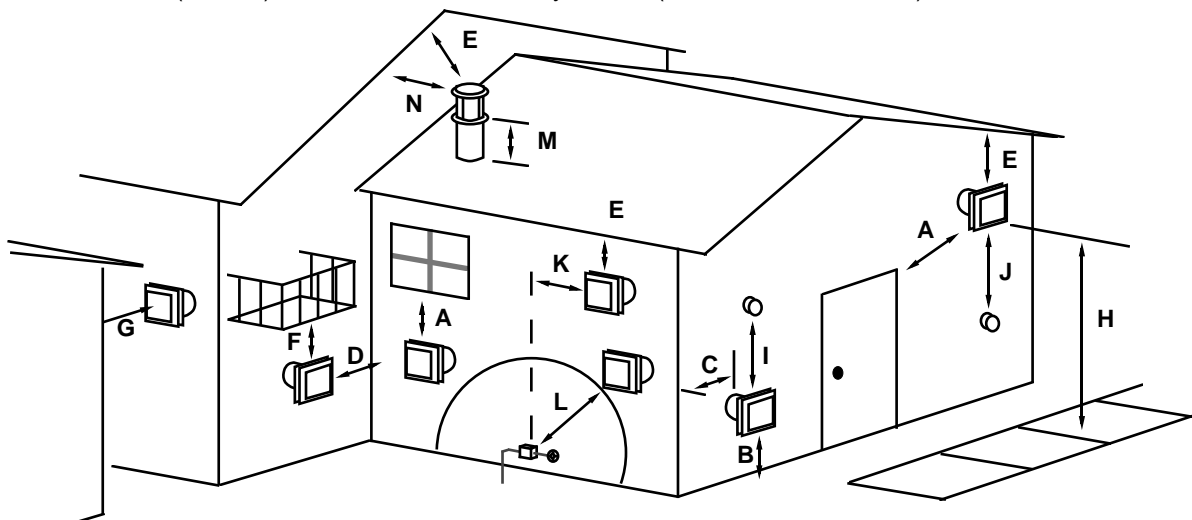
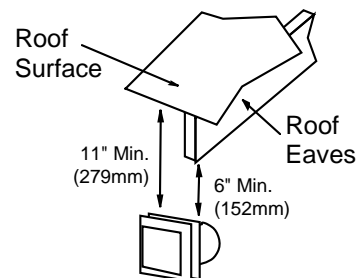


Termination Requirements

Vent Terminations Must Comply with AS/NZS 5601.1

! Venting terminals shall not be recessed into a wall or siding.

- A Minimum 9" (229mm) clearance from any door or window
- B Minimum 12" (305mm) above any grade, veranda, porch, deck or balcony
- C Minimum 1" (25mm) from outside corner walls
NOTE: Clearance in accordance with local installation codes and the requirements of the gas supplier.
- D Minimum 1" (25mm) from inside corner walls
NOTE: Clearance in accordance with local installation codes and the requirements of the gas supplier.
- E Minimum 11" (279mm) clearance below unventilated soffits or roof surfaces
Minimum 18" (457mm) clearance below ventilated soffits
Minimum 6" (152mm) clearance below roof eaves
NOTE: Vinyl surfaces require 24" (610mm)
NOTE: Clearance in accordance with local installation codes and the requirements of the gas supplier.
- F Minimum 12" (305mm) clearance below a veranda, porch, deck or balcony
NOTE: Permitted only if veranda, porch, deck, or balcony is fully open on a minimum of two sides beneath the floor.
NOTE: Clearance in accordance with local installation codes and the requirements of the gas supplier.
- G Minimum 48" (1219mm) clearance from any adjacent building
- H Minimum 84" (2134mm) clearance above any grade when adjacent to public walkways or driveways
NOTE: may not be used over a walkway or driveway shared by an adjacent building
- I Minimum 9" (229mm) clearance to any non-mechanical air supply inlet to the building or the combustion air inlet to any other appliance.
- J Minimum 36" (914mm) clearance above any mechanical air supply inlet if within 10' (3M) horizontally
- K Minimum 36" (914mm) from the area above the meter/regulator (vent outlet) - this extends 15' (4.5M) above the regulator
NOTE: Clearance in accordance with local installation codes and the requirements of the gas supplier.
- L Minimum 36" (914mm) from the meter/regulator (vent outlet)
NOTE: Clearance in accordance with local installation codes and the requirements of the gas supplier.
- M Minimum 12" (305mm) above the roof line (for vertical terminations)
- N Minimum 24" (610mm) horizontal clearance to any surface (such as an exterior wall) – for vertical terminations

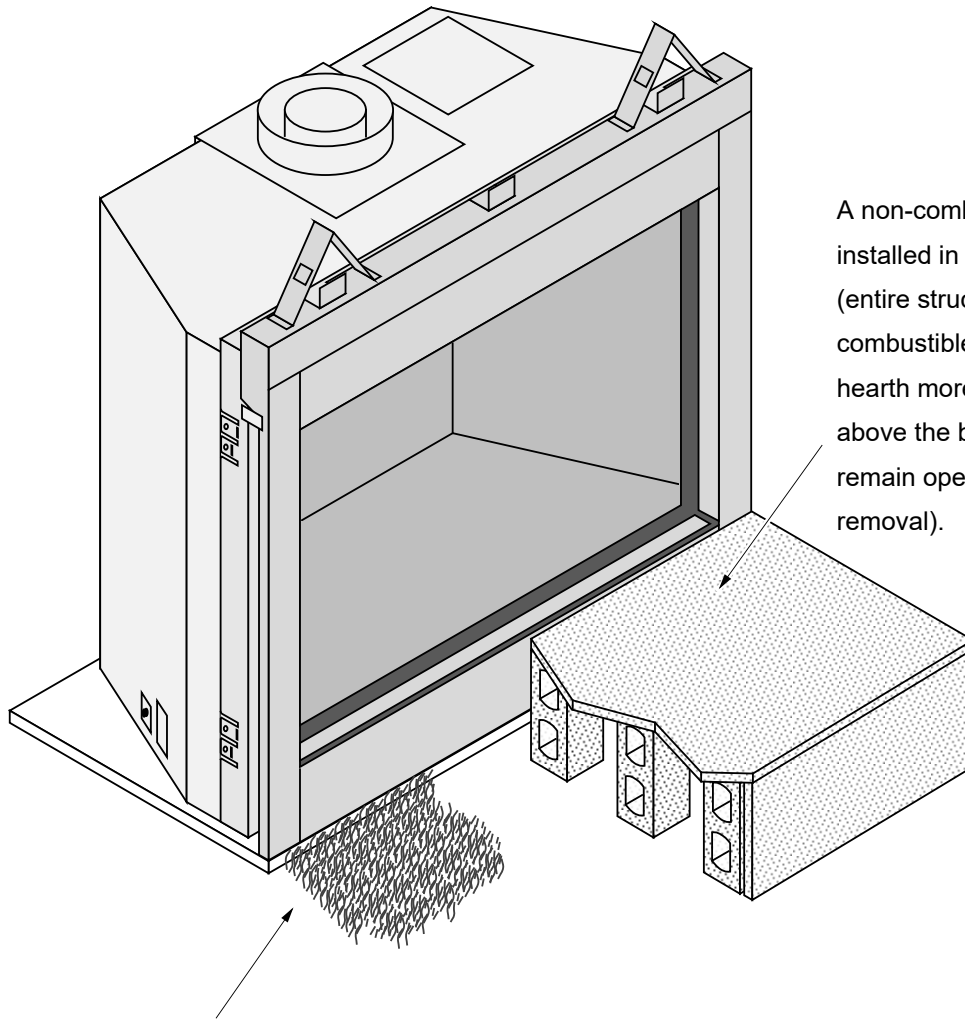


NOTE: Measure clearances to the nearest edge of the exhaust hood.

- Use the vinyl siding standoff when installing on an exterior with vinyl siding.
- Vent termination must not be located where it will become plugged by snow or other material

30 Finalizing the Installation (for qualified installers only)

Hearth Requirements



A non-combustible hearth may be installed in front of the fireplace (entire structure must be non-combustible). Do not build the hearth more than 5.625" (143mm) above the baseplate (this area must remain open for screen and glass removal).

If installed near carpet or other combustible flooring, the fireplace must be raised so the base of the unit is above the carpet surface or flooring material.

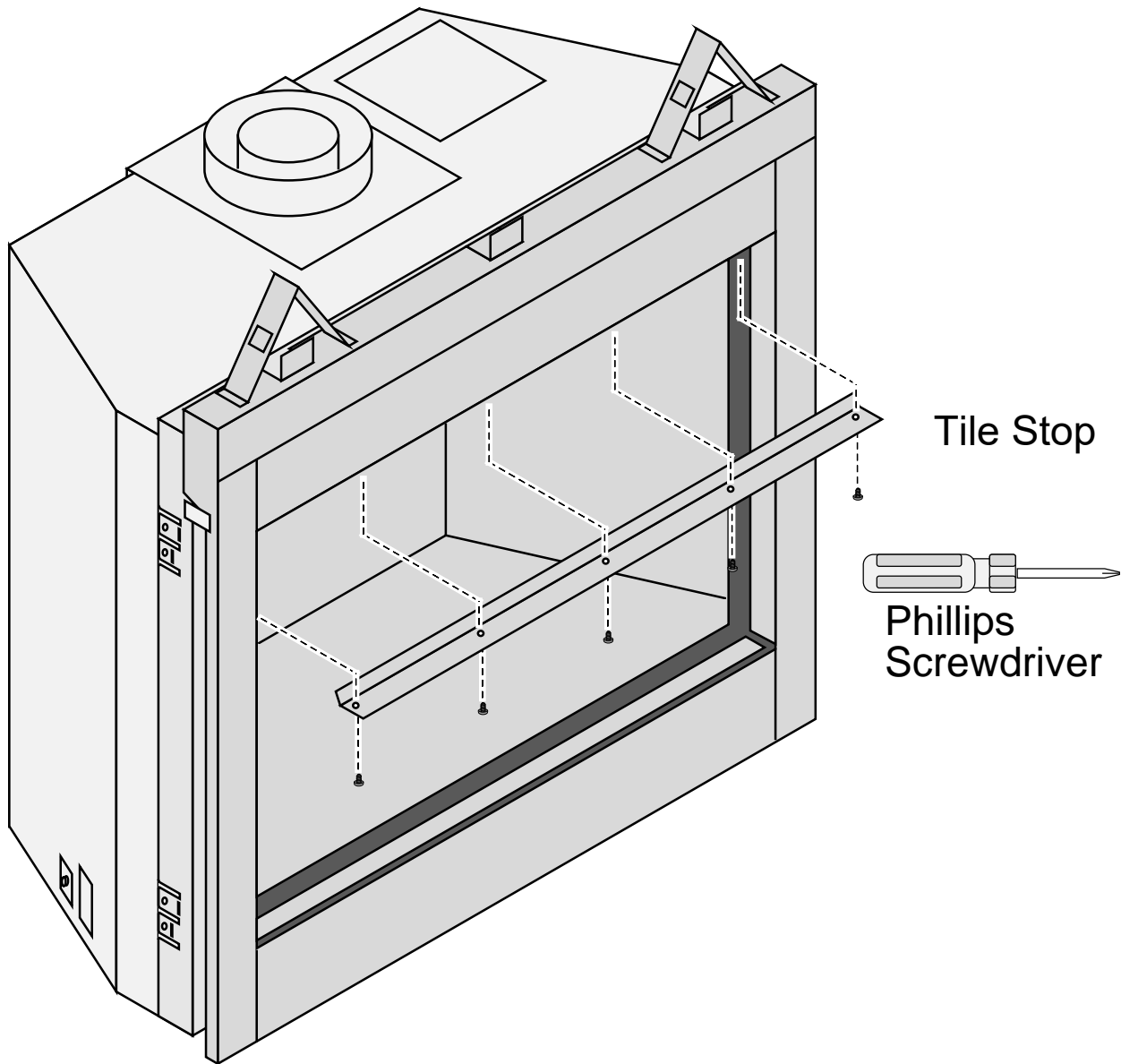
WARNING:

A non-combustible hearth is not required. However, if the heater is installed next to the floor, we recommend a hearth to protect the flooring surface from discoloration or other negative impact from the heater.

Optional Tile Stop Removal

- This fireplace includes an optional tile stop above the glass frame. It is typically removed if the front of the fireplace is left exposed. If using tile or other non-combustible facing over the front of the fireplace, the tile stop is left in place to help support the facing. See the illustration below for details on removal.

After removing the tile stop, make sure to replace the screws.



32 Finalizing the Installation (for qualified installers only)

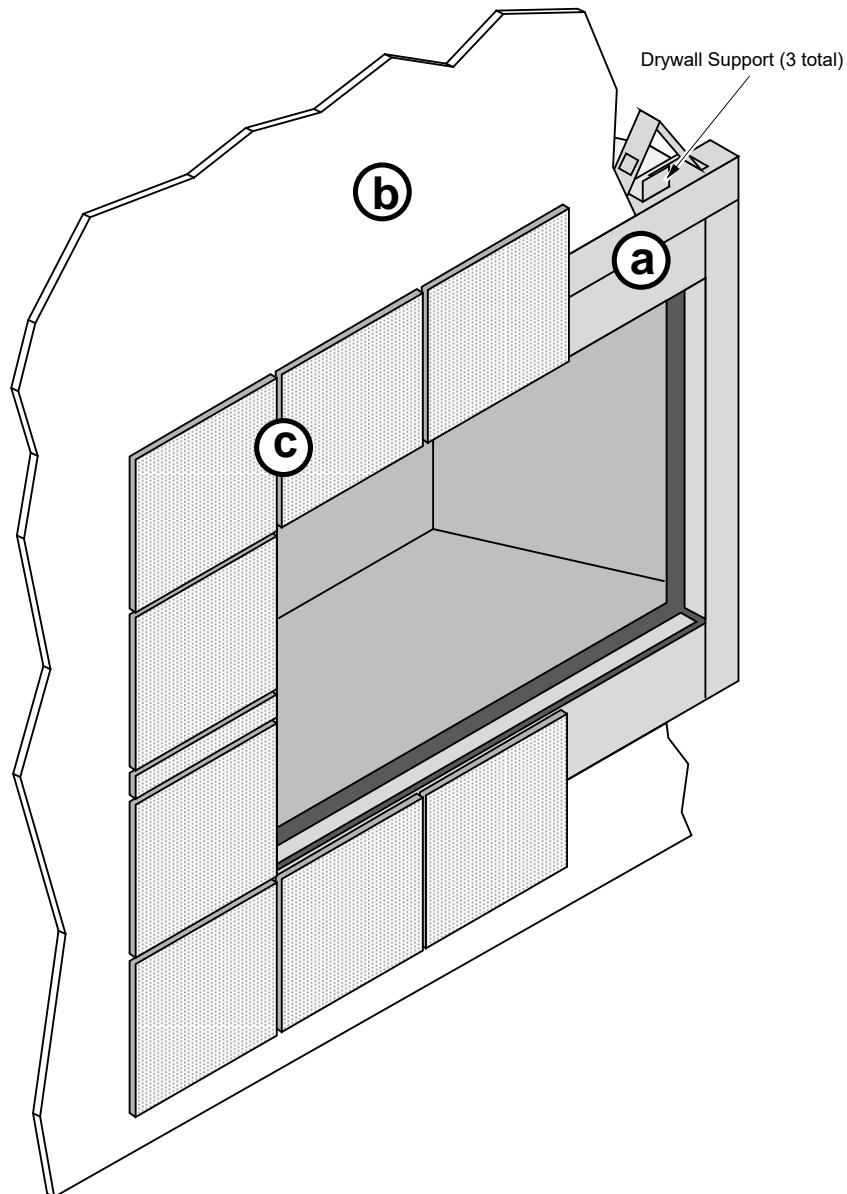
Facing Requirements

- The front of fireplace may be left uncovered (see “a” below).
- Drywall (or other combustible) may be placed above, below, and to the sides of the fireplace (not over the front of the fireplace (see “b” below).
- Tile or other non-combustible facing may be placed along the front of the fireplace around the perimeter of the glass opening (see “c” below). Typical installations use 12” (305mm) or greater of non-combustible facing around the perimeter of the glass opening. Do not install facing over the ledge to the glass opening.



WARNING: Do not use adhesive to secure the facing. The high temperatures of the fireplace may cause adhesives to emit odors. Use mastic or thin set (or other non-combustible, non-odorous adherent) to attach the facing.

NOTE: Screws may be used to secure cement board or tile backer to the fireplace. Do not penetrate the fireplace more than 1/2” (13mm).



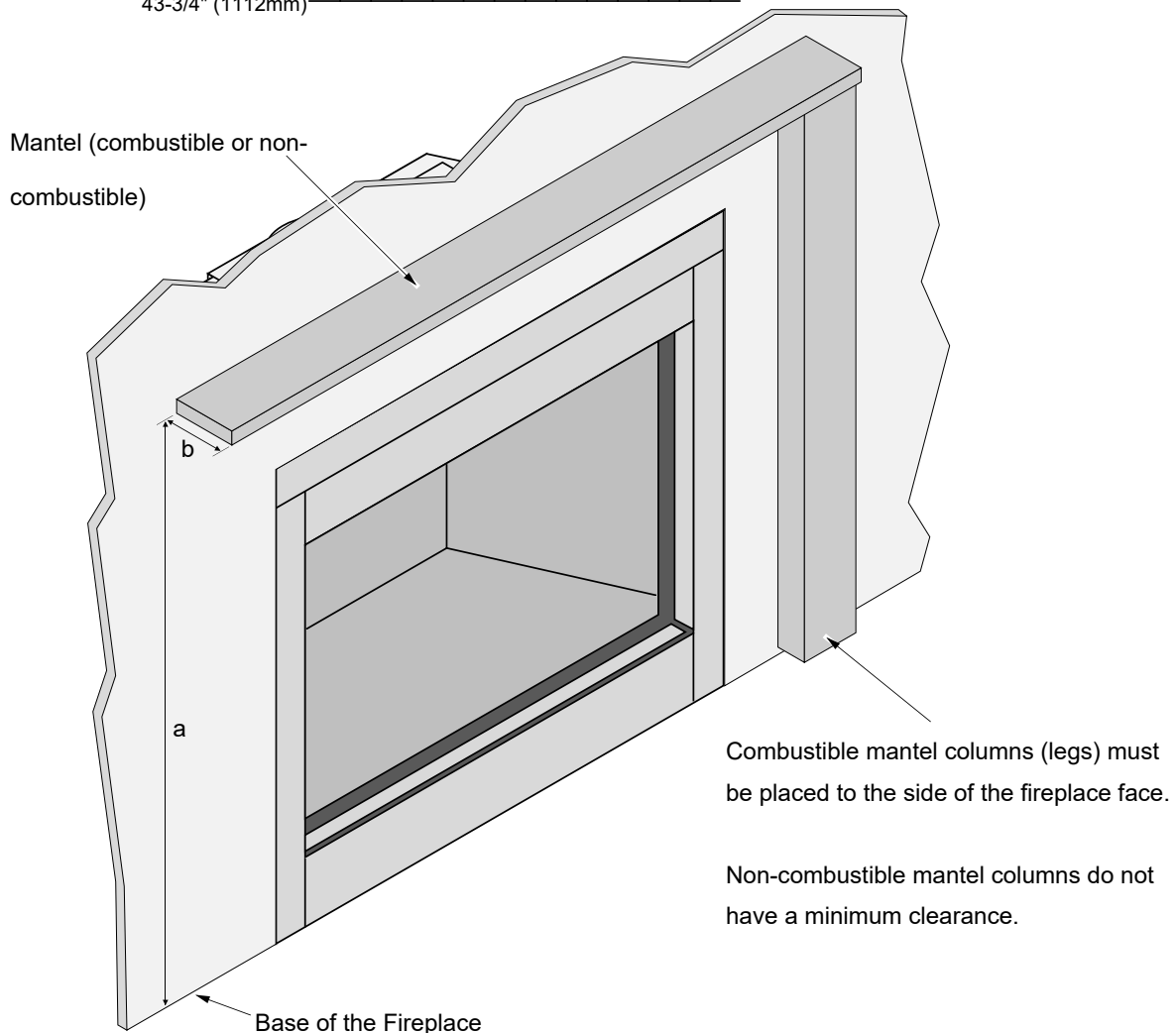
Mantel Requirements

Combustible Mantels

- Use the table below to determine the maximum mantel depth allowed. The mantel depth (measured from the face of the fireplace) must fall in the shaded portion of the table.
- Any material that protrudes more than 3/4" (19mm) from the non-combustible facing is considered a mantel and must meet the mantel requirements.

Maximum Mantel Depth (b)

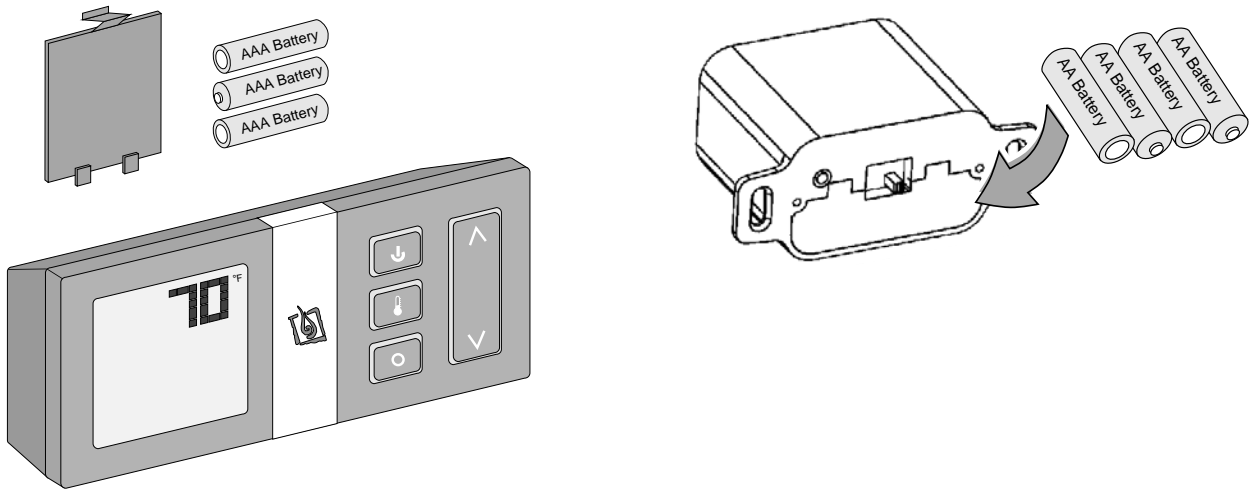
Mantel Height Above Base of Fireplace (a)	0" (0mm)	1" (25mm)	2" (51mm)	3" (76mm)	4" (102mm)	5" (127mm)	6" (152mm)	7" (178mm)	8" (203mm)	9" (229mm)	10" (254mm)	11" (279mm)	12" (305mm)
50-3/4" (1290mm)	Shaded	Shaded	Shaded	Shaded	Shaded	Shaded	Shaded	Shaded	Shaded	Shaded	Shaded	Shaded	Shaded
49-3/4" (1264mm)	Shaded	Shaded	Shaded	Shaded	Shaded	Shaded	Shaded	Shaded	Shaded	Shaded	Shaded	Shaded	Shaded
48-3/4" (1239mm)	Shaded	Shaded	Shaded	Shaded	Shaded	Shaded	Shaded	Shaded	Shaded	Shaded	Shaded	Shaded	Shaded
47-3/4" (1213mm)	Shaded	Shaded	Shaded	Shaded	Shaded	Shaded	Shaded	Shaded	Shaded	Shaded	Shaded	Shaded	Shaded
46-3/4" (1188mm)	Shaded	Shaded	Shaded	Shaded	Shaded	Shaded	Shaded	Shaded	Shaded	Shaded	Shaded	Shaded	Shaded
45-3/4" (1163mm)	Shaded	Shaded	Shaded	Shaded	Shaded	Shaded	Shaded	Shaded	Shaded	Shaded	Shaded	Shaded	Shaded
44-3/4" (1137mm)	Shaded	Shaded	Shaded	Shaded	Shaded	Shaded	Shaded	Shaded	Shaded	Shaded	Shaded	Shaded	Shaded
43-3/4" (1112mm)	Shaded	Shaded	Shaded	Shaded	Shaded	Shaded	Shaded	Shaded	Shaded	Shaded	Shaded	Shaded	Shaded



34 Finalizing the Installation (for qualified installers only)

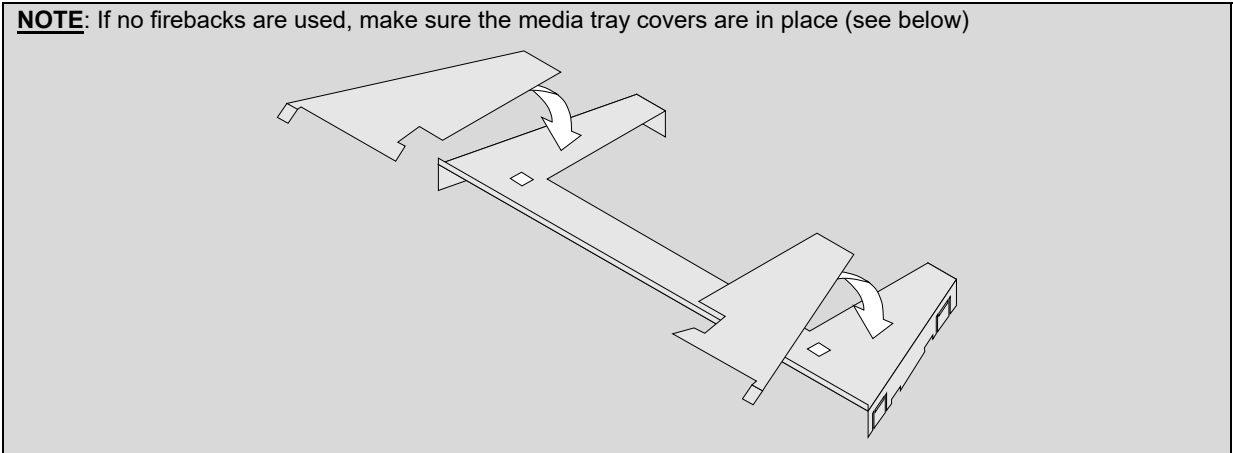
Steps for Finalizing the Installation

1. Remove the barrier and glass (see page 36).
NOTE: If using propane (LP) convert the appliance prior to installing the logs.
2. We recommend you purge the gas line at this time (with the glass removed). This allows gas to be detected once it enters the firebox, ensuring gas does not build up.
3. Install the four AA batteries (see illustration below). The AA batteries act as a power backup in case the household (AC) power goes out and are required for operation. Install three AAA batteries into the remote (see illustration below). Synchronize the transmitter to the IFC.



4. Install the firebacks if applicable – (see page 39).

NOTE: If no firebacks are used, make sure the media tray covers are in place (see below)

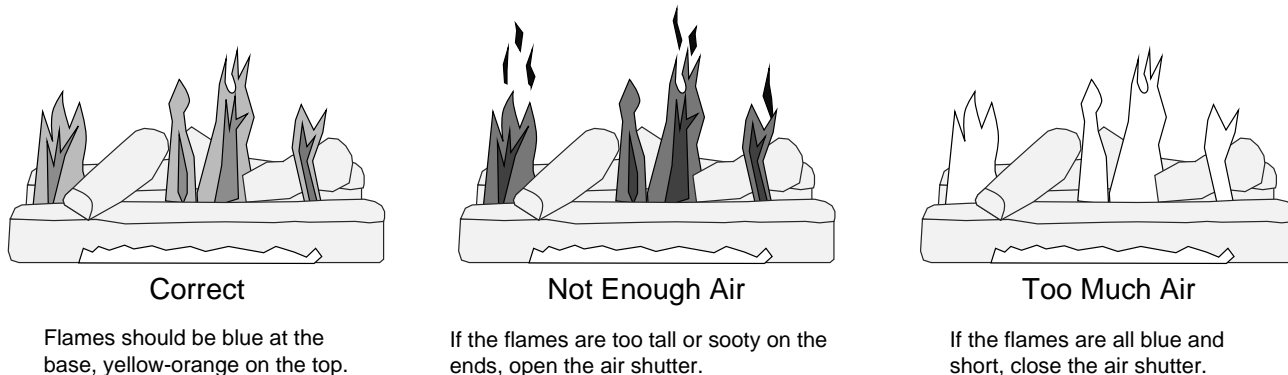


5. Install the ember chunks and emberbed glass (see page 40)
6. Install the logs (see page 42).
7. Replace the glass.
8. Start the heater.
9. Leak test all gas joints.

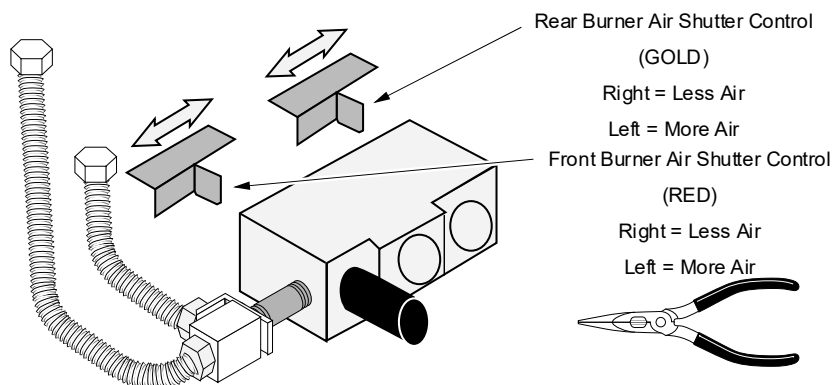
10. Check the air shutter following the directions below.

Air Shutter Adjustment

Let the heater burn for fifteen minutes (make sure the logs and glass are in place). The flames should be yellow with no sooting. Adjust the air shutter, if necessary, to achieve the correct looking flame.



Air Shutter Adjustment



NOTE: you may wish to use pliers to adjust the front air shutter. Typically, the front air shutter is fully closed on NG, fully open on LP

11. Adjust the flame to its highest position - the flames should not contact the top of the firebox. Check the flame on low position. The flames should burn off of each burner hole. If the heater does not work correctly, contact your Travis dealer for a remedy.
12. Give this manual to the home owner for future reference and fully explain operation of this heater. For comprehensive operating and maintenance instructions, refer to the Owner's Manual.

ACID WASH WARNING: Before installing the faceplate, make sure any masonry that has been treated with acid wash has been properly neutralized (this is used primarily with brick faces). Acid wash (muriatic acid) is used to remove excess mortar. If not properly neutralized with an ammonia solution, the plated face may develop a permanent tarnish when the acid evaporates over time. Contact your dealer if uncertain your facing has been properly neutralized.

36 Finalizing the Installation (for qualified installers only)

Barrier Removal



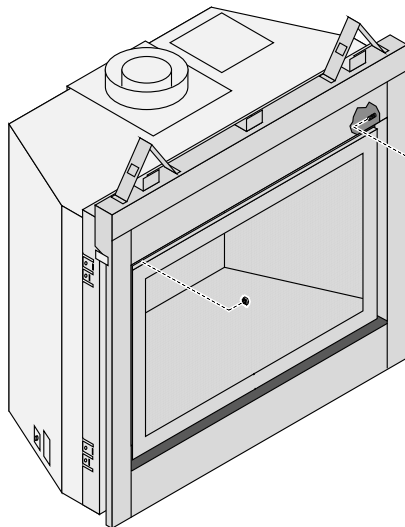
A barrier designed to reduce the risk of burns from the hot viewing glass is provided with this appliance and shall be installed for the protection of children and other at-risk individuals.



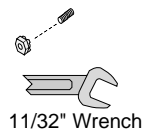
If the barrier becomes damaged, the barrier shall be replaced with the manufacturer's barrier for this appliance.



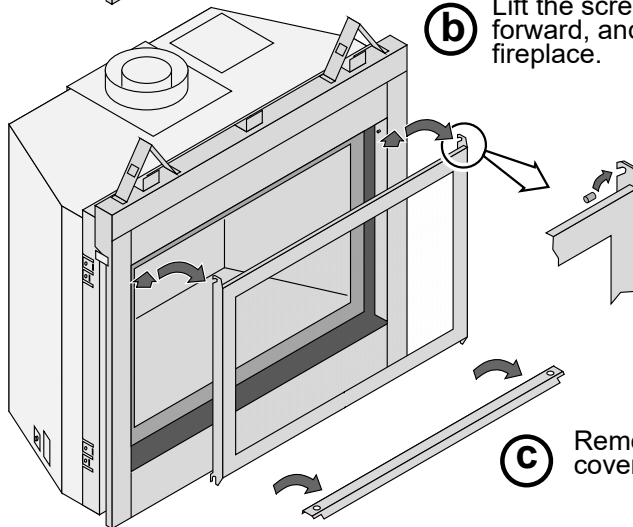
If using a face or grill that requires use of a cove cover, use the cove cover included with the fireplace (see below). Do not use the cover included with face or grill (if applicable).



a Remove and discard the two nuts used to secure the screen during shipping.



11/32" Wrench

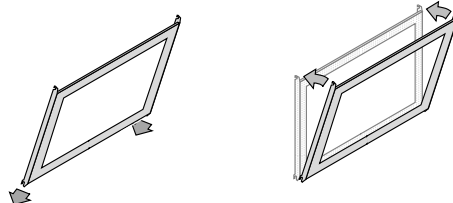


b Lift the screen up, pivot the top forward, and remove from the fireplace.

c Remove the concealment cover.



HINT FOR REPLACING THE SCREEN: Hold the screen at an angle and insert the bottom slots first. Then pivot the screen forward to engage the top hooks.




Glass Frame Removal and Installation

Warning: The appliance must be completely cool before removing the glass.

Warning: Do not strike or slam the glass.

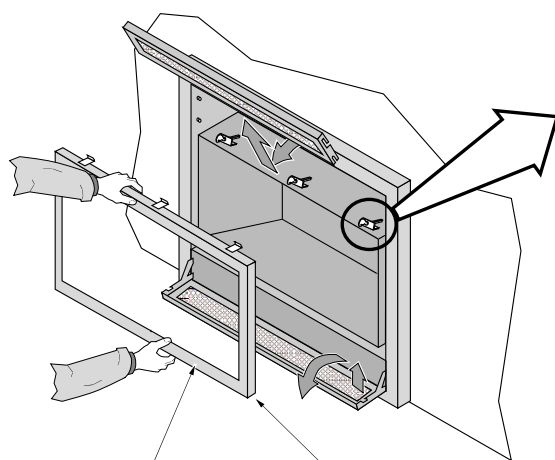
Note: Remove the barrier before removing the glass (see previous page). Replace barrier after replacing the glass.



You may use the included glass latch tool to unlatch the glass latch. When done with the tool, place it on the base of the fireplace below the concealment cover.

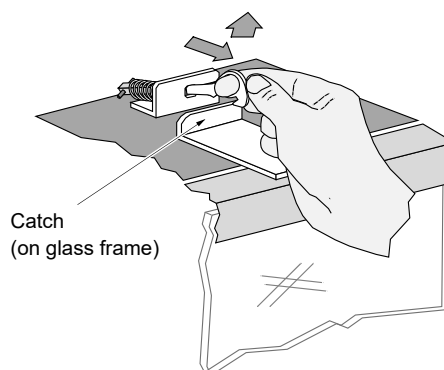
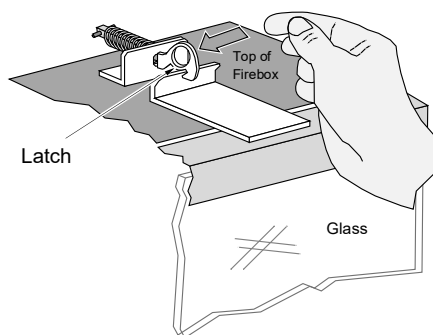
- a** Based upon the face being used, either:
- (a) swing the access door down and remove the top grill,
 - (b) remove the face (unscrew or lift off - see the instructions included with the face for details).

Open the six latches holding the glass frame in place (start with the bottom three) - follow the directions shown to the right.



- b** Lift the glass frame up and pull it forward to remove.

NOTE: You may need to lift the glass frame while re-attaching.



Re-Attaching the Glass Frame:

- a) Hang the glass frame on the firebox.
- b) While holding in place, attach the upper latches (follow the instructions above in reverse).
- c) Lift the glass frame slightly and attach the lower latches.

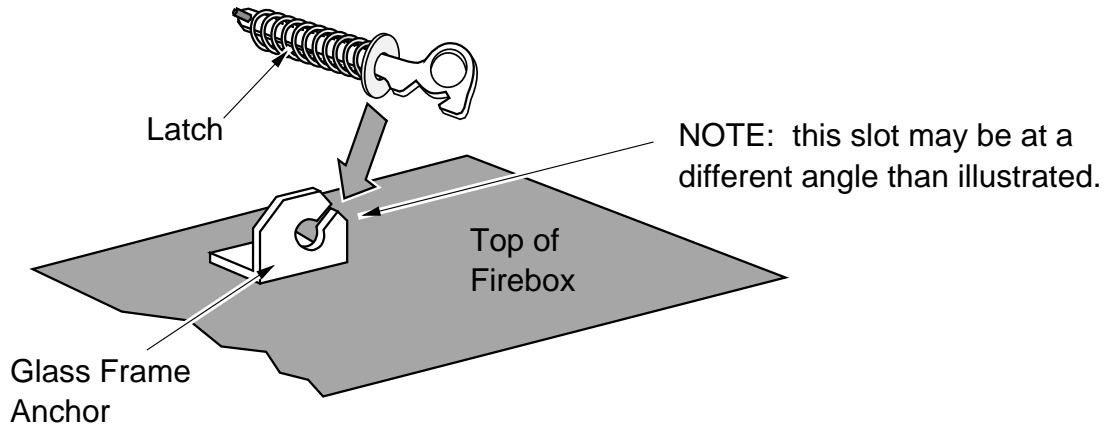
NOTE: Make sure the glass frame is all the way in place.

38 Finalizing the Installation (for qualified installers only)

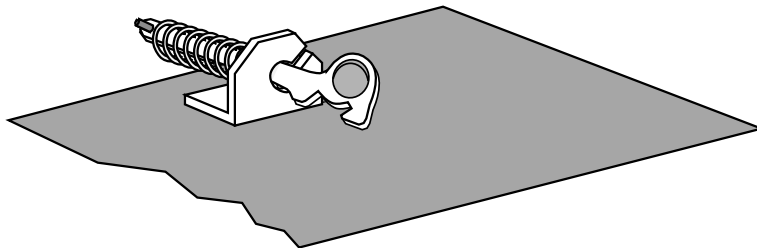
Glass Frame Removal and Installation (continued)

The latch can come loose from glass frame anchor. This occurs when it is turned 1/4 turn when it is disengaged. Follow the directions below to re-install the latch if it becomes loose.

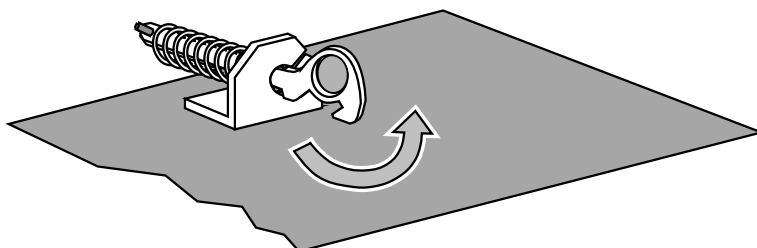
Hold the latch at an angle and insert it into the slot on the glass frame anchor.



Note how the washer on the latch fits behind the flange on the glass frame anchor.



Once fully inserted, turn the latch until it is upright.



Fireback Configuration Notes (Optional Fireback)

NOTE: If using an optional fireback install the kit prior to performing any other firebox setup.

WARNING: Turn off gas to the appliance and make sure it has fully cooled prior to conducting service.

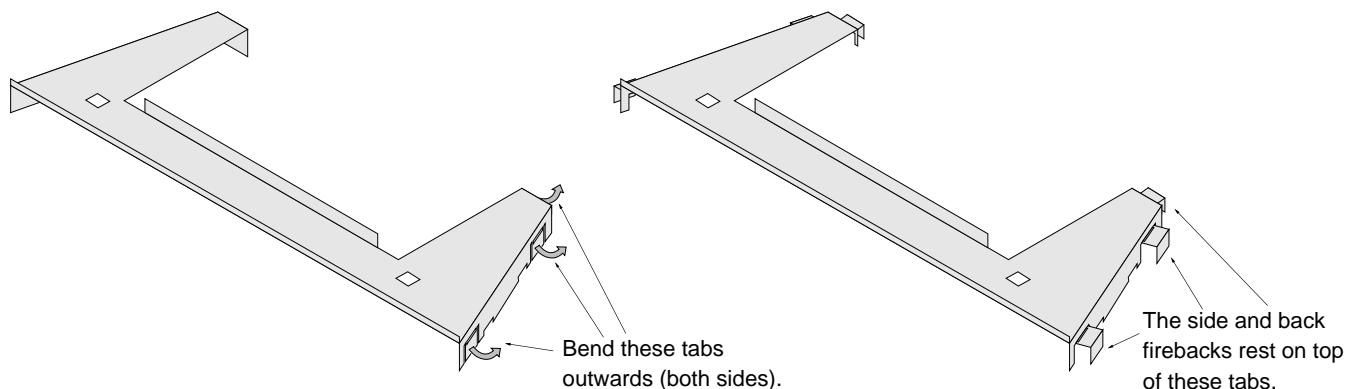
You may need to change the configuration of the firebox depending on which fireback option is being installed. Carefully review the information below before proceeding with firebox setup.

Media Tray Configuration

Ceramic Firebacks (except for Ledgestone): The media tray is unchanged. The side firebacks are installed to the outside of the media tray.

Glass or Ledgestone Firebacks: The tabs on the media tray are bent out – see directions below.

1. Remove the two screws that secure the log grate to the burner (set the grate and screws aside for reinstallation).
2. Remove the media tray from the firebox.
3. There are (2) bendable tabs on each side and on the back of the media tray. Gently bend the tabs outward 90 degrees (see illustration below).

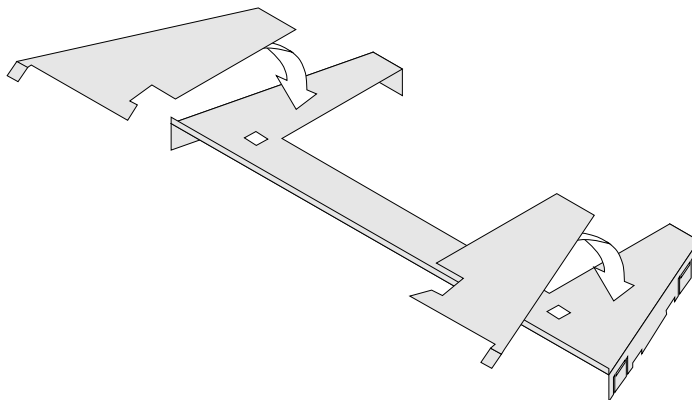


4. Reinstall the media tray into the firebox.
5. Reinstall the log grate and screws removed in step 1.
6. Install the firebacks into the fireplace following the directions included with the fireback kit. The firebacks will rest on the tabs bent out in step 3.

Media Tray Covers

Ceramic or Ledgestone Firebacks: The media trays are removed and discarded.

Glass or No Firebacks: Place the media tray covers over the right and left sides of the media tray as illustrated below. The covers will cover the gap between the fireback and the side of the media tray.

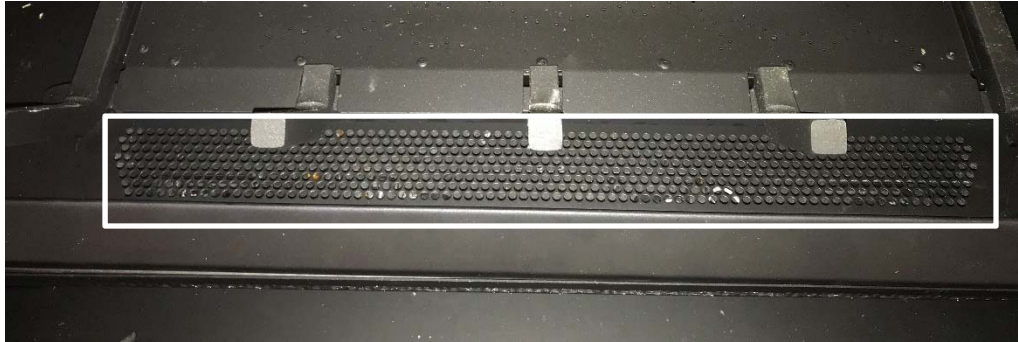


40 Finalizing the Installation (for qualified installers only)

Ember bed Glass and Ember Material Installation

Ember bed Glass Installation

- Make sure the ember skirt is in place. The skirt hooks over the front of the ember platform and slopes outward toward the glass. The skirt helps keep the glass and ember material from falling off the platform when the glass is removed.
- Locate the perforations in front of the log grate.



- Place a thick layer of the ember glass over the perforations making sure to cover all of the holes completely.



- Lightly dress the ember glass with the black touch-up paint provided. Check the appearance with the lights on and add additional paint, as needed, for a realistic glowing ember appearance.

NOTE: If power is supplied to the fireplace it can help to turn the lights on while painting so you can determine an appropriate amount of paint for a realistic ember appearance.

NOTE: We recommend that you use a piece of paper, cardboard as a shield to mask the log grate and burner from overspray (see below).



Ember Material Installation

- Once the ember glass installation is complete, place a generous amount of ember material on the firebox floor on either side of the firebox. Completely cover any visible metal on the firebox floor.

NOTE: Make sure no ember material is placed directly on the burner.

HINT: Add a few randomly placed ember chunks over the ember bed glass to produce a more realistic appearance.



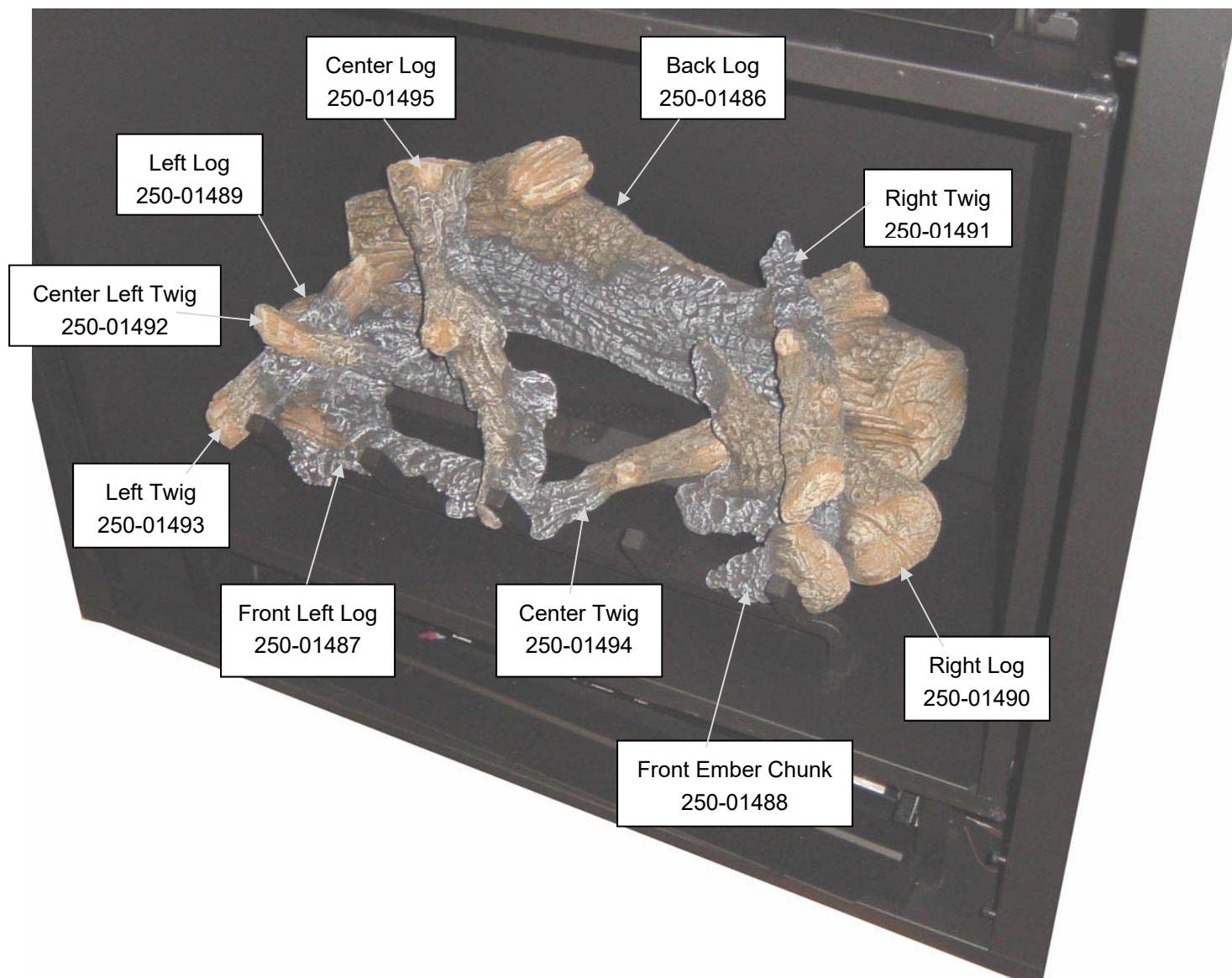
42 Finalizing the Installation (for qualified installers only)

Standard Log Set Installation (9450072)

NOTE: This log set (or alternative) is purchased separately. Refer to the instructions included with the log set for full details.

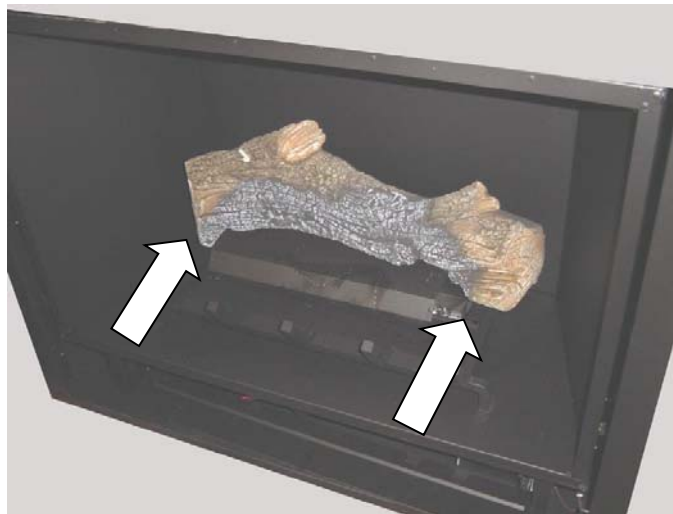
Log Set Overview

When installed, the ten (10) logs should appear as shown below. The directions on the following pages detail installation of this log set.



Back Log

The back log has two pockets that insert over two tabs on the back burner (see photos below). Place the log in place and push it back. The log straddles the burner and does not cover any burner holes.



Right Log

The right log has a channel on the bottom that fits over the grate. Place the log in place and slide it to the rear.



44 Finalizing the Installation (for qualified installers only)

Front Left Log

The front left log has a channel that fits over the grate. When in place the knob on the front of the log fits over the grate as well.



Left Log

The left log has a channel on the bottom. Place this channel over the grate. When in place, make sure the log is positioned so it does not block any burner holes.



Center Twig

The center twig is shown below. It has a pin on the bottom side. When in place, the fork on the front straddles the grate and the pin rests on the rear burner (make sure it is not over any burner holes).



Front Ember Chunk

The front ember chunk has a groove on the bottom that fits over the grate. Place it as shown below.



46 Finalizing the Installation (for qualified installers only)

Left Twig

The left twig has a hole on the bottom that fits over the pin on the front left log. Place the twig as shown below. The front left log has a groove that will point the twig upwards and to the right.



Center Left Twig

The left center twig is flat on the bottom and has a fork at one end. Place the twig as shown below. Note how the twig rests in the groove in the front left log and the fork lies directly on the bend in the rear burner. Make sure the twig is positioned so it does not cover any burner holes.



Center Log

The center log has a hole on the back and a fork on the front. Position the log so this fits over the pin on the back log. Make sure the fork on the front of the log fits over the grate as shown below.



Right Twig

The right twig has a hole on the bottom that fits over the pin on the right log. Position the twig so it rests on the back log as shown below.



48 Finalizing the Installation (for qualified installers only)

Rock Wool Placement

The included rock wool is placed on top of the burner to enhance the glow from the burner. **The rock wool works best when it is applied in a very thin layer.** The best method for applying the rock wool is to brush it on to the burner. Compress a clump of rockwool between your thumb and forefinger. Use a stiff brush to apply a thin layer of rockwool fibers onto the burner. Do not use the entire bag of rockwool. Use only a small amount and save the remainder. Over-use of rockwool will diminish the glow and may cause sooting or other adverse conditions.



LP Conversion Instructions



WARNING

This conversion kit shall be installed by a qualified service agency in accordance with the manufacturer's instructions and all applicable codes and requirements of the authority having jurisdiction. If the information in these instructions is not followed exactly, a fire, explosion or production of carbon monoxide may result causing property damage, personal injury or loss of life. The qualified service agency is responsible for the proper installation of this kit. The installation is not proper and complete until the operation of the converted appliance is checked as specified in the manufacturer's instructions supplied with the kit.

Caution: The gas supply shall be shut off prior to disconnecting the electrical power, before proceeding with the conversion.

Note: Convert the appliance prior to installing the gas line to ensure proper gas use.

The GSR Stepper Motor Kit (4-pack = 94400999), (single = 250-01463) is required for converting this appliance to LP. The kit contains the stepper motor (regulator) and torx wrench.

- 1 Remove the barrier and glass. Remove the logs and embers (if installed - page 39)
- 2 Remove the burners following the directions below.

Lift the rear burner, slide it to the right, and lift it from the firebox. The burner has a bracket that inserts over two pins behind the burner. When replacing the burner make sure it is properly located.



Lift the front burner, slide it to the right, and lift it from the firebox. When replacing the burner make sure it is properly located.



50 Finalizing the Installation (for qualified installers only)

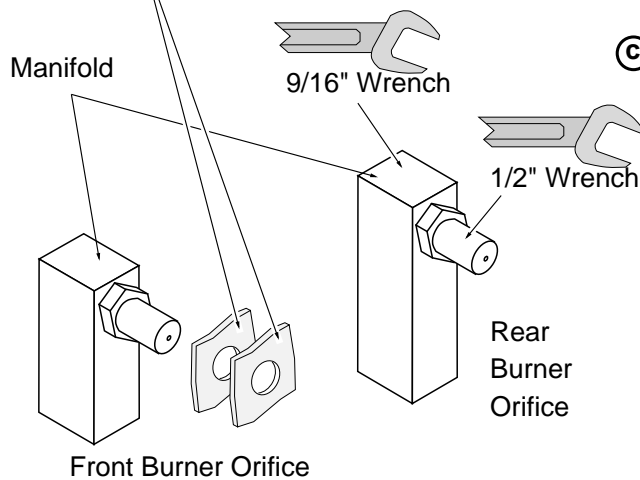
Remove the manifold cover and place it aside for reinstallation.



3 Follow the directions below to replace the orifice.

(a) Slide the air shutters to provide access to the orifices.

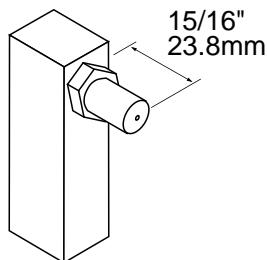
(b) Remove and discard the two gaskets on the front burner orifice.



(c) Use a 9/16" wrench to secure the manifold while removing each orifice with a 1/2" wrench.

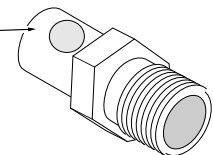
(d) Apply thread sealant to the LP orifices prior to installation. Use the chart below to identify the correct orifices.

(e) Screw each LP orifice until orifice protrudes 15/16" (23.8mm) indicating full insertion (use wrench to secure manifold when re-attaching orifice).



	NG	LP
Front	#43	#55
Rear	#43	#C55

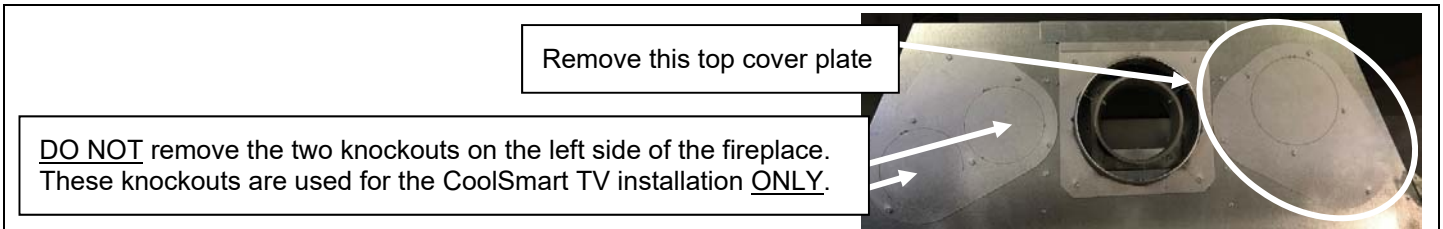
NOTE: The "#C55" orifice has a hole here.



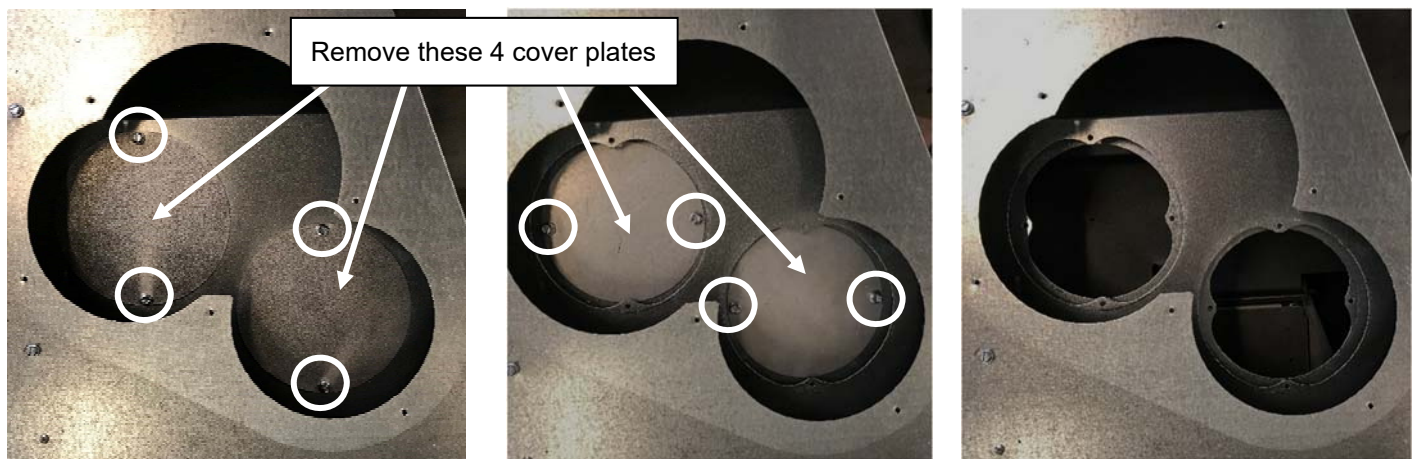
CoolSmart / Power Heat Duct Installation

Cover plates on top of the fireplace allow for a CoolSmart TV or Power Heat Duct kit to be installed on this fireplace. See the instructions below for details.

Power Heat Duct

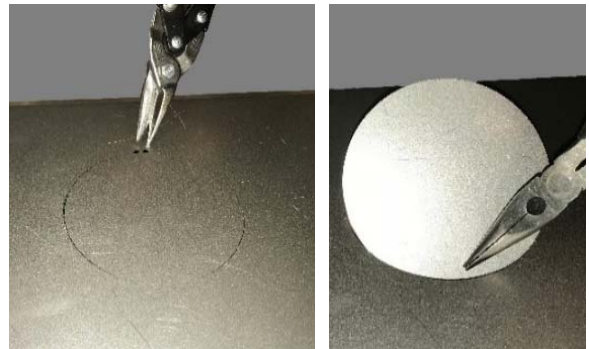
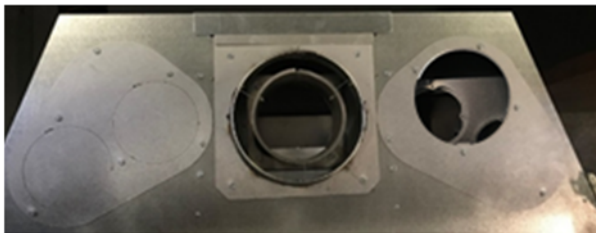


Remove the 2 pairs of cover plates below the top cover plate (2 screws hold each plate in place). **DISCARD THE 4 COVER PLATES.** Once all of the cover plates are removed the fireplace should look like the illustration below to the right.



- Re-install the top cover plate (with 6" knock out) and secure it with the screws removed earlier.

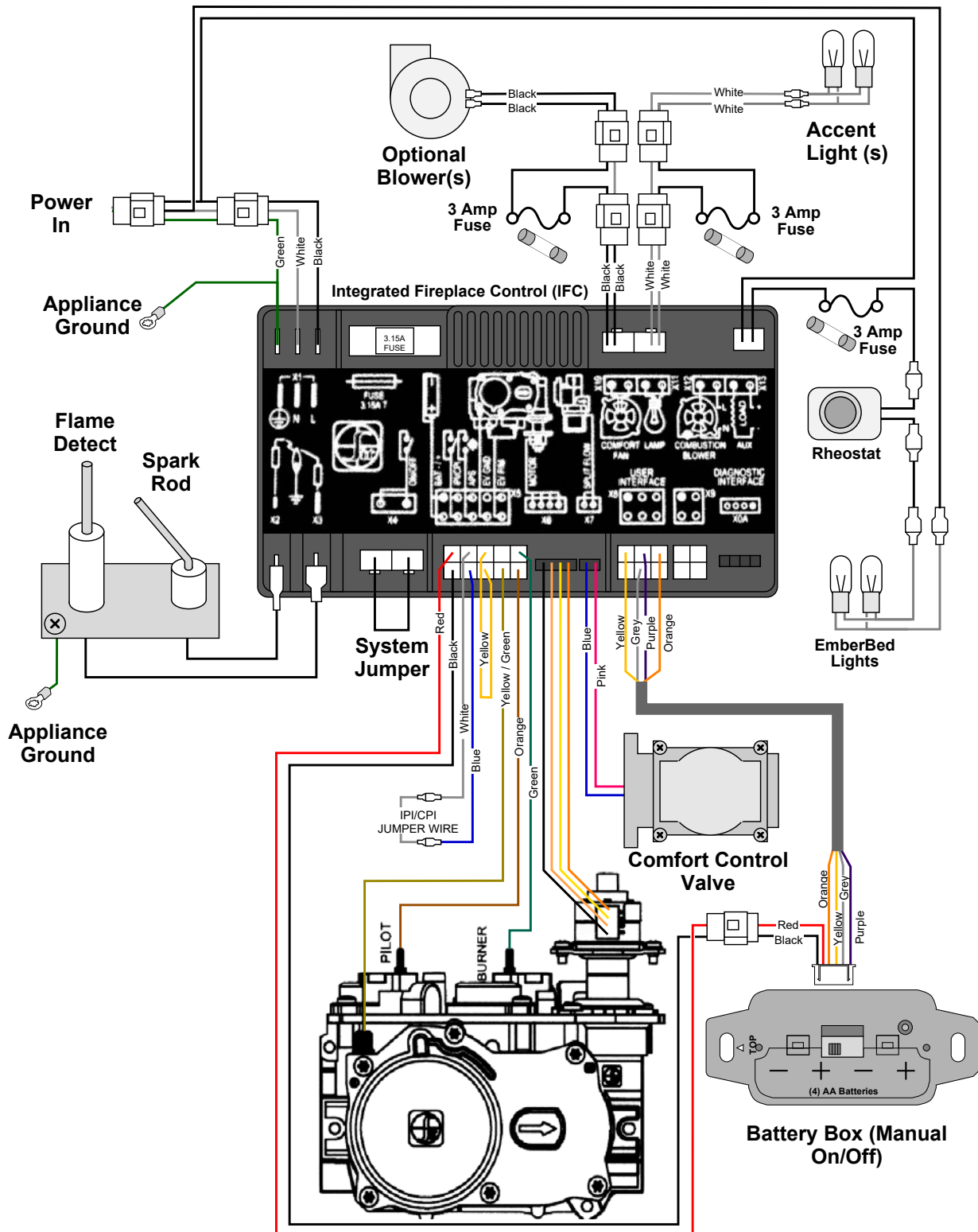
- Use snips to cut the tab on the knockout located on the top cover plate. Press on the far side of the tab to pop the edge of the knockout up. Grab on to the knockout with pliers and bend it back and forth until the remaining tabs break free. Discard the knockout. The flexible duct will attach to this location (see picture below and instructions included with the power heat duct).



CoolSmart TV

The top of the fireplace will need to be configured for the use of the CoolSmart TV kit. This includes switching the position of the top cover plates and removal of the 2 knockouts. Refer to the installation instructions with the kit for details.

Wiring Diagram



Index

Accessing the Area Under the Burner	20	Heating Specifications	6
Additional Items Required	7	Installation Options	6
Approved Vent Configurations	23	Installation Overview.....	7
Barrier Removal	37	LP Conversion Instructions.....	50
Class A Chimney Conversion	29	Mantel Requirements.....	34
CoolSmart / Power Heat Duct Installation.....	53	Masonry Chimney Conversions	28
Dimensions	6	Recommended Installation Procedure	7
Electrical Connection	19	Rock Wool Placement	49
Ember bed Glass and Ember Material		Safety Warnings.....	4
Installation	41	Standard Log Set Installation.....	43
Facing Requirements.....	33	Standoff and Drywall Support Preparation	8
Fireback Configuration Notes (Optional		Steps for Finalizing the Installation	35
Fireback).....	40	Termination Requirements	30
Fireplace Placement Requirements.....	9	Top Vent Configuration with Vertical Termination	
Gas Line Requirements	17	27
Glass Frame Removal and Installation.....	38	Vent Configuration - Horizontal Termination ...	26
Hearth Requirements.....	31	Vent Requirements	21