



hunterstoves
GROUP



ASPECT 14 ECO WOOD BURNING STOVE

INSTALLATION & OWNERS MANUAL

Manufactured by Hunter Stoves
For Dragon Wholesaling Pty Ltd
Unit 4/16 Lexington Drive Bella Vista. NSW 2153

Tested by:
Australian Solid Fuel Testing
3 Garden St, Morwell Vic 3840

Tested to:
AS/NZS 4012/4013 (2014)
Report Number: ASFT25104
AS/NZS 2918 (2018)
Report Number: ASFT25110



Rev 01/2025



hunterstoves
GROUP

Welcome to the Hunter Stoves family and thank you for purchasing an Aspect Eco stove. This stove was designed and built to be a high-performance heating appliance, and we hope it will bring you great enjoyment. The natural environment is important to us, so our stoves are manufactured to provide you with a clean and efficient burn that will keep you warm through cold winter nights.

CONTENTS

DATA PLATE & APPROVALS	1
STOVE DIMENSIONS	2
SAFETY INFORMATION	3
GENERAL INFORMATION & SPECS	4
HEARTH REQUIREMENTS	5
WALL CLEARANCES	6
FLUE REQUIREMENTS	7
GENERAL GUIDENCE	12
OPERATING INSTRUCTIONS	15
MAINTENANCE AND SERVICING	17
IMPORTANT INFORMATION	19
TROUBLESHOOTING	21
WARRANTY	22

PRODUCT DATA PLATE

HUNTER STOVES LIMITED

ASPECT 14 ECO (AU) FREESTANDING

SERIAL NO.

TESTED BY: AUSTRALIAN SOLID FUEL TESTING - MORWELL, VICTORIA

TESTED TO: AS/NZS 4012 / 4013:2014

Report Number: ASFT25104-1 Date Tested: 4/11/2025 - 14/11/2025

**WHEN TESTED IN ACCORDANCE WITH AS/NZS 4012 & 4013 (2014)
MAXIMUM AVERAGE HEAT OUTPUT BURNING HARDWOOD - 8kW
OVERALL AVERAGE EFFICIENCY BURNING HARDWOOD - 63%
APPLIANCE EMISSION FACTOR BURNING HARDWOOD = 0.9G/KG**

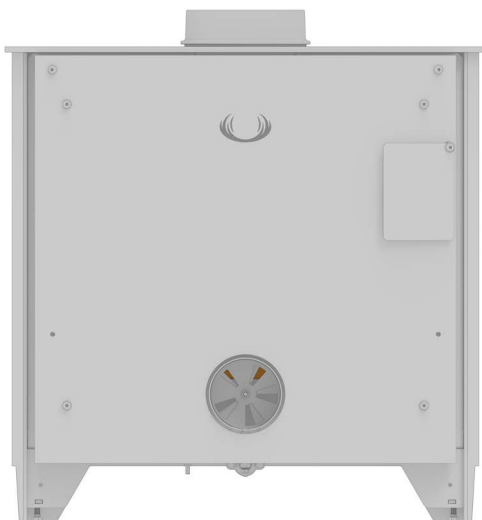
Manufactured by: Hunter Stoves Ltd. - 8 Emperor Way, Exeter, United Kingdom

Exclusively for Dragon Wholesaling Pty Ltd

UNIT 4, 16 Lexington Dr. Bella Vista, NSW 2153, Australia

DATE OF MANUFACTURE

2025 2026 2027 2028 Jan Feb Mar Apr May Jun Jul Aug Sep Oct Nov Dec

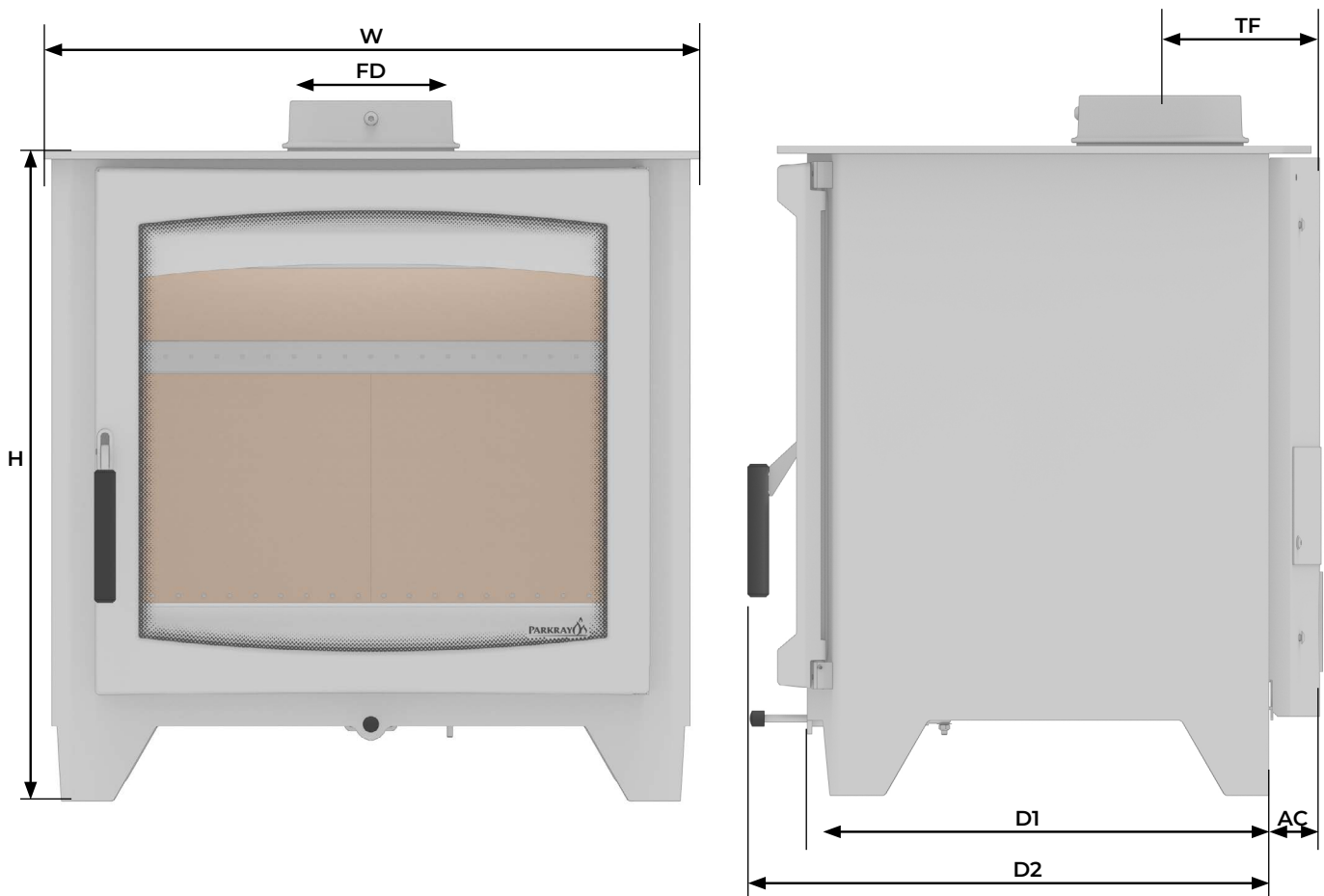


Data plate located on rear of stove



Data plate rotates to reveal data

STOVE DIMENSIONS



DIMENSIONS	H	W	FD	TF	AC	D1	D2
Aspect 14 Eco	655mm	665mm	152mm	165mm	53mm	470mm	530mm

SAFETY INFORMATION

WARNING: THE APPLIANCE AND FLUE SYSTEM SHOULD BE INSTALLED IN ACCORDANCE WITH AS/NZS 2918 AND THE APPROPRIATE REQUIREMENTS OF THE RELEVANT BUILDING CODE OR CODES.

WARNING APPLIANCES INSTALLED IN ACCORDANCE WITH A AS/NZS 2918 SHOULD CONFORM TO THE REQUIREMENTS OF AS/NZS 4013 AND AS/NZS 4012 WHERE REQUIRED BY THE REGULATORY AUTHORITY, THAT IS THE APPLIANCE SHOULD BE IDENTIFIABLE BY CONFORMANCE PLATE WITH THE MARKING 'TESTED TO A AS/NZS 4013 AND AS/NZS 4012' AS SPECIFIED IN AS/NZS 4012.

ANY MODIFICATION OF THE APPLIANCE THAT HAS NOT BEEN APPROVED IN WRITING BY THE TESTING AUTHORITY IS CONSIDERED TO BE IN BREACH OF THE APPROVAL GRANTED FOR PERFORMANCE TO AS/NZS 4013.

CAUTION: MIXING OF APPLIANCES OR FLUE SYSTEM COMPONENTS FROM DIFFERENT SOURCES OR MODIFYING THE DIMENSIONAL SPECIFICATION OF COMPONENTS MAY RESULT IN HAZARDOUS CONDITIONS. WHERE SUCH ACTION IS CONSIDERED, THE MANUFACTURER SHOULD BE CONSULTED IN THE FIRST INSTANCE.

CAUTION: CRACKED AND BROKEN COMPONENTS, FOR EXAMPLE GLASS PANELS OR CERAMIC TILES, MAY RENDER THE INSTALLATION UNSAFE.



The appliance will become very hot when used in accordance with the instructions. The supplied operating tool or glove may be used to open the door and operate the air controls. We also recommend use of a fire-guard in the presence of children, the elderly or the infirm.

Legal Requirements

These instructions cover the basic principles to ensure satisfactory installation of the stove, although details may need slight modification to suit particular local site conditions.

In all cases the installation must comply with current Building Regulations, Local Authority Byelaws and National Standards and other specifications or regulations as they affect the installation of the stove.

Safety Notice

This appliance must be installed as per AS/NZ 2918 (2018)

If this appliance is not properly installed, a house fire may result. For your safety, follow the installation directions. Contact local building or council officials about restrictions and installation inspection requirements in your area.

GENERAL INFORMATION

Stove Model	Maximum Average Heat Output	Average Peak Power	Average Efficiency	Peak Efficiency	Emmision Factor	Weight
Aspect 14 Eco	8.0kW	14.1kW	63%	68%	0.9g/Kg	130Kg

The performance values above are valid in the Australia based on testing to AS/NZS 4012 & 4013 (2014)

Hearth / Floor Protection Requirements

Hearth constructions must comply with the current building regulations. Your stove must be installed on a floor with adequate load-bearing capacity. If the existing construction does not meet this pre-requisite, suitable measures (e.g. load distributing plate) should be put in place. See page 5 for hearth dimensions and information.

Air Supply

Due consideration should be given to air requirements for any other appliance in the same room or space. Any air opening must be kept clear from blockage or obstruction.

Adequate air supply is required for any wood stove. If the home is newer then further attention may be needed especially where the design air permeability is lower. Consider adding the optional direct air kit for improved draft where necessary.

Carbon Monoxide (CO) Alarms

We suggest a carbon monoxide (CO) alarm be installed in the room where the stove is located. (See page 19 for additional details.)

The use of such an alarm is not considered a substitute for regular maintenance or servicing of the appliance and flue system.

Clearance to Combustible Walls

For clearance to combustible materials, refer to page 6.

Clearance to combustible materials are stated in accordance with AS/NZS 2918 (2018), where a combustible surface at the stated distance will be less than 65°C above ambient room temperature (under test conditions).

Others Clearance Considerations

Hunter Stoves recommends a minimum gap of 75mm around the stove to provide space for convection around the appliance, improving heat transfer to the room.

Connection in an Existing Chimney

If installing this stove in an existing brick chimney opening, it must be sealed with a register plate.

Hunter Stoves recommends using 6" flue pipe up the entire chimney where possible.

If this is not possible a short length of 6" flue pipe may then be used to connect the stove to the chimney and register plate.

Ensure that the pipe end is no closer than 76mm to the chimney walls. The length of any horizontal run of flue pipe must not exceed 125mm. It is essential that all connections between the stove and chimney-flue are sealed and made airtight. Any bend in the chimney or connected flue pipe should not exceed 45°.

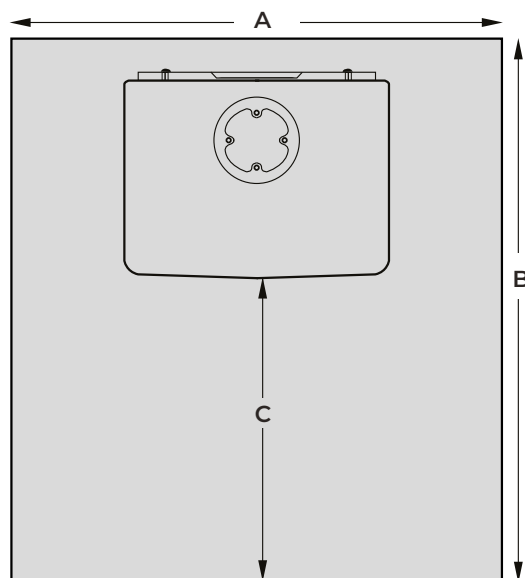
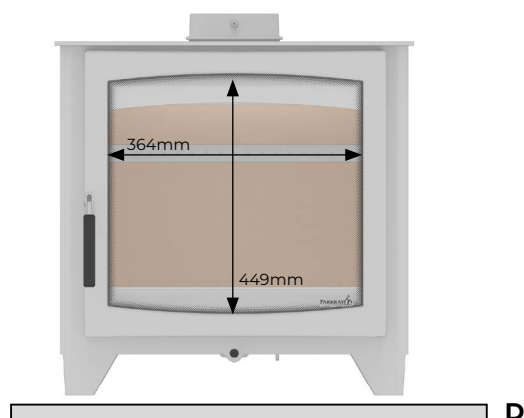
Ensure any existing chimneys are clear of obstruction and have been swept prior to installation. If the stove is being fitted into a previous open fireplace then the chimney must be swept one month after fitting.

Make provision to access the chimney/flue system for cleaning and the removal of debris.

Please check the suitability of the fireplace and/or surround for use with this appliance before installing it. If you have any doubts about the suitability of your chimney, consult your local Dealer or Authorised Installer.

HEARTH REQUIREMENTS

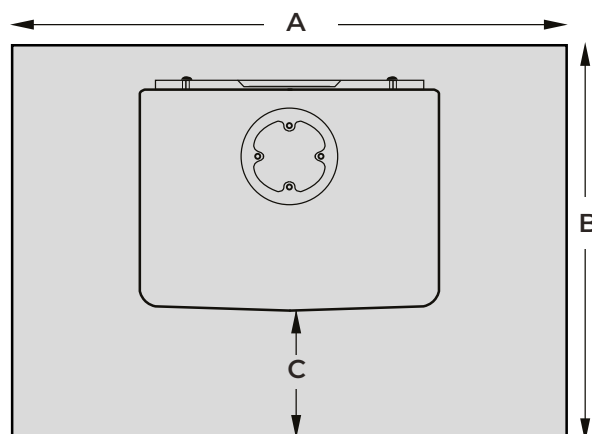
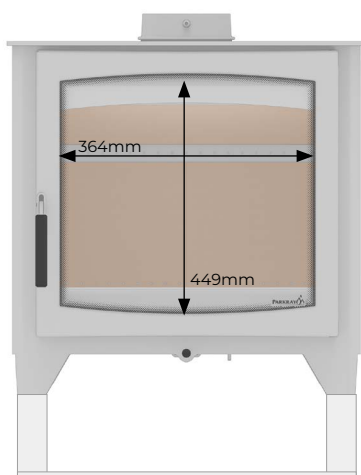
Hearth Requirements - Legs (Shipped As Standard)



A - Min Hearth Width	885mm
B - Min Hearth Depth	1075mm
C - Floor protection front	470mm
D - Min Hearth Thickness	48mm
Minimum Hearth on Legs - 1075mm deep x 885mm wide x 48mm thick*	

Hearth Requirements

When Installed with Hunter Stoves plinth or bench options

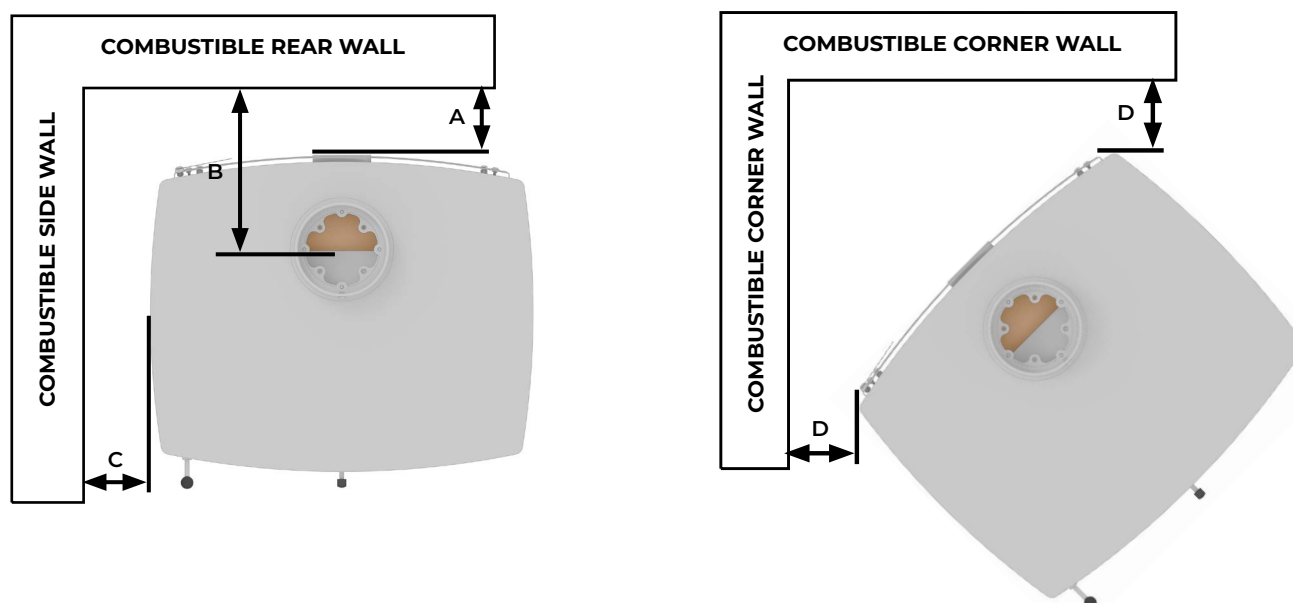


A - Min Hearth Width	885mm
B - Min Hearth Depth	905mm on log plinth and bench
C - Floor protection front	300mm on log plinth, and bench
Minimum Hearth on log plinth and bench - 905mm deep x 885mm wide x 25mm thick*	

*Floor protector (compressed fc sheet) should be used under and in front of the appliance base & be placed centrally in the 885mm width. The Thermal resistivity of the floor protector is 0.18m².K/W for 42mm thick compressed board sheets.

WALL CLEARANCES

Combustible Wall Clearances



Aspect 14 Eco Clearance Requirements	Triple Skin Default Kit - 8" Solid Heat Shield or Half Heat Shield*	Additional Flue Kit Heat Shielding*
A – Back wall to stove top	250mm	150mm*
B – Flue centre to rear wall	415mm	315mm*
C – Side wall to stove top	550mm	
D – Corner wall to stove top	300mm	

* Flue Kit Options

This appliance is approved with a 6" triple skin flue kit with 8" solid casing and tested in two positions in a manner conforming to joint Australian/New Zealand Standard 2918:2018, Appendix B.

Note: The appliance or flue system should not be modified in any way without the written approval of the manufacturer.

FLUE REQUIREMENTS

* Flue Kit Options

This appliance is approved with a 6" triple skin flue kit with 8" solid casing and tested in two positions in a manner conforming to joint Australian/New Zealand Standard 2918:2018, Appendix B.

The flue kit and heat shields chosen will affect the rear wall clearance.

250mm Rear Wall Clearance

Use default triple skin flue kit with 8" solid outer heat shield or half heat shield or approved insulated flue kit. See Flue A

**150mm Reduced Rear Wall Clearance

- 900mm high x 180° stainless steel rear flue shield fitted between the solid 8" casing and the 6" active pipe.
- Double half heat shield for first 900mm of default kit
- Additional half heat shield in conjunction with 8" solid insulated flue kit

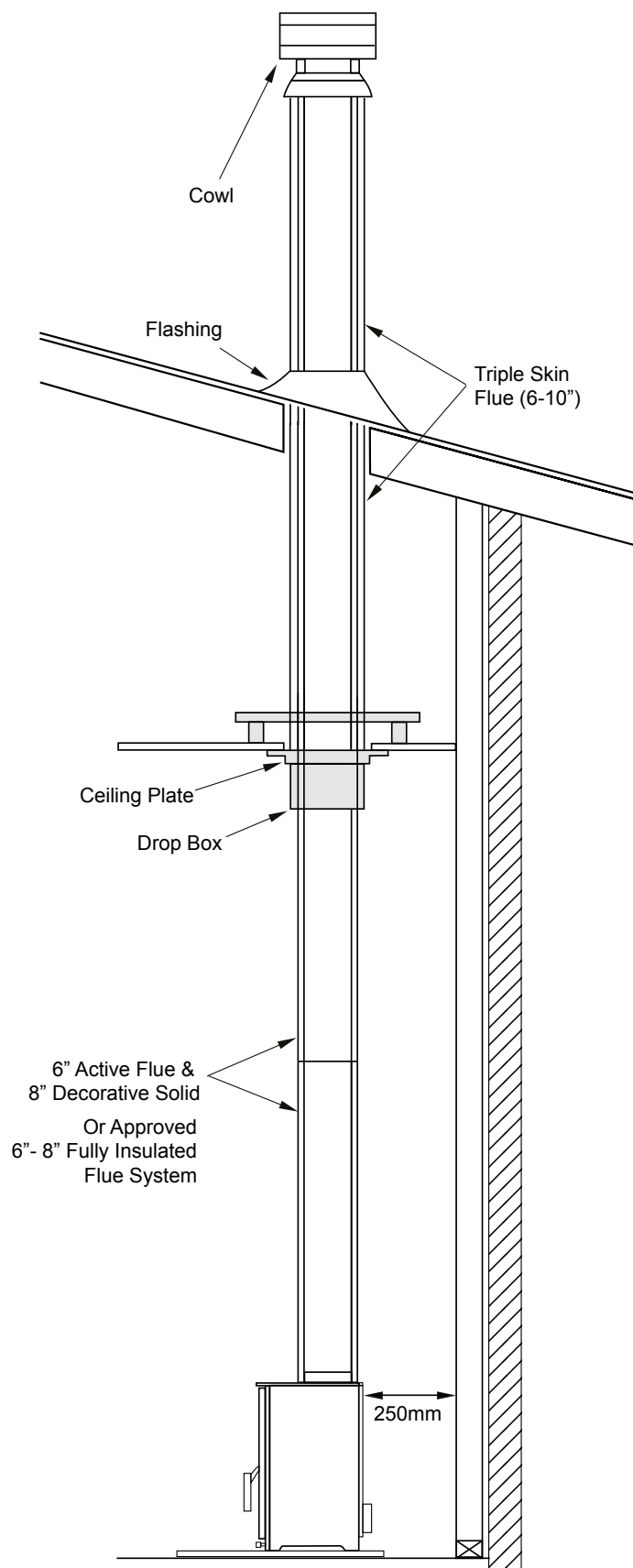


Note: The appliance or flue system should not be modified in any way without the written approval of the manufacturer.

FLUE REQUIREMENTS

Standard 6" - 10" Triple Skin Flue Kit Installation - 8" Solid Heat Shield

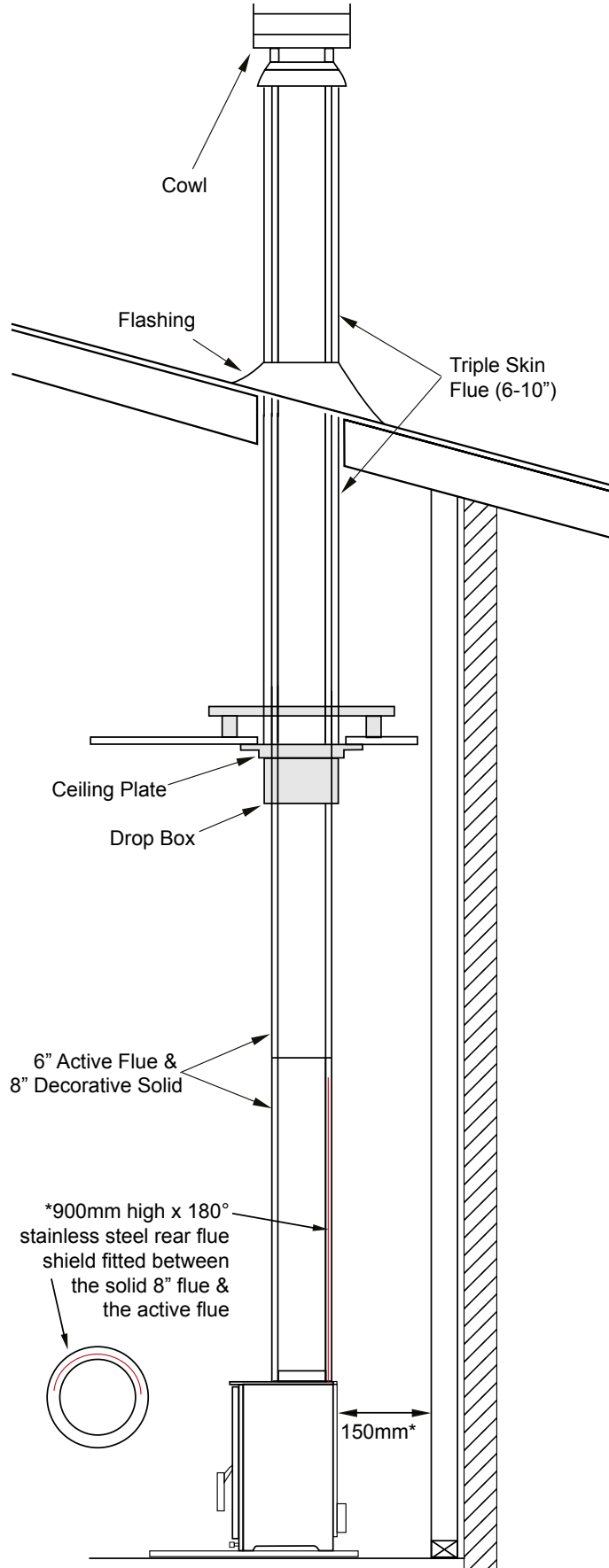
This appliance is approved with a 6" triple skin flue kit with 8" solid casing and tested in two positions in a manner conforming to joint Australian/New Zealand Standard 2918:2018, Appendix B.



FLUE REQUIREMENTS

Standard 6" - 10" Triple Skin Flue Kit Installation - 8" Solid Heat Shield & Inner Shield

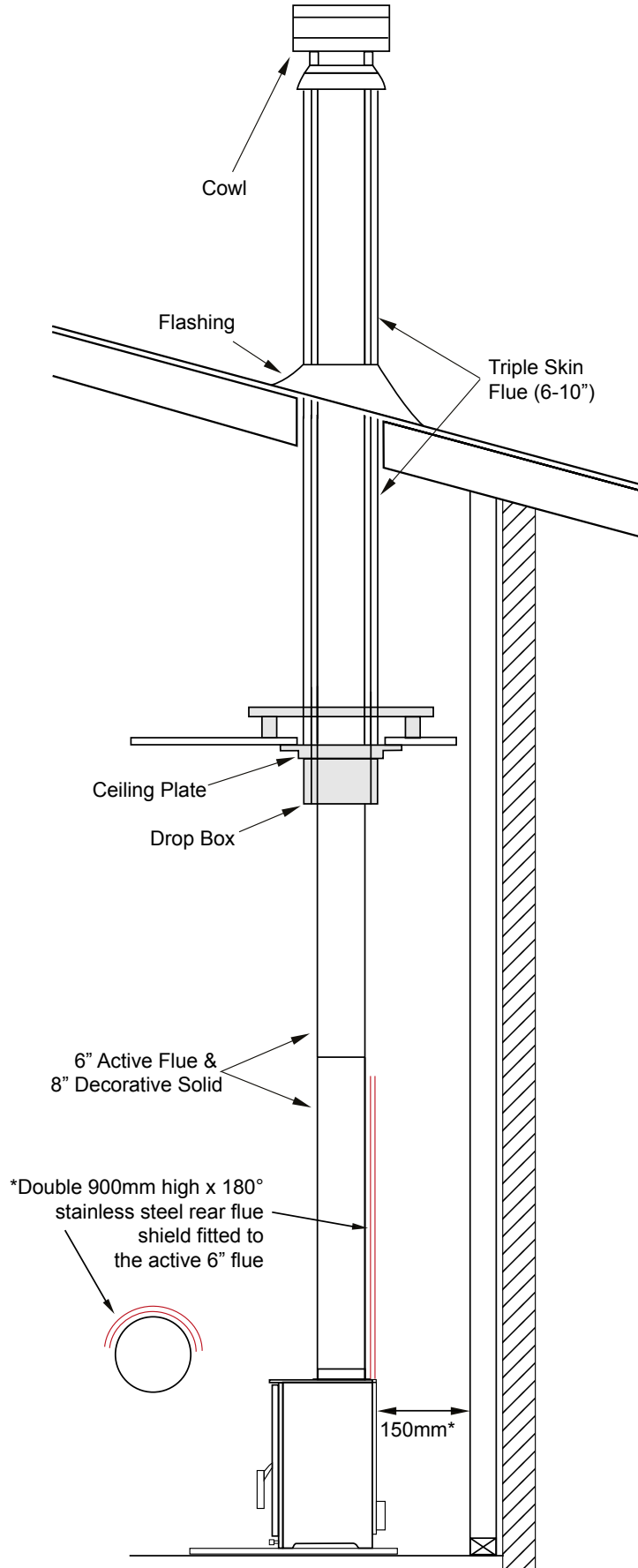
Reduced Rear Wall Clearance when installed with 900mm high x 180° stainless steel rear flue shield fitted between the solid 8" flue & 6" active flue.



FLUE REQUIREMENTS

Standard 6" - 10" Triple Skin Flue Kit Installation - Double Half Heat Shield

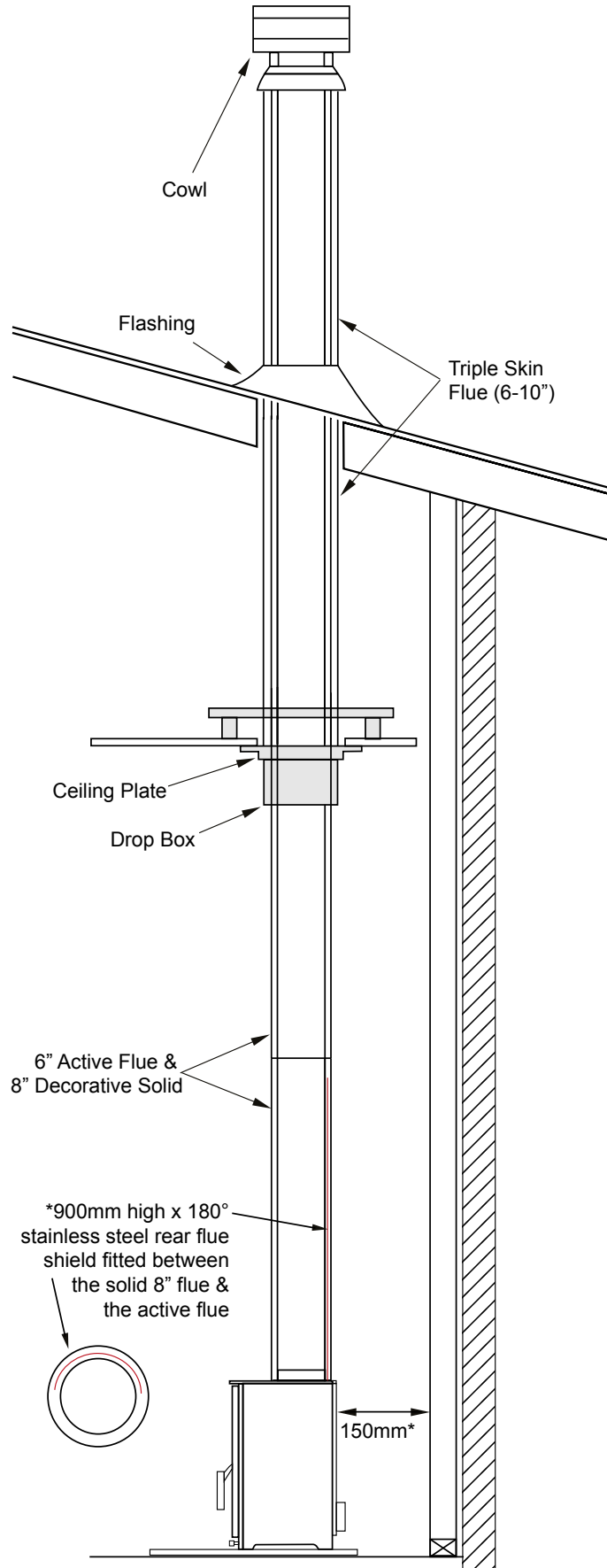
Reduced Rear Wall Clearance When installed with Double 900mm high x 180° stainless steel half heat shield fitted between the 6" active flue & rear wall.



FLUE REQUIREMENTS

Approved 6" - 8" Insulated Flue Kit - With Half Heat Shield

Reduced Rear Wall Clearance When installed with Approved Insulated Flue Kit installed with 900mm high x 180° stainless steel half heat shield fitted between the 8" flue & rear wall.

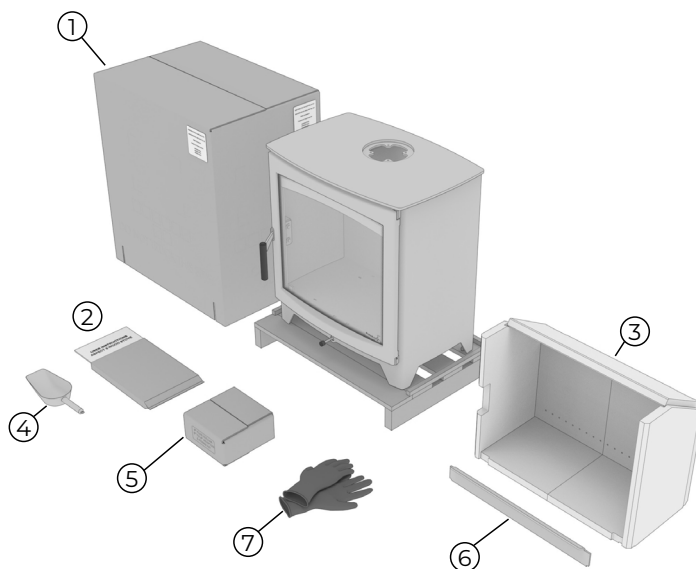


GENERAL GUIDANCE

Unpacking and Removing Internal Components

After unpacking all internal components must be removed prior to fitting the stove. This will make handling the stove easier; allow access to fixings and the flue outlet; as well as protect the internal components from damage during the installation process.

- 1) Box
- 2) Instructions
- 3) All bricks
- 4) Shovel
- 5) Flue Collar Fixing Box
- 6) Log Retainer
- 7) Gauntlet (pair)

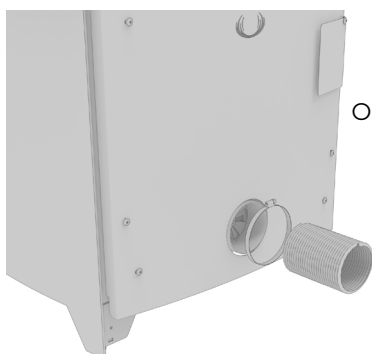


Flue Collar



Install 6" flue collar onto stove top

Direct Air

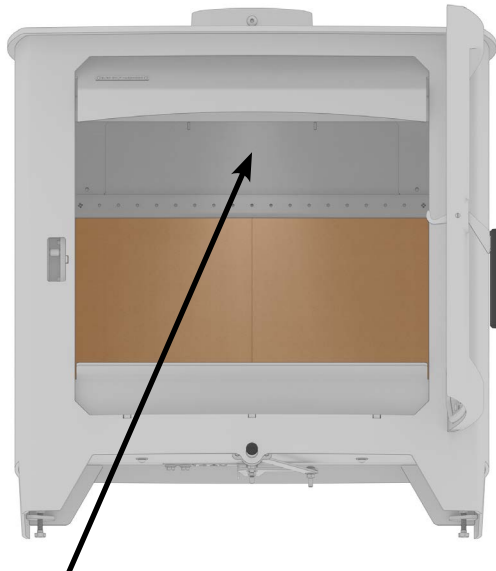


Optional Direct Air Kit

Baffles - Removal



Lift the brick baffle and slide to one side and allow the other side to drop down into firebox (supporting at all times). Then remove from appliance.



Baffle plate as shown above.



Slide the baffle plate forward so it is clear of the secondary bar and pull down into firebox and remove.

Health and Safety Guidance

Special care must be taken when installing the stove such that the requirements of the Health and Safety at Work Act are met.

Handling

This appliance is very heavy. Adequate facilities must be available for loading, unloading and side handling.

Fire Cement

Some types of fire cement are caustic and should not be allowed to come into contact with the skin. In case of contact, wash immediately with plenty of water.

Asbestos

This stove contains no asbestos. If there is any possibility of disturbing any asbestos in the course of installation, then please seek specialist guidance and use appropriate protective equipment.

Metal Parts

When installing or servicing this stove, care should be taken to avoid the possibility of personal injury.

Stove Performance

This is a Domestic Appliance and must only be used in accordance with these instructions.

Important Warning

This stove must not be installed into a chimney that serves any other heating appliance.

Fitting a stove in a room which also contains an extractor fan and/or cooker hood should be avoided where possible. If this is unavoidable, the suitability of the space for fitting this appliance must be decided at the discretion of a qualified installer, and a flue draught interference test must be performed.

Operating With The Doors Open

The stove is tested as a closed door appliance and as such should not be operated with the doors open (except for fuel re-loading etc.)

TRIPLEBURN TECHNOLOGY

Our unique cleaner burning technology utilises three streams of air - Primary, Secondary and Tertiary - to provide optimum air flow to the firebox, aiding combustion and ensuring maximum efficiency throughout. This draws air over the fuel, across the door and behind the fuel. This means a faster light up and a fuller burn of the fuel.

Airwash Technology allows air to flow over the glass and across the fuel to ensure that the glass is always kept clean - guaranteeing an excellent view of your fire as it burns.

THE ENVIRONMENT (FRIENDLY FIRING)

To produce a more environmentally friendly way of burning your stove avoid turning it down to the point where you cannot see any visible flames. If the stove is run this way then the gases produced from the wood will not be burnt off (due to low temperatures in the chamber). This can also cause soot to condense in the flue system and could lead to a chimney fire. The smoke that is left as it exits the chimney will also pollute the surroundings and cause an unpleasant smell.

Remember - your chimney (however good) will not perform well if the stove is not used correctly.

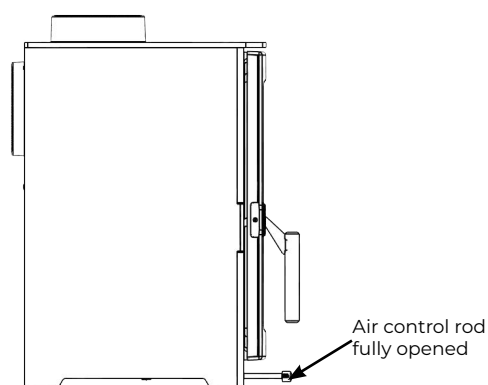
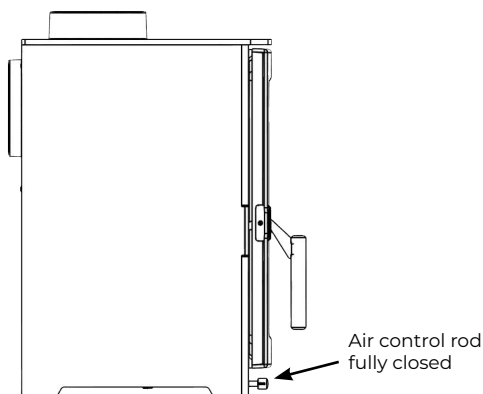
OPERATING INSTRUCTIONS

Stove Body

Safety Advice

The stove paint curing process takes place at room temperature and the surface coating is virtually free from fumes and odours. When being put into operation for the first time we would recommend that windows and doors are opened for a short time to provide ventilation.

Air Controls



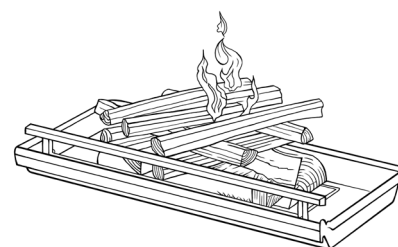
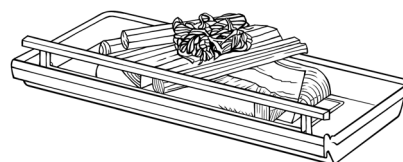
When the air control rod is pushed in fully then both the Primary and Secondary air intakes are in the closed position.

To operate pull the air control away from the stove. For the air control to be in the fully open position both Primary and Secondary pull the air control rod away from the stove until it stops. This is necessary for lighting the stove.

Lighting the Stove

Hunter Stoves recommends the top down lighting method for a cleaner and more convenient start.

1. Ensure the air control is in the fully open position, and the internal grate is fully closed.
2. In the base of the stove, place 2 or 3 larger split and dry logs. Ensure a gap is left between the logs as this allows air movement to help the fire breathe when lit.
3. Place 2 smaller logs on top at 90° to the bottom logs.
4. Layer approximately six to eight pieces of kindling (finely chopped wood) on top of the logs in a crisscross pattern.
5. Place 1 or 2 eco fire lighters on top of the kindling in the centre.
6. Finally, place 2 to 4 thin pieces of kindling on top of the eco fire lighters.
7. Close the door as soon as flames appear.
8. A small amount of soot may appear on the glass during the lighting. This is perfectly normal and will go after a period of time.
9. Extra logs should not be added until the logs have burnt down into a bed of glowing embers.



Kindling:

Length - 15cm to 20cm
Diameter - 1cm to 3cm
Approximately 8-12 finely chopped pieces

Kindling is required to bridge the gap between firelighters and logs, creating the initial heat required for clean combustion. A lack of kindling may cause the fire to smoulder or potentially go out.

Adding Wood

1. Only refuel when fire has died down to embers. Ensure that the wood you are using has a moisture content of less than 18% (we recommend 12-15% to ensure an efficient burn).
2. When refuelling open all the air controls fully and the damper (if fitted).
3. Open the door slowly by releasing the handle and allowing to stay like this for 5 to 10 seconds. Opening the door too fast will cause smoke to be drawn into the room as the firebox has not had time for the pressure to equalise. The smoke will then take the easiest route which is out through the opening.
4. Fully open the door slowly and break apart the remaining char, distributing it across the base of the firebox.
5. Carefully place the logs in. It is recommended you use 2 to 3 pieces of wood, placed parallel with each other and the stove glass. Please do not load the wood any higher than the top of the rear vermiculite brick (~160mm).
6. Close the door. (All our stoves are tested as closed door appliances and should be used as such.)
7. Keep the air control in the fully open position until the logs catch fire.
8. After a few minutes once the flames are fully established, slowly close the air control for a more efficient burn.

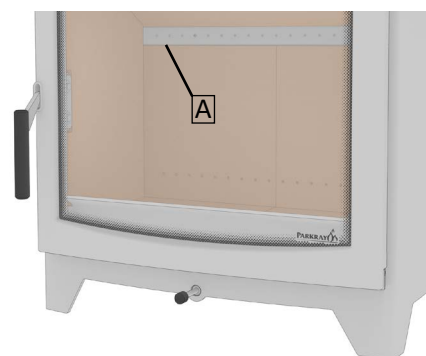
Maximum Fill Line

Do not fill the firebox with wood above the tertiary holes in the stainless steel bar (A) at the back of the firebox. Additionally, some products may have a lower maximum fill level indicated by a line on the side bricks.



IMPORTANT - FIREWOOD

This stove is approved for **burning hardwood only**. Ensure the wood has a moisture content of less than 18% to allow the fuel to catch quickly. If the fuel has a higher moisture content then you are burning the water off and this will reduce the heat output and take longer to burn correctly. This can also cause a build up of soot and tar which could lead to a chimney fire. It will also cause the glass of the stove to blacken. Store firewood off the ground in a covered area. Allow for airflow around the wood to dry the wood.



Refuelling must be carried out with a sufficient quantity of glowing embers and ash, so that the new fuel charge can ignite quickly. If there are too few embers, add some kindling to prevent excessive smoke. After refuelling leave the air control fully open for one minute before reducing to the desired setting.

Excess ashes should be removed when necessary and placed in a non-combustible container with a tightly fitting lid and move outdoors immediately to a location clear of combustible materials.

WARNING!

WARNING: ANY MODIFICATION OF THE APPLIANCE THAT HAS NOT BEEN APPROVED IN WRITING BY THE TESTING AUTHORITY IS CONSIDERED AS NOT PERFORMING TO AS/NZS SPACE 4013.

WARNING: DO NOT USE FLAMMABLE LIQUIDS OR AEROSOLS TO START OR REKINDLE THE FIRE.

WARNING: DO NOT USE FUMBLE LIQUIDS OR AEROSOLS IN THE VICINITY OF APPLIANCE WHEN IT IS OPERATING.

WARNING: DO NOT STORE FUEL WITHIN HEATER INSTALLATION CLEARANCES.

WARNING: WHEN OPERATING THIS APPLIANCE AS AN OPEN FIRE, USE A FIRE SCREEN.

WARNING: OPEN AIR CONTROL (AND DAMPER FITTED) BEFORE OPENING FIRE AND DOOR.

WARNING: DO NOT BURN WOOD THAT IS PAINTED; OR IS COATED WITH PLASTIC: OR HAS BEEN TREATED WITH ANY CHEMICAL.

CAUTION: DO NOT OPERATE THE APPLIANCE IF GLASS IS CRACKED OR BROKEN.

CAUTION: THIS APPLIANCE SHOULD BE MAINTAINED AND OPERATED AT ALL TIMES IN ACCORDANCE WITH THESE INSTRUCTIONS.

BURNING WET OR UNSEASONED WOOD WILL CREATE EXCESS SMOKE EMISSIONS, TAR DEPOSITS IN THE STOVE AND CHIMNEY, AND WILL NOT PRODUCE A SATISFACTORY HEAT OUTPUT.

DO NOT BURN BITUMINOUS COAL, PETRO-COKE, OTHER PETROLEUM BASED FUELS OR TREATED WOOD SUCH AS PALLETS. THIS WILL INVALIDATE THE PRODUCT WARRANTY. HOUSEHOLD WASTE MUST NOT BE BURNT ON THIS APPLIANCE.

OVER-FIRING

USING AN EXCESS AMOUNT OF WOOD AND/OR LEAVING THE AIR INTAKE OPEN CAN CAUSE THE STOVE TO OVER-FIRE. THIS CAN CAUSE DAMAGE TO BOTH THE STOVE AND THE SURROUNDING WALLS.

MAINTENANCE AND SERVICING

Periods Of Prolonged Non-Use

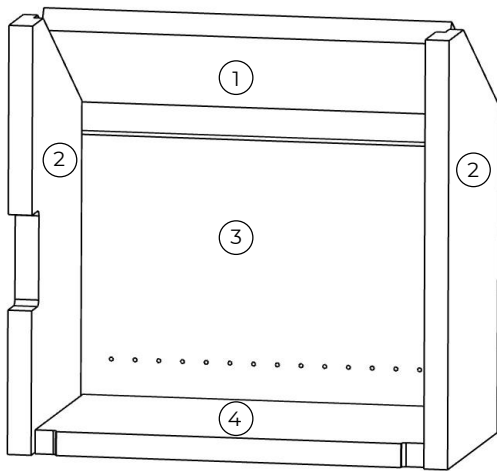
If the stove is to be left unused for a prolonged period, then it should be given a thorough clean to remove ash and unburned fuel residues. To enable a good flow of air through the appliance to reduce condensation and subsequent damage, leave the air controls fully open. If the appliance has been unused for a long period, such as during the spring and summer months, a competent person should check the chimney for potential obstructions before lighting the stove e.g. Have the chimney swept before the start of the heating season.

Baffle Brick

The baffle is located in the upper part of the stove and this should be removed and cleaned on a regular basis. This prevents any build-up of soot or fly ash that could lead to blocked flue ways and dangerous fume emission. If the baffle is removed the chimney/flue way can be swept through the appliance.

Firebricks

In normal use, these can last for many years. It is possible however, to crack them if logs are continually jammed against them or if they are frequently struck with a poker. Check periodically for seriously cracked bricks, which can be replaced with new, available from your dealer.



To remove the bricks -

1. Baffle brick (1) - Slide over to the LH side of the body and drop down into the firebox and remove.
2. Base brick (4) - Lift base brick out of firebox and remove. (Ensure side bricks are supported).
3. Side brick (2) - Pull base of the LH side brick in towards the centre of the firebox and remove. Repeat with RH side brick.
4. Rear brick (3) - Bring RH side in towards the centre of the firebox and remove.

To replace the bricks work in reverse order as above.

Glass Panel (see diagram below)

Printed glass should not be cleaned using cleaners high in alkaline or acidic content. Clean the glass panel when cool with a propriety glass cleaner by applying the cleaner to a cloth. Do not apply directly to the glass as this could cause run of which could soak into the rope seals around the edge of the glass.

Highly abrasive substances should be avoided as these can scratch the glass and make subsequent cleaning more difficult. Wet logs on heated glass, a badly aimed poker or heavy slamming of the doors could crack the glass panels, the glass will not fracture from heat.

Should you need to replace a glass panel please ensure you purchase a new Gasket tape at the same time. Please check periodically that the glass clips and screws have not become loose. They should only be finger tight to allow for the expansion and contraction of the glass.

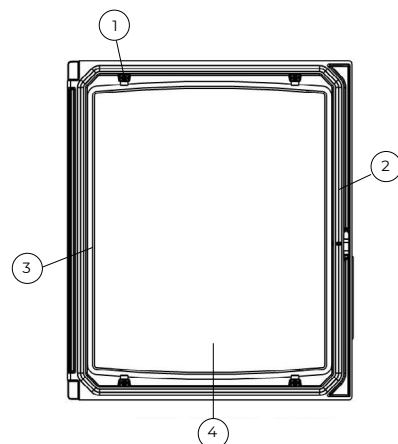
Rope

Check the rope (2) around the door. If rope is becoming detached, use rope glue to reattach it. If the rope is in poor condition, a replacement rope kit may be ordered from the Hunter Stoves Group spares range.

Gasket Tape

The glass gasket tape (3) will have to be replaced when a new piece of glass (4) is fitted as the self-adhesive tape is stuck onto the glass.

Over time you may also find that the gasket tape changes colour. This is due to a reduction in the pigment used in the manufacture of the product and no cause for concern.



Stove Body

The stove is finished with a heat resistant paint and this can be cleaned with a dry microfibre cloth or dry soft brush. Do not clean whilst the stove is hot. At no point should any water based, or other cleaning products be used on the stove. The finish can be renovated with Hunter Stoves paint.

Chimney and Flue Ways

It is important that the chimney, flue ways and any connecting flue pipe are swept regularly.

This should only be carried out by an experienced chimney sweep with a trusted trade rating.

This means at least once a year for smokeless fuels and at least twice a year for wood and other fuels.

The brick baffle will need to be removed from the stove in order to sweep the chimney.

If it is not possible to sweep all parts of the chimney through the appliance, ensure there is adequate access to cleaning doors.

If the stove is fitted in place of an open fire, then the chimney should be swept one month after installation to clear any soot falls which may have occurred due to the difference in combustion between the stove and the open fire.

Annual Service

Hunter Stoves Group recommend that this appliance be serviced annually, preferably prior to the start of the heating season, thus avoiding any delay in receiving replacement components, should you need them. If you feel unable to undertake this task, Hunter Stoves recommend that you contact the installation engineer for advice.

Remove all the internal components: Log retainer, bricks, ignition air bar & baffle brick. Clean them with a soft brush carefully and inspect them for damage.

Sweep the chimney/flue system if necessary.

Clean down the internal surfaces of the appliance using a scraper or wire brush. Inspect these surfaces for damage/corrosion. If corrosion or damage is found, we advise that you consult with your installer about rectification/repair.

Brush out or vacuum the inside of the appliance and re-fit the internal components.

Inspect the glass and glass fibretape. Clean the glass with a non-abrasive cleaner if required. If the glass fibretape is torn or damaged, we recommend that it is replaced to ensure that no products of combustion enters the room when the appliance is used.

Painted Finish – The finish can be renovated with Hunter Stoves paint. available through your closest Hunter Stoves outlet.

**All spare parts can be through you closest Hunter Stoves outlet
See www.hunterstoves.com.au for your closest outlet**

IMPORTANT INFORMATION

IMPORTANT NOTES

General

Before lighting the stove check with the installer that the installation work and commissioning checks described above have been carried out correctly and that the chimney has been swept clean, is sound and free from any obstructions. As part of the stoves' commissioning and handover, the installer should have shown you how to operate the stove correctly.

Carbon Monoxide (CO) Alarms

Hunter Stoves recommend a carbon monoxide (CO) alarm be installed in the same room as the appliance. The use of such an alarm is not considered a substitute for regular maintenance or servicing of the appliance and flue system.

Air Controls

See how to use Air Controls on page 15.

Fire guards

Always use a fire-guard in the presence of children, the elderly or the infirm.

Extractor Fan

Fitting a stove in a room which also contains an extractor fan and/or cooker hood should be avoided where possible. If this is unavoidable, the suitability of the space for fitting this appliance must be decided at the discretion of a qualified installer, and a flue draught interference test must be performed.

Recommended Fuels

Hunter Stoves Group recommend that only hardwood logs with a moisture content of less than 18% should be burnt on this appliance.

Burning wet or unseasoned wood will create excess smoke emissions, tar deposits in the stove and chimney and will not produce a satisfactory heat output.

WARNING - DO NOT BURN BITUMINOUS COAL, PETRO-COKE, OTHER PETROLEUM BASED FUELS OR TREATED WOOD SUCH AS PALLETS AS THIS WILL INVALIDATE THE PRODUCT WARRANTY. HOUSEHOLD WASTE MUST NOT BE BURNT ON THIS APPLIANCE.

WARNING NOTE

Properly installed and operated, this appliance will not emit fumes. Occasional fumes from de-ashing and refuelling may occur. Persistent fume emission must not be tolerated.

This appliance should not be operated with the door open.

If fume emission persists, then the following immediate actions should be taken:

- **Open doors and windows to ventilate the room**
- **Let the fire go out or safely remove and dispose of fuel from the appliance**
- **Check for flue/chimney blockages and clean if required**
- **Do not attempt to re-light the fire until the cause of the fume emission has been identified and corrected**

If necessary, seek expert advice.

Aerosols

Do not use an aerosol spray on or near the stove when it is alight.

Operating The Stove

Warning! – This Appliance will be hot when in operation and due care should be taken.

We advise that suitable gloves, or the operating tool is used when operating the air control, and when opening the door.

Ventilation

It is essential that the stove has an adequate air supply for combustion and ventilation. Requirements can be found by checking Building Regulations Approved Document J.

Do not obstruct the ventilation required for the safe use of this appliance.

In The Event Of A Chimney Fire

- Raise the alarm
- Call the Fire Brigade
- Close appliance air controls
- Move furniture, ornaments etc. away
- Place a fire-guard in front of stove
- Check the chimney breast for signs of excessive heat.

If the wall is becoming excessively hot, move furniture away.

Ensure the Fire Brigade can gain access to your roof space in order to check for fire spread.

TROUBLESHOOTING

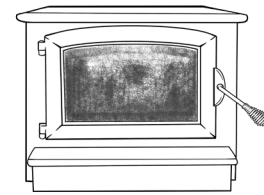
Smoke

This can happen for a variety of reasons e.g cold air trapped in chimney/flue. As cold air is denser, this causes smoke to be forced back down the chimney. We recommend trying to heat the chimney before lighting for example, placing a fire-lighter on top of the kindling. Ensure wood has a moisture content of less than 18% as this can cause excess smoke. Also check the type of wood as softwood produces a lot more smoke.



Glass

If your glass is blackening this can be due to incorrect use of air controls (see instructions). Alternatively, poor quality fuel which has a high moisture content can also be a cause. When the glass has a white shadow (or crazing) on the inside then this can be caused due to over-firing, too much primary air or a vacuum in the room.



Operation Of Fire

There are varying reasons for problems with your stove however, this could be due to a low or high flue draught in which case you need to speak to your installer. Correct use of the air controls (please refer to instructions). Quality and moisture content of fuel. Check that chimney is not blocked or that nearby buildings or trees affect the wind around it.

Weather Conditions

Varying weather can have an impact on the way the stove burns, especially the wind. An anti-down draught cowl might need to be fitted (speak to a specialist) or a flue damper may also be of help.

Mist and fog may also have an impact on the chimney draught and you will need to change the settings you are using on the stove.

Appliance Body

Paint Curing

The stove paint curing process takes place at room temperature and the surface coating is virtually free from fumes and odours. When being put into operation for the first time we would recommend that windows and doors are opened for a short time to provide ventilation.

If the surface of the appliance turns grey or the paint starts to flake or peel then this is caused by over-firing.

Noise

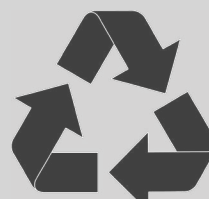
When the appliance body heats up and cools down it may make some clicking noises. This is due to the large temperature differences and is not a problem with the appliance.

Fire Goes Out After A Short Time

- Check the flue draught of the stove is not too strong or too low.
- Is the air vent blocked?
- Check use of air controls (please refer to these instructions).
- Ensure that the amount of kindling used is enough to light the added fuel.
- Try heating the flue/chimney up first to ensure air pressure is not allowing the flue to operate correctly.

PACKAGING

All our packaging both for our stoves and spares is recyclable. For information detailing where it can be disposed check with your local council.



If any further help is needed then please refer to the Help section on our website - www.hunterstoves.com.au or contact your closest dealer.

WARRANTY

Hunter Stoves Group Ltd Extended 10 year Warranty

To qualify for our 10 Year Warranty option, you need to:

1. Register your purchase online at www.hunterstoves.com.au
2. Retain your proof of purchase.

10 Year Warranty Inclusions

Years 1 & 2 - Coverage: PARTS & LABOUR

- Firebox Assembly: Includes firebox & all internal baffle components & air channels, Log Retainers, Accessories incl Plinths, & Bench, Air Control Assembly. Door Assembly (excl glass)
Door Glass & Bricks - Covered only if broken from thermal shock.
- Exclusions: *Paint, Gasketing*

Year 3 - Coverage: PARTS

- Firebox Assembly: Includes firebox & all internal baffle components & air channels, Air Control Assembly.
Door assembly (excl glass) Door Glass & Bricks - Covered only if broken from thermal shock.
- Exclusions: *Paint, Gasketing & Log Retainers*

Years 4 - 10 Coverage: PARTS

- Firebox Assembly
- Exclusions: *Paint, Gasketing, Log Retainers, Accessories, internal Baffle Components & Air Channels, Air Control Assembly, Door Assembly, Glass & Bricks.*

Warranty Conditions

For the 10-year warranty to be valid and to remain in force throughout the warranty period the following must have been carried out:

1. The appliance must have been installed by an appropriately qualified service person or installer in accordance with the manufacturer's instructions and in compliance of any relevant national or local building codes.
2. The appliance will need to be registered within two months of purchase and the commissioning and installation documentation completed (these need to be kept by the end user).
3. The appliance must be serviced within 12 months of the installation date for the second year of the standard warranty to be valid, and within every 12-month anniversary thereafter to maintain the validity and coverage of any extended warranty. For this purpose, the installation and user instructions, supplied with the appliance, makes a provision for receipts and annual services to be recorded. This is needed in the event of a claim during the warranty period.
4. Only genuine Hunter Stoves spare parts or consumables can be used in the servicing and maintenance of the appliance during any standard or extended warranty period. These can be sourced from your authorised supplier directly.
5. Any problems or issues giving rise to any claim under the standard or extended warranty must be submitted to the authorised Hunter Stoves dealer from whom you originally purchased the appliance. Dragon Wholesaling along with Hunter Stoves Group will then offer appropriate support and help through your original authorised supplier to solve any issues.
6. The standard or extended warranty option is not transferable. It is solely for the benefit of the original purchaser of the appliance. For this purpose, please retain the proof of purchase.

The 10-Year Warranty provided by Hunter Stoves excludes coverage for injury, loss of use, or damage resulting from accidents, negligence, misuse, improper installation, alteration of factory settings, lack of regular maintenance, damage during transport, acts of God, or any modifications to the unit. It also does not cover damage from normal wear and tear such as paint discoloration, chipping, worn or torn gasketing, or cracked firebrick. Use of fuels other than dry hardwood, including over-firing where steel components glow red, will void the warranty.

Paint and Surface Coverings

The paint or surface covering of the appliance will be covered (for 1 years after installation) provided the warranty conditions are met. However, damage due to the following events will not be covered:

1. Damage to the paint surface caused by the appliance being stored in a damp and cold environment is not covered under warranty. Please be aware that any moisture within the room where the stove is installed e.g. through clothes drying, can be a cause of paint issues.
2. In the course of the initial firings of the appliance the paint or enamel surface may change colour. This is normal and as such is therefore not covered under warranty.
3. Damaged caused by over firing, resulting in cracking, bubbling or discolouration to the paint or enamelled surface finish is not covered under warranty.

Warranty Limitations

1. Damage to the appliance due to specific local conditions caused by draft or chimney defects.
2. Damage resulting from installation and use where installation is not in accordance with the manufacturer's instructions or local building and/or safety regulations.
3. Damage or premature wear caused by burning inappropriate fuels such as Bituminous coal, "Petro-Coke" or any other Petroleum based coals. Fuels burnt other than hardwood are not covered by the warranty.
4. Damage caused by burning material with high creosote content or any other painted/treated timber.
5. Consequential loss to associated non-Hunter Stoves Group products is not covered under the warranty.
6. Consequential loss relating to decorations, soft furnishings or other household assets is not covered under the warranty.
7. Cost associated with the removal and re-installation of an appliance subject to a warranty claim.

Dragon Wholesaling Pty Ltd & Hunter Stoves Group total liability will only extend to the total purchase price paid for the goods in any warranty claim. We reserve the right to replace, repair or refund to value of goods purchased.

The Hunter Stoves Group extended warranty option does not affect your statutory rights.



Distributed in Australia by Dragon Wholesaling Pty Ltd
www.hunterstoves.com.au Email: info@hunterstoves.com.au

Hunter Stoves Ltd (UK)
8 Emperor Way, Exeter Business Park, Exeter, Devon, EX1 3QS



hunterstoves
GROUP

Distributed in Australia by Dragon Wholesaling Pty Ltd
www.hunterstoves.com.au Email: info@hunterstoves.com.au

Hunter Stoves Ltd (UK)
8 Emperor Way, Exeter Business Park, Exeter, Devon, EX1 3QS

Hunter Stoves reserve the right to change dimensions and procedures described in these instructions at anytime without special notice.