



3615, 4415 Black Glass Firebacks

(3615 – 96100940) (4415 – 96100970)

Packing List

- Rear Glass Fireback(s)
- (2) Side Glass Firebacks
- (4) "L" Spacers
- (4) Spacers

Installation

GLASS FIREBACK WARNINGS

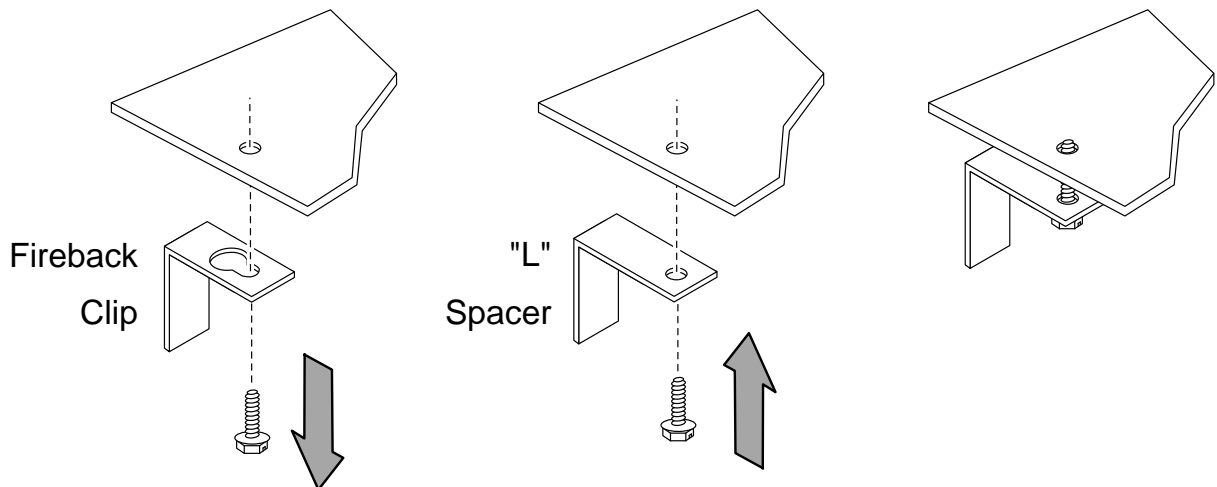
HANDLING THE FIREBACKS: The glass firebacks are fragile – especially the edges. Take care to prevent contacting/scraping the glass against metal or rough surfaces. You may wish to lay out a blanket during installation in case you need to set the firebacks down.

We recommend the use of gloves and safety glasses during the installation of the glass firebacks.

CLEANING

These firebacks require periodic cleaning. Do not use ammonia-based cleaners (this may cloud the glass). We recommend ammonia-free glass cleaner (i.e. vinegar and water) to clean the fireback.

- 1 Access the firebox (see Owner's Manual).
- 2 Remove the 2 rear **and** 2 side fireback clips from the firebox ceiling (1/4" nutdriver). Replace the rear clips with the "L" spacers included with this kit (use the original screws). Do not install the side spacers at this time (keep the screws for installation in a later step). Leave the screws loose, they will be tightened in a later step.

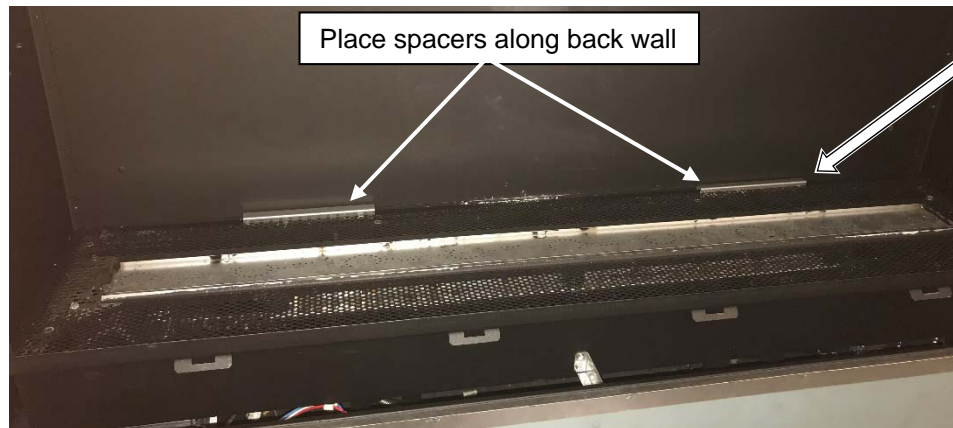




3615, 4415 Black Glass Firebacks

(3615 – 96100940) (4415 – 96100970)

- 3 Place two spacers along the back wall of the firebox. Place them so they are evenly spaced along the back wall.

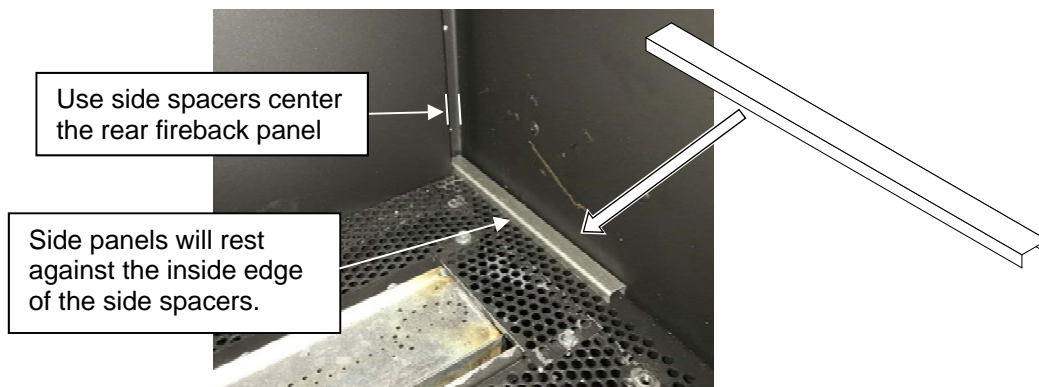


- 4 Install the rear fireback(s). Insert one end of the fireback through the firebox opening. Move it all the way to the side of the firebox and carefully move it deeper into the firebox until the opposite end of the fireback clears the opening. Once the entire fireback is in the firebox, maneuver the fireback parallel to the back of the firebox.

WARNING: Make sure not to damage the edges of the glass as you maneuver it through the fireplace opening.



- 5 When the bottom edge of the glass fireback is in contact with the front edge of the rear spacers (put in place in step 3) tip the glass up into the vertical position until it rests against the glass spacers (installed in step 2).
- 6 Place a spacer all the way to the rear of the firebox, on either side of the glass. This will properly center the rear glass in the firebox.

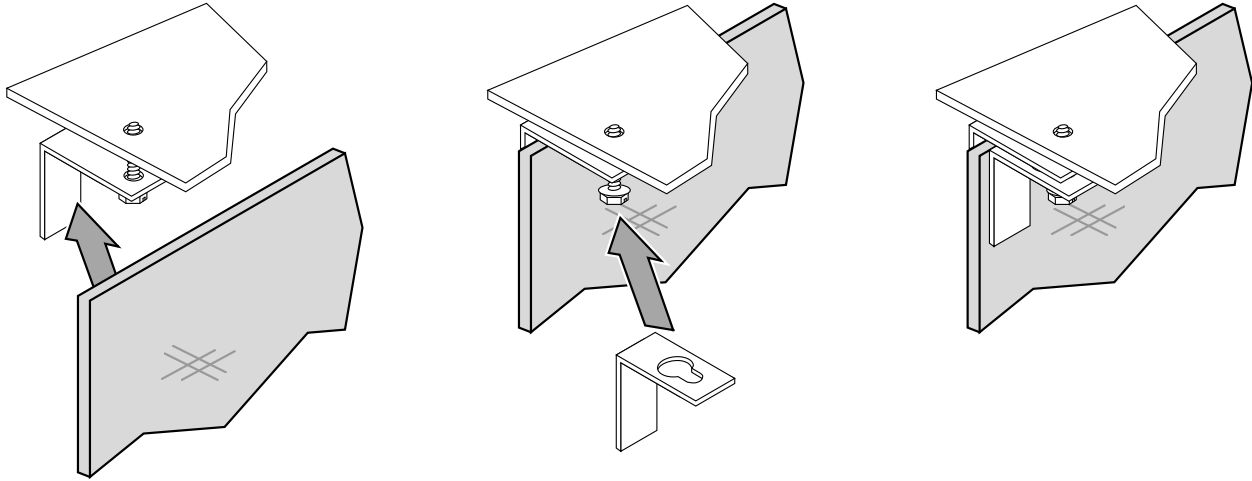




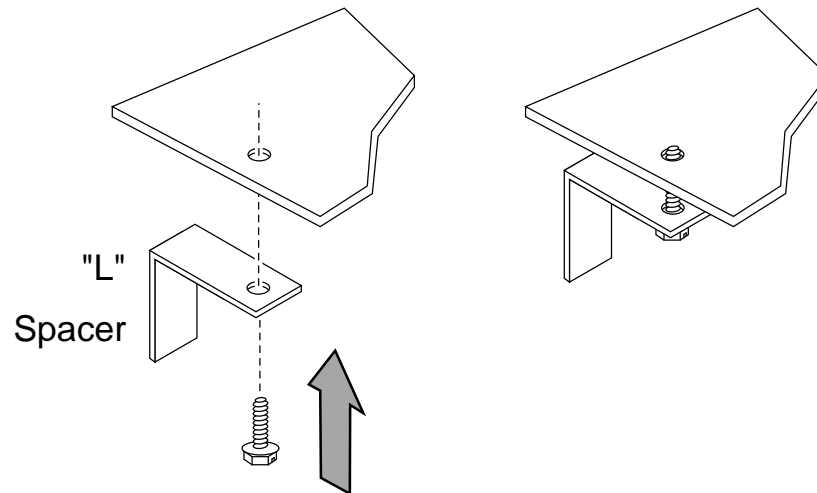
3615, 4415 Black Glass Firebacks

(3615 – 96100940) (4415 – 96100970)

- 7 Install a fireback clip (removed in step 2) over the screw. Slide the clip against the glass (the glass will be sandwiched between the clip and "L" spacer). Tighten the screws to lock the glass in place (see below).



- 8 Install the two side "L" spacers included with this kit using the screws removed in step 2 (1/4" nutdriver). Leave the screws loose, they will be tightened in a later step.



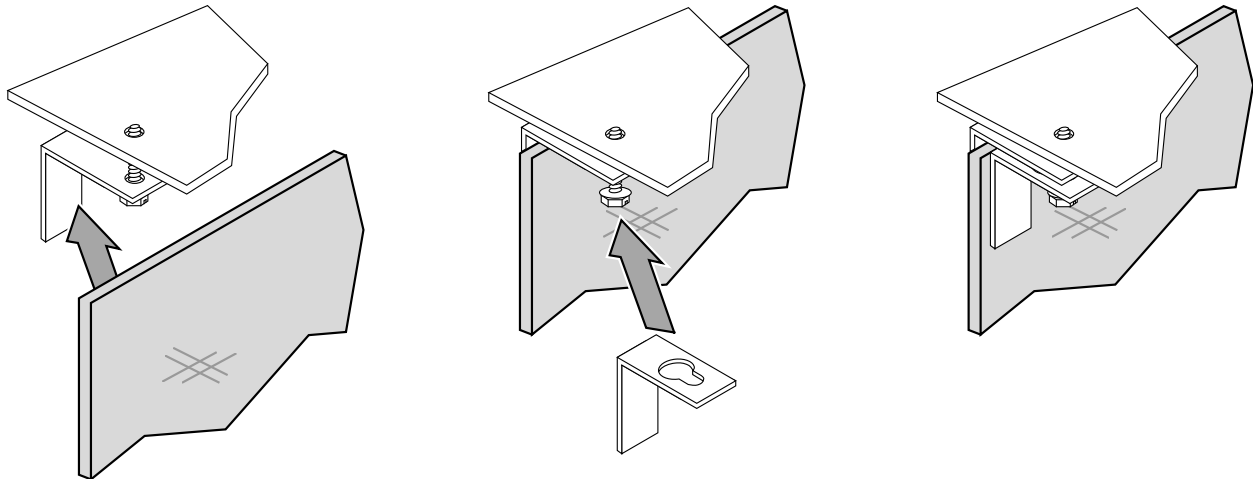


TRAVIS INDUSTRIES
HOUSE OF FIRE

3615, 4415 Black Glass Firebacks

(3615 – 96100940) (4415 – 96100970)

- 9 Install one side fireback. Place it into position against the bottom and top spacers. Install a fireback clip (removed in step 8) over the screw. Slide the clip against the glass (the glass will be sandwiched between the clip and "L" spacer). Tighten the screws to lock the glass in place (see below). Repeat this step for the opposite side.



- 10 Restore the fireplace to the correct configuration.