

CLAIRVAUX INSTALLATION & USER MANUAL



CHEMINÉES
PHILIPPE
A U S T R A L I A

*“We no longer build fireplaces for physical warmth,
we build them for the warmth of the soul, we build
them to dream by, to hope by, to home by”
- Edna Ferber 1885-1968*

We thank and appreciate your trust in welcoming our Cheminées Philippe Clairvaux into your space. Living with a Cheminées Philippe is truly a most satisfying and memorably rewarding experience. You have now joined the family of thousands of proud owners of the most beautifully hand crafted fireplaces in the world.

For over six decades Cheminées Philippe have been synonymously known for their quality French design appeal and admirably, their hand made technique. Manufactured in their cast iron foundry located in the Pas-de-Calais region of France, they adhere to strict European requirements, as well as being tested and certified to Australian emissions, efficiency and safety standards.

Please take a moment to read over this manual, including our operations and maintenance guide to ensure you get the best performance and enjoyment from your new fireplace.

We wish you many wonderful years of fireside enjoyment.

Warmest regards,

*Rick Wignell
Director of Cheminées Philippe Australia*

CHEMINÉES **PHILIPPE** POÊLES
CUISINES



1. PREFACE	
1.1 NOTICE	04
1.2 GENERAL SAFETY INFORMATION	05
1.3 PRE-INSTALLATION GUIDELINES	06
1.4 GENERAL FLUE REQUIREMENTS	07
1.5 SUITABLE BASE & HEARTH MATERIALS	08
2. UNIT DIMENSIONS & SPECIFICATIONS	
2.1 CHEMINÉES PHILIPPE CLAIRVAUX	10
3. FREESTANDING	
3.1 STEP BY STEP INSTALL GUIDE	12
3.2 BASE & HEARTH DIMENSIONS	13
3.3 FREESTANDING CLEARANCES	14
3.4 FLUE COMPONENTS OVERVIEW	15
3.5 FLUE SYSTEM CONFIGURATIONS	16
4. MECHANISMS & UNIT ASSEMBLY	
4.1 MECHANISM GUIDE	18
4.2 BAFFLE PLATE ASSEMBLY	19
5. OPERATION	
5.1 BEFORE FIRST IGNITION	22
5.2 RECOMMENDED FIRE WOOD	23
5.3 HOW TO LIGHT & BURN SAFELY	24 & 25
5.4 WARNINGS LABELS	26
6. MAINTENANCE	
6.1 SERVICING GUIDE	28
6.2 TROUBLE SHOOTING	29
6.3 SPARE PARTS	30
7. WARRANTY	
7.1 WARRANTY POLICY & EXTENDED WARRANTY	32
7.2 INSTALLER CHECKLIST FORM	33

DOCUMENT REVISION 02

This document is valid for Australia & New Zealand as of November 27th 2022 for the installation, operation and maintenance of the *Cheminées Philippe Clairvaux* wood fireplace.

DISCLAIMER

Cheminées Philippe Australia bears no liability for installations that do not meet the criteria outlined in this manual, alongside the requirements of Australian & New Zealand Standards AS/NZS 2918:2018. The installation techniques, handling and use of the product are beyond our control. Therefore, *Cheminées Philippe Australia* assumes no responsibility for loss, damage or expense resulting from improper installation, operation or misuse. In line with our commitment for continuous improvement, technical parameters are subject to change and we reserve the right to alter the contents of this manual at any time. For the latest version of this manual please visit, www.chemphilaust.com.au

MUST READ PRIOR TO COMMENCING

Please read through this manual carefully prior to installing or using this fireplace. Each of our fireplaces should be installed in accordance with AS/NZS 2918:2018, the appropriate requirements of the relevant building codes and this manual. All units **MUST** be installed by a fully licensed and qualified trades professional who is registered and/or licensed in mechanical services with a class also restricted to solid fuel heaters (or equivalent in selected states and territories).

WARRANTY: The warranty of this fireplace is only valid if the unit has been installed as per the above requirements and the installer checklist has been completed (page 33 of this manual). An extended warranty period can also be granted, please see page 32 of this manual for further details on how to apply for an extended warranty.

CUSTOM INSTALLATIONS: Contact us for approval of any deviation from this document prior to proceeding. In the event that an installation is undertaken without following this installation manual or without written approval by *Cheminées Philippe Australia*, then the sole responsibility of any adverse outcomes lies with the installer and the unit will be null and void of all warranties.

WARNING: THE APPLIANCE AND FLUE SYSTEM SHOULD BE INSTALLED IN ACCORDANCE WITH AS/NZS 2918:2018 AND THE APPROPRIATE REQUIREMENTS OF THE RELEVANT BUILDING CODE OR CODES.

WARNING: APPLIANCES INSTALLED IN ACCORDANCE WITH AS/NZS 2918:2018 SHOULD CONFORM TO THE REQUIREMENTS OF AS/NZS 4013 AND AS/NZS 4012 WHERE REQUIRED BY THE REGULATORY AUTHORITY, THAT IS. THE APPLIANCE SHOULD BE IDENTIFIABLE BY A CONFORMANCE PLATE WITH THE MARKING 'TESTED TO AS/NZS 4013 AND AS/NZS 4012' AS SPECIFIED IN AS/NZS 4012.

ANY MODIFICATION OF THE APPLIANCE THAT HAS NOT BEEN APPROVED IN WRITING BY THE TESTING AUTHORITY IS CONSIDERED TO BE IN BREACH OF THE APPROVAL GRANTED FOR CONFORMANCE TO AS/NZS 4013.

CAUTION: MIXING OF APPLIANCE OR FLUE SYSTEM COMPONENTS FROM DIFFERENT SOURCES OR MODIFYING THE DIMENSIONAL SPECIFICATION OF COMPONENTS MAY RESULT IN HAZARDOUS CONDITIONS. WHERE SUCH ACTION IS CONSIDERED THE MANUFACTURER SHOULD BE CONSULTED IN THE FIRST INSTANCE.

CAUTION: CRACKED AND BROKEN COMPONENTS, FOR EXAMPLE GLASS PANELS, CAST IRON OR CERAMIC TILES, MAY RENDER THE INSTALLATION UNSAFE.

PREPARATION OF THE FIREPLACE

- » Before installing this fireplace thoroughly assess the packaging and it's contents (including the unit, flue components, grates, baffle plates, ceiling ring, etc) to ensure all items are accounted for and that any damage or defects caused by transport/handling are immediately reported to your authorised *Cheminées Philippe* dealer
- » Check the installation site in advance and remove all flammable materials or those which have the potential to be damaged by heat from the area where the fireplace will be installed. All combustible material should be replaced and/or shielded with non-combustible material or maintain a safe clearance as per pages 11-16 of this manual
- » Ensure the correct base underneath the fireplace is used including the minimum size and thickness, refer to page 8 for a list of recommended base materials. Check that the floor is capable of safely bearing the weight and if necessary put in a weight distribution plate or take other necessary measures
- » Due to the weight of each fireplace care must be taken when maneuvering the unit. We strongly recommend mechanical equipment, as well as multiple professionals aiding with moving the unit into it's intended location
- » Familiarise yourself with section 5. *Mechanisms & Unit Assembly* in this manual prior to proceeding. Please also refer to this section for the final fitting of the backplate, baffle plate, ash retainer and grates
- » Do **NOT** use combustible material (including Gyprock Fyrecheck OR a timber frame) within the non-combustible zones
- » **WALL FINISHES:** It is the responsibility of the purchaser and installer to ensure that all finishes (including but not limited to, render, paint, tiles, stone, etc) near the fireplace have the capacity to withstand high temperatures. *Cheminées Philippe Australia* cannot be held liable for thermal expansion cracking, blistering or damage of any finishing materials

BALANCING AIR PRESSURE: TIGHTLY SEALED HOMES, MECHANICAL FANS & DOWNDRAFT

All fireplaces require constant air flow when in use, however due to the tightly sealed nature of certain homes it may prove difficult to achieve a continuous replenishment of fresh air for the fire to burn effectively. Mechanical fans (including range hoods, ceiling fans, return air vents including AC ducts, and overhead extractor fans) which are located within the same space as the fireplace, can also create negative pressure and compromise the operation of the unit.

If this occurs, the introduction of fresh air is recommended. This could take the form of a vent installed on an external wall where the fireplace will be situated. Depending on the installation type, it should either be placed directly inside the inbuilt fireplace cavity or as near to the freestanding fireplace as possible. The surface area of this air intake should be a minimum of 360cm² (for example a vent 400mm x 90mm in size).

Termination of the flue in a high pressure zone such as on the downstream side of a nearby obstruction to airflow. For example; trees, hills, adjacent buildings or parts of the building where the unit is installed may also prove to cause downdraught conditions (AS/NZS 2918:2018 extract), in this case refer to page 29.

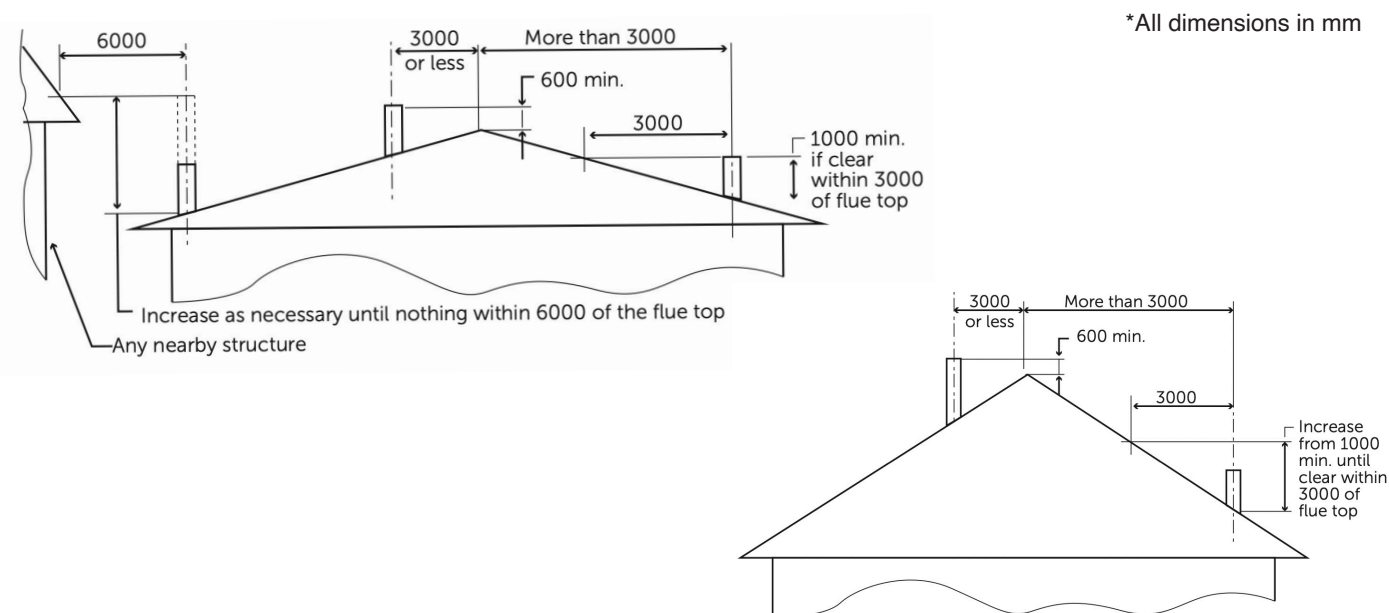
FLUE SYSTEM

- » Only an approved *Cheminées Philippe* flue kit should be installed with this fireplace
- » Mixing flue system components and/or modifying the dimensional specification of the flue and cowl is NOT recommended, unless approved by *Cheminées Philippe Australia*
- » A **minimum 4.5 metres** of flue is required from the top of the fireplace gather to the cowl
- » A minimum 25mm clearance around the triple skin flue is to be maintained from the outer casing to any combustible surface

FLUE BENDS

- » Do **NOT** install bends directly on top of the fireplace gather. A minimum 900mm length of flue must be installed first before the first bend is positioned
- » No more than 4 x 45 degree bends are allowed. The length of flue between two bends must not exceed 1800mm. For each set of bends an extra length of flue should be added. Additional vertical flue maybe required to further assist with adequate draw
- » 90 degree bends are **NOT** to be used

MINIMUM EXTERNAL FLUE HEIGHTS & COWL CLEARANCES - AS PER AS/NZS 2918:2018



RECOMMENDED FIREPLACE BASE

- » A minimum 30mm thick cement sheet or a composition of masonry materials at this thickness or more
- » A *Cheminées Philippe Clairvaux* steel bench with the required hearth beneath it
- » For minimum base size refer to page 13

BASE LEVELING: Depending on the type of base used underneath the fireplace, it may be necessary to level and stabilise the unit by using packers underneath for additional support. We recommend using a strip of lead sheet folded over three times.

RECOMMENDED FIREPLACE HEARTH

- » A minimum 30mm thick cement sheet or a composition of masonry materials at this thickness or more
- » When using the *Cheminées Philippe Clairvaux* steel bench, a minimum 6mm thick cement sheet is required or a composition of masonry materials at this thickness or more
- » For minimum hearth size refer to page 13

IMPORTANT: Please note that *Cheminées Philippe Australia* and *Wignells of Melbourne* can not be held liable for any thermal expansion cracking of the materials listed above OR for any other type of masonry material (including tiles and stone) used for the fireplace base and hearth.

The purchaser should check with the base and hearth supplier that the material being used underneath and in front of the fireplace is suitable for extreme heat. The base and hearth should be a heat resistant material with an allowable surface temperature of 600°C degrees or greater.

All fireplace base and hearth materials mentioned above are recommended for their thermal properties only. It is the responsibility of the purchaser and the installer to ensure that any material used has the structural integrity to evenly support the fireplace weight (refer to page 10) and flue componentry.

- » A *Cheminées Philippe* base shield can be used to help prevent heat transfer from the underside of the unit to the base materials beneath it. This is a preventative measure only and does not guarantee that damage to the base will not occur

DO NOT USE

- » Engineered or composite stone
- » Skamotec board as the fireplace base
- » Thin pre-cast concrete
- » Timber or any combustible material
- » Glass

2. UNIT DIMENSIONS & SPECIFICATIONS

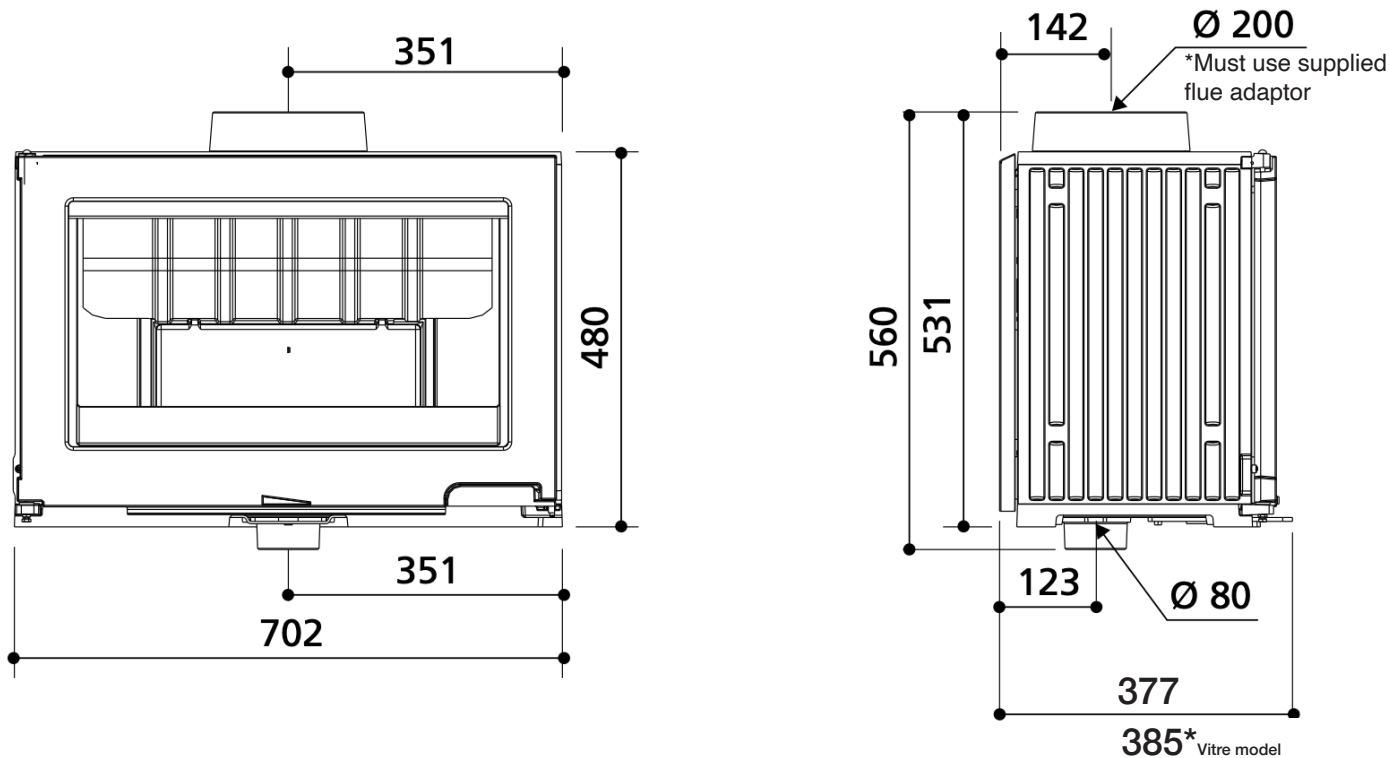
2.1 CHEMINÉES PHILIPPE CLAIRVAUX

10

PLEASE NOTE:

Due to the handmade nature of our fireplaces there maybe a slight variance factor of 1-2mm across all unit dimensions and .5kg in unit weight.

UNIT SPECIFICATIONS & DIMENSIONS



HEATING CAPACITY	Up to 150sqm*
MAXIMUM AVG. HEAT OUTPUT	6.8kW
FIREBOX MATERIAL	Cast Iron
LOG LENGTH	Up to 50cm
FLUE SIZE*	6", 8" & 10"
RECOMMENDED MINIMUM FLUE HEIGHT	4.5m Metres (From top of spigot)
FIREBOX WEIGHT	152kg
OVERALL AVG. EFFICIENCY	61%
PARTICULATE EMISSIONS FACTOR	1.5g/kg
TEST REPORTS	ASFT23071 ASFT20082-1
CERTIFICATE OF COMPLIANCE	#ASFT20C066

*Heating output varies depending upon ceiling height, fuel used, building insulation, geographical zone and atmospheric conditions. This unit has been tested and complies with Australian & New Zealand standards AS/NZS 4012 (2014), AS/NZS 4013 (2014) & AS/NZS2918 (2018), and is recommended to be used with hardwood only.

3. FREESTANDING	
3.1 STEP BY STEP INSTALL GUIDE	12
3.2 BASE & HEARTH DIMENSIONS	13
3.3 FREESTANDING CLEARANCES	14
3.4 FLUE COMPONENTS OVERVIEW	15
3.5 FLUE SYSTEM CONFIGURATIONS	16

PLEASE NOTE:

All diagrams in this manual are for illustration purposes only, DO NOT scale from any of these diagrams. All measurements are in millimetres unless otherwise stated.

STEP 1: INSPECT THE FIREPLACE & FLUE PENETRATION THEN LAY BASE & HEARTH

- » Inspect the area to ensure the fireplace and flue, including clearances, base and hearth, will be installed safely and conform to Australian & New Zealand Standards AS/NZS 2918:2018 and the guides in this manual relative to your type of installation
- » Lay the base and hearth, refer to pages 8 & 13 for minimum sizes and requirements
- » Additional reinforcement may need to be installed in order to support the weight as outlined on page 8

STEP 2: INSTALL WALL PROTECTION

- » If the wall materials are combustible and do not fall within the minimum safety clearances as listed on page 14, then additional wall protection must be installed
- » Protection can include hebel power panels. For additional information refer to AS/NZS 2918:2018
- » In the event that the rear base/hearth does not form an abutment with the rear wall, ensure the wall protection extends from the floor to the recommended minimum height requirement

STEP 3: PUT UNIT INTO POSITION

- » Due to the weight of this fireplace please take care when putting the unit into position

STEP 4: INSTALL THE STARTING COLLAR & FLUE

- » The flue adaptor must be fitted into the cast iron collar on top of the firebox
- » When installing the inner 6" active flue, ensure the flue is installed crimped end down into the flue adaptor
- » Secure the flue to the adaptor using 3 stainless steel rivets evenly spaced
- » All stainless steel inner flues must be joined using stainless steel pop rivets and must be installed crimp end DOWN
- » All second and third outer casings must be installed crimp end UP
- » Refer to page 7 for flue requirements and page 15 for flue components and overview

STEP 5: TRIPLE SKIN DROPPER & COWL

- » Install non-combustible board to the ceiling if required (refer to page 14)
- » The triple skin dropper box must be installed to a minimum of 150mm below the ceiling with a 25mm clearance maintained around the outer skin
- » At the termination height of the triple skin flue, the active stainless steel inner must be a maximum of 30mm higher than the middle and outer galvanised casing. The stainless steel skirt is screwed to the crimp of the outer casing. The stainless steel cowl slides into the neck of the skirt and must locate inside the active flue below. No fixing is to be done to the cowl
- » Silicone seal the groove seam on the flues outer skin, between the roof flashing and the cowl to prevent ingress of water
- » Refer to section 4.6 in AS/NZS 2918:2018 for installing flue penetrations
- » Please also use the diagram on page 7 to ensure external flue heights and cowl clearances are maintained

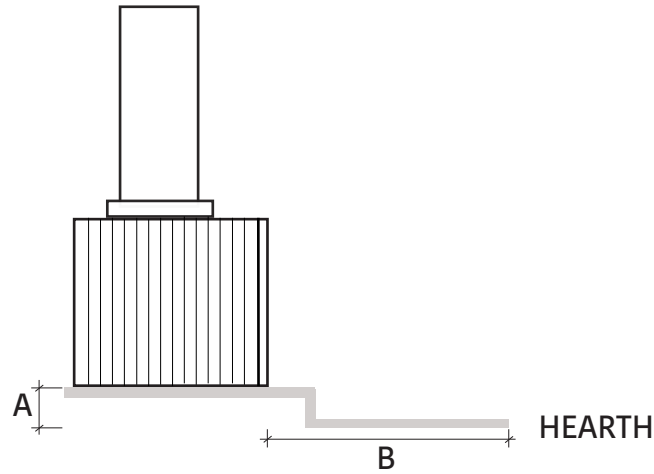
STEP 6: FIT THE BAFFLE PLATE, ASH RETAINER, GRATES & ASH PAN

- » Detailed illustrations and assembly instructions can be viewed on pages 18-19

STEP 7: TEST FIRE DRAW

- » Light a small piece of newspaper inside the firebox to test the draw of the unit and flue
- » If the draw is inadequate please refer to the Trouble Shooting on page 29
- » If the draw is adequate, complete the check list on page 33 and return this as well as this entire

HEARTH REQUIREMENTS



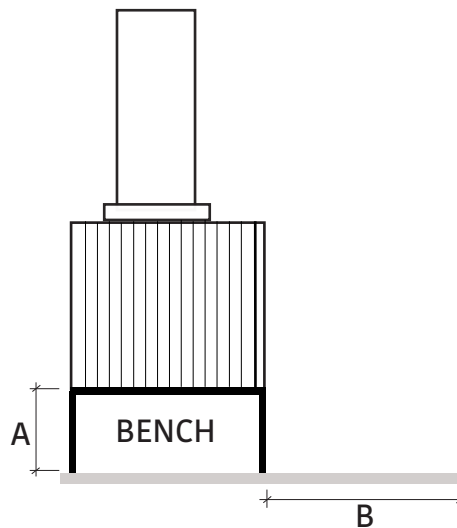
MINIMUM HEIGHT OF UNIT A.30mm \geq

MINIMUM HEARTH DEPTH B.300mm

MINIMUM HEARTH SIZE: WIDTH: 940mm x DEPTH: As per above (B) x THICKNESS: 30mm*
The unit must be placed centrally within the 940mm width hearth.

**When the unit is raised 29mm or less from floor level, a minimum 1000mm hearth is required beyond all four sides of the unit unless forming an abutment with a wall. The base and hearth shall be constructed in accordance with AS/NZS 2918:2018.*

CHEMINÉES PHILIPPE CLAIRVAUX BENCH HEARTH REQUIREMENTS



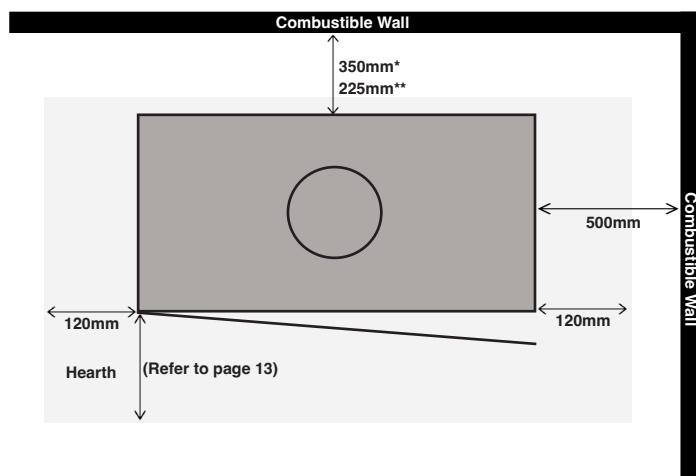
MINIMUM HEIGHT OF UNIT A.335mm \geq

MINIMUM HEARTH DEPTH B.300mm

MINIMUM HEARTH SIZE: WIDTH: 940mm x DEPTH: As per above (B) x THICKNESS: 6mm*
The unit must be placed centrally within the 940mm width hearth.

IMPORTANT: Unless forming an abutment with a wall, the side hearth size **MUST NOT** be altered, please refer to page 14 for minimum sizes.**For a list of recommended materials and thicknesses refer to page 8.

CLEARANCES TO COMBUSTIBLES

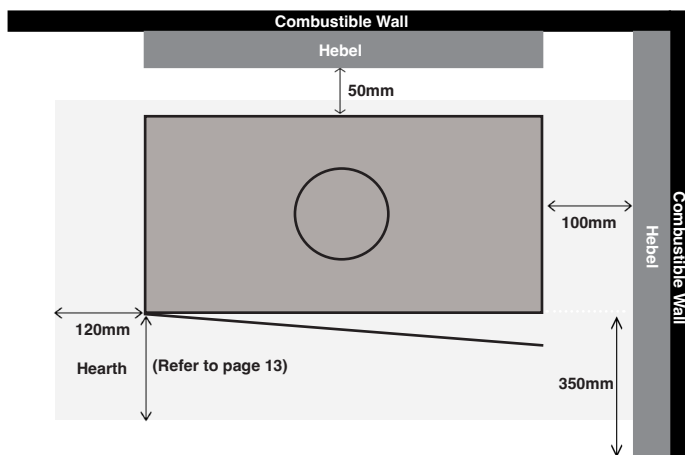


NON-COMBUSTIBLE CEILING:
 For freestanding installations where the ceiling height is less than 1500mm from the top of the unit, a non-combustible board must be used on the ceiling and must extend 1000mm in all directions from the flue outer casing, unless forming an abutment with a wall. This can be made of a minimum 8mm cement sheet or equivalent.

UNIT GLASS CLEARANCE: A minimum 1500mm from the front glass of the unit to any combustible surfaces must be maintained.
COMBUSTIBLE MATERIALS: Mirrors, windows and all other types of glass are also deemed combustible.
HEARTH: All hearth dimensions on this page refer to the unit being raised 30mm or greater above floor level when using the standard hearth requirements, refer to page 13.

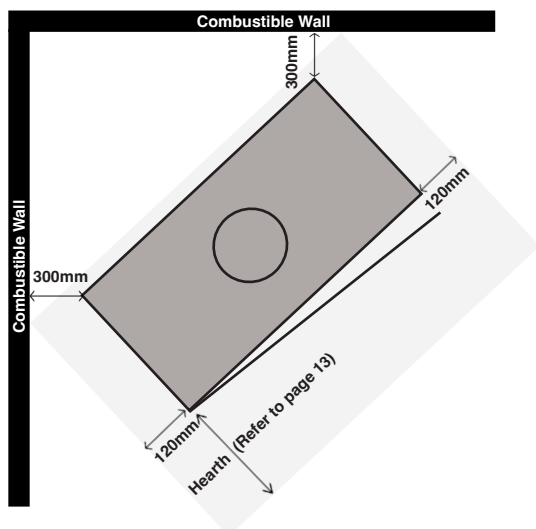
- * Installed with standard solid double skin flue kit
- ** Installed with a solid double skin flue kit with the first length of flue fitted with a 900mm high x 180 degree stainless between the solid casing and active flue

CLEARANCES TO 75MM HEBEL POWER PANELS



Rear wall: A 75mm hebel power panel rear wall should extend to a minimum width of 705mm and height of 1100mm from the base of the unit when using a double skin flue kit or all the way to the ceiling when using a single skin flue kit.
Side wall: The side hebel wall should extend from the rear wall to 350mm in front of the fuel loading door. Minimum height of 850mm from the base of the unit when using a double skin flue kit or all the way to the ceiling when using a single skin flue kit.

CORNER WALL - CLEARANCES TO COMBUSTIBLES



The 300mm rear corner clearance is when the unit is installed with a standard solid double skin flue kit

MINIMUM FREESTANDING FLUE KIT COMPONENTS

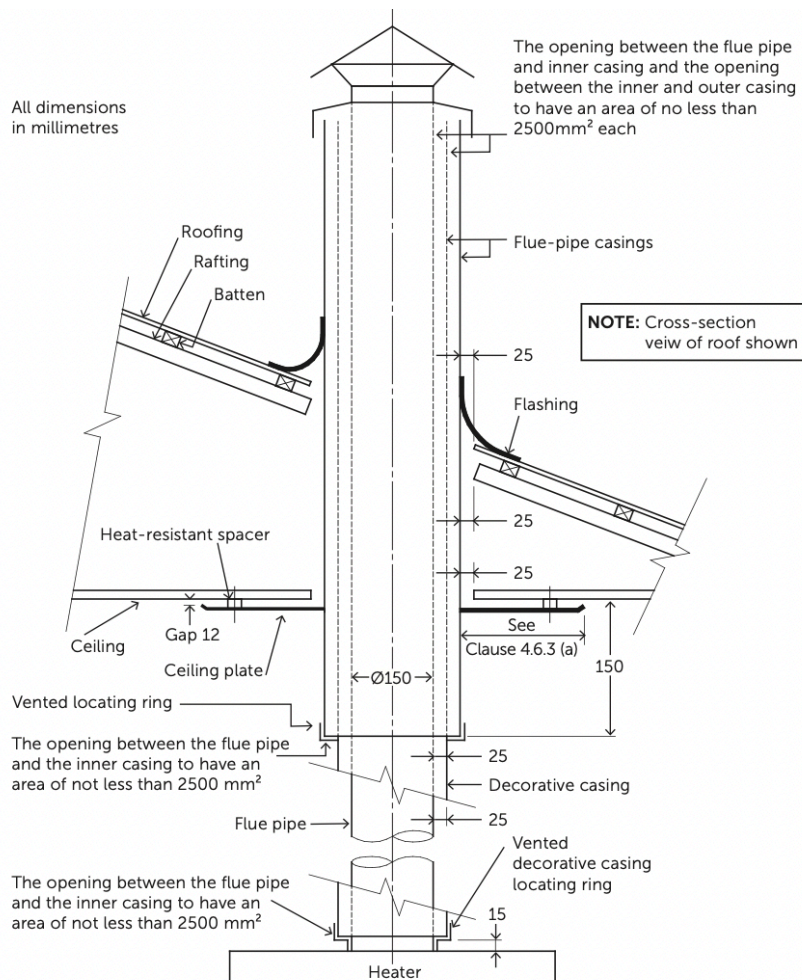
4.5 METRE 6" DOUBLE SKIN FLUE KIT



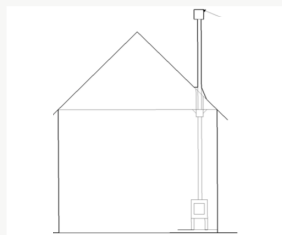
- 1 6" Flue Adaptor* (Painted)
- 2 2 x 6" Active & 8" Solid Decorative Flue (Painted)
- 3 6"-8"-10" Default Triple Skin Flue 900mm* (Painted)
- 4 2 x 6"-8"-10" Triple Skin Flue 900mm*
- 5 8" Split Ring (Painted)
- 6 6"-10" Cover Cone
- 7 6" Anti Down Draught Cowl

*All internal 6" flue must be stainless steel

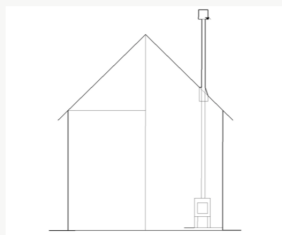
FREESTANDING FLUE KIT OVERVIEW - AS PER AS/NZS 2918:2018



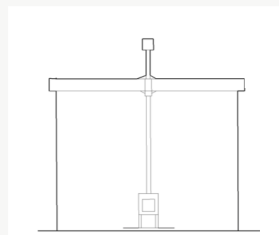
FREESTANDING FLUE CONFIGURATIONS



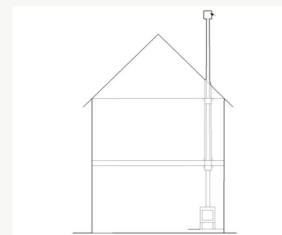
1. Flat ceiling with roof space



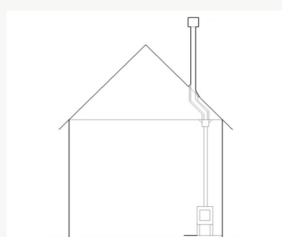
2. Cathedral ceiling



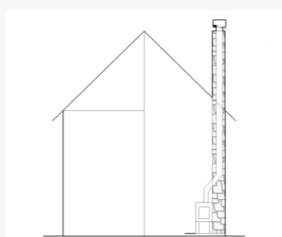
3. Flat ceiling & flat roof



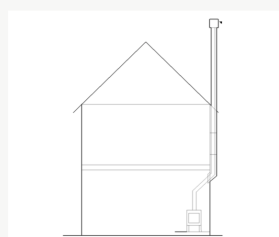
4. Multi floor with flat ceiling and roof space



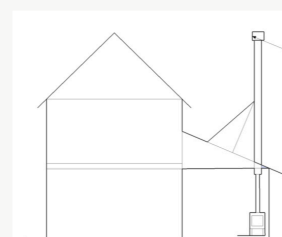
5. Flat ceiling with roof space and offset



6. Freestanding with chimney & offset



7. External wall penetration



8. Double storey with single storey penetration

Some of these flue scenarios may require additional flue components other than those listed on page 15.

4. MECHANISMS & UNIT ASSEMBLY

4.1 PARTS & MECHANISM GUIDE

18

4.2 BAFFLE PLATE ASSEMBLY

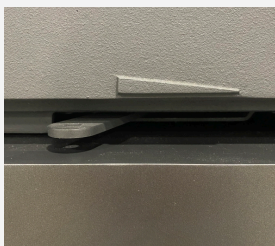
19

LOCATION OF MECHANISMS

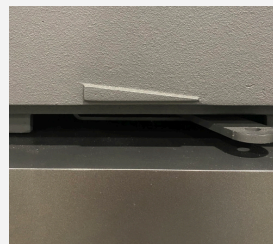


- 1 Swing door with vitro-ceramic glass
- 2 Door handle (use steel rod & glove supplied to operate)
- 3 Removable ash tray (open door to access)
- 4 Primary air adjustment under grate & secondary air adjustment between fire dogs & the glass
- 5 Removable ash tray (open door to access)

PRIMARY AIR & DAMPER CONTROLS (OPEN & CLOSE)

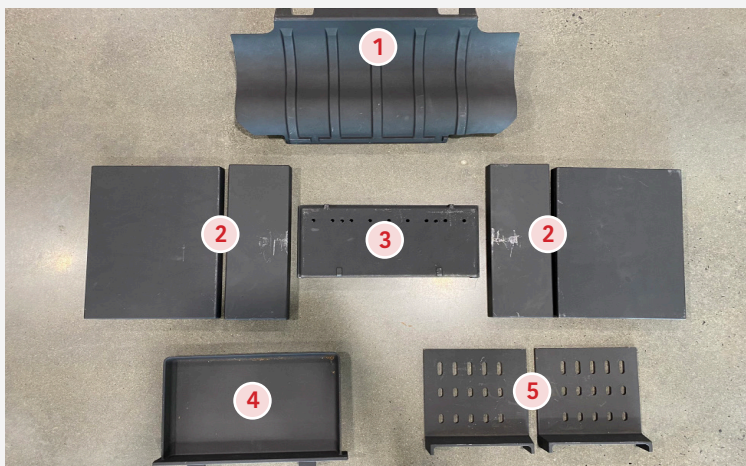


- 1 Primary air open
(Far left position)



- 2 Primary air closed.
(far right position)
Do not operate with
the primary air closed
for prolonged periods
of time.

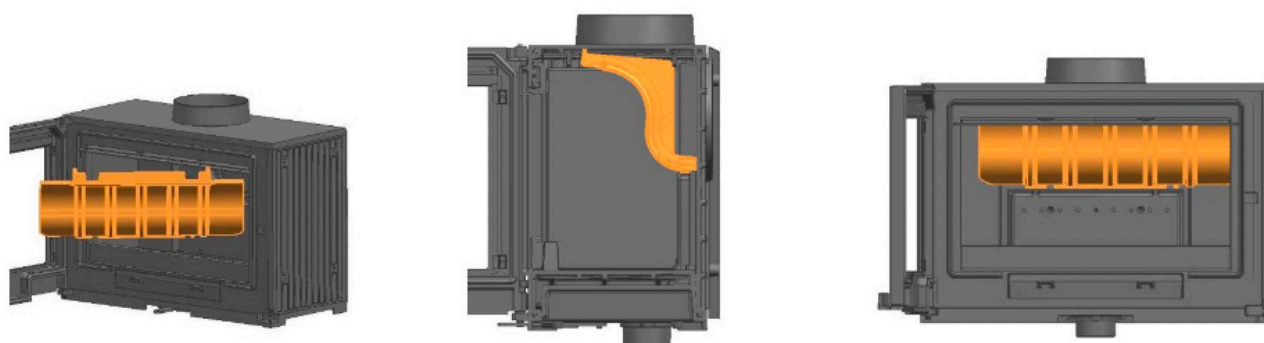
PARTS



- 1 Baffle Plate
- 2 Back & Side Plates
- 3 Rear Air Box
- 4 Ash Pan
- 5 Grates

*For part numbers and the complete parts list refer to page 38

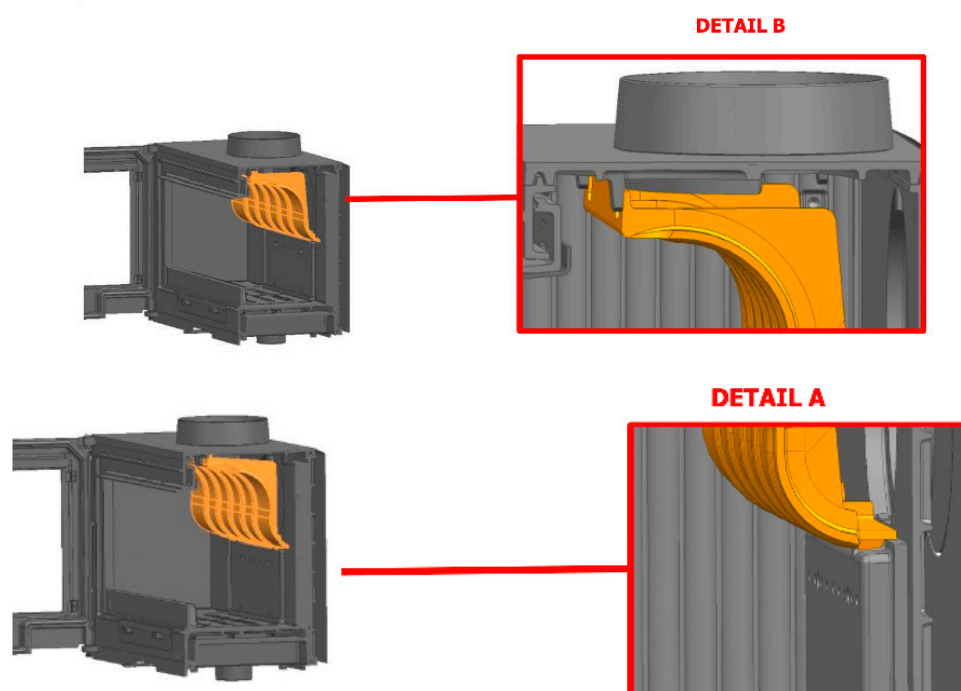
BAFFLE PLATE ASSEMBLY



**THIS ASSEMBLY IS DONE PRIOR TO INSTALLING THE FLUE.
IT CAN ALSO BE REMOVED AND RE-ASSEMBLED FOR FLUE SWEEPING FROM INSIDE OF THE FIREBOX.**

See instructions below:

1. Insert the baffle plate inside the unit with the part numbers facing up
2. Push the baffle against the back plate of the unit
3. Move the baffle slightly to the left
4. Then lower the baffle on top of the air box



IMPORTANT: The baffle MUST sit on the top bracket to be completely fixed into position

5. OPERATION

5.1 BEFORE FIRST IGNITION	22
5.2 RECOMMENDED FIRE WOOD	23
5.3 HOW TO LIGHT & BURN SAFELY	24 & 25
5.4 WARNINGS LABELS	26

BEFORE LIGHTING FOR THE FIRST TIME

- » For brick enclosures four weeks drying time should be respected to ensure that moisture evaporates accordingly
- » Once this period has passed, you can light your first fire, with a moderate amount of wood and a reduced opening of the air intake to limit the intensity of the fire, which will allow a progressive rise in temperature within the insert and other elements, to avoid rapid expansion of the materials and thermal shock
- » The first 10 fires should be small fires to finalise the drying process
- » During initial use there may be an odour (not harmful) from the unit caused by surplus paint curing. It is best to ensure adequate and good ventilation during this process. A few additional fires after the drying time may be required to remove this smell

OPEN & CLOSED DOOR

- » It is NOT recommended to use the unit with the door open
- » Never leave the door open unsupervised

FUEL

- » The heat output from a *Cheminées Philippe* fireplace depends mainly on the fuel used
- » Burn hardwood only, refer to page 23 for recommended fire wood
- » Be prepared! It is impossible for a wood merchant to deliver you guaranteed seasoned dry firewood in the middle of a wet winter. The best way to dry wood is to split it and expose the inner core allowing the sun to dry the wood naturally and store your wood for at least 12 months before use
- » **Tip:** Cold wood does not burn as well, so bring your firewood indoors into the warmth a few days before use
- » Do not burn domestic waste, plastic (eg bottles) or plastic derivatives, rubber, oily products (eg oil soaked rags) etc which not only give off an unpleasant odour but will also pollute the environment and can cause hazardous combustion residues in the fireplace and flue which can be harmful to you, your environment and your fireplace

RECOMMENDED FIRE WOOD

- » A well installed wood heater burning Australian hardwoods with a moisture range of 15% to 20% will burn more clean and effectively, giving off abundant heat to circulate around your home
- » Anything over 20% and your wood heater will not work efficiently. The energy from the fire will be used to reduce moisture in your wood and not produce heat for your house. It will also produce dangerous amounts of soot very quickly
- » Depending on the humidity of the wood, a 50cm log. 6cm diameter weighs around 1kg, 10cm weighs around 3 kg, 15cm weighs around 7 kg
- » For sustained heat, use large numbers of small logs (eg 6 to 8 logs of 6cm in diameter on a good bed of embers).
- » For a longer lasting fire, use larger diameter logs (eg 3 logs of 13 to 15 cm diameter on a medium bed of embers).
- » **NEVER LOAD MORE THAN 14kg OF WOOD**

MOISTURE CONTENT	OUTCOME
BELOW 15%	Wood very dry and may burn too fast
15%-20%	Wood burns efficiently and economically
20%-25%	Wood burns, but less efficiently than drier option
ABOVE 25%	Wood too wet to burn safely and efficiently

AUSTRALIAN HARDWOOD	% HEAT PER UNIT VOL.	SPLITTING	COALS
GREY BOX	100	Difficult	Many
RED IRON BARK	97	Difficult	Excellent
RED BOX	91	Difficult	Excellent
YELLOW BOX	91	Difficult	Excellent
RED GUM	80	Difficult	Excellent
BLUE GUM	80	Fair	Good
STRINGY BARK	72	Good	Good
NARROW LEAF	72	Good	Good
PEPPERMINT	68	Good	Good
PINE	45	Fair	Poor

MATERIALS REQUIRED

- » Fire lighters
- » Kindling
- » Well seasoned, split hardwood
- » A lighter or match sticks

BEFORE STARTING

- » Ensure the primary air inlets are fully open
- » Before loading, remove any larger pieces of debris from the previous fire. It is recommended to leave a bed of ash inside the fireplace and to never clean it out completely during the colder months
- » Avoid overloading the unit, wood should only be burnt on the grate itself

LIGHTING OPTION A: TOP DOWN METHOD (RECOMMENDED FOR BEGINNERS)



STEPS

1. Place two layers of cut hardwood in a cross section on top of the fireplace grate. The first layer should be the largest pieces, positioned front to back. The second pieces should be slightly smaller in size and positioned side to side
2. Then follow the same cross section method for the kindling
3. Firestarters should then be evenly positioned between the two layers of kindling on the back, middle and front of the kindling
4. Once the kindling has caught properly close the door and wait for the first hardwood log to light before adjusting the primary and secondary air vents accordingly

LIGHTING OPTION B: TRADITIONAL METHOD



STEPS

1. Place two layers of kindling in a cross section on top of the fireplace grate. The first layer should be positioned front to back. The second layer the pieces should be positioned side to side
2. Place 2-3 pieces of cut hardwood over the kindling to form a pyramid
3. Firestarters should then be evenly positioned between the two layers of kindling on the back, middle and front
4. Once the kindling and hard wood has caught properly close the door adjust the primary and secondary air vents accordingly

USING YOUR CHEMINÉES PHILIPPE SAFELY & EXTENDING LONGEVITY OF THE UNIT & PARTS

- » To ensure maximum performance for your fireplace, it is necessary to keep a close eye on it. It is recommended that refueling is carried out several times rather than overloading the unit
- » Each time more fuel is added ensure a lively fire burns for a short time, so that condensation, which generally forms when fuel is first placed in the fire is evacuated
- » Always have two pieces of wood burning off each other as one log on its own will struggle to stay alight. Therefore for it is important to establish hot coals and a lazy flame for good heat output
- » Using the fireplace for a long time at a very slow burn rate with vents and damper fully closed is not recommended, especially at the start and end of winter and when the temperature rises as this can cause deposits of soot and tar on the window and in the flue
- » Do not use the fireplace with the door and air inlets entirely open at the same time, as well as having an excessive load of wood. This will produce extremely high temperatures inside of the firebox which is likely to damage the cast iron elements of the unit, the connections and the flue
- » Carefully load fire wood into the unit, do not throw or forcefully pack firewood into the unit when reloading. This has the potential to fracture and damage the grate, back and side plates, glass, fire log retainers and over all cast iron internal elements

WARNINGS

- » Never throw water onto the fire to put it out
- » The window pane(s) can reach high temperatures by releasing radiated heat; we advise you not to place sensitive objects within 1500mm proximity
- » Due to extreme temperatures when the unit is lit, ensure adult supervision around young children
- » If your fireplace is equipped with wood storage areas, ensure that they are not obstructed (eg by a door, or by overloading with wood etc) so that air can flow freely. Additionally, do not store easily flammable materials there (eg paper, matches)
- » Caution: in the event of a chimney fire, close the air inlets, close the fireplace door and call the fire brigade

WARNING: ANY MODIFICATION OF THE APPLIANCE THAT HAS NOT BEEN APPROVED IN WRITING BY THE TESTING AUTHORITY IS CONSIDERED AS BREACHING AS/NZS 4013.

WARNING: DO NOT USE FLAMMABLE LIQUIDS OR AEROSOLS TO START OR REKINDLE THE FIRE.

WARNING: DO NOT USE FLAMMABLE LIQUIDS OR AEROSOLS IN THE VICINITY OF THIS APPLIANCE WHEN IT'S OPERATING.

WARNING: DO NOT STORE FUEL WITHIN HEATER INSTALLATION CLEARANCES.

WARNING: WHEN OPERATING THIS APPLIANCE AS AN OPEN FIRE, USE A FIRE SCREEN.

WARNING: OPEN AIR CONTROLS AND DAMPER WHEN FITTED BEFORE OPENING FIRING DOOR.

WARNING: DO NOT BURN WOOD THAT IS PAINTED; OR IS COATED WITH PLASTIC; OR HAS BEEN TREATED WITH ANY CHEMICAL

CAUTION: DO NOT OPERATE THIS APPLIANCE IF GLASS IS CRACKED OR BROKEN.

CAUTION: THIS APPLIANCE SHOULD BE MAINTAINED AND OPERATED AT ALL TIMES IN ACCORDANCE WITH THESE INSTRUCTIONS.

6. MAINTENANCE

6.1 SERVICING GUIDE

28

6.2 TROUBLE SHOOTING

29

6.3 SPARE PARTS

30

SERVICE & ONGOING MAINTENANCE

- » The fireplace should be cleaned at least once a year by a professional, including once during the heating period (winter) to ensure the unit and flue are in good order. The various parts of the unit should be checked, including all door ropes and seals, baffle plate, glass, etc, as it may be necessary to replace these
- » If there are any defects, you must not use the fireplace. Repair or replacement must be carried out before reuse. Ensure that the fitting is carried out by a professional
- » The fireplace is specially designed so that parts can be replaced during routine maintenance
- » Once the heating period is over, clean all the internal cast iron elements, scrape off any soot or tar and brush down all the parts. To facilitate this task, take out all removable parts, (grates, firedog, baffle deflector etc). Reassemble all items, including the damper before reuse
- » After this cleaning, rub all cast iron elements with a suitable *Cheminées Philippe* touch up paint to protect the unit (carry out as often as necessary)
- » Sporadic use perpetuates condensation, which accelerates oxidation. During this period leave air inlets open to allow for circulation of air. Pay particular attention to this in fireplaces which are not used for a continuous period (eg holiday homes) and in coastal areas where the unit and flue are more susceptible to salted air
- » In areas that are subject to high moisture content including but not limited to coastal, rural and green urban spaces, it is recommended that the door is periodically left ajar to avoid a build up of condensation in the firebox
- » For units equipped with a perforated grille on the outside, clean this with a vacuum cleaner to avoid the build up of dust in the perforations which would reduce convection air circulation
- » Regularly empty the ash box to avoid an accumulation of ash which could obstruct and damage the grates. Ashes should be cold and placed in a non-combustible container with a tightly fitting lid and moved outdoors immediately to a location clear of combustible material
- » For equipment with brass accessories or façade, varying degrees of discolouration may occur according to the temperature when in use. When the fireplace is not being used, brass can tarnish through natural oxidation. For this reason, it is necessary to regularly maintain these parts using a copper or brass cleaning product. Avoid staining the brass with the glass cleaning product
- » Clean the glass panel when the window is cold by spraying it with a glass cleaner (**AVOID** spraying onto any cast iron elements) or as an alternative, use a piece of newspaper dabbed in warm water and then dipped in the ash. Do not use any abrasive cleaning materials on the glass, ie steel wool, abrasive cloths, etc



We recommend to use RUCO glass cleaner. An Australian-made fast-acting formula, that removes soot and creosote from wood heater glass doors.

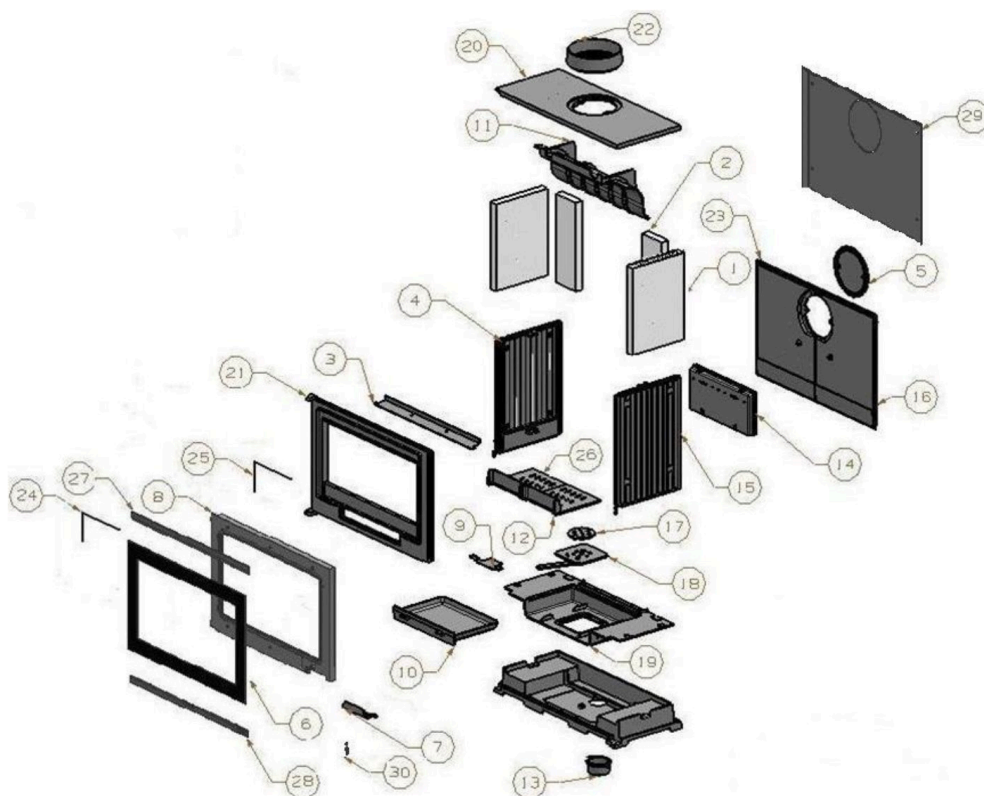
When the glass is cold, spray the Ruco onto a damp cloth, paper towel or newspaper and use this to wipe the creosote off the the glass. For particularly baked on creosote, repeat process.

***Reminder to AVOID spraying the cast iron elements**

OBSERVATION	POTENTIAL SOLUTION
Downdraft; Smoke billowing out of glass	<ul style="list-style-type: none"> - Ensure damper and all air inlets are in the open position several minutes before opening the door - Check there is sufficient fresh air intake into the room (open a door or window to check) - Ensure the flue is cleared of any creosote build up, engage a professional service if required - Using a moisture meter check the moisture content of the wood, refer to pages 36 & 37 - Ensure there are no mechanically operated fans or extractors being used that are in the same vicinity as the fireplace - There may not be enough draw, an extra length of flue is highly recommended and/or fit appropriate cowl - Ensure there is enough fresh air in the room, refer to page 6 - The flue is poorly insulated and the cold outdoor temperatures are causing low flue gas temperatures - Have your fireplace checked by an authorised service agent
Lack of heat; The fire smoulders or goes out	<ul style="list-style-type: none"> - Try and light your fire using cut or smaller pieces of wood - Ensure there is enough fresh air in the room, refer to page 6 - Lack of oxygen in the firebox, ensure inlets are open - Using a moisture meter check the moisture content of the wood, refer to pages 22 & 23
Good fire burning, but low heat output	<ul style="list-style-type: none"> - Ensure glass door is closed when burning - Check that the unit is sufficiently airtight, refer to page 32 for location of adjustments - Ensure the right wood is being used, refer to pages 22 & 23
The window becomes dirty very quickly	<ul style="list-style-type: none"> - Using a moisture meter check the moisture content of the wood, refer to pages 22 & 23 - Avoid too many long, slow burning fires - Check the secondary air in-take is not blocked

PARTS LIST

- » When requesting spare parts or information, please note the serial number which can be found on the identification plate on the base of the unit on the base of the ash pan chamber
- » Only use spare parts, in particular the replacement of glass should only be sourced and supplied by *Cheminées Philippe Australia*
- » Please refer to common parts list on page 18, for all other parts refer to diagram below



N°	Désignation	Code	N°	Désignation	Code	N°	Désignation	Code
1	Céramique coté	013505	13	Buselot 80	012547	25	Joint verre H.T Ø 11 F695	062112B
2	Céramique fond	013506	14	Boîte à air	012549	26	Grille foyère gauche	012546
3	Canaliseur	013483	15	Coté droit	012551	27	Cornière haute	013502
4	Coté gauche	012550	16	Fond fixe droit	012553	28	Cornière bas	013504
5	Tampon diam 180	012539	17	Registre	012548	29	Dos tôle	012538
6	Vitre	012527	18	Support registre	012560	30	Axe poignée	-
7	Poignée	012541	19	Supplément d'embase	012554	31	Rondelle prestole	-
8	Porte	012002	20	Dessus	012555	32	Embase	012559
9	Guide registre	013507	21	Cadre fixe	012556	33	Canaliseur gauche	012557
10	Cendrier	012542	22	Sortie ronde diam 200	013660	34	Canaliseur droit	012558
11	Défecteur	012543	23	Fond fixe gauche	012552			
12	Grille foyère droite	012546	24	Joint plat adhésif 7x3	06307			

7. WARRANTY

7.1 WARRANTY POLICY & EXTENDED WARRANTY

32

7.2 INSTALLER CHECKLIST FORM

33

WARRANTY

- » The installation guarantee is effective within a framework of compliance with the code of practice, the legislation in force, the installation instructions and the correct use of this fireplace
- » The warranty period begins when the unit has left the warehouse of *Cheminées Philippe Australia*
- » Care will need to be taken with implementation of the various components and connections, the materials used around the fireplace, as well as compliance and conformity with this manual alongside the requirements of AS/NZS 2918:2018
- » This document does not claim to cover all eventualities, or to cover the entirety of the prescriptive legal documentation and does not render exempt the necessity of consulting the latter
- » All weights and dimensions will vary according to the unit model and technical requirements. In order to constantly improve manufacture, we reserve the right to modify our equipment without prior notification
- » *Cheminées Philippe Australia* is free of liability for any damages caused by the replacement of the appliance or its parts, as well as inconvenience expenses, materials to reconstitute the fireplace and/or any delivery costs involved. Incidental or consequential damages are not covered by this warranty
- » All our warranty periods as outlined below are provided on the basis that there is strict compliance with the installation, use and maintenance guide as specified in this manual
- » All parts that come in contact with high temperatures may become deformed by general wear and tear and are therefore guaranteed for one year (as per the table below)
- » **The window panes can resist temperatures of around 750°. So any breakage can only be caused by impact during use or handling and cannot be exchanged under the terms of the warranty
- » During the moulding stage of production, chips may naturally occur in the cast iron. This is not considered a defect and will NOT effect the units performance
- » Warranty does not cover damages originating from incorrect installation, atmospheric conditions including chemical contamination and geographical location (including coastal areas), or over firing of the firebox to extremely high temperatures. These factors can contribute to warping, oxidation, bubbling, discolouration, cracking and/or paint peeling of the firebox and components
- » If the unit is installed outside or in close proximity to coastal environments then any damages sustained by natural elements (rain, sun, salt air, etc) are not covered under warranty
- » This warranty does not cover rusting of any of the cast iron components
- » The warranty is non-transferable and stays with the original purchaser, therefore it cannot transfer to a different owner

COMPONENT PARTS	STANDARD WARRANTY	EXTENDED WARRANTY*
Firebox Only	5 Years	+5 Years Total:10 Years
Elevating Door Mechanism & Door Frame	2 Years	
Decorative Back Plates + Sides	1 Year	
Fire Grates	1 Year	
Refractory Elements	1 Year	
Baffles + Dampers	1 Year	
Ashtrays + Ash Retainers	1 Year	
Firedogs + Support Logs	1 Year	
Damper Cables & Sprindle	1 Year	
Ceramic Bricks	1 Year	
All Glass**	None	

Extended Warranty: A five year limited manufacturers warranty is given to all *Cheminées Philippe* fireboxes only and can be extended to 10 years if the above requirements have been adhered to and a product registration form has been sent to us within 14 days of installation. This can be done online at <https://chemphilaust.com.au/product-registration/>

For all service and warranty claims, please fill out the request form at <https://chemphilaust.com.au/service-request/>

(IT IS MANDATORY TO COMPLETE THIS FORM FOR WARRANTY PURPOSES)

DATE OF INSTALLATION:

Tick

1	Installation of the unit & flue conform to this manual & AS/NZS 2918:2018	
2	All safety clearances and minimum hearth sizes have been abided by	
3	All components (including back & baffle plate) have been fitted correctly	
4	All nuts & bolts to be tightened, seals checked and grease where applicable	
5	A test fire has been lit and the unit draws effectively	
6	All packaging including any flammable material has been removed	
7	The user has been shown the Mechanisms, Operation & Maintenance guide	
8	The user has been advised to cure the firebox initially with 10 small fires	
9	This manual has been left with the owners of this fireplace	
10	A Certificate of Compliance has been given to the owner	

FIRST & LAST NAME OF INSTALLER:

COMPANY NAME (IF APPLICABLE)

CONTACT NUMBER

COMPLIANCE CERTIFICATE #

SERIAL NUMBER OF UNIT (located inside the base of the ashpan chamber)

For warranty please register your fireplace at <https://chemphilaust.com.au/product-registration/>

CHEMINÉES PHILIPPE AUSTRALIA

For more information contact your nearest dealer
or visit, www.chemphilaust.com.au