



Linear Fireplace CoolSmart TV

(54PB - sku# 98900775)(72PB & 6015 HO - sku# 98900776)

Compatibility

- Pro Builder 54 Linear (PB54) – sku# 98900775
- Pro Builder 72 Linear (PB72) – sku# 98900776
- 6015 HO Linear Fireplaces (sn# 3214-006940 or later) – sku# 98900776

Packing List

- Convection Manifold (with grill and mounting brackets pre-attached)
- 5" Diameter Aluminum Flex Ducts (4) PB54, (6) PB72 & 6015HO
- Starter Collars – (4) PB54, (6) PB72 & 6015HO
- Self-Drilling Tek Screws – (24) PB54, (36) PB72 & 6015HO

Table of Contents

Compatibility	1
Packing List	1
PB 54 & 72 Linear Details	2
ProBuilder 54 & 72 – Installation Overview	2
ProBuilder 54 & 72 – Installation Requirements	3
ProBuilder 54 & 72 – Combustible “Over-Facing” (Optional)	4
ProBuilder 54 & 72 – Framing the Chase	5
ProBuilder 54 & 72 – Mantel Clearances Using CoolSmart Kit	6
ProBuilder 54 & 72 – Fireplace Preparation	8
6015 HO Linear – Details	10
6015 HO Linear – Installation Overview	10
6015 HO Linear - Installation Requirements.....	11
6015 HO Linear - Combustible “Over-Facing” (Optional).....	12
6015 HO Linear - Flush Facing Header Configuration & Facing.....	13
6015 HO Linear - Framing the Chase.....	14
6015 HO Linear - Mantel Clearances with CoolSmart TV	15
6015 HO Linear - Fireplace Preparation.....	16
6015 HO - Knockout Removal	17
CoolSmart TV Kit Installation (ProBuilder & 6015HO)	19
Using oval pipe to get past an obstruction.....	22
Custom Valance to Disguise Outlet – (Optional).....	23



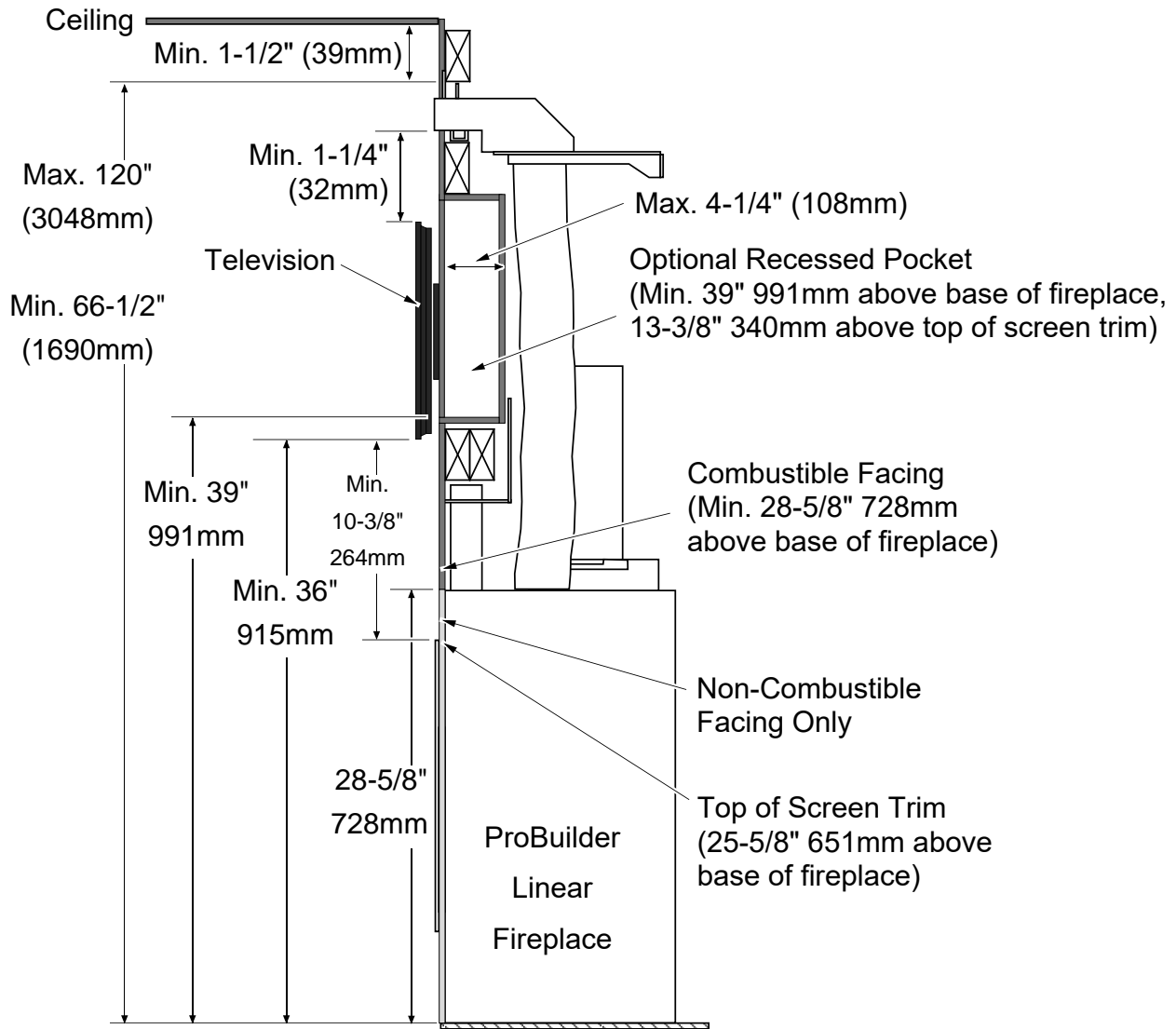
Linear Fireplace CoolSmart TV

(54PB - sku# 98900775)(72PB & 6015 HO - sku# 98900776)

PB 54 & 72 Linear Details

ProBuilder 54 & 72 – Installation Overview

The CoolSmart system is designed to redirect the convective heat of the fireplaces from the front of the unit, just above the glass, to a location higher on the wall. The use of this kit allows for reduced clearances to televisions and a recessed cavity above the fireplace. When using this kit, disregard the standard framing dimensions and follow the framing instructions for the CoolSmart kit.

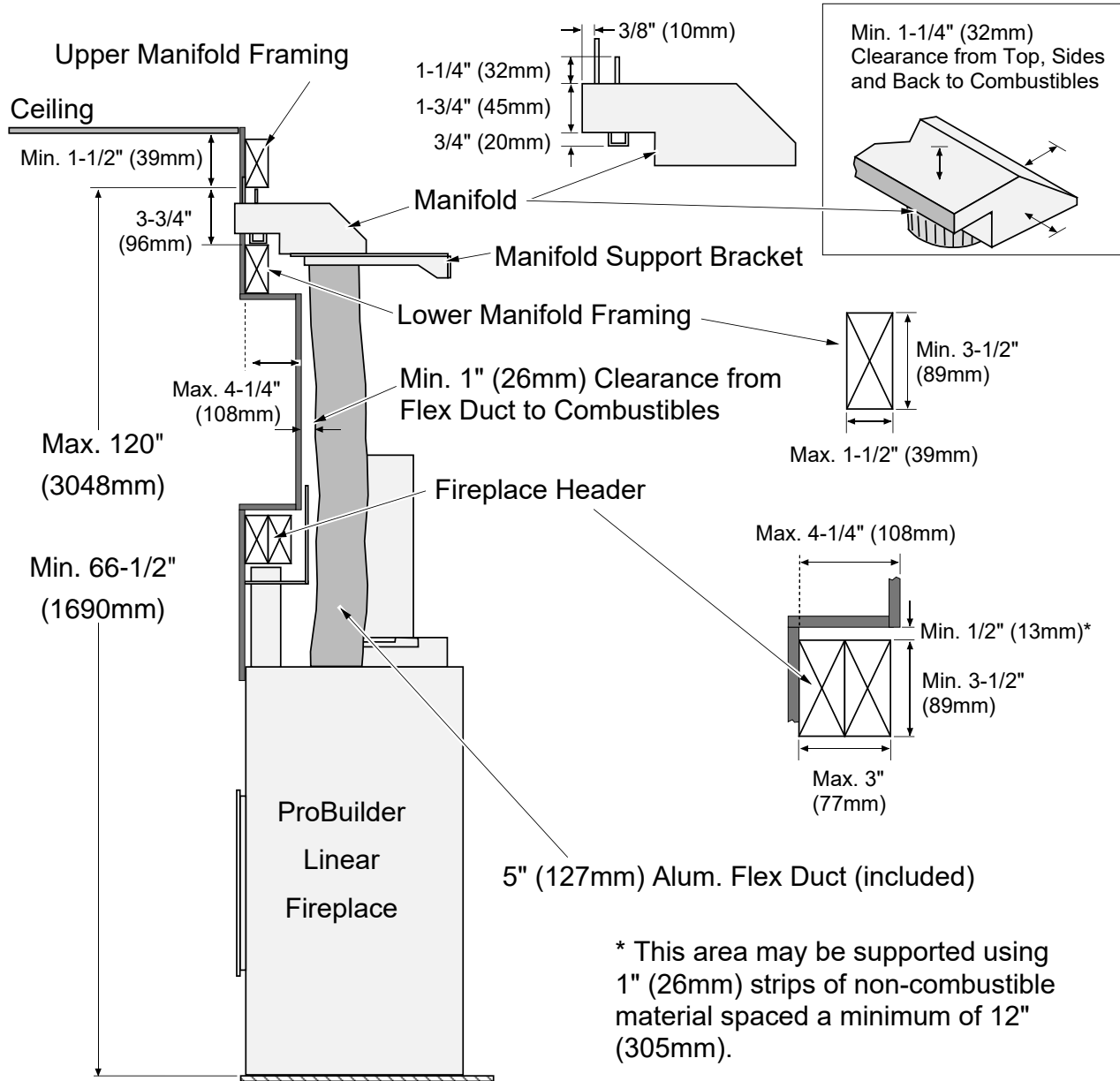




Linear Fireplace CoolSmart TV

(54PB - sku# 98900775)(72PB & 6015 HO - sku# 98900776)

ProBuilder 54 & 72 – Installation Requirements





Linear Fireplace CoolSmart TV

(54PB - sku# 98900775)(72PB & 6015 HO - sku# 98900776)

ProBuilder 54 & 72 – Combustible “Over-Facing” (Optional)

When using the CoolSmart TV kit, Combustible material can be installed over the front of the fireplace. **The combustible material MUST be installed over 1/2” non-combustible board. See the two options below.**

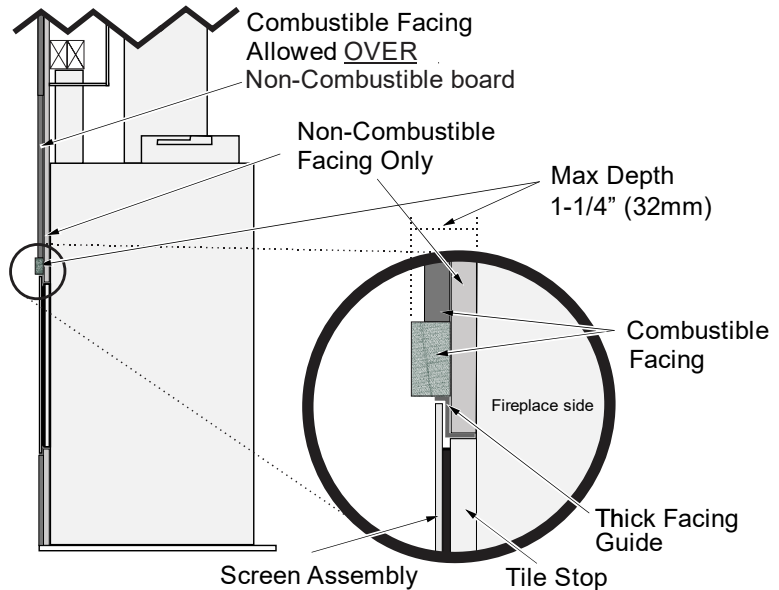
NOTE: The maximum facing depth (combustible + non-combustible facing) is 1-1/4”. Any facing that extends farther than 1-1/4” must meet mantel clearances.

WARNING: The front of the appliance is subject to high temperatures which may cause discoloration and/or material degradation. Take this into account when choosing finishing materials.

Installation With Thick Facing Guide (facing butts thick facing guide) - STANDARD

NOTE: Leave the thick facing guide in place on the fireplace.

NOTE: The screen assembly mounts should be left in the stock position (all the way in).



Installation Without Thick Facing Guide (screen assembly overlaps facing)

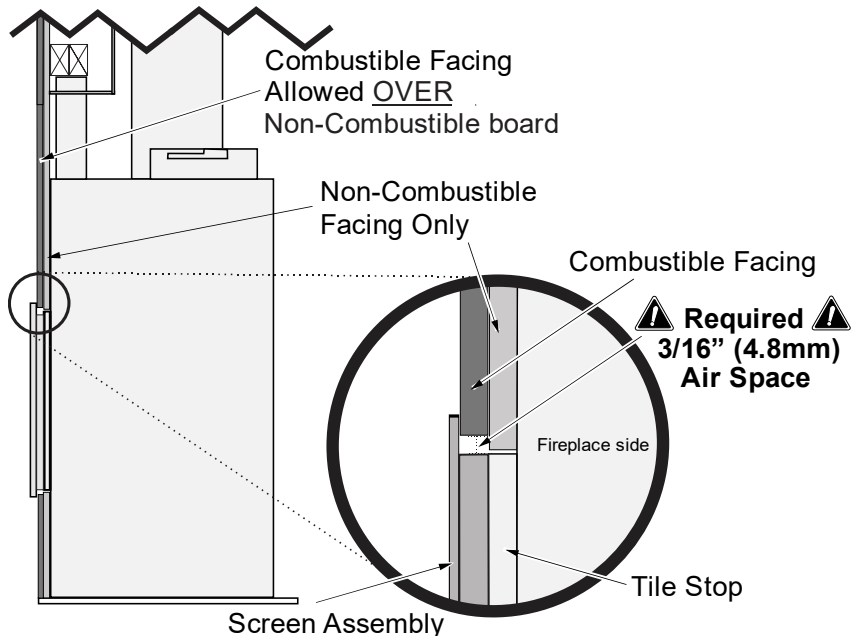
Note: Remove the thick facing guide on the fireplace (it is not used with this configuration).

Note: The screen assembly mounts will need to be moved out to accommodate the thickness of the facing (see installation manual for details).



Warning:

When not using the thick facing guide, a 3/16” (4.8mm) air space is required from all four sides of the tile stop on the fireplace to the combustible facing (see details below).

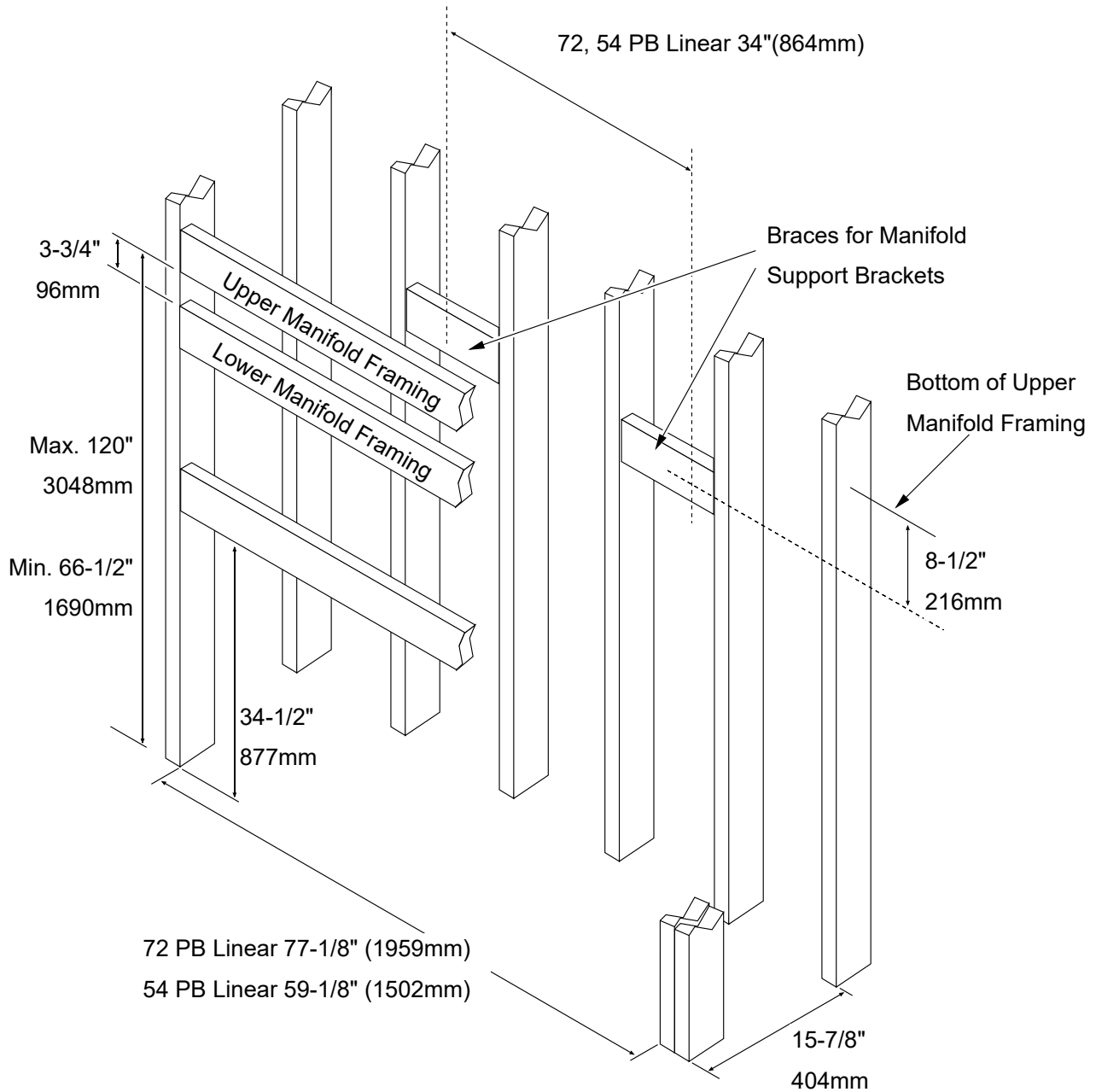




Linear Fireplace CoolSmart TV

(54PB - sku# 98900775)(72PB & 6015 HO - sku# 98900776)

ProBuilder 54 & 72 – Framing the Chase



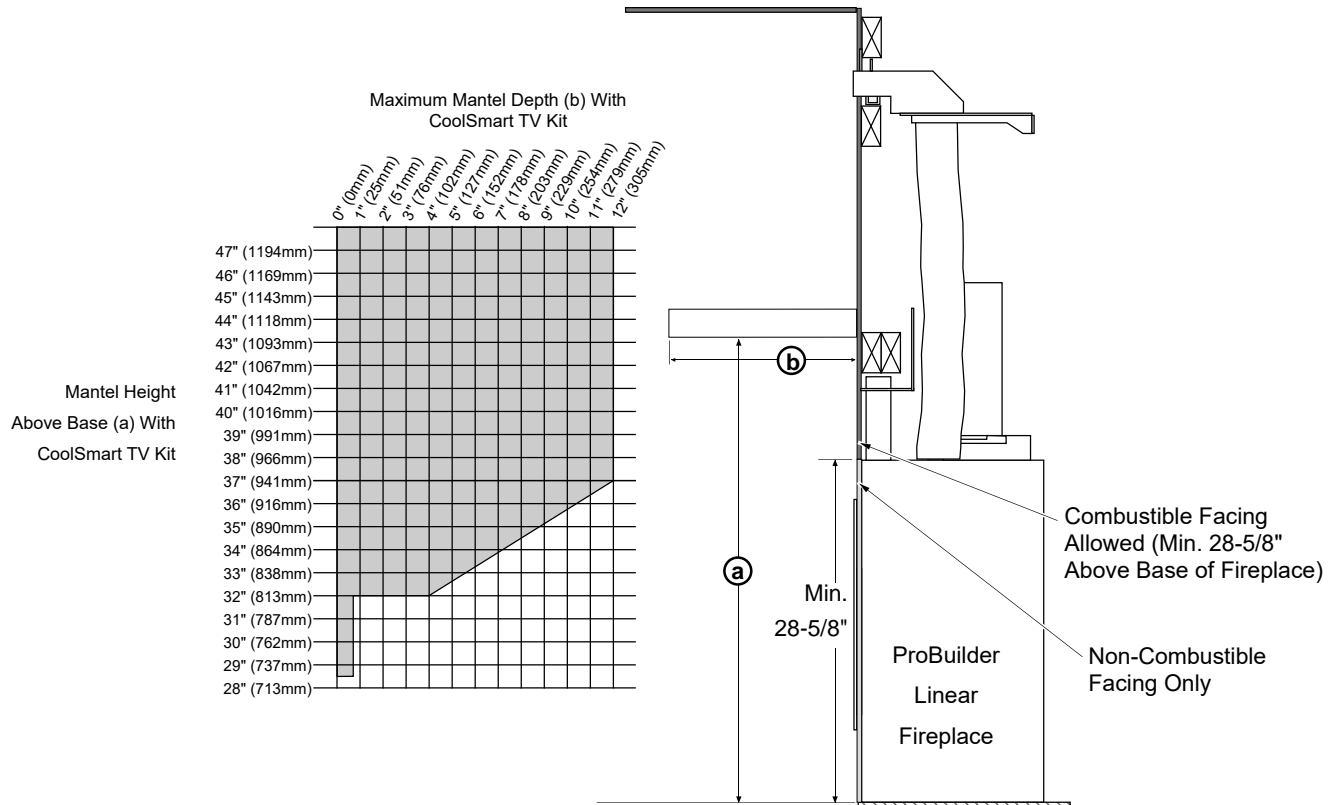


Linear Fireplace CoolSmart TV

(54PB - sku# 98900775)(72PB & 6015 HO - sku# 98900776)

ProBuilder 54 & 72 – Mantel Clearances Using CoolSmart Kit

When using the CoolSmart Kit the mantel clearances are revised (see illustration below). The mantel clearances in the manual may be disregarded when using this kit.



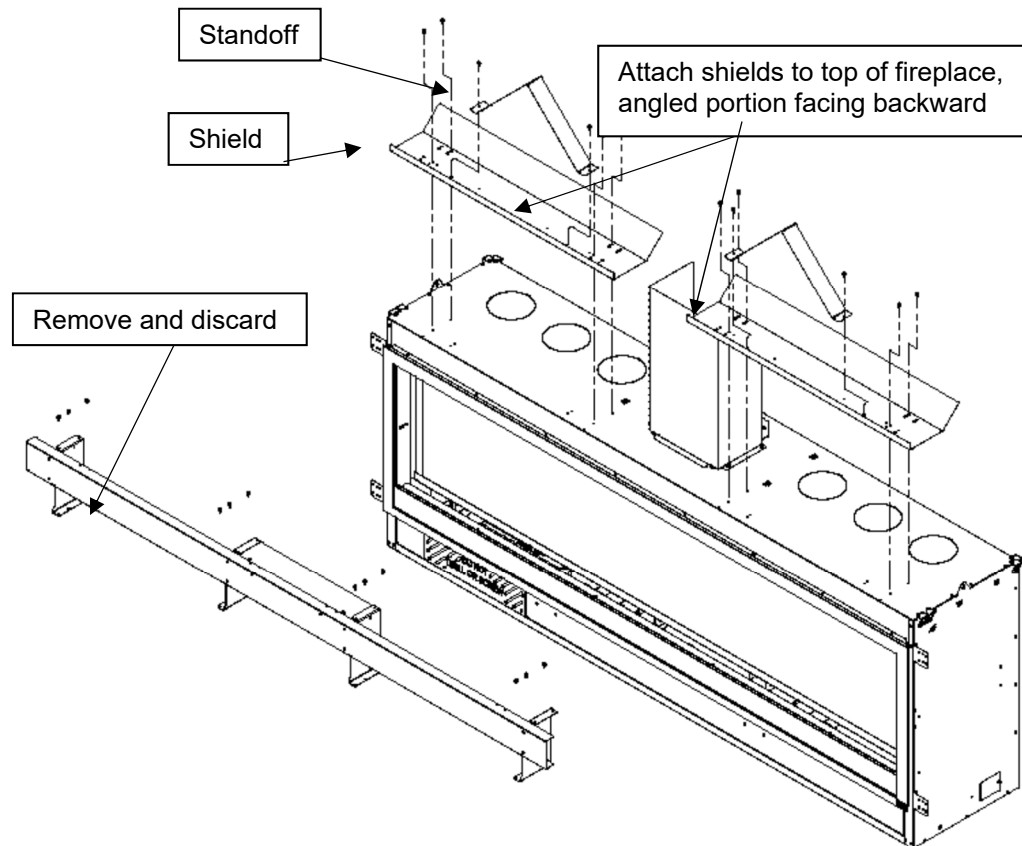


Linear Fireplace CoolSmart TV

(54PB - sku# 98900775)(72PB & 6015 HO - sku# 98900776)

ProBuilder 72 Only – Fireplace Preparation

1. Prepare the fireplace for installation into the framing by removing the two shields from the top of the header standoff assembly. Remove the standoffs from the shields. Set the shields, standoffs and fasteners aside for reinstallation.
2. Remove the header standoff assembly from the top of the fireplace by removing the (12) ¼" screws securing it to the unit. Discard the assembly.
3. Install the two shields directly to the top of the fireplace. The upward slanted portion of the shield faces the back of the fireplace.



4. Bend up the "V" shaped standoffs and attach them to the top of the shields

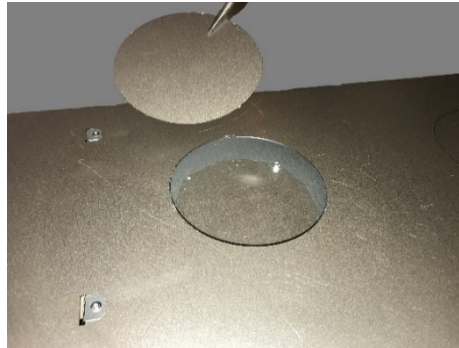


ProBuilder 54 & 72 – Fireplace Preparation

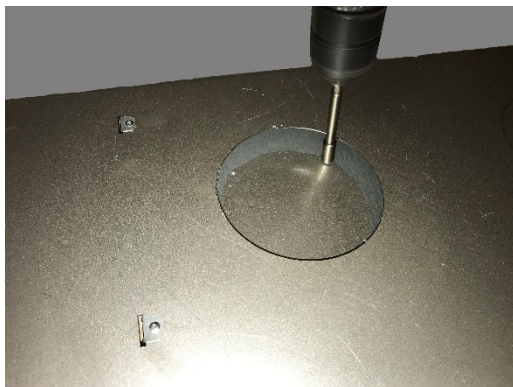
- 1 Use snips or diagonal cutters to snip the tab on the knockouts. Press on the far side away from the tap to pop the edge of the knockout up.



- 2 Grab on to the knockout with pliers and bend it back and forth until the remaining tabs break free. Discard the knock out plate.



- 3 Under each knock out plate, you will find a cover plate held in place with (2) ¼” screws. Use a nut driver or drill with an extension to remove the (2) screws. Reach in and remove the cover plate. You may discard the plates.

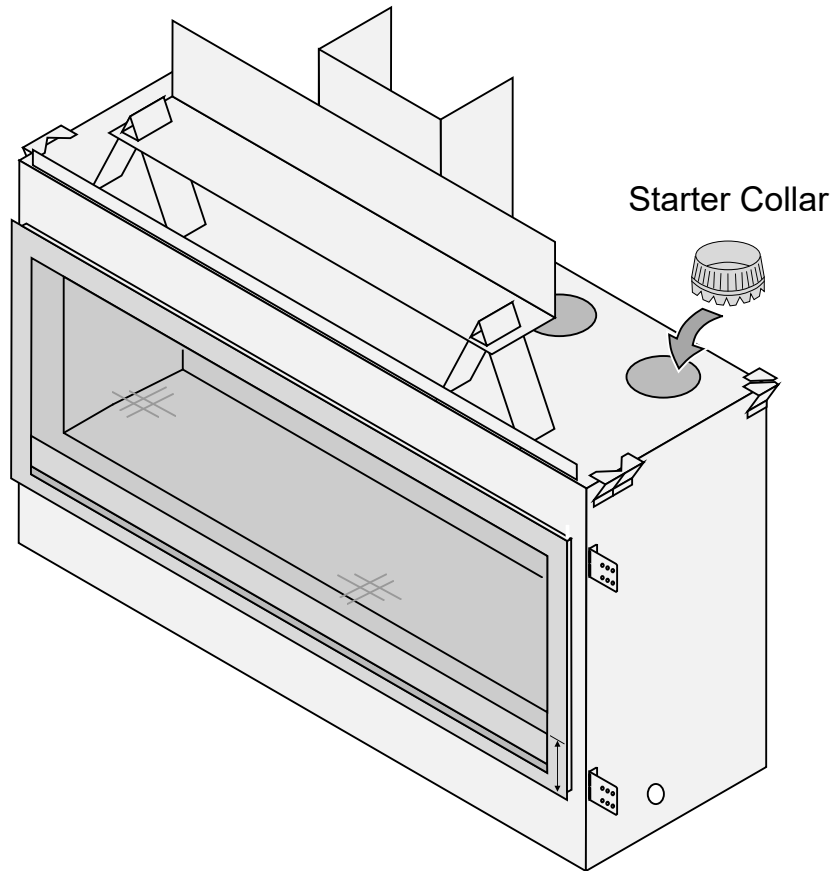




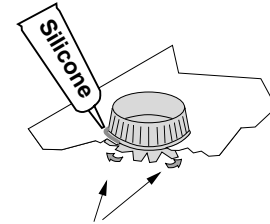
Linear Fireplace CoolSmart TV

(54PB - sku# 98900775)(72PB & 6015 HO - sku# 98900776)

- 4 Insert a starter collar into each of the (6) holes that were uncovered in the previous step and bend the tabs to secure the starter collar to the fireplace.. Seal the joints with silicone caulk or aluminum (U.L. 181A-P) tape



Use silicone to seal the starter collar to the top of the fireplace.



Bend the tabs on the bottom of the starter collar up to lock it in place.

- 5 Install the fireplace into the framed chase. See section "Installation" in the manual.

NOTE: With the use of this kit, the clearance to combustible material may be reduced. Combustible material may be installed to the top of the fireplace box. Non-combustible is still required on all front surfaces of the fireplace box.

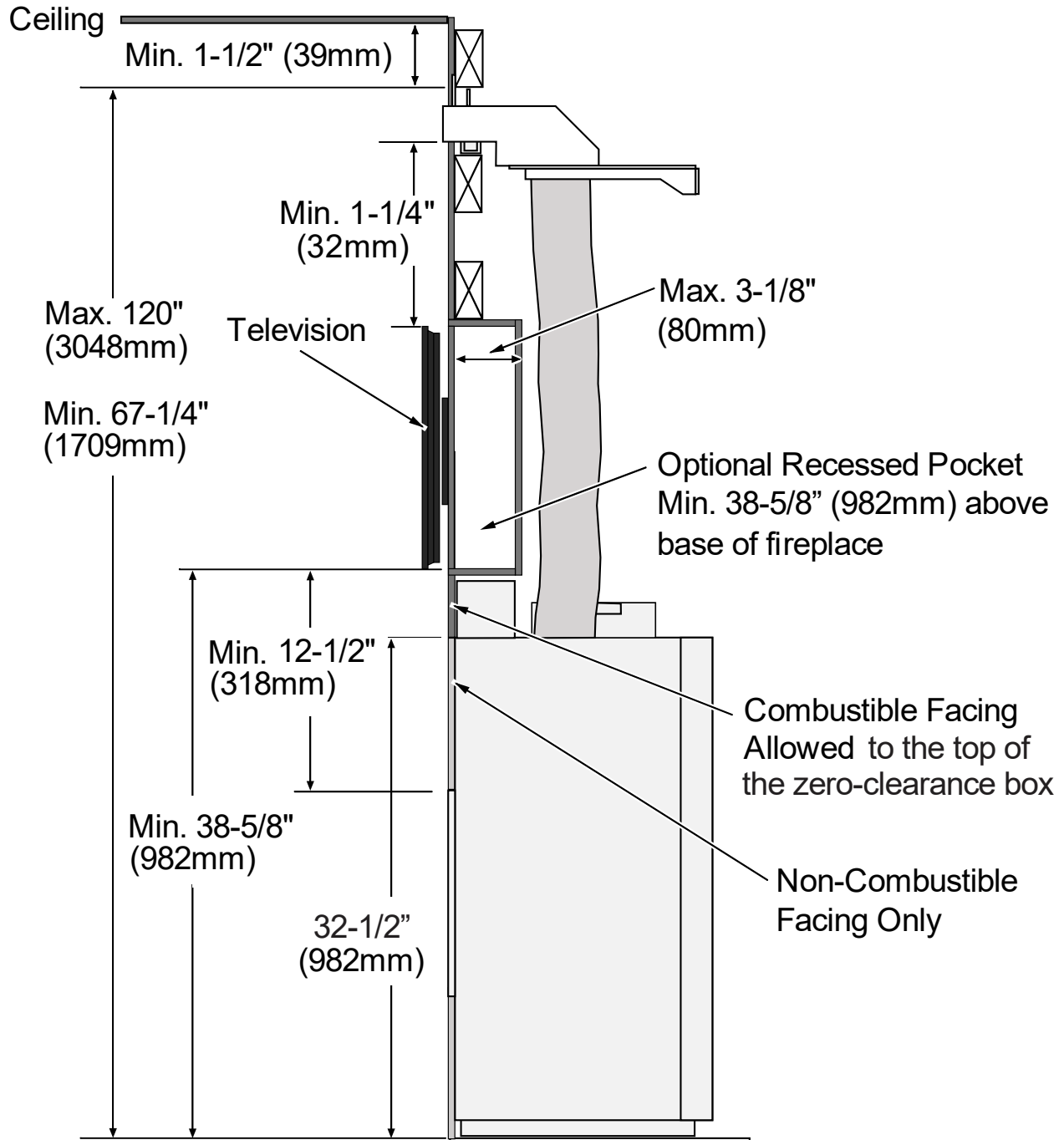
Continue to "CoolSmart TV Kit Installation" section on PAGE 19



6015 HO Linear – Details

6015 HO Linear – Installation Overview

The CoolSmart system is designed to redirect the convective heat of the fireplaces from the front of the unit, just above the glass, to a location higher on the wall. The use of this kit allows for reduced clearances to televisions and a recessed cavity above the fireplace. When using this kit, disregard the standard framing dimensions and follow the framing instructions for the CoolSmart kit.

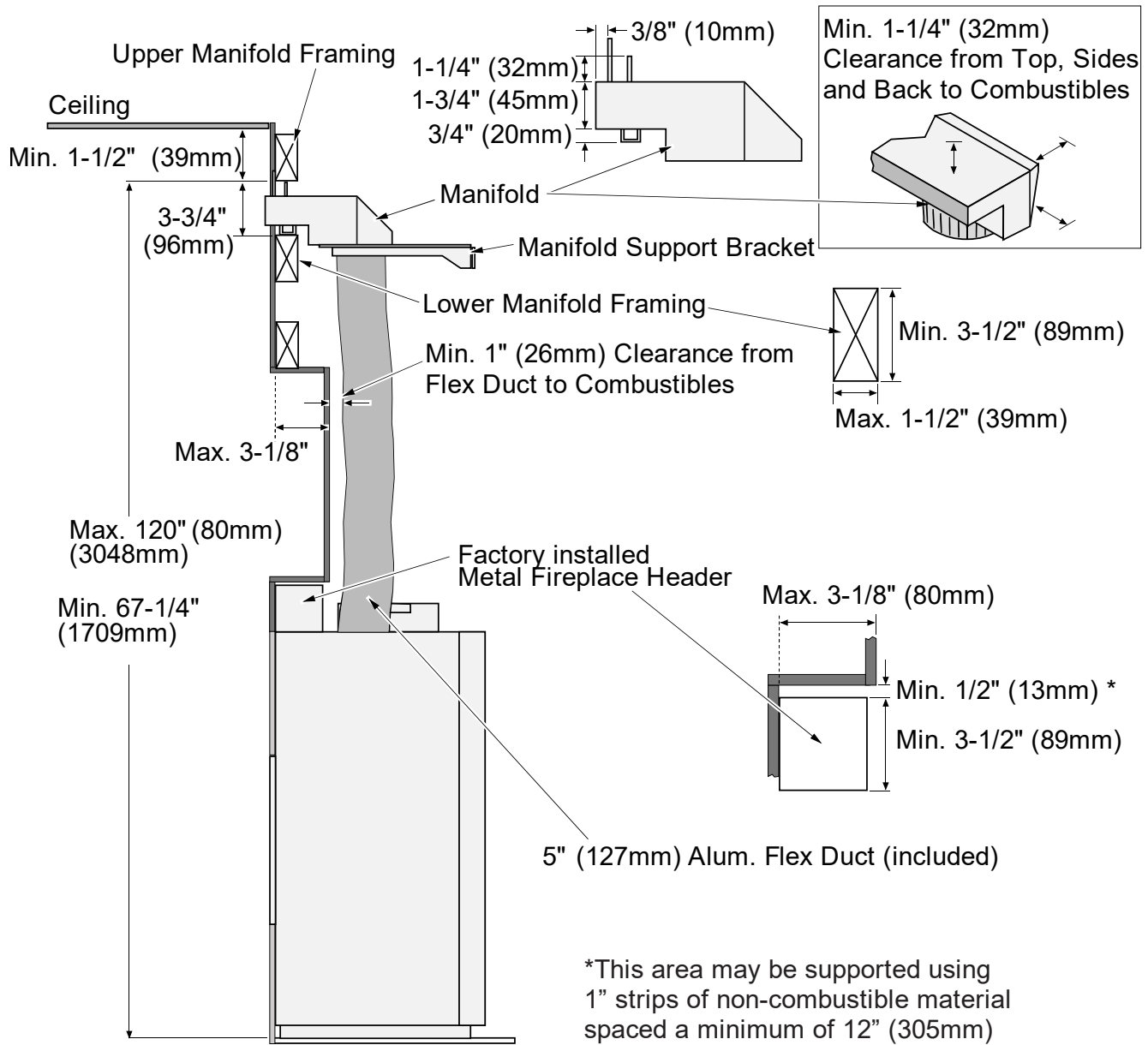




Linear Fireplace CoolSmart TV

(54PB - sku# 98900775)(72PB & 6015 HO - sku# 98900776)

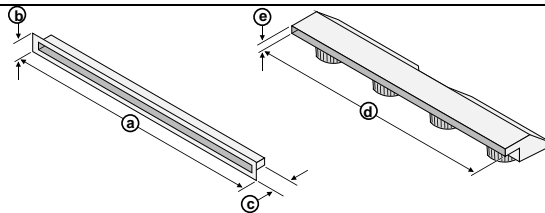
6015 HO Linear - Installation Requirements



Grill and Manifold Dimensions

The grill may be installed over the facing to provide an aesthetic opening for the convection outlet. (2) 8-32 x 1-1/2" screws attach the trim to the upper manifold. This allows variable thickness of finish material.

Dimensions



a	b	c	d	e
75" (1905mm)	2-7/8" (74mm)	1-1/4" (32mm)	74" (1880mm)	1-3/4" (45mm)



Linear Fireplace CoolSmart TV

(54PB - sku# 98900775)(72PB & 6015 HO - sku# 98900776)

6015 HO Linear - Combustible "Over-Facing" (Optional)

⚠ WARNING ⚠

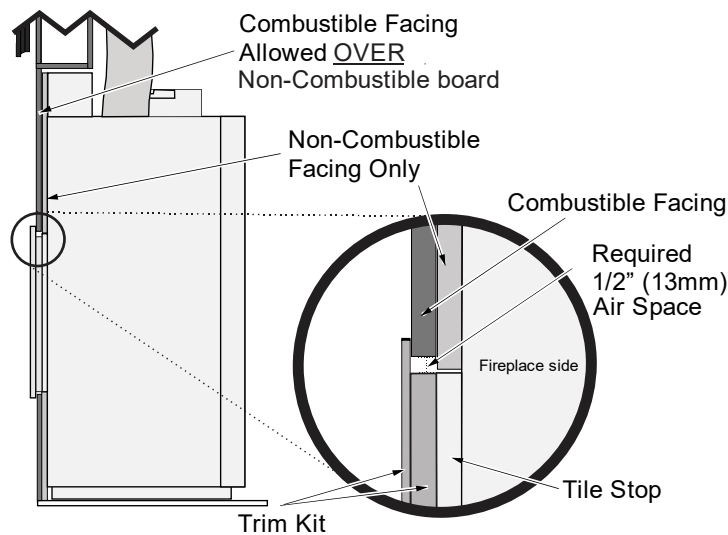
When using the CoolSmart TV kit, Combustible material can be installed over the non-combustible board on the front of the fireplace. To be clear, there will be (2) layers of board over the front of the appliance, one **non-combustible that covers the entire front of the fireplace**, and a second layer that can be combustible material that is placed on top of the non-combustible board.

The combustible material MUST be installed OVER 1/2" of non-combustible board.

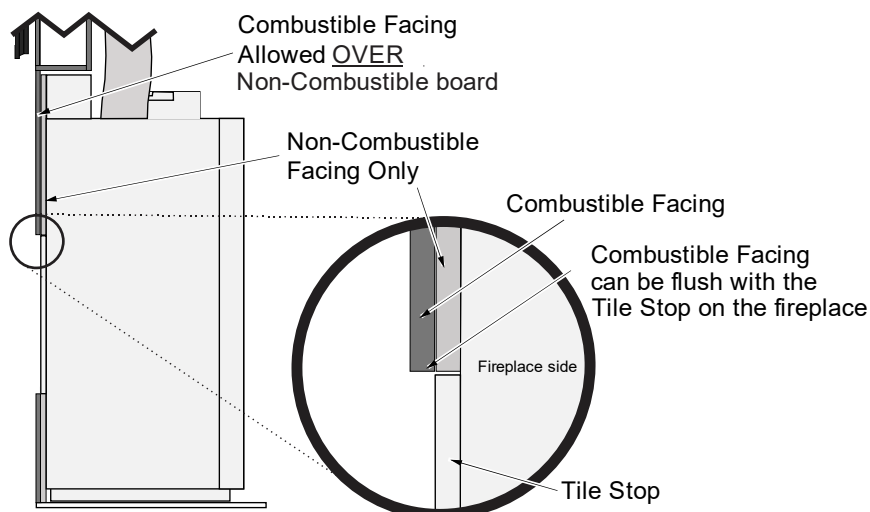
WARNING: If using a trim kit or the Gallery face, a 1/2" air space is required from all four sides of the tile stop on the fireplace. If no trim is being used, the airspace is not required (see below for details).

NOTE: The maximum facing depth (combustible + non-combustible facing) is 1-1/4". Any facing that extends farther than 1-1/4" must meet mantel clearances.

Over Facing WITH Trim Kit



Over Facing WITH OUT Trim Kit



WARNING: The front of the appliance is subject to high temperatures which may cause discoloration and/or material degradation. Take this into account when choosing finishing materials.



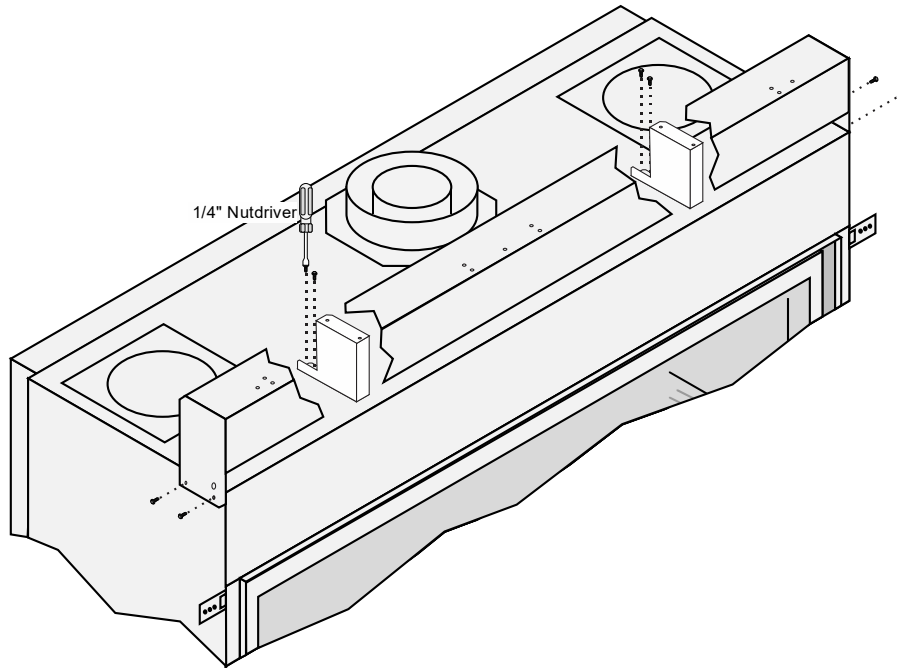
Linear Fireplace CoolSmart TV

(54PB - sku# 98900775)(72PB & 6015 HO - sku# 98900776)

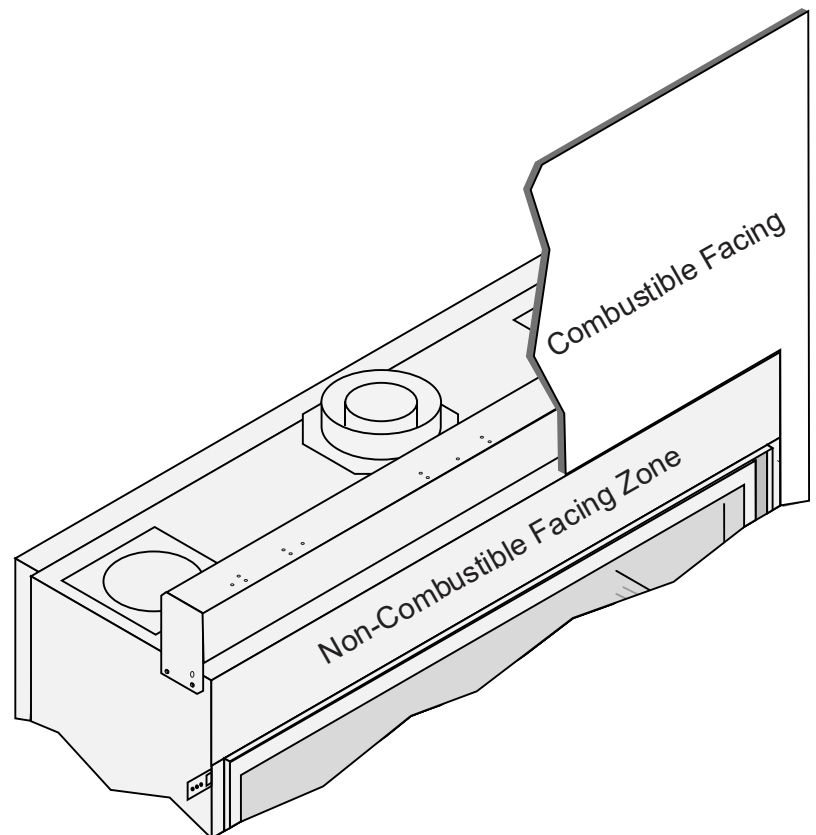
6015 HO Linear - Flush Facing Header Configuration & Facing

For installations where only non-combustible facing will cover the front of the appliance, the metal header can be moved back $\frac{1}{2}$ " to accommodate drywall installed flush with the front of the fireplace. The drywall can contact the top $\frac{1}{2}$ " of the fireplace top.

- Use a $\frac{1}{4}$ " nut driver to remove the (8) screws that secure the header assembly to the top of the fireplace
- Slide the header assembly back $\frac{1}{2}$ ".
- Align the header assembly with the second set of holes in the fireplace. Reattach the assembly to the fireplace (use the screws removed in the first step).



WARNING: For flush installations, combustible facing can touch the first $\frac{1}{2}$ " if the fireplace box. **ONLY NON-COMBUSTIBLE FACING** can cover the front of the appliance.

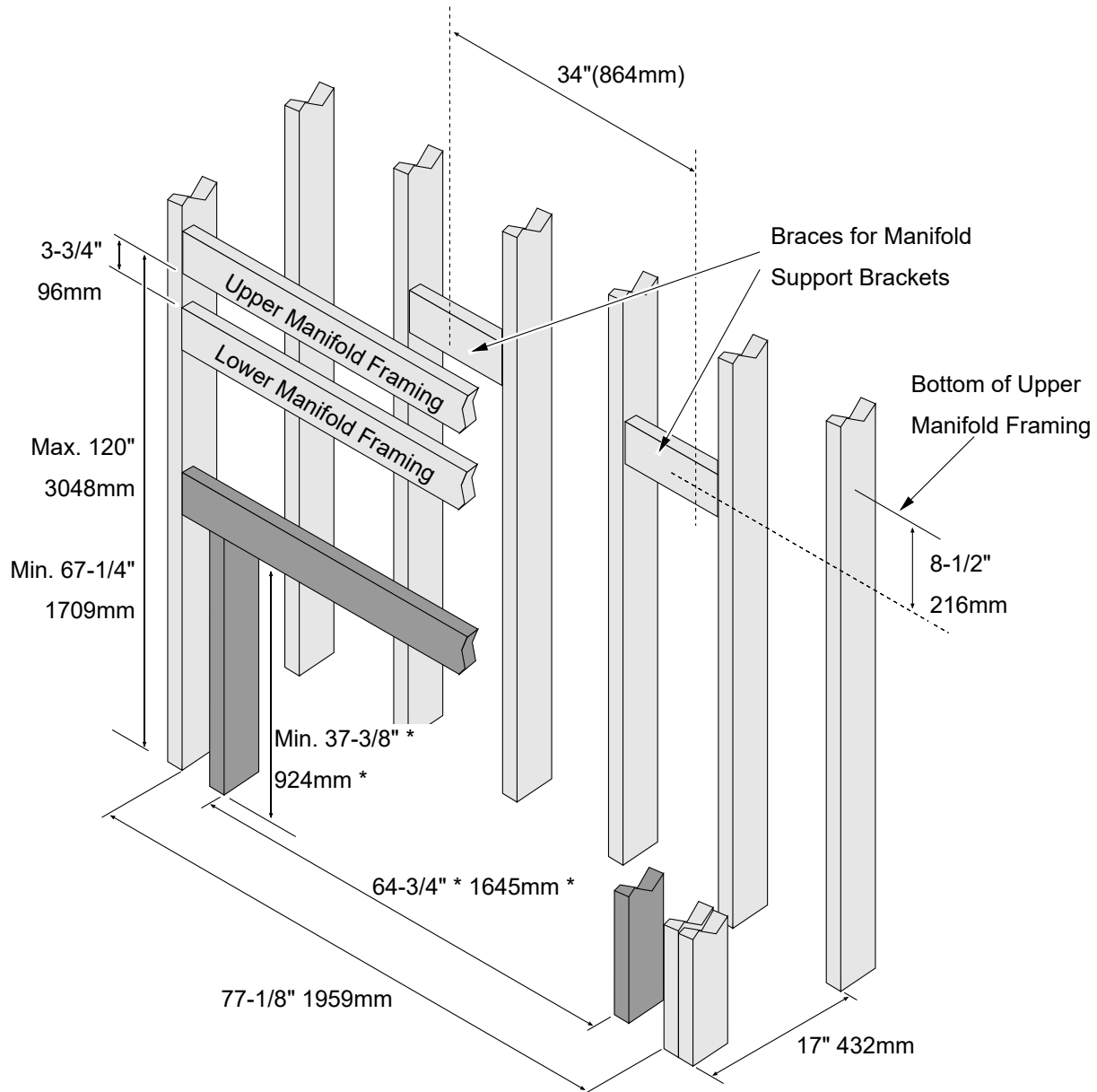




Linear Fireplace CoolSmart TV

(54PB - sku# 98900775)(72PB & 6015 HO - sku# 98900776)

6015 HO Linear - Framing the Chase



* The dark-shaded framing may be installed after the manifold is installed. It is used to provide support for the facing above the fireplace and nailing brackets.



Linear Fireplace CoolSmart TV

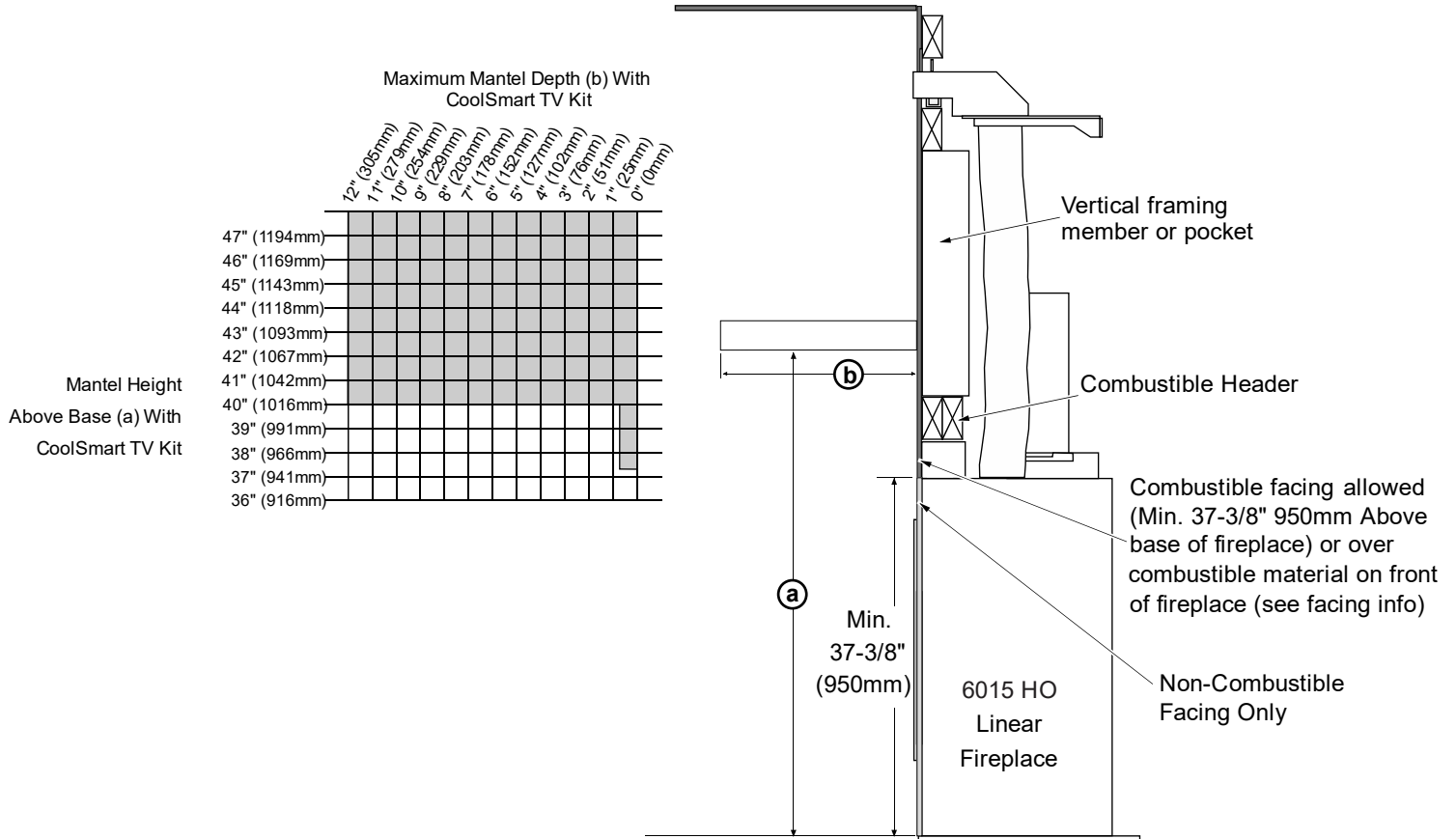
(54PB - sku# 98900775)(72PB & 6015 HO - sku# 98900776)

6015 HO Linear - Mantel Clearances with CoolSmart TV

When using this kit, disregard the combustible mantel requirements in the manual and follow the requirements shown to the below.

If you wish to place a TV above the mantel, it must meet the following requirements:

- Minimum 1" air gap behind TV to wall.
- The mantel must extend 2" in front of the TV and 1" to both sides.



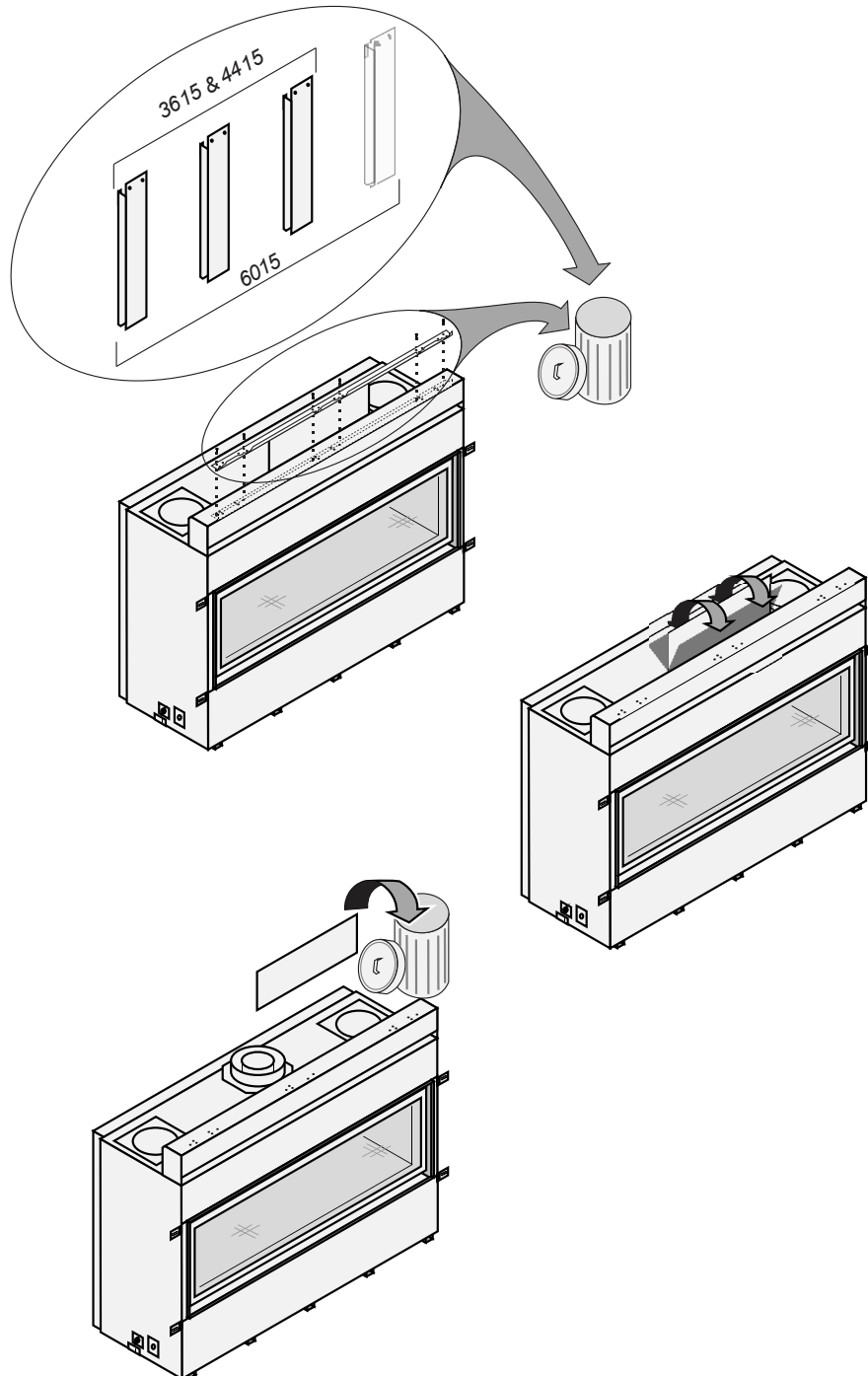


Linear Fireplace CoolSmart TV

(54PB - sku# 98900775)(72PB & 6015 HO - sku# 98900776)

6015 HO Linear - Fireplace Preparation

- When using the CoolSmart TV kit, you may discard the metal framing members included with the fireplace (3615 and 4415 have (3) and 6015 has (4)).
- Remove the screws that secure the sheetrock backer ("L" shaped metal bracket secured to the metal header of the unit) and discard the backer (see first illustration below). Bend the pipe heat shield back and forth until it snaps off of the metal header. Discard the heat shield (see middle and right illustrations below).

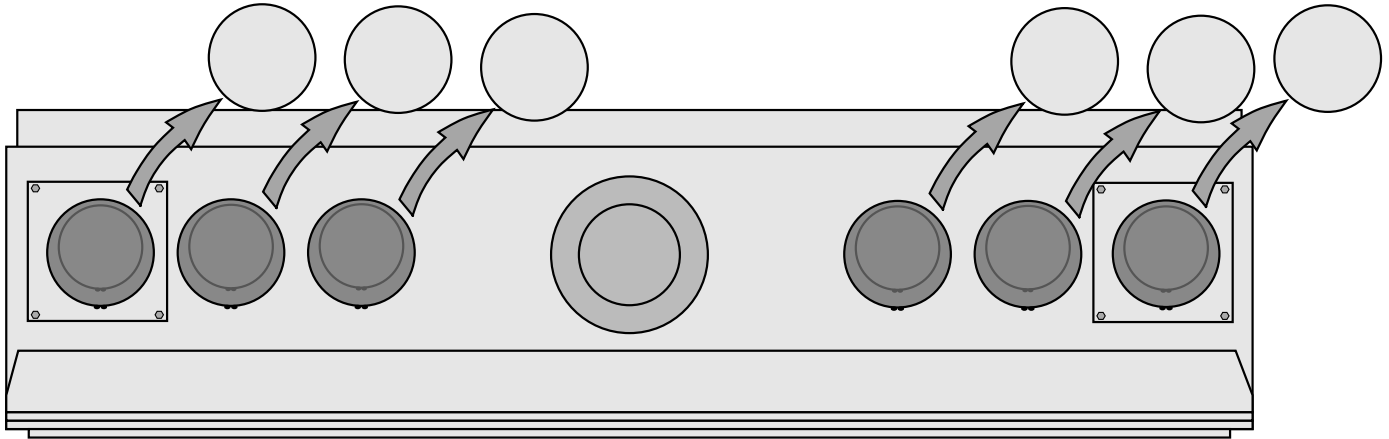




6015 HO - Knockout Removal

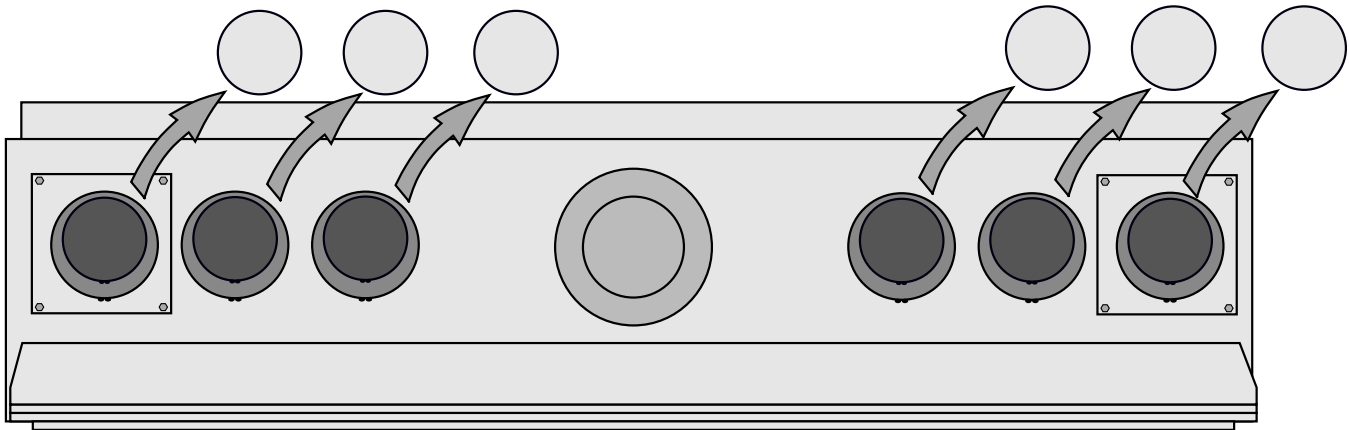
CoolSmart TV Knockouts

Remove all 6 of the 5" knockouts (leave the square cover plates in place). The knockouts below will also be removed (see instructions).



Inner Knockouts

Remove the 6 inner knockouts as well.



- 1 Use snips or diagonal cutters to snip the tab on the knockouts. Press on the far side away from the tap to pop the edge of the knockout up.

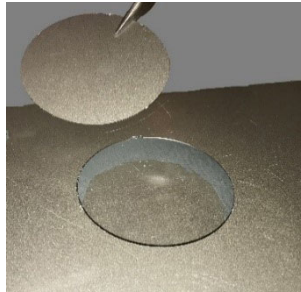




Linear Fireplace CoolSmart TV

(54PB - sku# 98900775)(72PB & 6015 HO - sku# 98900776)

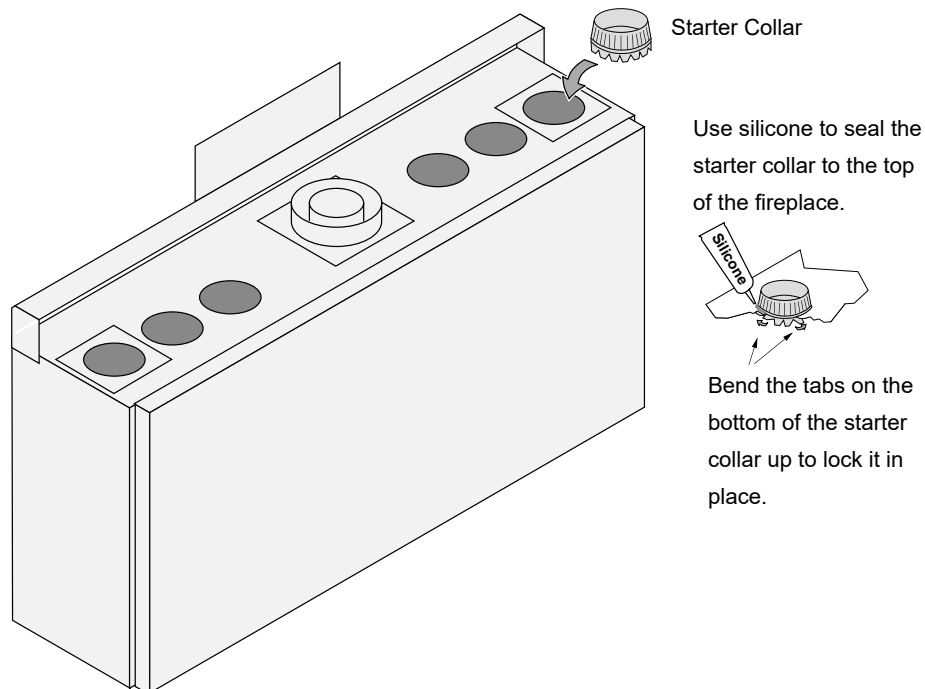
- Grab on to the knockout with pliers and bend it back and forth until the remaining tabs break free. Discard the knock out plate.



- Under each knock out plate on the outer layer of the fireplace, you will find a second knockout. Remove the inner knockout using the same method. You may discard the knockout plates.



- Insert a starter collar into each of the holes that were uncovered in the previous step and bend the tabs to secure the starter collar to the fireplace.. Seal the joints with silicone caulk or aluminum (U.L. 181A-P) tape



- Install the fireplace into the framed chase. See section "Installation" in the manual.

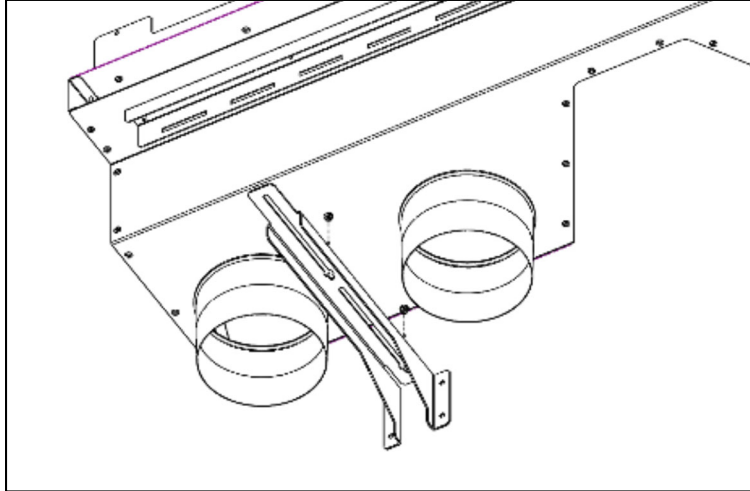


Linear Fireplace CoolSmart TV

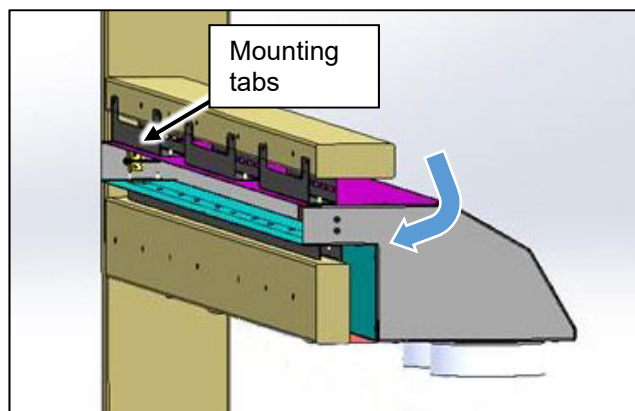
(54PB - sku# 98900775)(72PB & 6015 HO - sku# 98900776)

CoolSmart TV Kit Installation (ProBuilder & 6015HO)

- 1 Remove the grill from the manifold (2 screws hold it in place).
- 2 Remove the rear-mounting brackets by loosening 1/4" screws and sliding it out of the keyhole slots.



- 3 Determine the desired location of the bottom of the convection air outlet. Install a horizontal framing member at the desired height, parallel to the header. Install a second horizontal framing member 3-3/4" above the first. These two framing members will support the upper convection manifold in the following steps.
- 4 Hold the upper convection manifold with the outlet facing the back of the framing members installed in the previous step. Tilt the outlet of the manifold downward until the outlet of the manifold and the two mounting tabs can fit between to two framing members. Slide the outlet into the gap and allow it to sit level again. The two mounting tabs will support the manifold.

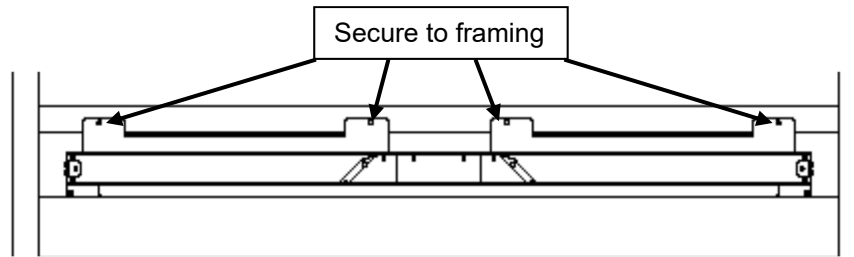




Linear Fireplace CoolSmart TV

(54PB - sku# 98900775)(72PB & 6015 HO - sku# 98900776)

- Secure the manifold to the upper framing using screws (not included).



- Re-attach the two rear mounting brackets (removed in step 6) to the bottom of the convection manifold. Leave the screws loose so the brackets can be positioned to the back of the chase. Secure the brackets to the chase using screws (not included). Tighten the screws securing the brackets to the manifold.



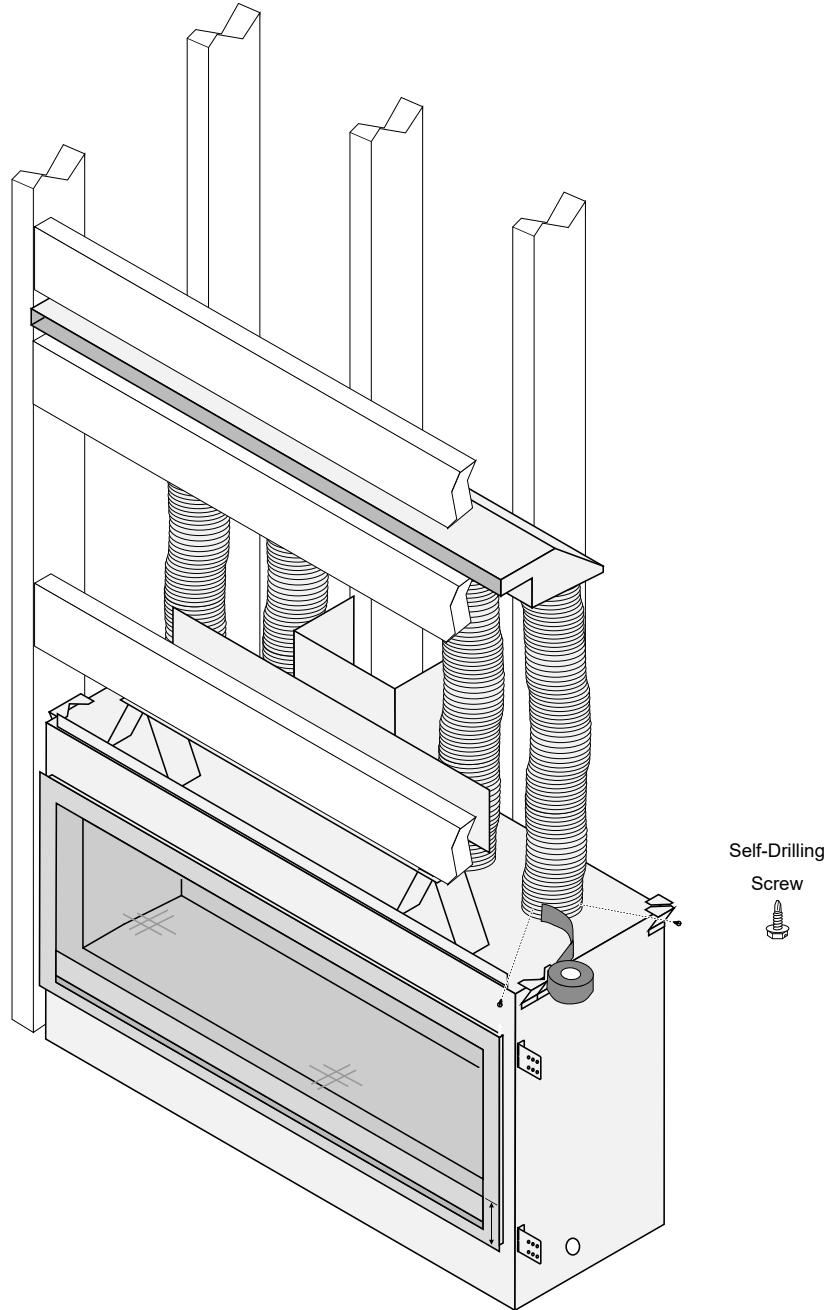
- Remove the knockouts from the top of the fireplace (4 on the 54PB, 6 on the 72PB & 6015HO)



Linear Fireplace CoolSmart TV

(54PB - sku# 98900775)(72PB & 6015 HO - sku# 98900776)

- 8 Stretch the included flex to its maximum length. Measure the distance between the starter collars on the fireplace and the inlets on the convection manifold. Cut the flex to the appropriate length and install between the fireplace and the manifold. Secure using (3) screws at every connection and seal the joints with silicone caulk or aluminum (U.L. 181A-P) tape.



- 9 Cover the face of the fireplace and the outlet of the manifold to ensure no construction debris or sheetrock dust enters the unit.
- 10 Once all finish work is complete around the outlet of the manifold, install the outlet grill assembly using the two included screws (one at each end). The grill assembly will overlap finish material up to 1-1/2" thick. See fireplace installation manual for finishing details.

NOTE: The manifold opening protrudes 7/16" proud of the framing. The wall may be finished to the opening if you do not wish to use the grill trim.



Linear Fireplace CoolSmart TV

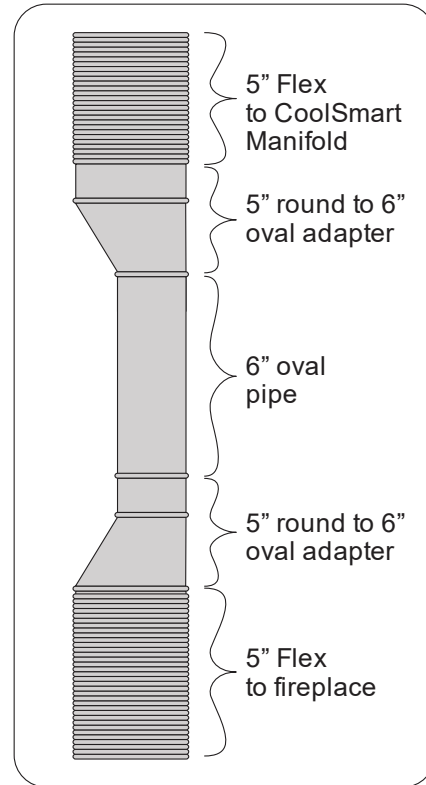
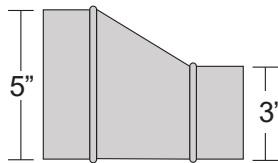
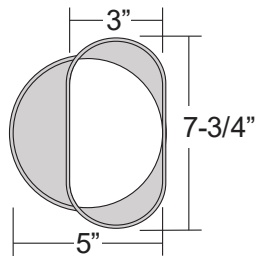
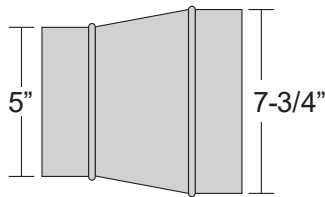
(54PB - sku# 98900775)(72PB & 6015 HO - sku# 98900776)

Using oval pipe to get past an obstruction

If a situation arises that obstructs the CoolSmart flex vent runs (such as getting past a minimum sideways vent) you may transition the 5" flex vent to a ridged nominal 6" oval pipe to get past the obstruction. Transition back to the 5" round flex and continue to the manifold.

The adapters and ridged pipe should be factory ovalized, not field ovalized.

NOTE: All clearances to combustibles must be maintained.

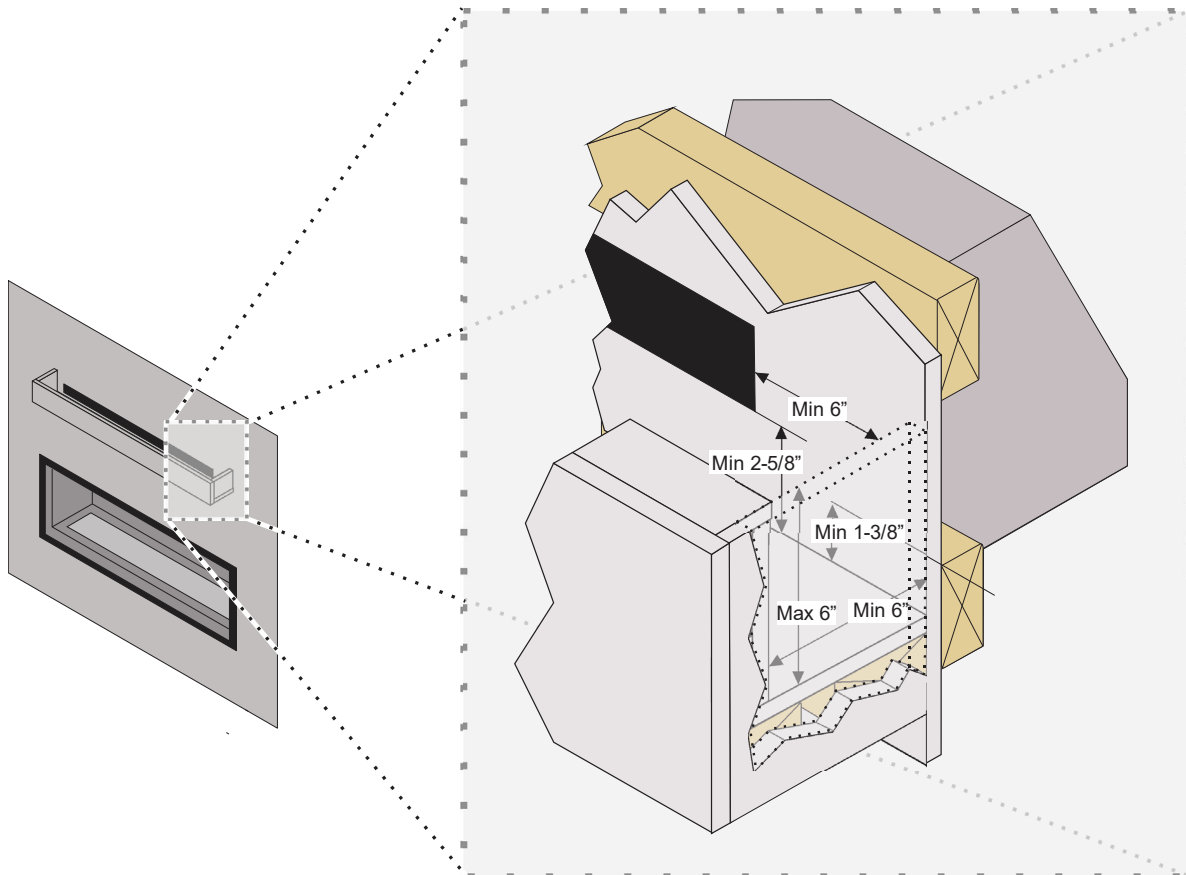




Custom Valance to Disguise Outlet – (Optional)

A custom valance may be constructed to obscure the view of the manifold outlet. If using a valance it must meet the following requirements.

- The valance may be constructed of non-combustible or combustible material. All clearances must be maintained regardless of material.
- The top surface of the valance floor must be a minimum of 1-3/8" (35mm) below the top edge of the lower framing for the manifold (approx. 2-5/8" (67mm) from the bottom of the manifold outlet).
- The distance from the front of the manifold opening to the inside surface of the front of the valance must be a minimum of 6" (153mm).
- The front wall of the valance can be a maximum of 6" (153mm) tall (see illustration below).
- If the valance has an end cap, the inner surface of the end cap must be a minimum of 6" (153mm) from the manifold outlets edge.



NOTE: Do not place anything in the valance (artwork, decorations, etc.). Placement of items on the valance could obstruct the airflow and create a hazardous condition.