



# CoolSmart TV

4415 HO

SKU# 98900779

## Compatibility

- 4415 HO (sn# 3212-011710 or later)

**NOTE:** A power heat duct kit may also be available for this appliance. If so, you may use either the power heat vent kit(s) or the CoolSmart TV kit, but not both. See appliance installation manual for details.

## Table of Contents

Compatibility .....	1
Packing List .....	1
4415 HO Linear – Details .....	2
4415 HO Linear - Installation Overview .....	2
4415 HO - Installation Requirements.....	3
4415 HO - Combustible “Over-Facing” (Optional) .....	4
4415 HO - Flush Facing Header Configuration and Facing .....	5
4415 HO - Framing the Chase.....	6
4415 HO - Fireplace Preparation.....	7
4415 HO – Mantel Clearances.....	11
CoolSmart TV Installation.....	12
Using oval pipe to get past an obstruction.....	16
Custom Valance to Disguise Outlet – (Optional) .....	17

## Packing List

- Convection Manifold (with grill and mounting brackets pre-attached)
- (4) 5” Diameter Aluminum Flex Ducts
- (4) Starter Collars
- (36) Self-Drilling Tek Screws
- (2) Extended Support Brackets



# CoolSmart TV

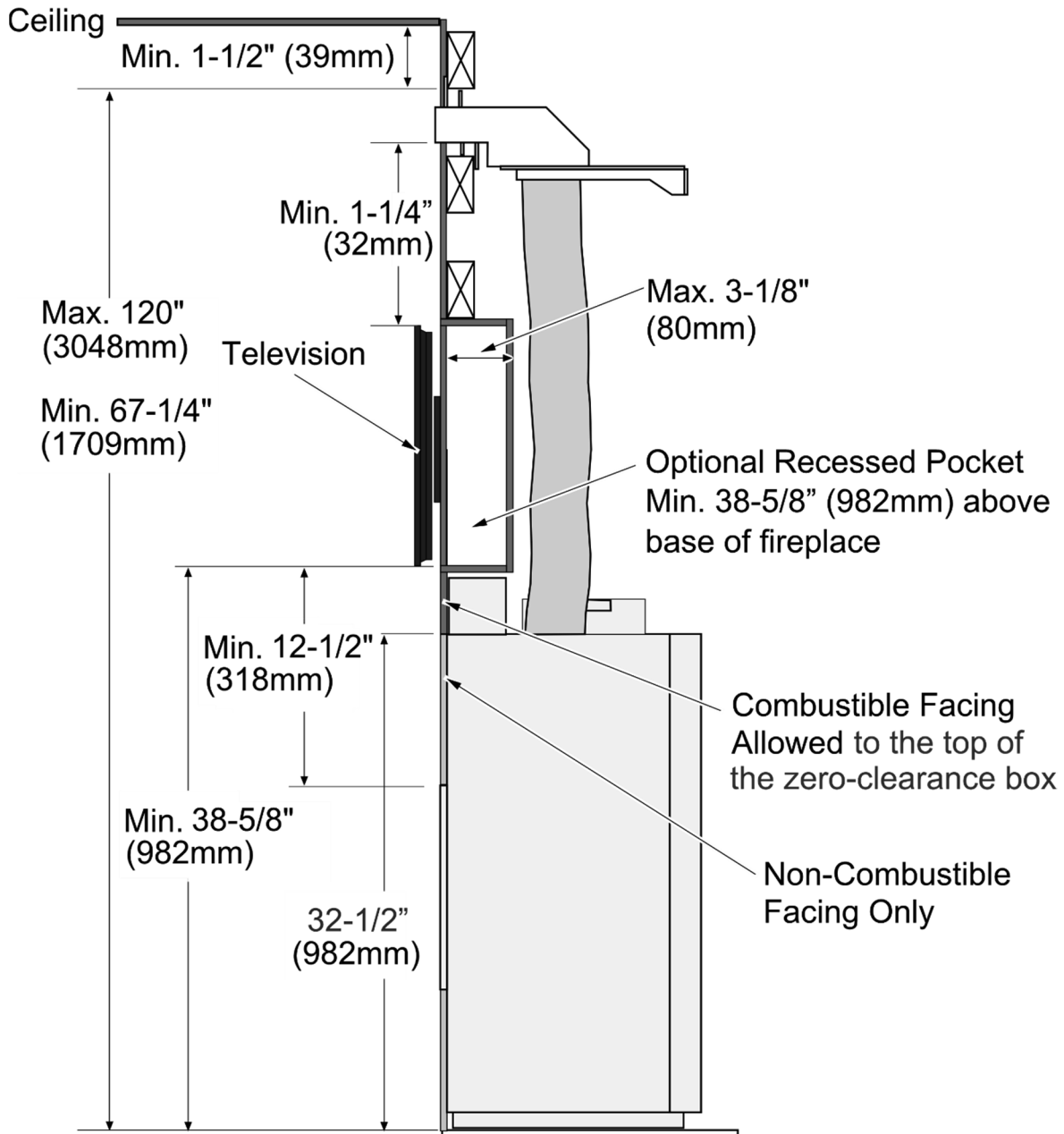
4415 HO

SKU# 98900779

## 4415 HO Linear – Details

### 4415 HO Linear - Installation Overview

The CoolSmart system is designed to redirect the convective heat of the fireplaces from the front of the unit, just above the glass, to a location higher on the wall. The use of this kit allows for reduced clearances to televisions and a recessed cavity above the fireplace. When using this kit, disregard the standard framing dimensions and follow the framing instructions for the CoolSmart kit.



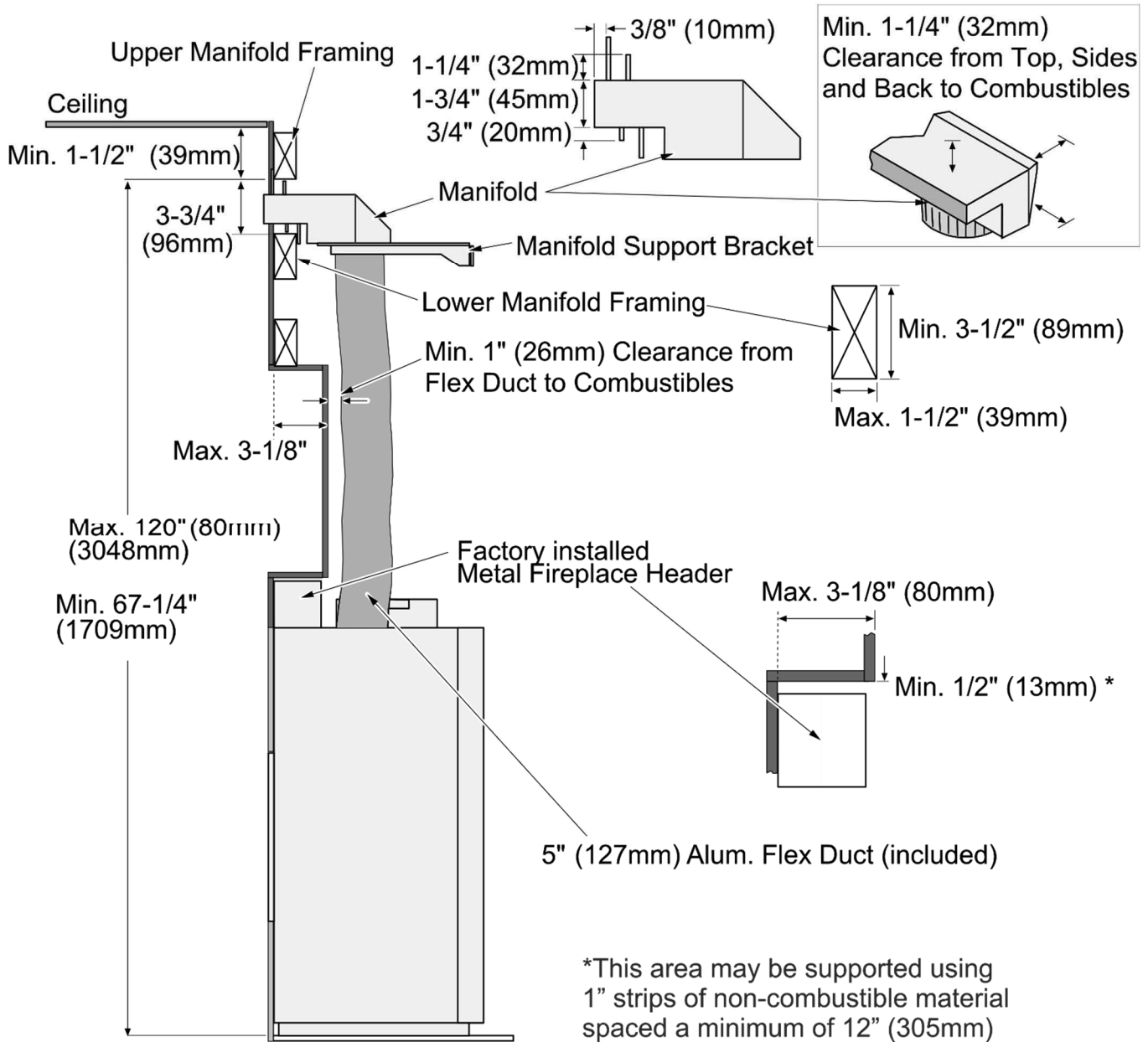


# CoolSmart TV

4415 HO

SKU# 98900779

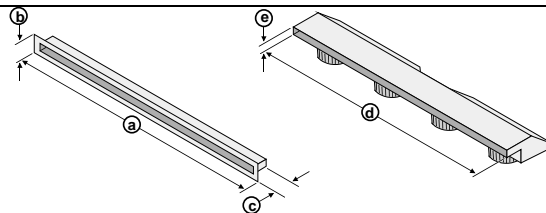
## 4415 HO - Installation Requirements



### Grill and Manifold Dimensions

The grill may be installed over the facing to provide an aesthetic opening for the convection outlet. (2) 8-32 x 1-1/2" screws attach the trim to the upper manifold. This allows variable thickness of finish material.

### Dimensions



a	b	c	d	e
42" (1067mm)	2-7/8" (74mm)	1-1/4" (32mm)	41" (1042mm)	1-3/4" (45mm)



# CoolSmart TV

4415 HO

Sku# 98900779

## 4415 HO - Combustible "Over-Facing" (Optional)



### WARNING



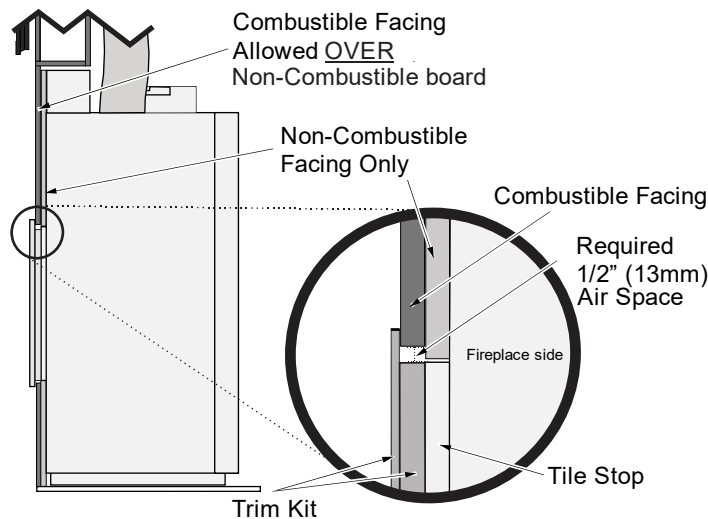
When using the CoolSmart TV kit, Combustible material can be installed over the non-combustible board on the front of the fireplace. To be clear, there will be (2) layers of board over the front of the appliance, one **non-combustible that covers the entire front of the fireplace**, and a second layer that can be combustible material that is placed on top of the non-combustible board.

**The combustible material MUST be installed OVER 1/2" of non-combustible board.**

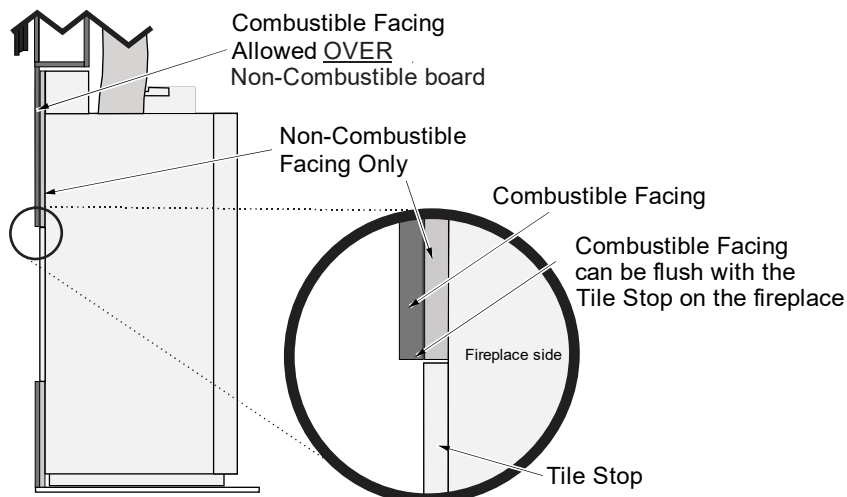
**WARNING:** If using a trim kit or the Gallery face, a 1/2 " air space is required from all four sides of the tile stop on the fireplace. If no trim is being used, the airspace is not required (see below for details).

**NOTE:** The maximum facing depth (combustible + non-combustible facing) is 1-1/4". Any facing that extends farther than 1-1/4" must meet mantel clearances.

### Over Facing WITH Trim Kit



### Over Facing WITH OUT Trim Kit



**WARNING:** The front of the appliance is subject to high temperatures which may cause discoloration and/or material degradation. Take this into account when choosing finishing materials.



# CoolSmart TV

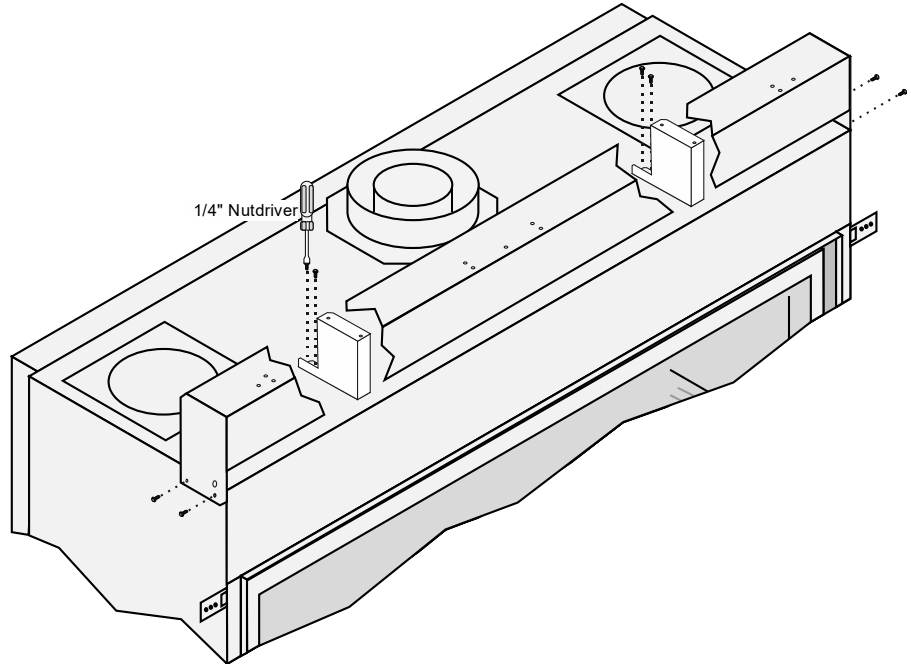
4415 HO

SKU# 98900779

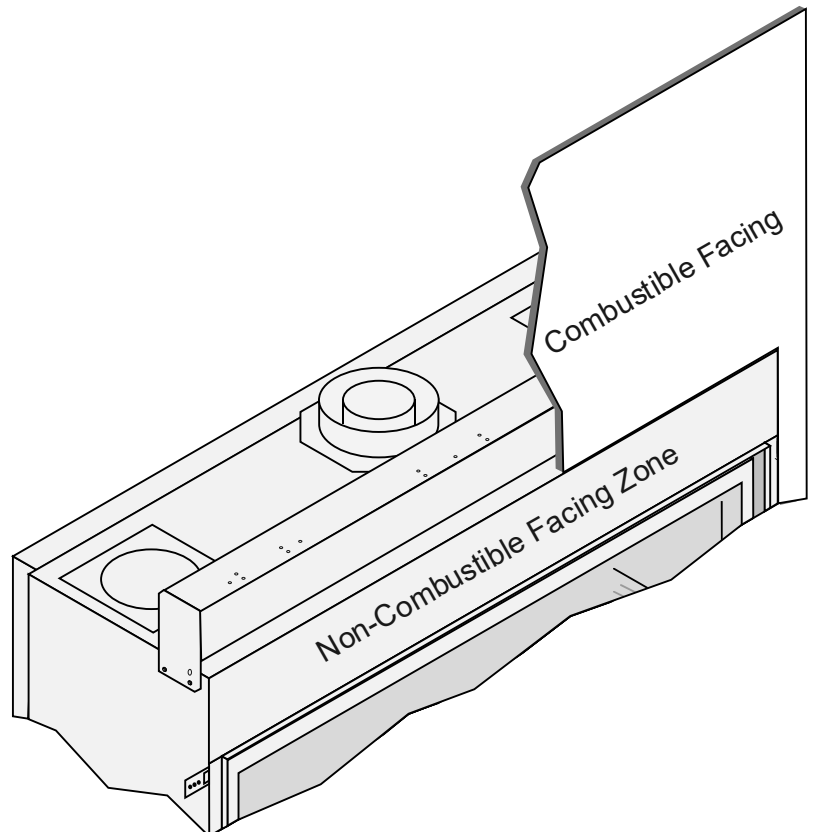
## 4415 HO - Flush Facing Header Configuration and Facing

For installations where only non-combustible facing will cover the front of the appliance, the metal header can be moved back 1/2" to accommodate drywall installed flush with the front of the fireplace. The drywall can contact the top 1/2" of the fireplace top.

- Use a 1/4" nut driver to remove the (8) screws that secure the header assembly to the top of the fireplace
- Slide the header assembly back 1/2".
- Align the header assembly with the second set of holes in the fireplace. Reattach the assembly to the fireplace (use the screws removed in the first step).



**WARNING:** For flush installations, combustible facing can touch the first 1/2" of the fireplace box. **ONLY NON-COMBUSTIBLE FACING** can cover the front of the appliance.



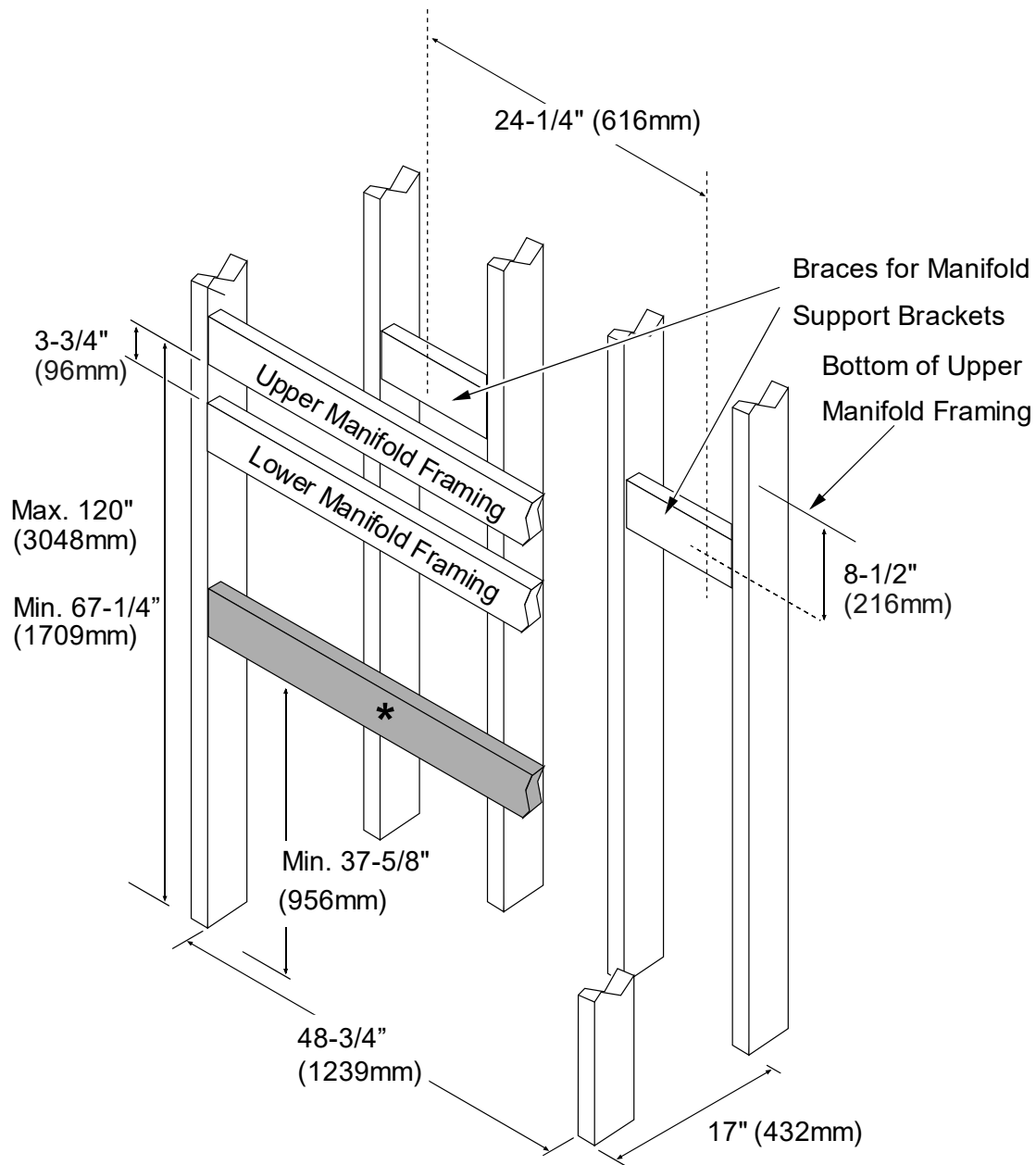


# CoolSmart TV

4415 HO

SKU# 98900779

## 4415 HO - Framing the Chase



\* The dark-shaded framing may be installed after the fireplace is put into position. It is used to provide support for the facing above the fireplace and nailing brackets.



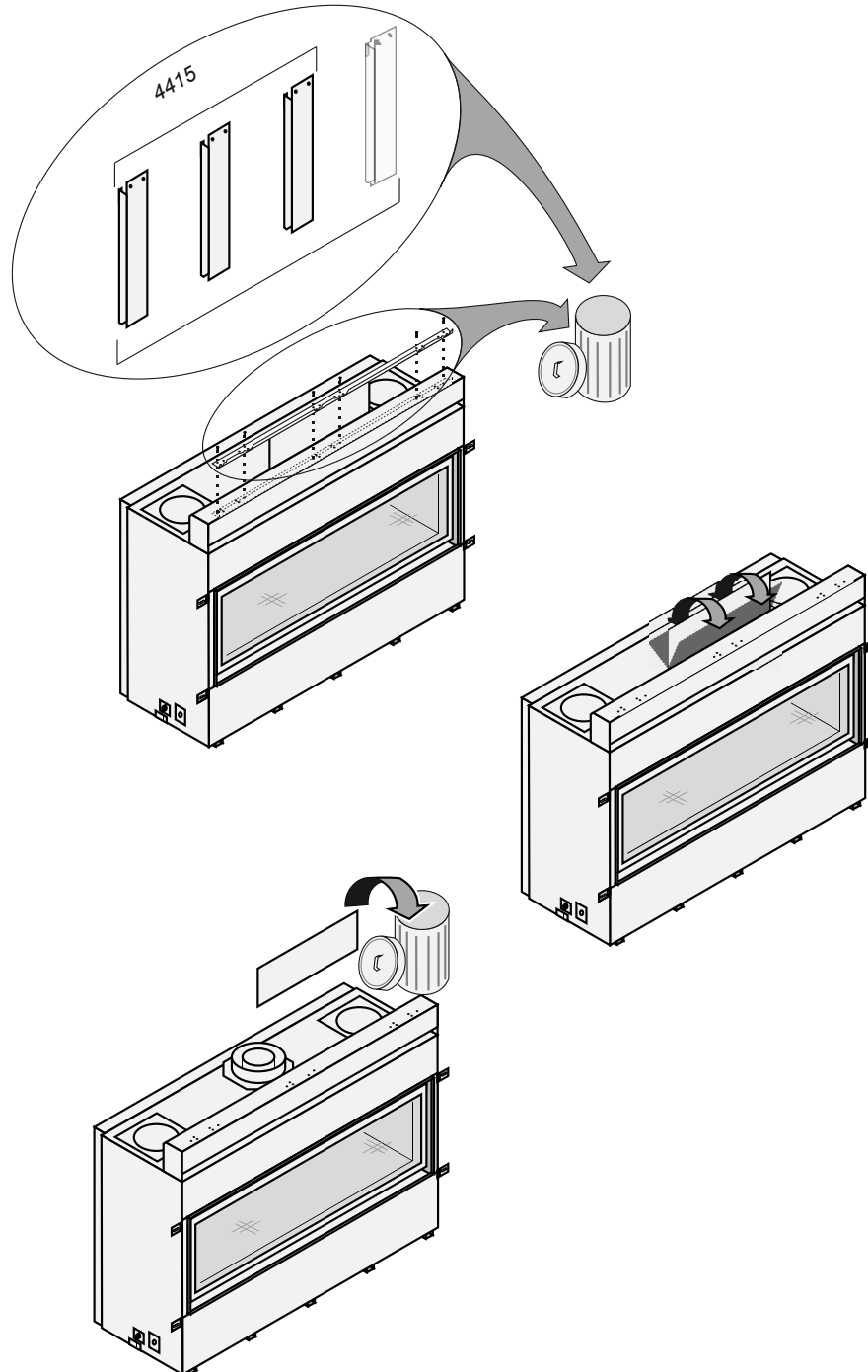
# CoolSmart TV

4415 HO

SKU# 98900779

## 4415 HO - Fireplace Preparation

- When using the CoolSmart TV kit, you may discard the metal framing members included with the fireplace (4415 has (3)).
- Remove the screws that secure the sheetrock backer ("L" shaped metal bracket secured to the metal header of the unit) and discard the backer (see first illustration below). Bend the pipe heat shield back and forth until it snaps off of the metal header. Discard the heat shield (see middle and right illustrations below).





# CoolSmart TV

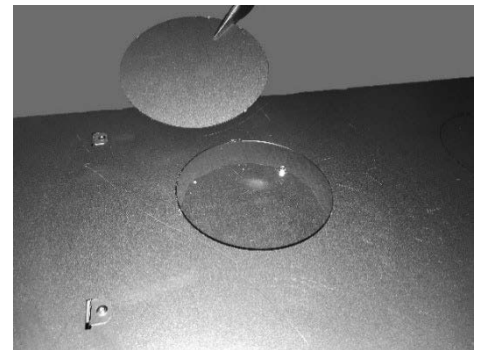
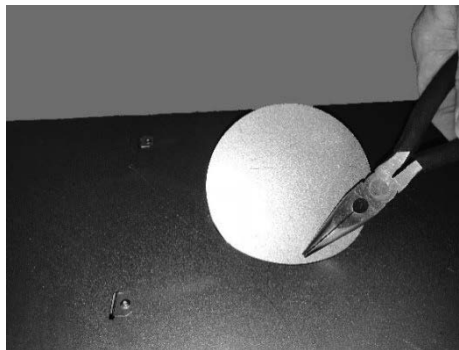
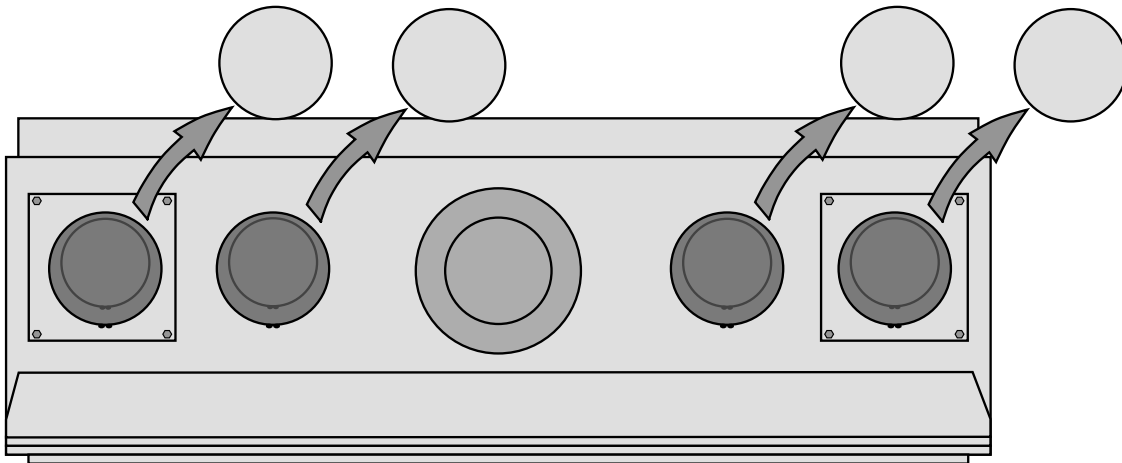
4415 HO

Sku# 98900779

**WARNING:** In order to extract the heat properly from around the firebox, you will must remove (4) layers of cover plates for each of the (4) flex attachment points on the top of the fireplace. Not removing all of the cover plates can create hazardous conditions.

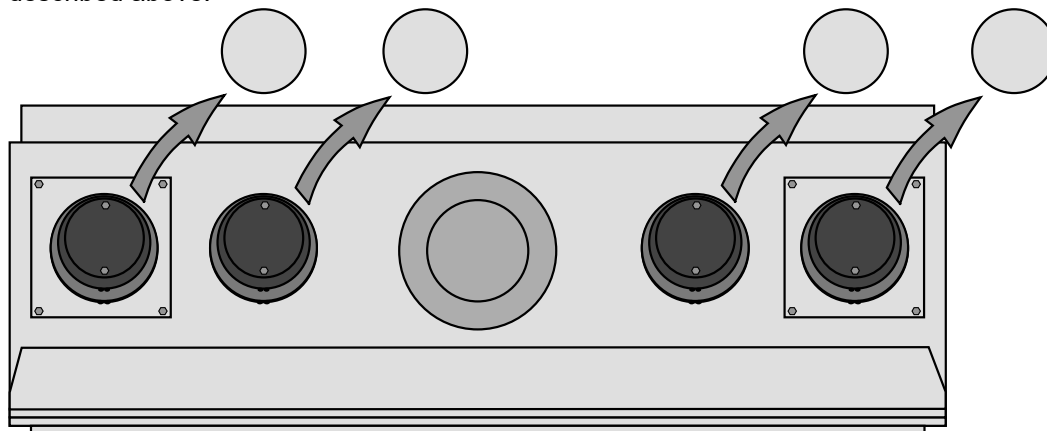
## First Layer

- Remove all (4) of the 5" knockouts (leave the square cover plates in place). Use snips or diagonal cutters to snip the tab on the knockouts. Press on the far side away from the tab to pop the edge of the knockout up. Grab on to the knockout with pliers and bend it back and forth until the remaining tabs break free. Discard the knock out plate.



## Second Layer

- In each of the four holes, you will see the next layer of knockouts. Remove the knockouts using the same technique described above.







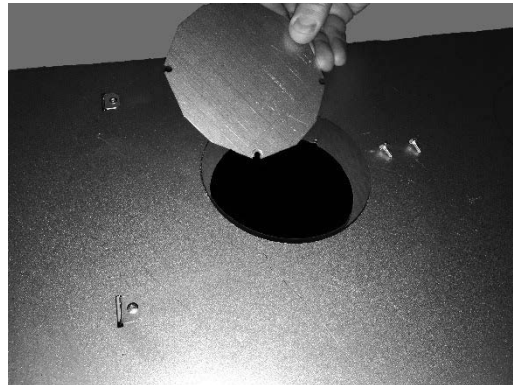
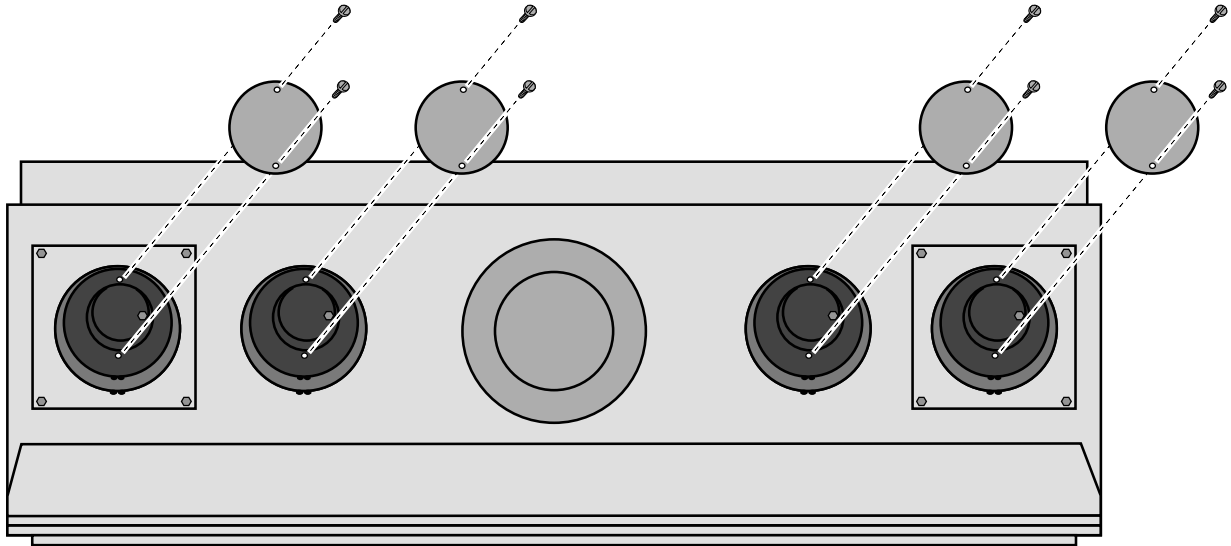
# CoolSmart TV

4415 HO

SKU# 98900779

## Third Layer

- Under the second layer of knockout plates, you will find cover plates held in place with (2) 1/4" screws. Use a nut driver or drill with an extension to remove the (2) screws. Reach in and remove the cover plate. You may discard the plates.





# CoolSmart TV

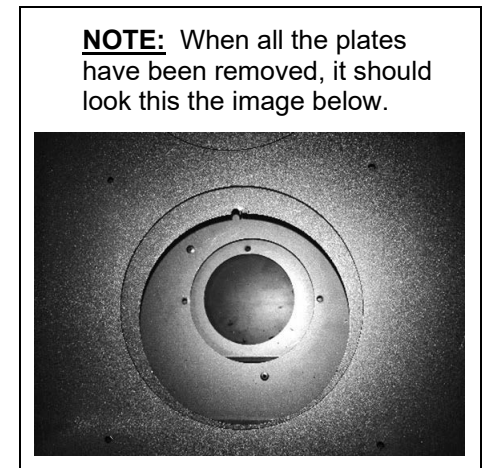
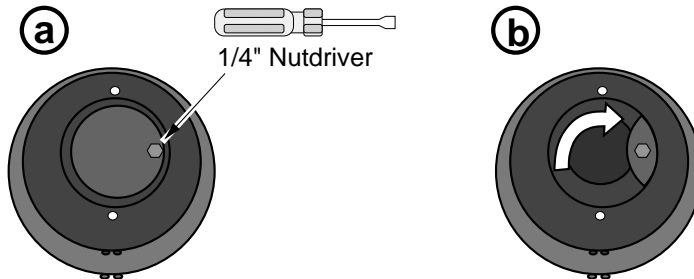
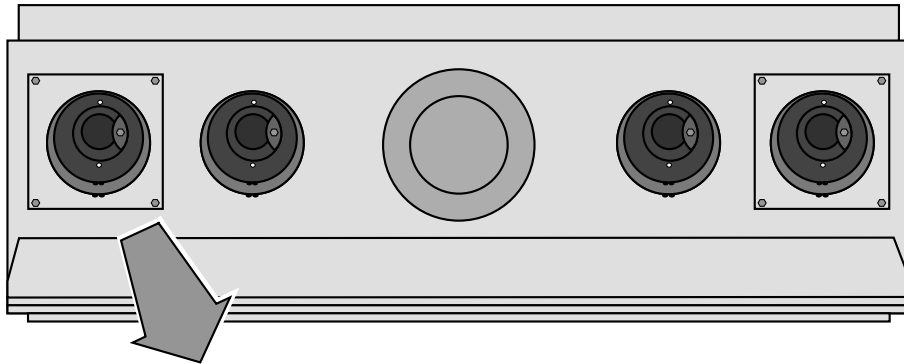
4415 HO

SKU# 98900779

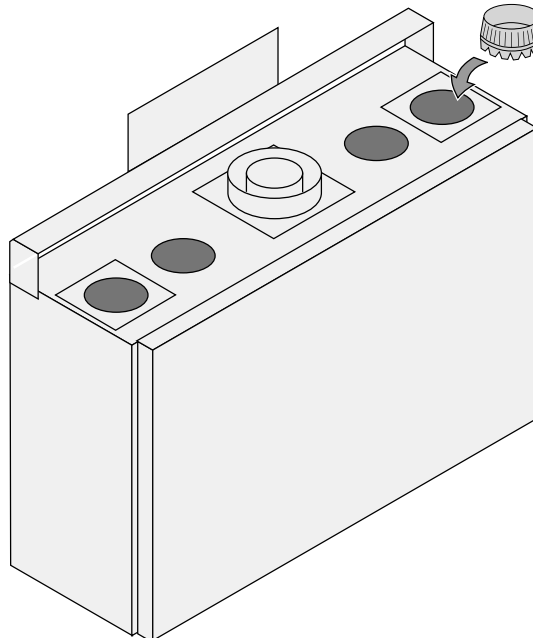
## Fourth (final) Layer

- Once the third layer is removed, a final cover plate will be visible. Use a 1/4" nutdriver to loosen the screw securing the plate. Reach in and rotate the cover plate to uncover the final hole.

**NOTE:** The final plate does not get removed from the fireplace, just rotated to uncover the hole. Once the plate has been rotated, tighten the screw to lock the plate in place.

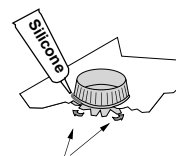


- Install the starter collars onto the fireplace (see below).



Starter Collar

Use silicone to seal the starter collar to the top of the fireplace.



Bend the tabs on the bottom of the starter collar up to lock it in place.

- Install the fireplace into the framed chase. See section "Installation" in the manual.



# CoolSmart TV

4415 HO

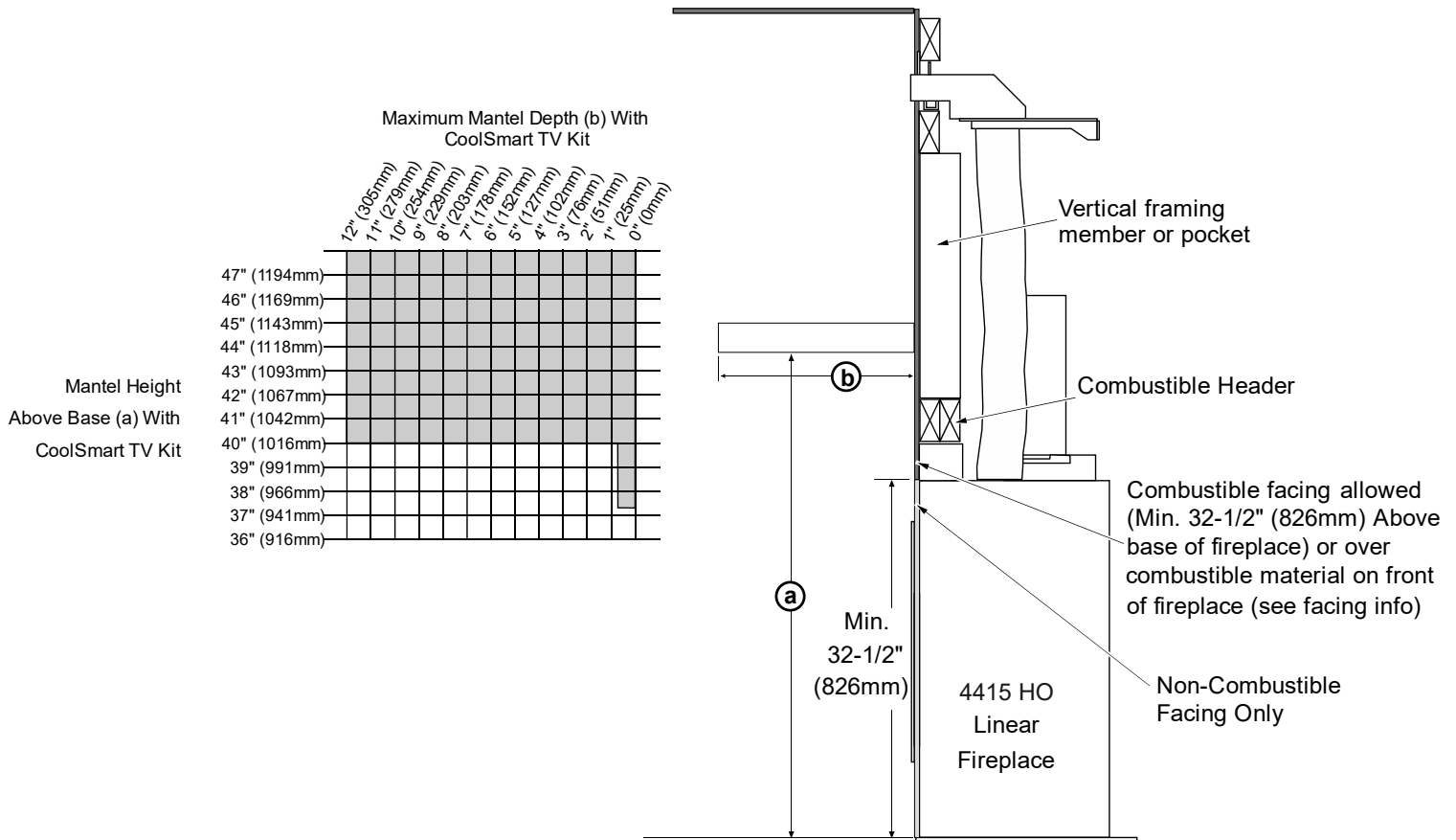
SKU# 98900779

## 4415 HO – Mantel Clearances

When using this kit, disregard the combustible mantel requirements in the manual and follow the requirements shown to the right.

If you wish to place a TV above the mantel, it must meet the following requirements:

- Minimum 1" air gap behind TV to wall.
- The mantel must extend 2" in front of the TV and 1" to both sides.





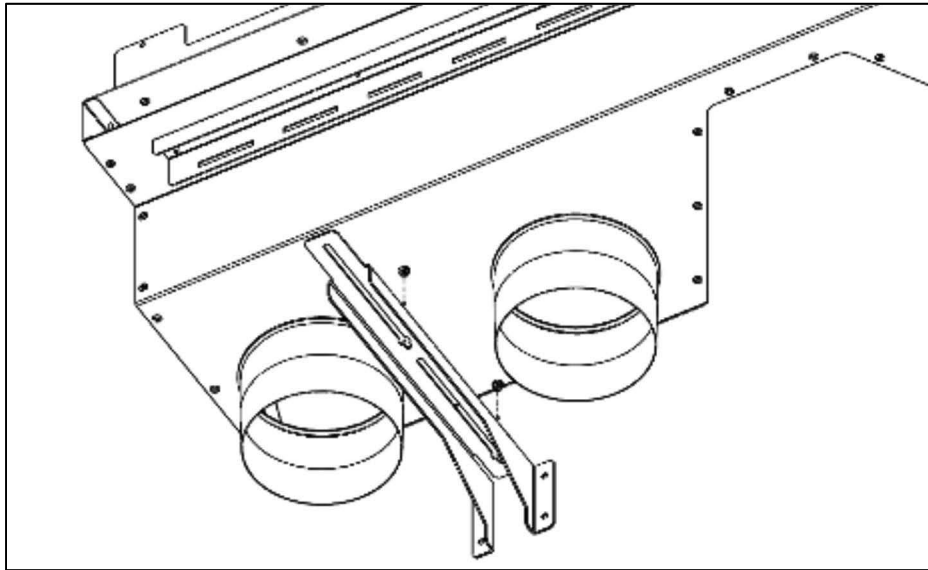
# CoolSmart TV

4415 HO

Sku# 98900779

## CoolSmart TV Installation

1. Remove the grill from the manifold (2 screws hold it in place).
2. Remove the rear-mounting brackets by loosening 1/4" screws and sliding it out of the keyhole slots.



3. Determine the desired location of the bottom of the convection air outlet. Install a horizontal framing member at the desired height, parallel to the header. Install a second horizontal framing member 3-3/4" above the first. These two framing members will support the upper convection manifold in the following steps.

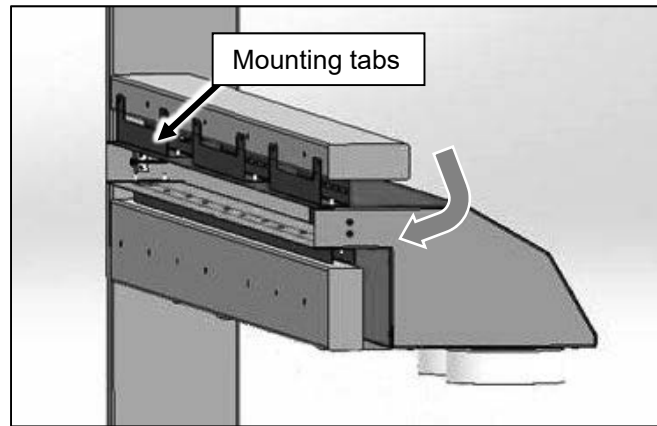


# CoolSmart TV

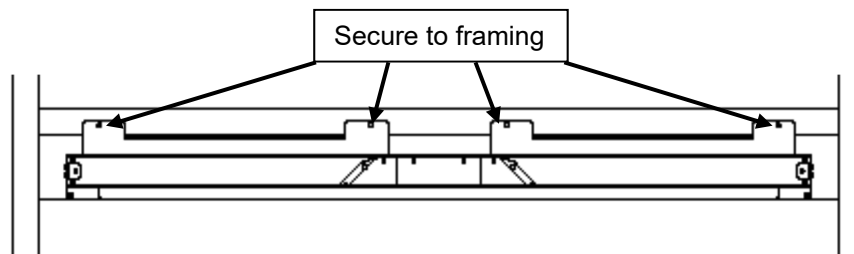
4415 HO

Sku# 98900779

4. Hold the upper convection manifold with the outlet facing the back of the framing members installed in the previous step. Tilt the outlet of the manifold downward until the outlet of the manifold and the two mounting tabs can fit between to two framing members. Slide the outlet into the gap and allow it to sit level again. The two mounting tabs will support the manifold.



5. Secure the manifold to the upper framing using screws (not included).





# CoolSmart TV

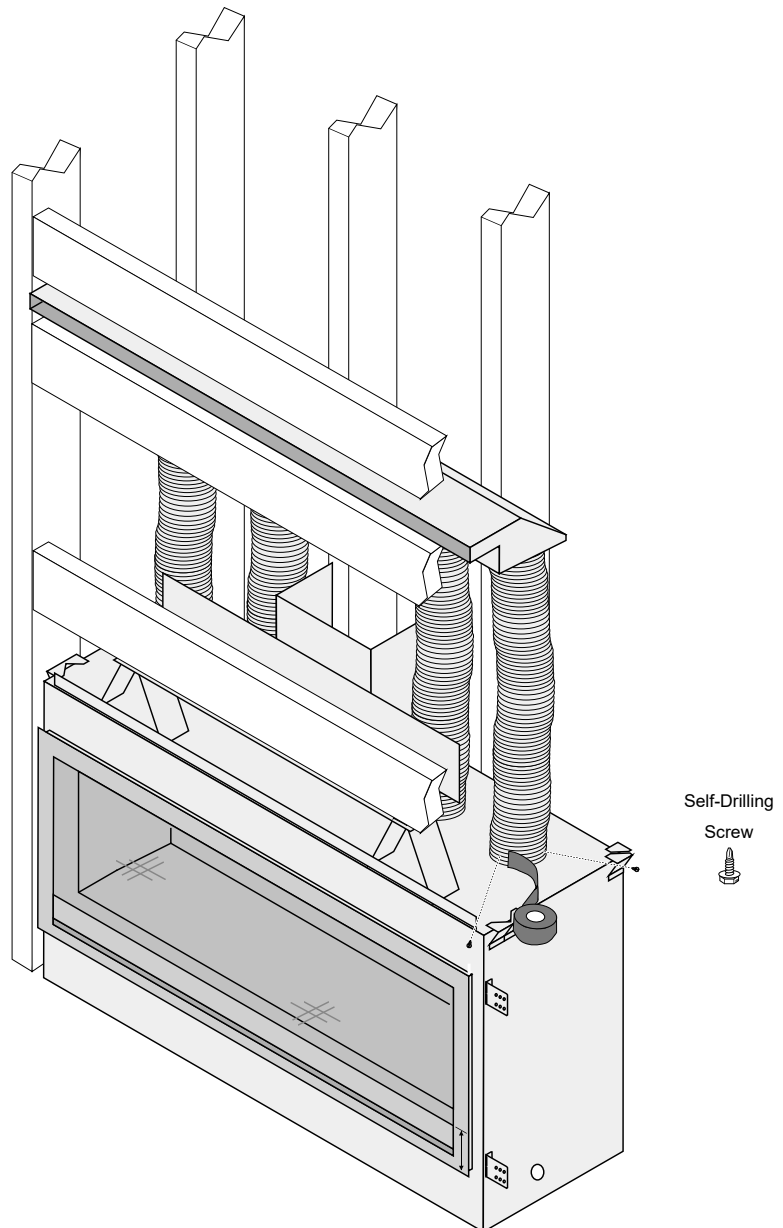
4415 HO

SKU# 98900779

6. Re-attach the two rear mounting brackets (removed in step 6) to the bottom of the convection manifold. Leave the screws loose so the brackets can be positioned to the back of the chase. Secure the brackets to the chase using screws (not included). Tighten the screws securing the brackets to the manifold.



7. Stretch the included flex to its maximum length. Measure the distance between the starter collars on the fireplace and the inlets on the convection manifold. Cut the flex to the appropriate length and install between the fireplace and the manifold. Secure using (3) screws at every connection and seal the joints with silicone caulk or aluminum (U.L. 181A-P) tape.





# CoolSmart TV

4415 HO

SKU# 98900779

---

8. Cover the face of the fireplace and the outlet of the manifold to ensure no construction debris or sheetrock dust enters the unit.
9. Once all finish work is complete around the outlet of the manifold, install the outlet grill assembly using the two included screws (one at each end). The grill assembly will overlap finish material up to 1-1/2" (39mm) thick. See fireplace installation manual for finishing details.

**NOTE:** The manifold opening protrudes 7/16" (12mm) proud of the framing. The wall may be finished to the opening if you do not wish to use the grill trim.



# CoolSmart TV

4415 HO

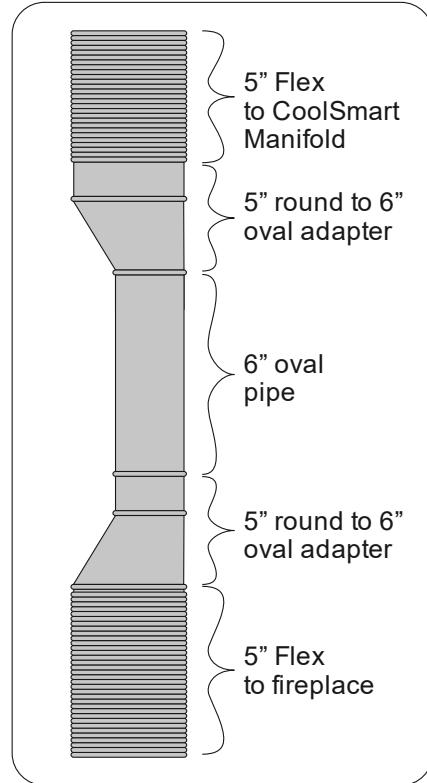
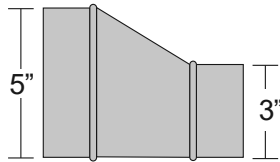
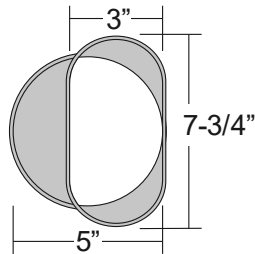
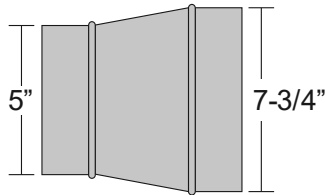
SKU# 98900779

## Using oval pipe to get past an obstruction

If a situation arises that obstructs the CoolSmart flex vent runs (such as getting past a minimum sideways vent) you may transition the 5" flex vent to a ridged nominal 6" oval pipe to get past the obstruction. Transition back to the 5" round flex and continue to the manifold.

The adapters and ridged pipe should be factory ovalized, not field ovalized.

NOTE: All clearances to combustibles must be maintained.







# CoolSmart TV

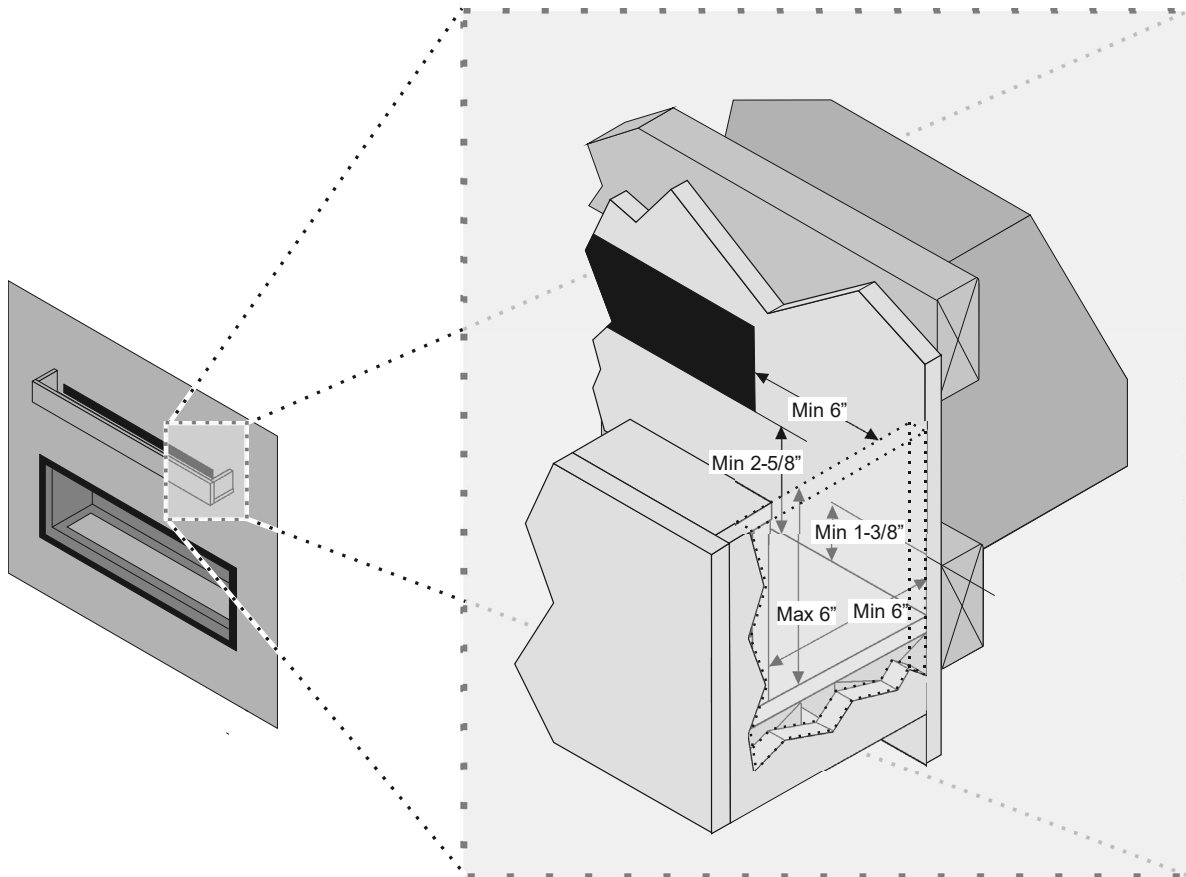
4415 HO

SKU# 98900779

## Custom Valance to Disguise Outlet – (Optional)

A custom valance may be constructed to obscure the view of the manifold outlet. If using a valance it must meet the following requirements.

- The valance may be constructed of non-combustible or combustible material. All clearances must be maintained regardless of material.
- The top surface of the valance floor must be a minimum of 1-3/8" (35mm) below the top edge of the lower framing for the manifold (approx. 2-5/8" (67mm) from the bottom of the manifold outlet).
- The distance from the front of the manifold opening to the inside surface of the front of the valance must be a minimum of 6" (153mm).
- The front wall of the valance can be a maximum of 6" (153mm) tall (see illustration below).
- If the valance has an end cap, the inner surface of the end cap must be a minimum of 6" (153mm) from the manifold outlets edge.



**NOTE:** Do not place anything in the valance (artwork, decorations, etc.). Placement of items on the valance could obstruct the airflow and create a hazardous condition.