



# CoolSmart TV

564 35K

(sku# 98900778)

## Compatibility

- 564 35K (Std. or CF)

## Packing List

- (1) Convection Manifold (with grill and mounting brackets pre-attached)
- (2) Starter Collars
- (12) Self-Drilling Tek Screws
- (2) 5" Diameter Aluminum Flex Ducts

**NOTE:** A power heat duct kit may also be available for this appliance. If so, you may use either the power heat vent kit(s) or the CoolSmart TV kit, but not both. See appliance installation manual for details.

## Table of Contents

Table of Contents .....	1
Grill and Manifold Dimensions .....	2
564 35K - Installation Overview .....	3
564 35K - Installation Requirements .....	4
564 35K - Framing the Chase .....	5
564 35K - Fireplace Preparation .....	6
564 35K - Reduced Mantel Height.....	9
CoolSmart TV Installation.....	10
Using oval pipe to get past an obstruction .....	13
Custom Valance to Disguise Outlet – (Optional) .....	14



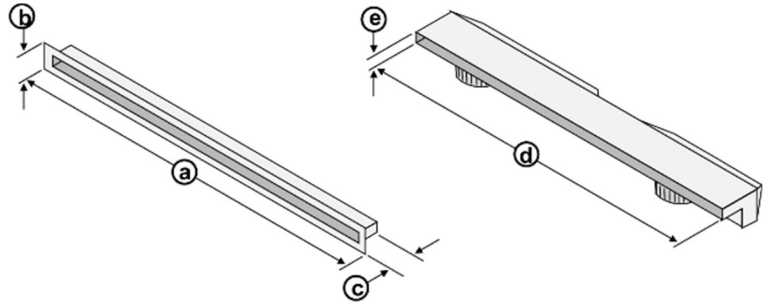
# CoolSmart TV

564 35K

(sku# 98900778)

## Grill and Manifold Dimensions

The grill may be installed over the facing to provide an aesthetic opening for the convection outlet. (2) 8-32 x 1-1/2" screws attach the trim to the upper manifold. This allows variable thickness of finish material.

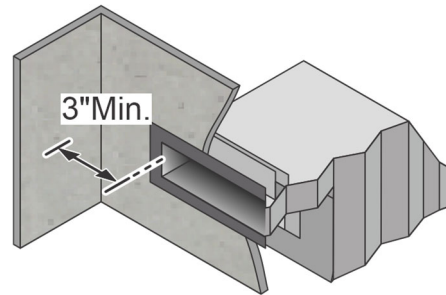


## Dimensions

a	b	c	d	e
35-7/8" (912mm)	2-7/8" (74mm)	1-1/4" (32mm)	34-7/8" (886mm)	1-3/4" (45mm)

## Sidewall Clearance

The distance from the manifold outlet to a sidewall (combustible or non-combustible) is 3" minimum. See the Installation requirements section specific to the appliance you are installing for additional clearances and requirements.





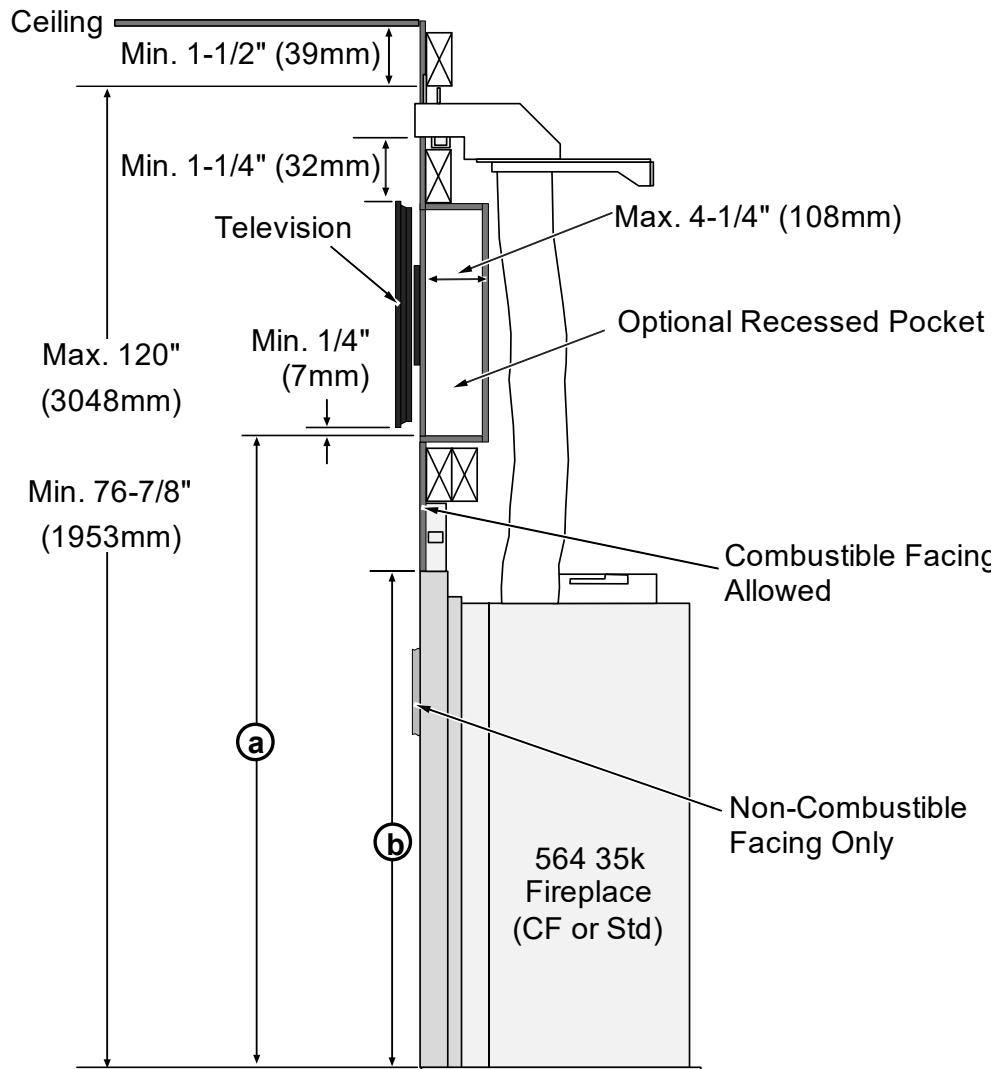
# CoolSmart TV

564 35K

(sku# 98900778)

## 564 35K - Installation Overview

The CoolSmart system is designed to redirect the convective heat of the fireplaces from the front of the unit, just above the glass, to a location higher on the wall. The use of this kit allows for reduced clearances to televisions and a recessed cavity above the fireplace. When using this kit, disregard the standard framing dimensions and follow the framing instructions for the CoolSmart kit.



	564 35K CleanFace	564 35K Standard
<b>a</b>	47-3/8" (1203mm)	47-3/8" (1203mm)
<b>b</b>	33-1/8" (842mm)	30-1/4" (769mm)

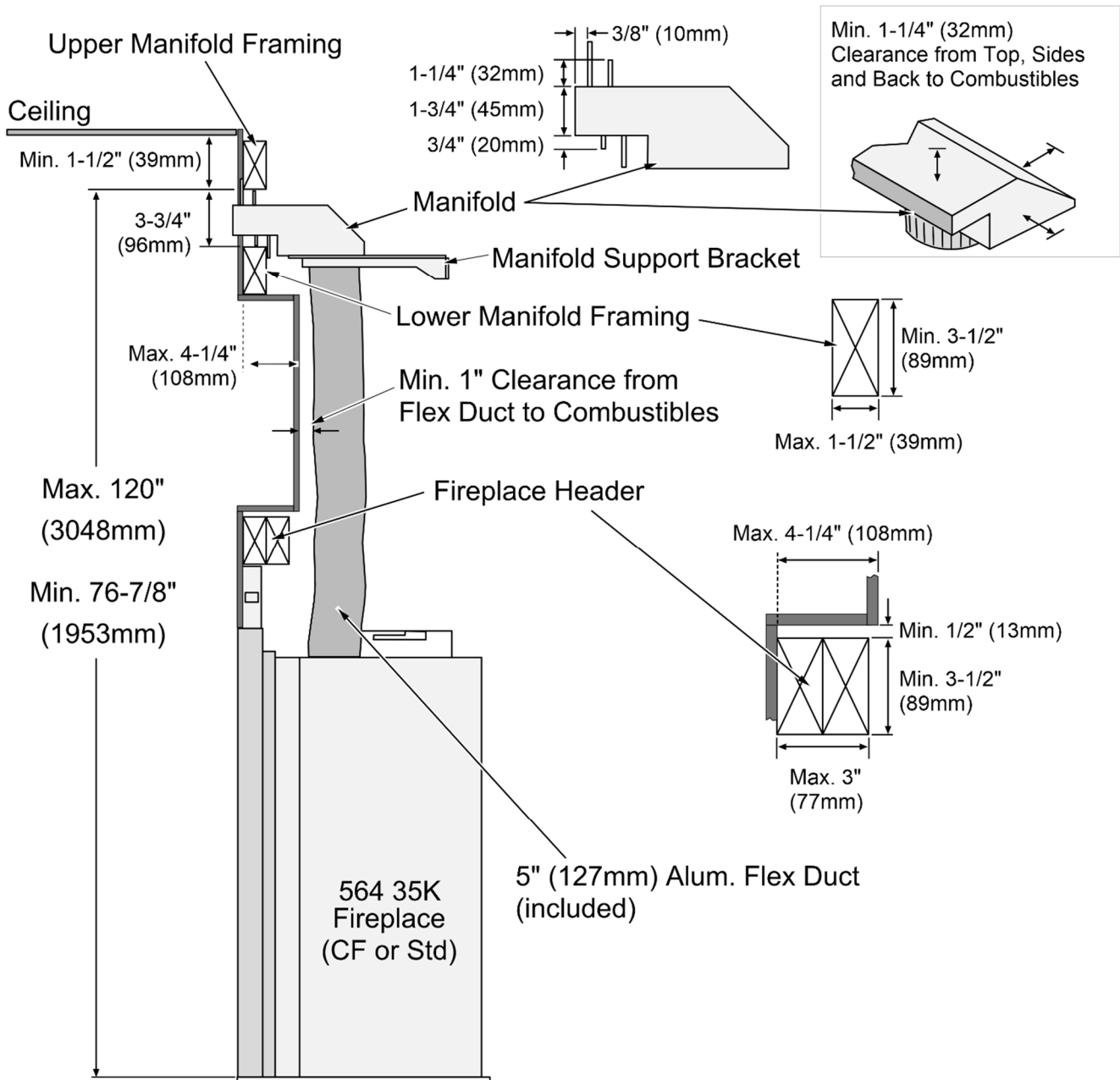


# CoolSmart TV

564 35K

(sku# 98900778)

## 564 35K - Installation Requirements





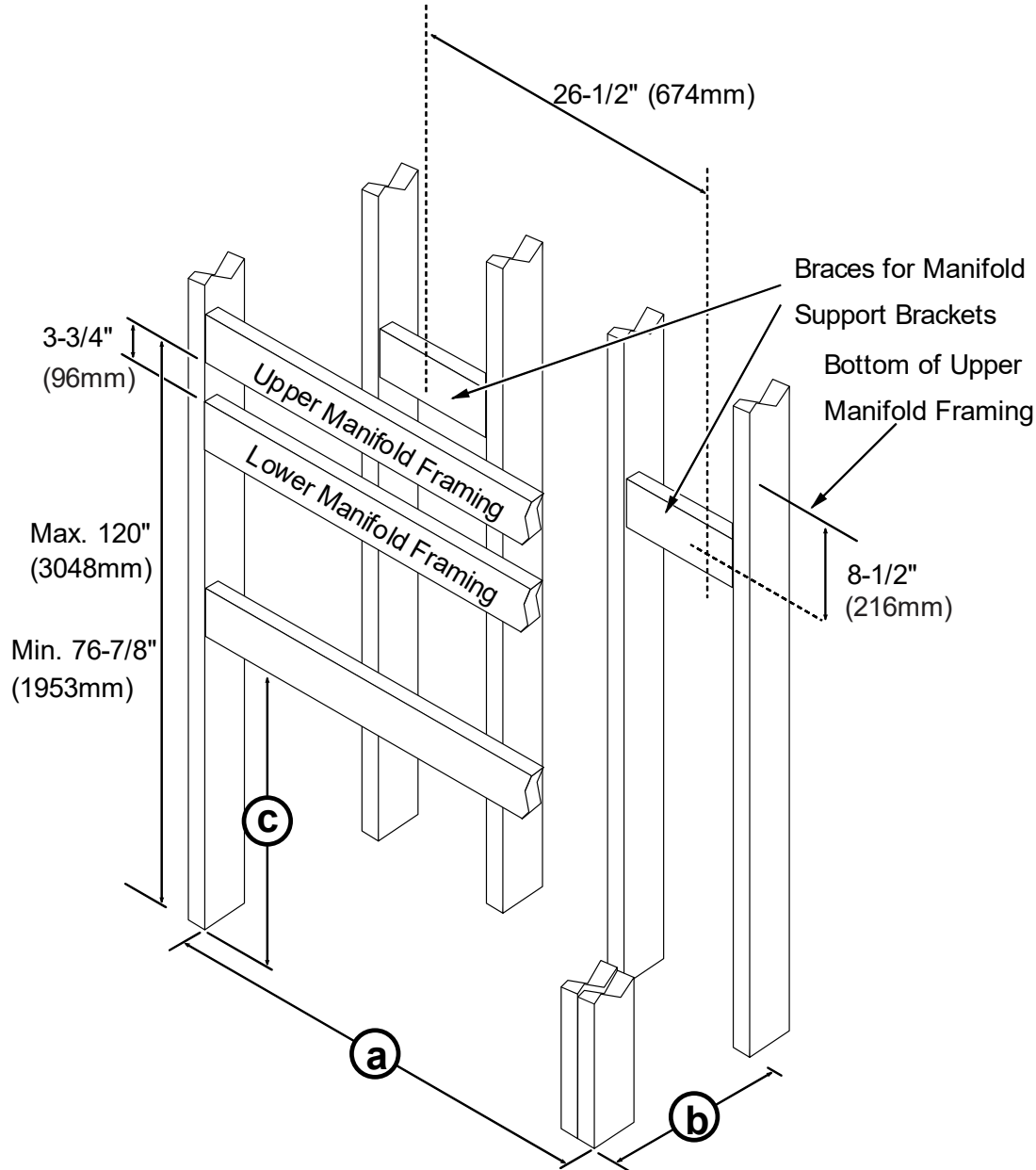
# CoolSmart TV

564 35K

(sku# 98900778)

## 564 35K - Framing the Chase

When using this kit, disregard the framing dimensions in the manual and follow the framing instructions shown below.



	564 35K Standard	564 35K CleanFace
a	37-3/4" (959mm)	38-3/4" (985mm)
b	17-1/2" (445mm)	19-3/8" (493mm) Flush 18-7/8" (480mm) Extended
c	37-1/4" (947mm)	37-1/4" (947mm)



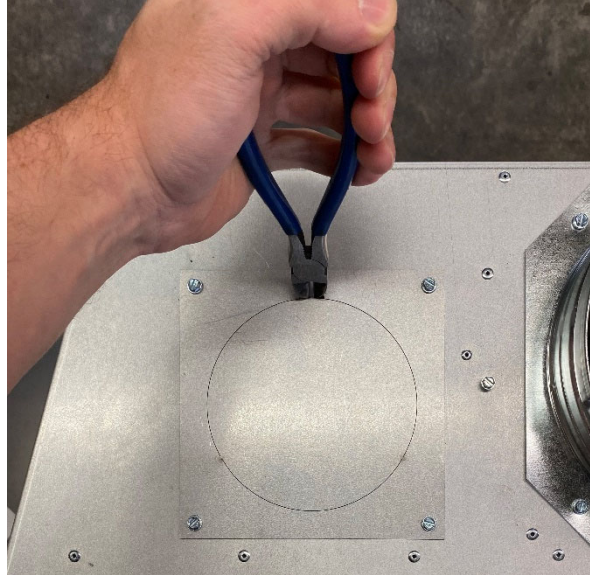
# CoolSmart TV

564 35K

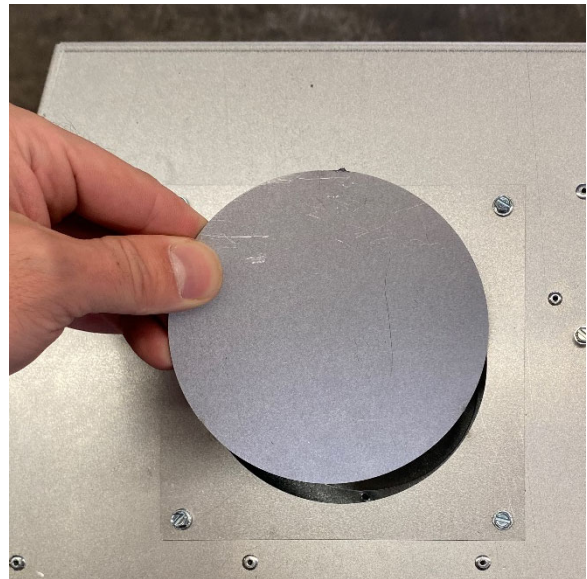
(sku# 98900778)

## **564 35K - Fireplace Preparation**

7. Remove the knockouts from the top of the fireplace. Use snips or diagonal cutters to snip the tab on the knockouts. Press on the far side away from the top to pop the edge of the knockout up.



8. Grab on to the knockout with pliers and bend it back and forth until the remaining tabs break free. Discard the knock out plate.







# CoolSmart TV

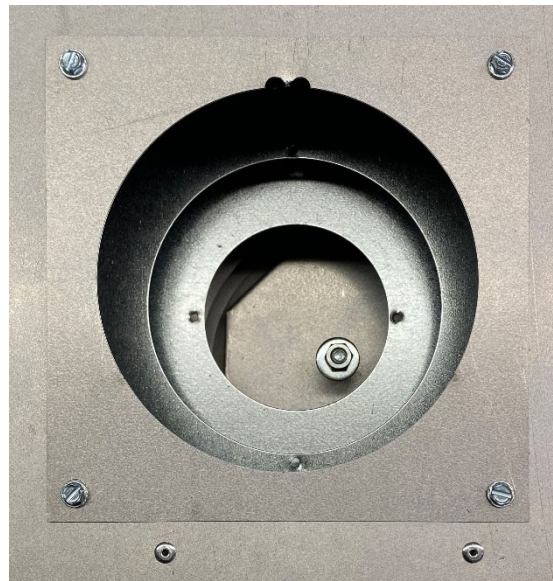
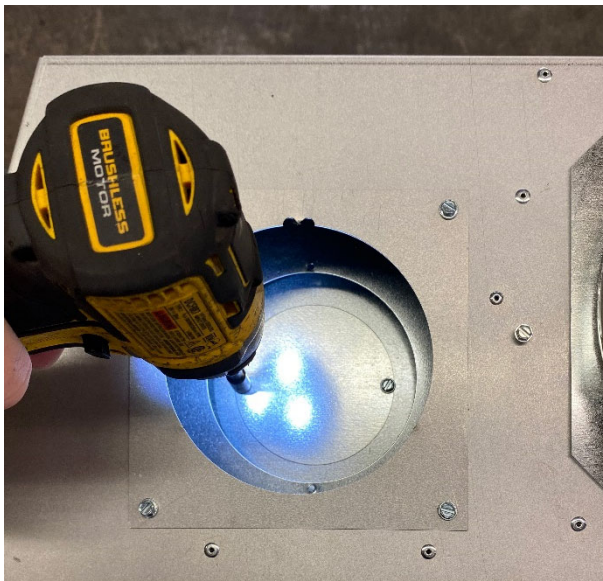
564 35K

(sku# 98900778)

9. Under each knock out plate, you will find a cover plate held in place with (2) ¼" screws. Use a nut driver or drill with an extension to remove the (2) screws. Reach in and remove the cover plate. You may discard the plate.



10. You will need to remove a third cover plate on each side. Remove the (2) ¼" screws holding the cover plate in place. Reach in and remove the cover plate. You may discard this plate.



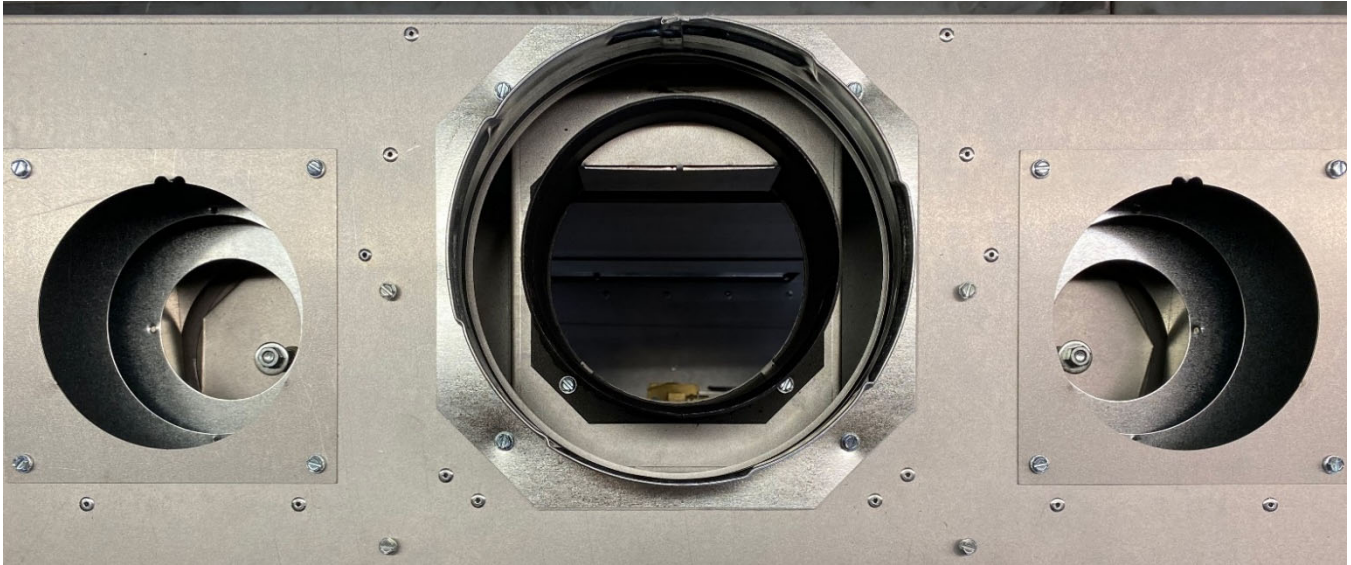


# CoolSmart TV

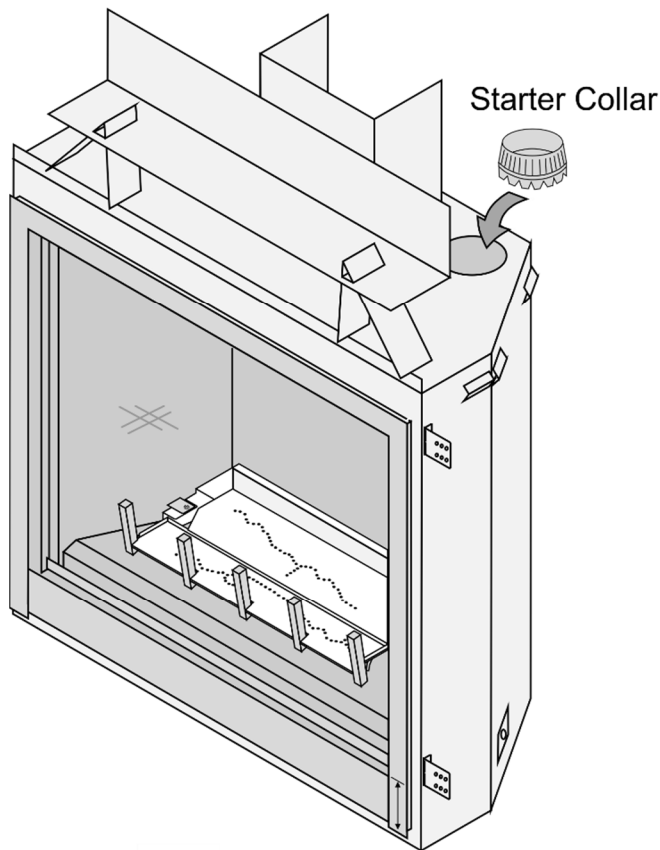
564 35K

(sku# 98900778)

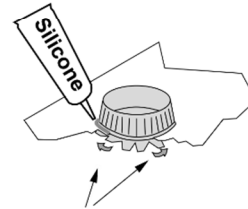
11. Repeat the above steps on the other end of the fireplace.



12. Insert a starter collar into each of the (2) holes that were uncovered in the previous step and bend the tabs to secure the starter collar to the fireplace. Seal the joints with silicone caulk or aluminum (U.L. 181A-P) tape.



Use silicone to seal the starter collar to the top of the fireplace.



Bend the tabs on the bottom of the starter collar up to lock it in place.

7 Install the fireplace into the framed chase. See section "Installation" in the manual.





# CoolSmart TV

564 35K

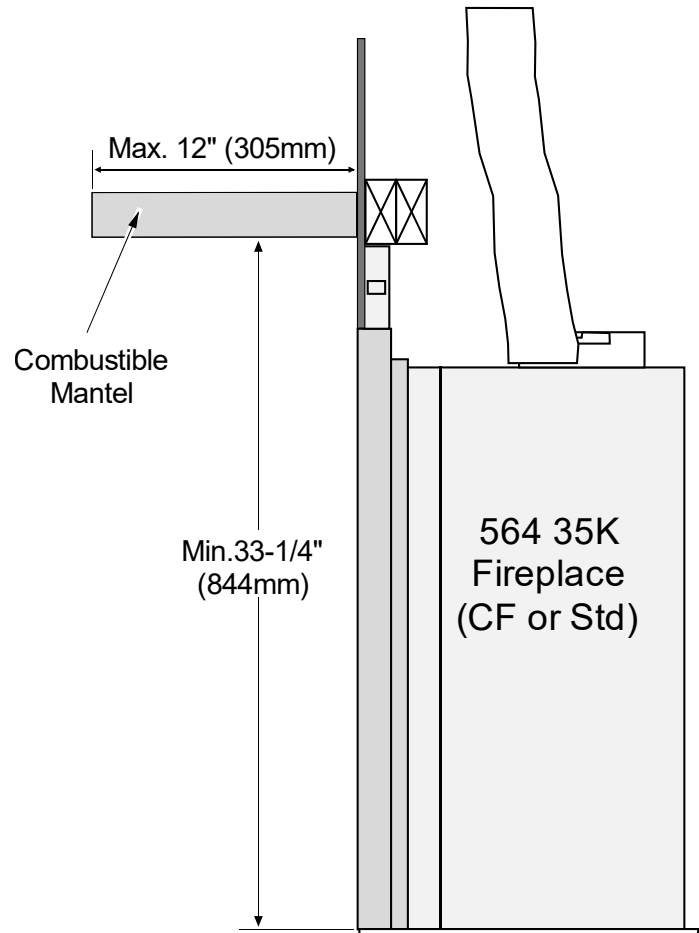
(sku# 98900778)

## **564 35K - Reduced Mantel Height**

When using this kit, disregard the combustible mantel requirements in the manual and follow the requirements shown to the right.

If you wish to place a TV above the mantel, it must meet the following requirements:

- Minimum 1" air gap behind TV to wall.
- The mantel must extend 2" in front of the TV and 1" to both sides.





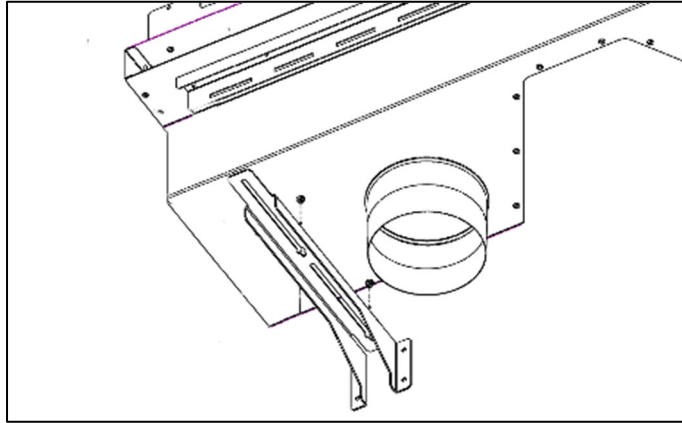
# CoolSmart TV

564 35K

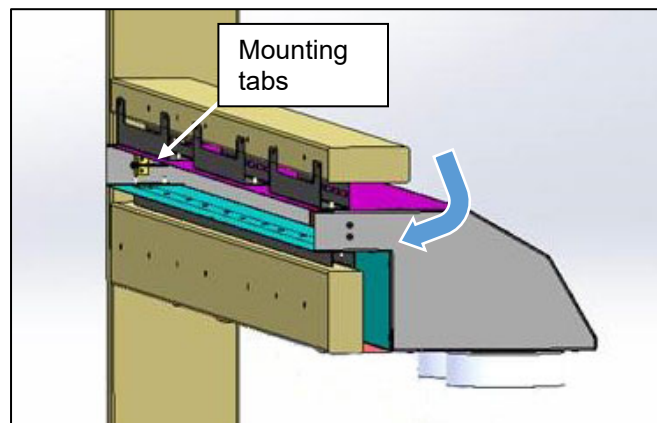
(sku# 98900778)

## CoolSmart TV Installation

- 1 Remove the grill from the manifold (2 screws hold it in place).
- 2 Remove the rear-mounting brackets by loosening 1/4" screws and sliding it out of the keyhole slots.



- 3 Determine the desired location of the bottom of the convection air outlet. Install a horizontal framing member at the desired height, parallel to the header. Install a second horizontal framing member 3-3/4" above the first. These two framing members will support the upper convection manifold in the following steps.
- 4 Hold the upper convection manifold with the outlet facing the back of the framing members installed in the previous step. Tilt the outlet of the manifold downward until the outlet of the manifold and the two mounting tabs can fit between to two framing members. Slide the outlet into the gap and allow it to sit level again. The two mounting tabs will support the manifold.



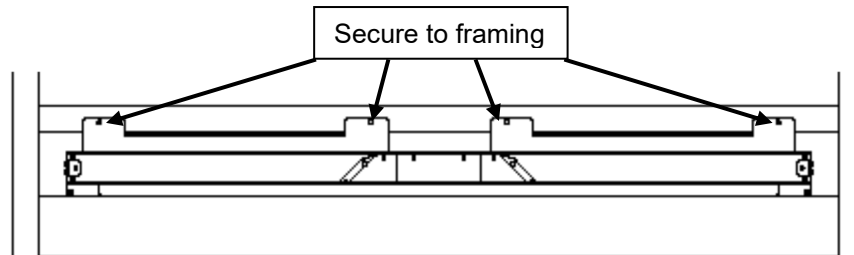


# CoolSmart TV

564 35K

(sku# 98900778)

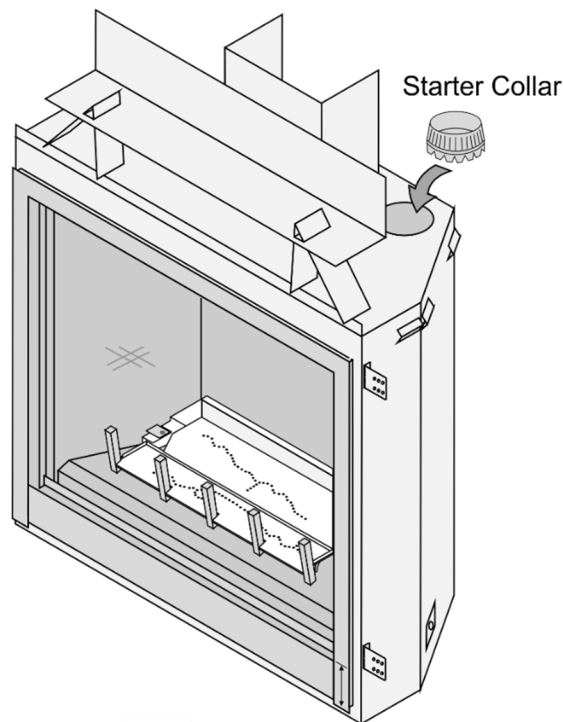
- 5 Secure the manifold to the upper framing using screws (not included).



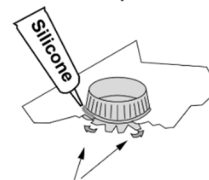
- 6 Re-attach the two rear mounting brackets (removed in step 6) to the bottom of the convection manifold. Leave the screws loose so the brackets can be positioned to the back of the chase. Secure the brackets to the chase using screws (not included). Tighten the screws securing the brackets to the manifold.



- 7 Insert a starter collar into each of the (2) holes that were uncovered in the previous step and bend the tabs to secure the starter collar to the fireplace. Seal the joints with silicone caulk or aluminum (U.L. 181A-P) tape.



Use silicone to seal the starter collar to the top of the fireplace.



Bend the tabs on the bottom of the starter collar up to lock it in place.

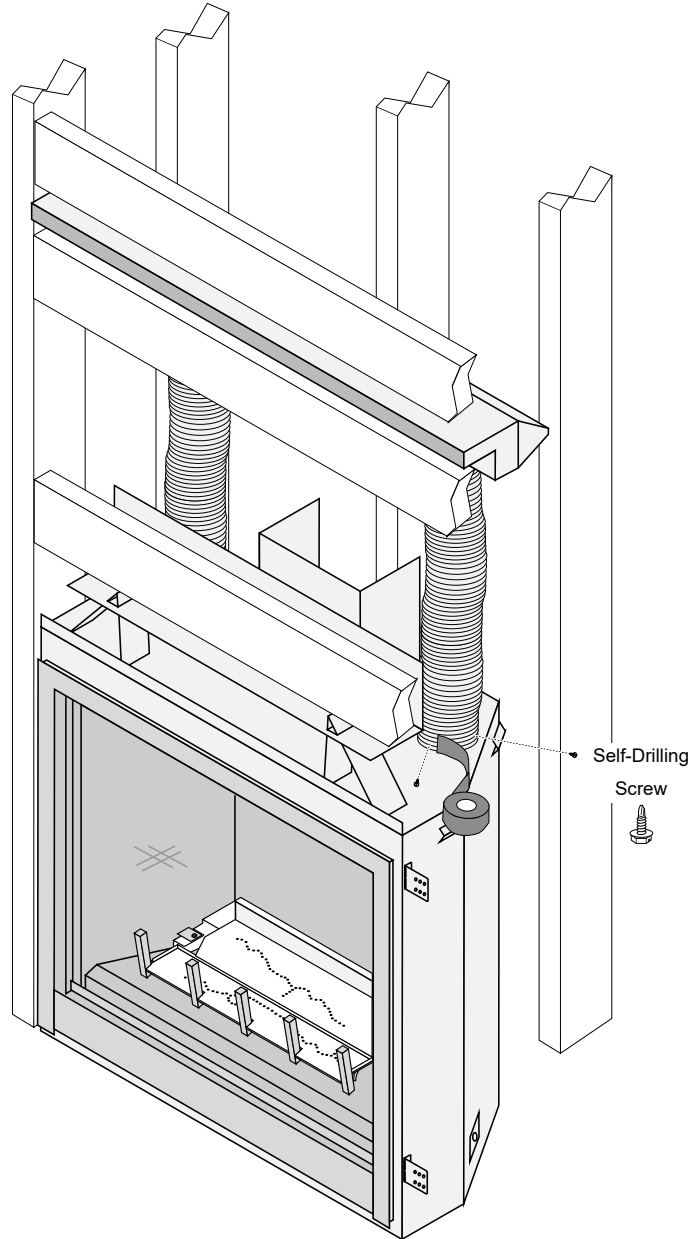


# CoolSmart TV

564 35K

(sku# 98900778)

- 8 Stretch the included flex to its maximum length. Measure the distance between the starter collars on the fireplace and the inlets on the convection manifold. Cut the flex to the appropriate length and install between the fireplace and the manifold. Secure using (3) screws at every connection and seal the joints with silicone caulk or aluminum (U.L. 181A-P) tape.



- 9 Cover the face of the fireplace and the outlet of the manifold to ensure no construction debris or sheetrock dust enters the unit.
- 10 Once all finish work is complete around the outlet of the manifold, install the outlet grill assembly using the two included screws (one at each end). The grill assembly will overlap finish material up to 1-1/2" thick. See fireplace installation manual for finishing details.

**NOTE:** The manifold opening protrudes 7/16" (12mm) proud of the framing. The wall may be finished to the opening if you do not wish to use the grill trim.



# CoolSmart TV

564 35K

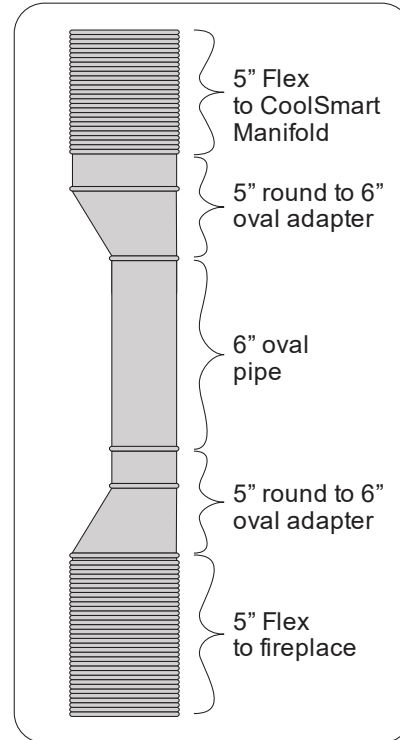
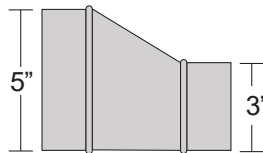
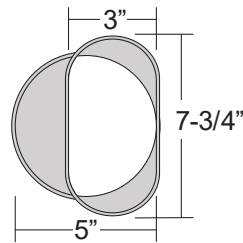
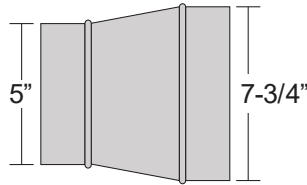
(sku# 98900778)

## Using oval pipe to get past an obstruction

If a situation arises that obstructs the CoolSmart flex vent runs (such as getting past a minimum sideways vent) you may transition the 5" flex vent to a ridged nominal 6" oval pipe to get past the obstruction. Transition back to the 5" round flex and continue to the manifold.

The adapters and ridged pipe should be factory ovalized, not field ovalized.

NOTE: All clearances to combustibles must be maintained.







# CoolSmart TV

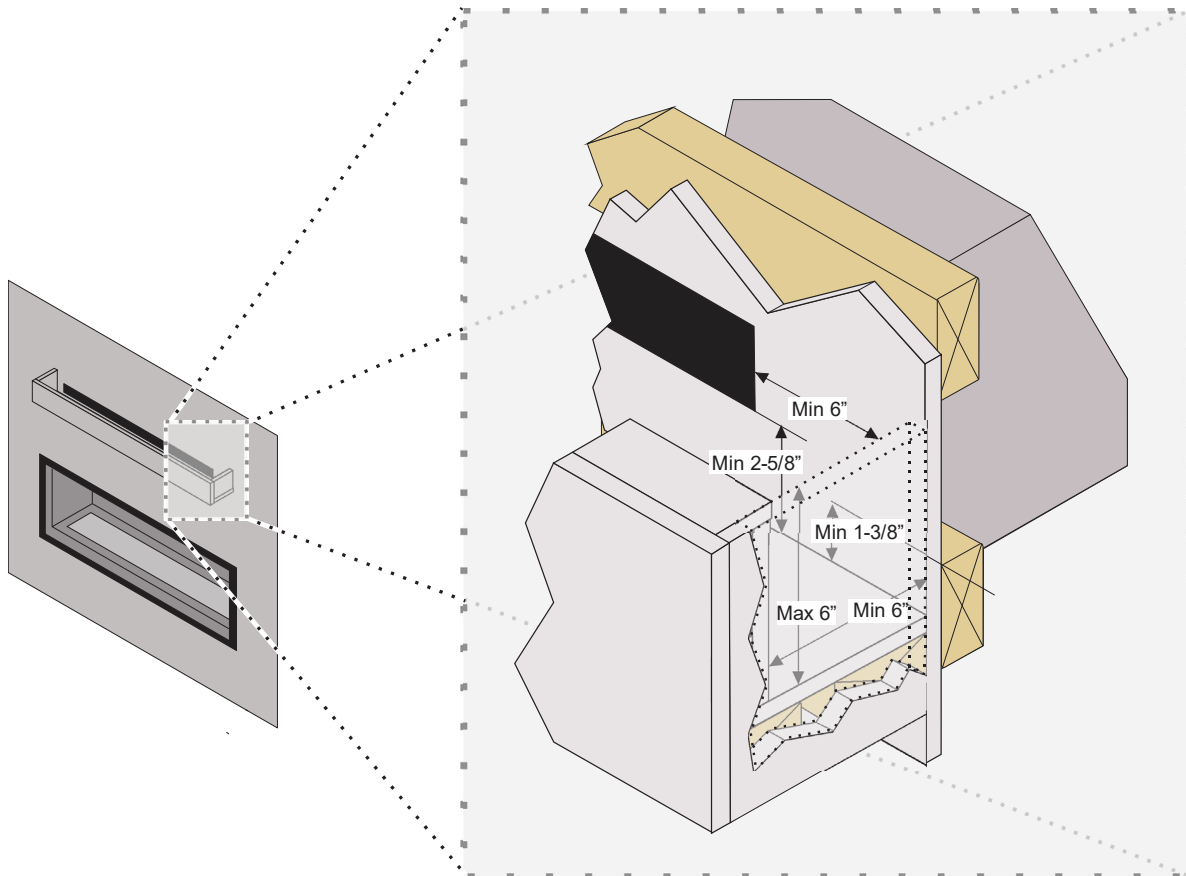
564 35K

(sku# 98900778)

## Custom Valance to Disguise Outlet – (Optional)

A custom valance may be constructed to obscure the view of the manifold outlet. If using a valance it must meet the following requirements.

- The valance may be constructed of non-combustible or combustible material. All clearances must be maintained regardless of material.
- The top surface of the valance floor must be a minimum of 1-3/8" (35mm) below the top edge of the lower framing for the manifold (approx. 2-5/8" (67mm) from the bottom of the manifold outlet).
- The distance from the front of the manifold opening to the inside surface of the front of the valance must be a minimum of 6" (153mm).
- The front wall of the valance can be a maximum of 6" (153mm) tall (see illustration below).
- If the valance has an end cap, the inner surface of the end cap must be a minimum of 6" (153mm) from the manifold outlets edge.



**NOTE:** Do not place anything in the valance (artwork, decorations, etc.). Placement of items on the valance could obstruct the airflow and create a hazardous condition.