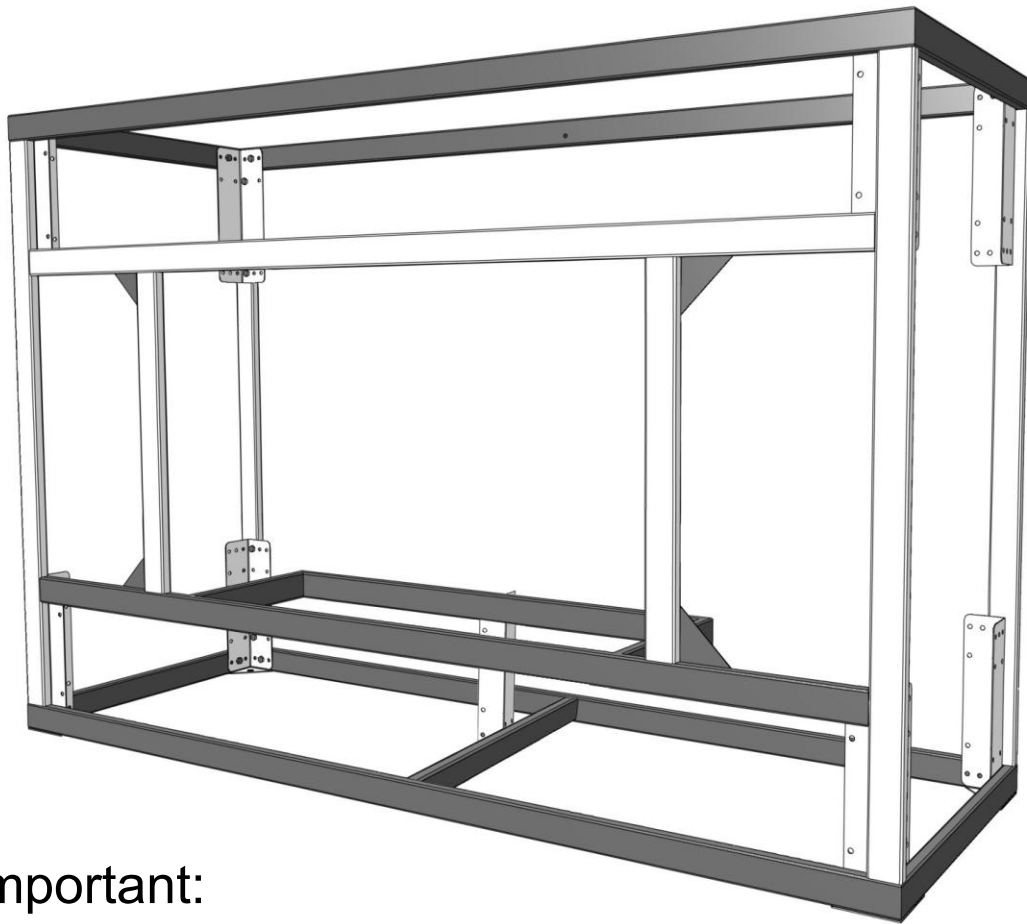


escea.

Kitset Enclosure – KSE

(Kitset Wall Unit - KWU)
Suitable for EF5000 or EW5000

Installation Manual



Important:

The Kit shall be installed in accordance with;

- This installation instruction booklet
- Municipal building codes
- All relevant statutory regulations.
- Must be installed by a qualified person

For contact details of your local escea distributor or dealer please contact one of the following:

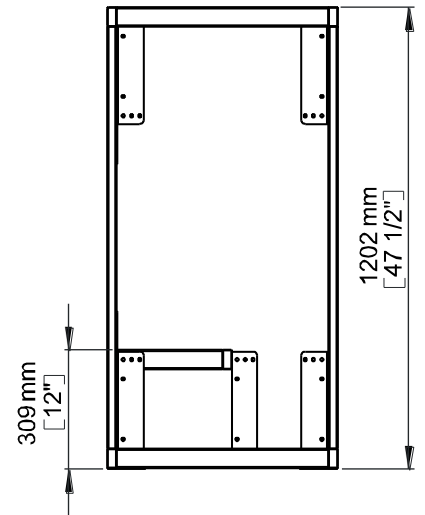
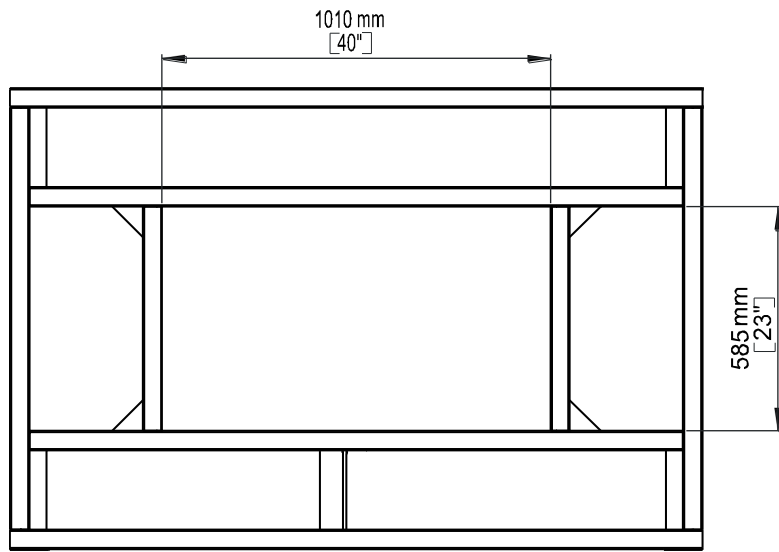
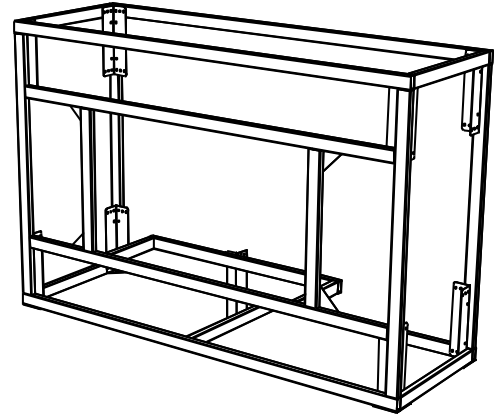
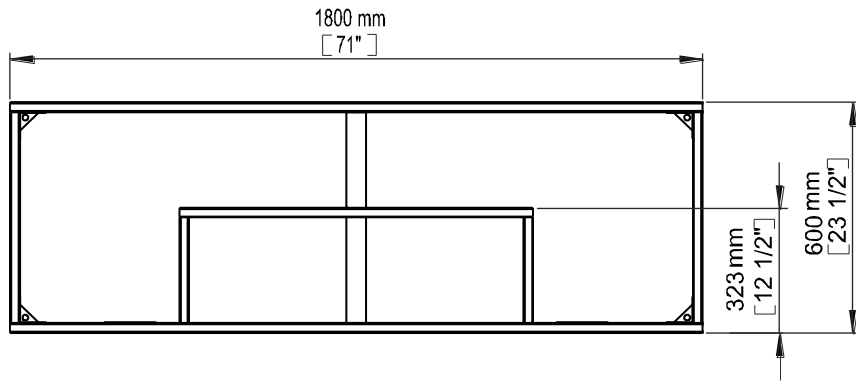
Manufactured by:
Escea Ltd
PO Box 5277
Dunedin
New Zealand

Contact Details (NZ):
Web: www.escea.co.nz
Email: info@escea.co.nz
Ph: +64 3 479 0302
F: +64 3 479 0301

Contact Details (AU):
Web: www.escea.com.au
Email: info@escea.com.au
Ph (East Coast): +61 3 8787 3567
Ph (West Coast): +61 8 9373 7000

Contact Details (US):
Web: www.escea.net
Email: info@escea.net
Ph: 866 615 3096
F: 770 412 8403

Finished Dimensions:



Note: Third angle projection

Note: You will need a 13mm ($\frac{1}{2}$ ") Spanner and/or socket and ratchet handle.

Kitset Contents:

It is important to check that the contents of your KSE (KWU) Flatpack is complete before you start the assembly process.

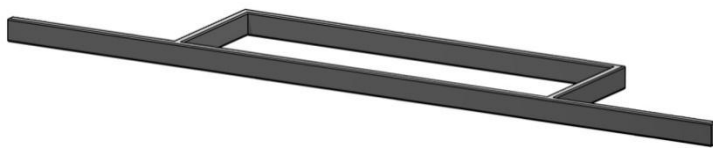
Your Flatpack should include the following components:



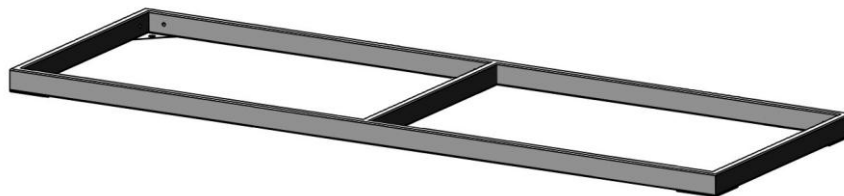
56 x M8x20mm ($\frac{5}{16}$ x $\frac{13}{16}$ ")
Hex Bolt
Part #303053



1 x Top Section
Part #700029



1 x Middle Section
Part #700030



1 x Bottom Section
Part #700031
(corner gussets attached for
fixing to ground)



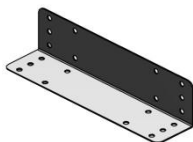
2 x 583mm ($22 \frac{15}{16}$ ") Vertical
Part # 120008



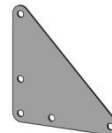
4 x 1098mm ($43 \frac{7}{32}$ ") Vertical
Part # 120003



1 x 1698mm ($66 \frac{55}{64}$ ") Horizontal
Part # 120004



9 x Corner Bracket
Part #100401



4 x Triangle Gusset
Part #100402

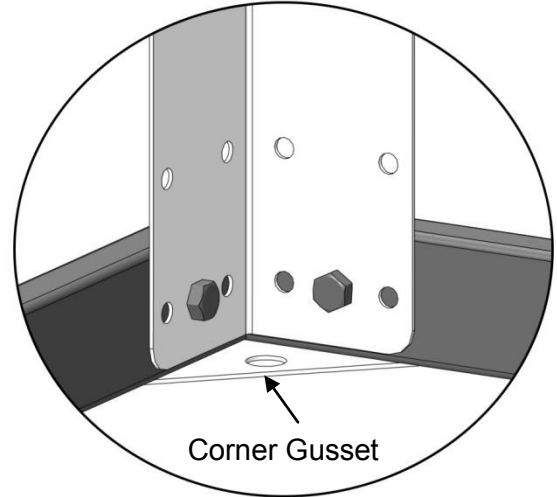
Assembly

When tightening the bolts to the frame, make sure the parts are lined up correctly. This will ensure that you do not cross-thread the bolt inside the riv-nut. On initial assembly, tighten bolts lightly, tighten properly once the KSE (KWU) frame is complete.

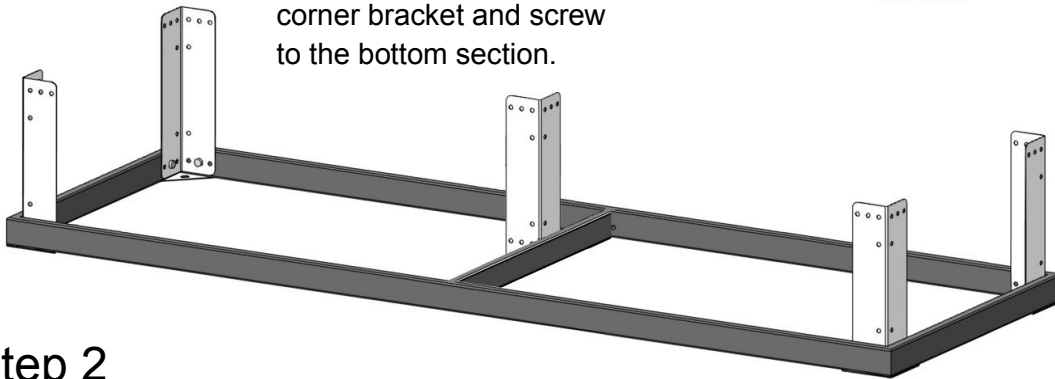
Step 1 – Section One

Parts needed for step 1 & 2

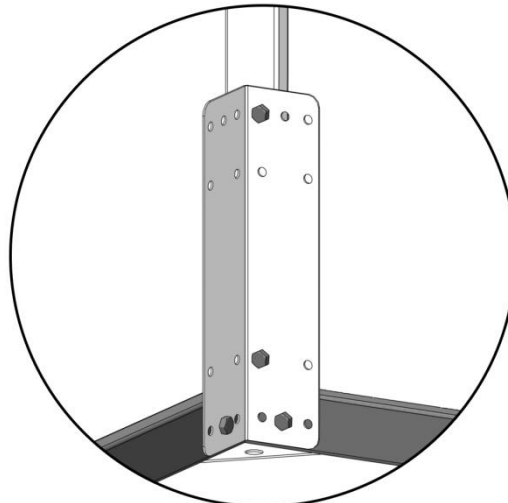
| Item | Qty |
|----------------------------------|-----|
| Bottom Section | 1 |
| Corner Bracket | 4 |
| 1098mm (43 7/32") Vertical | 4 |
| M8x20mm (5/16 X 13/16") Hex Bolt | 16 |



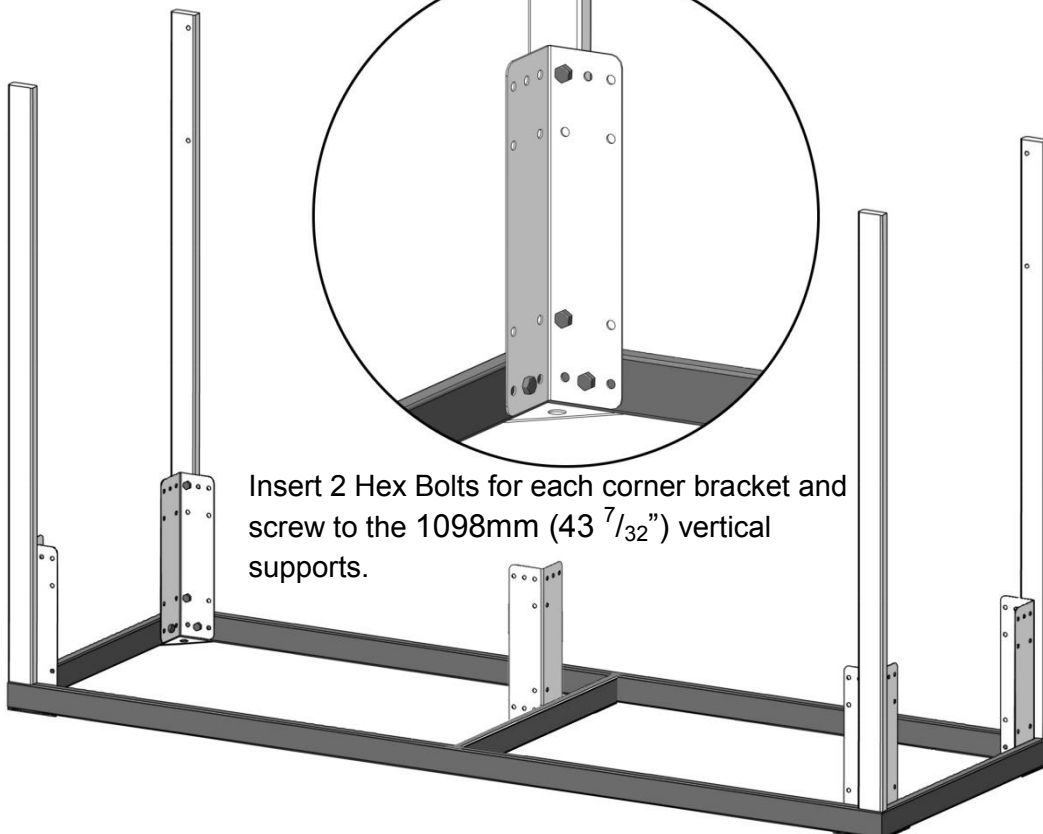
Insert 2 Hex Bolts for each corner bracket and screw to the bottom section.



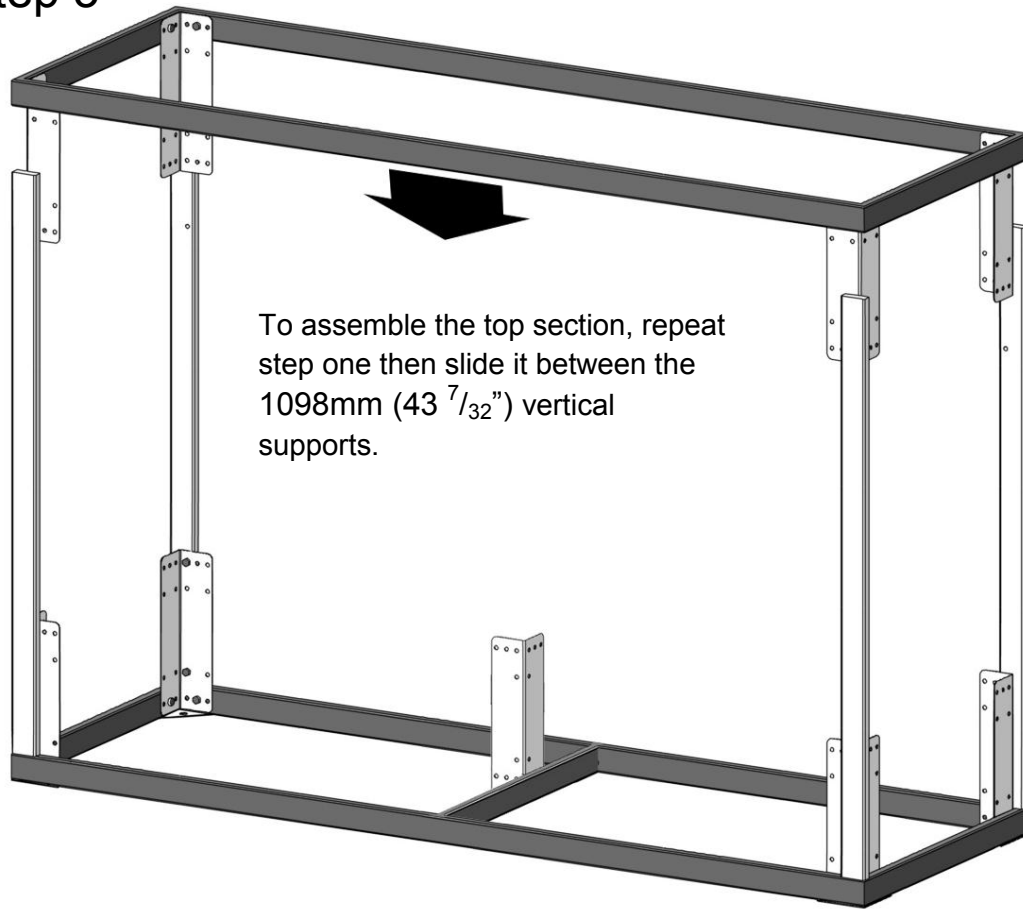
Step 2



Insert 2 Hex Bolts for each corner bracket and screw to the 1098mm (43 7/32") vertical supports.

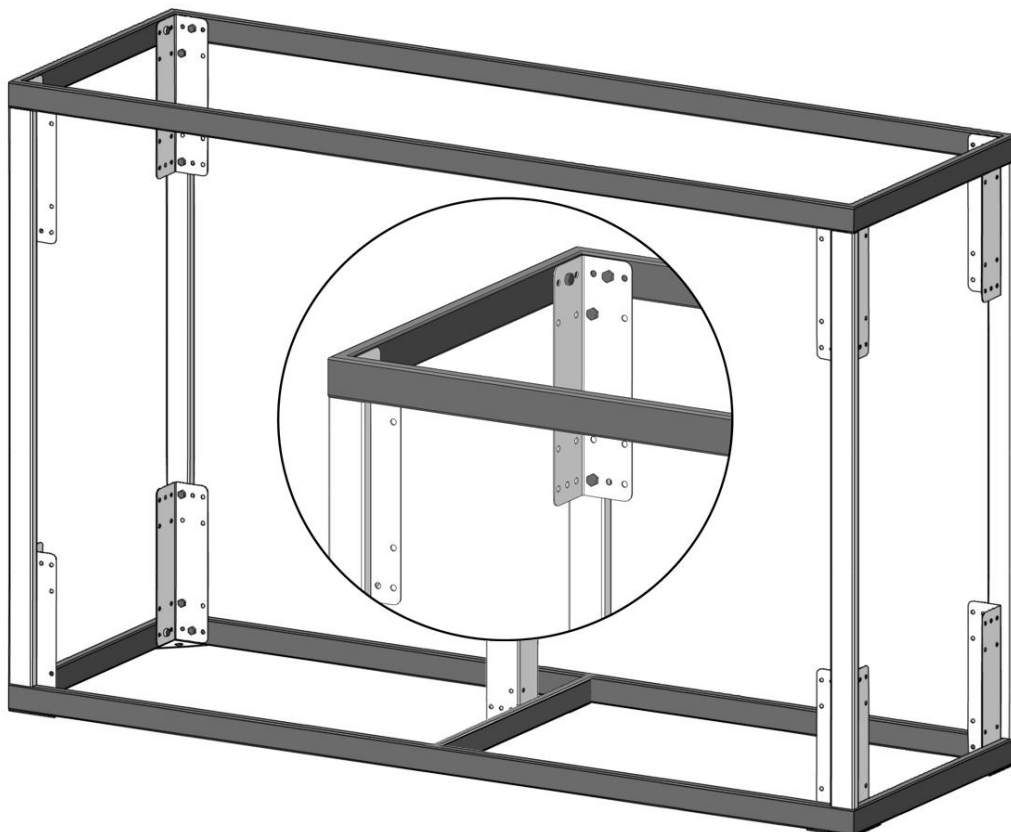


Step 3



To assemble the top section, repeat step one then slide it between the 1098mm (43 ⁷/₃₂") vertical supports.

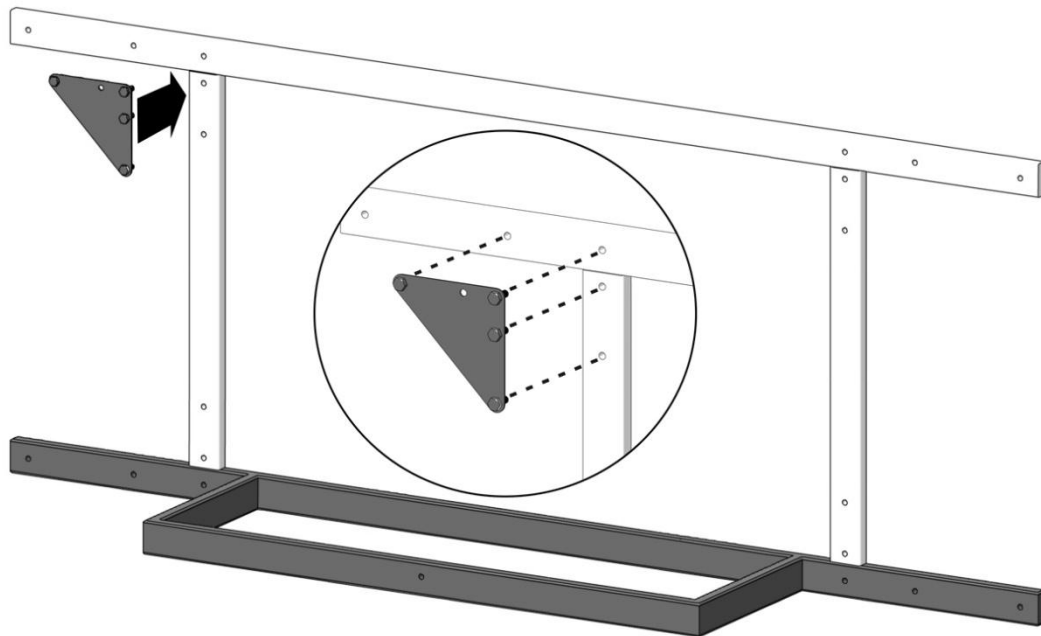
Once the top section is in place it can be attached with the hex bolts to the 1098mm (43 ⁷/₃₂") vertical supports. Section One is now complete.



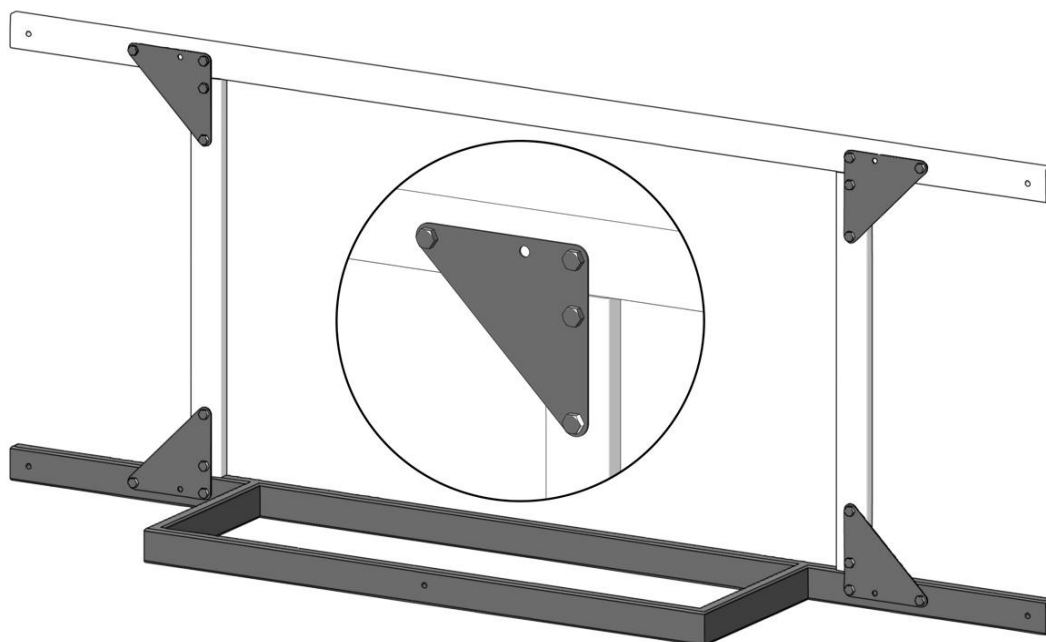
Step 4 – Section Two

The next step is to assemble the internal section of the KSE (KWU). This section will support the EF5000 Outdoor Fireplace.

| Item | Qty. |
|---|------|
| Triangle Gusset | 4 |
| 1698mm (66 ⁵⁵ / ₆₄ ") Horizontal | 1 |
| 583mm (22 ¹⁵ / ₁₆ ") Vertical | 2 |
| M8x20mm (⁵ / ₁₆ x ¹³ / ₁₆ ") Hex Bolt | 20 |
| Middle Section | 1 |

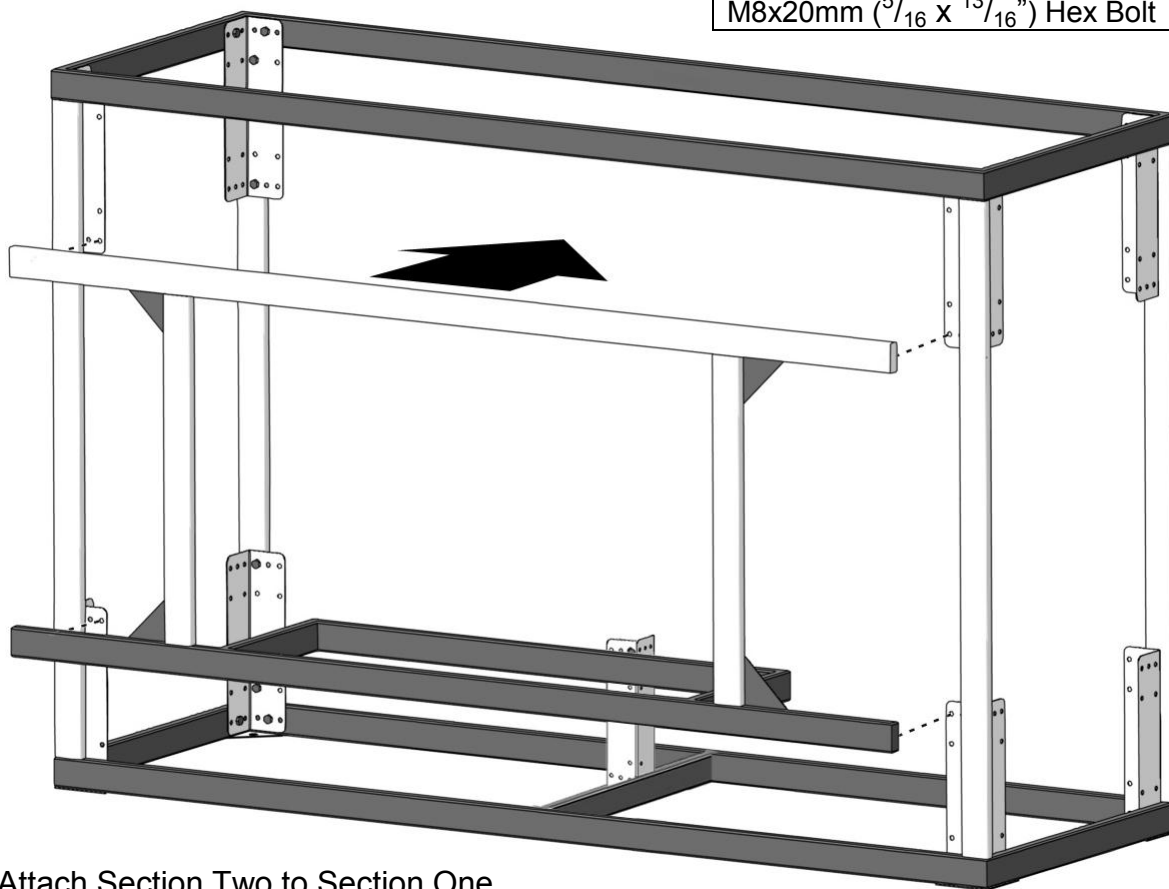


Attach the four triangle gussets to the Horizontal, Vertical and Middle sections as shown. Section Two is now complete.



Step 5

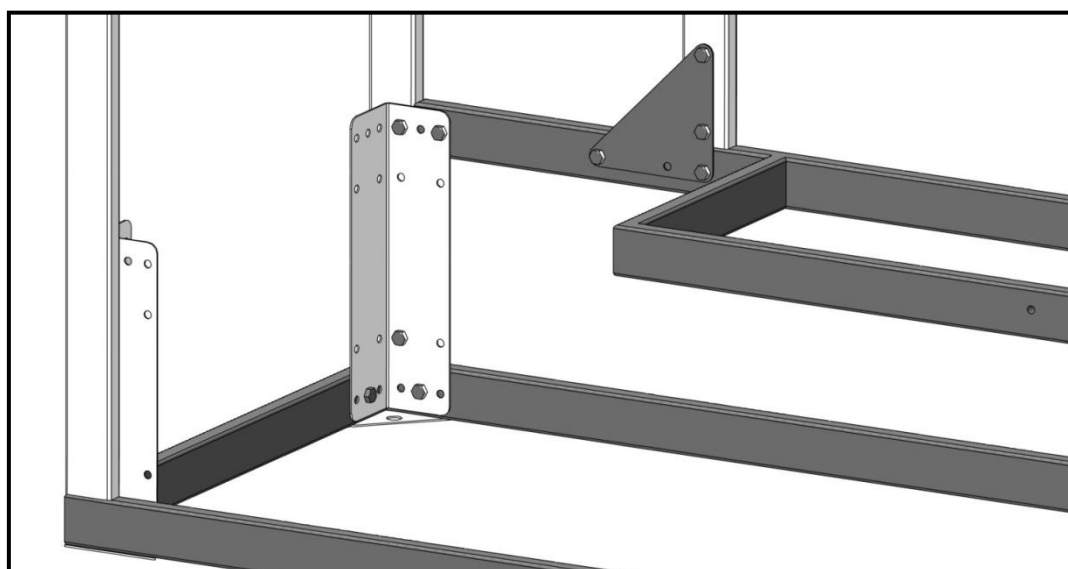
| Item | Qty. |
|---|------|
| Section One | 1 |
| Section Two | 1 |
| M8x20mm ($\frac{5}{16}$ x $1\frac{3}{16}$ ") Hex Bolt | 4 |



Attach Section Two to Section One.

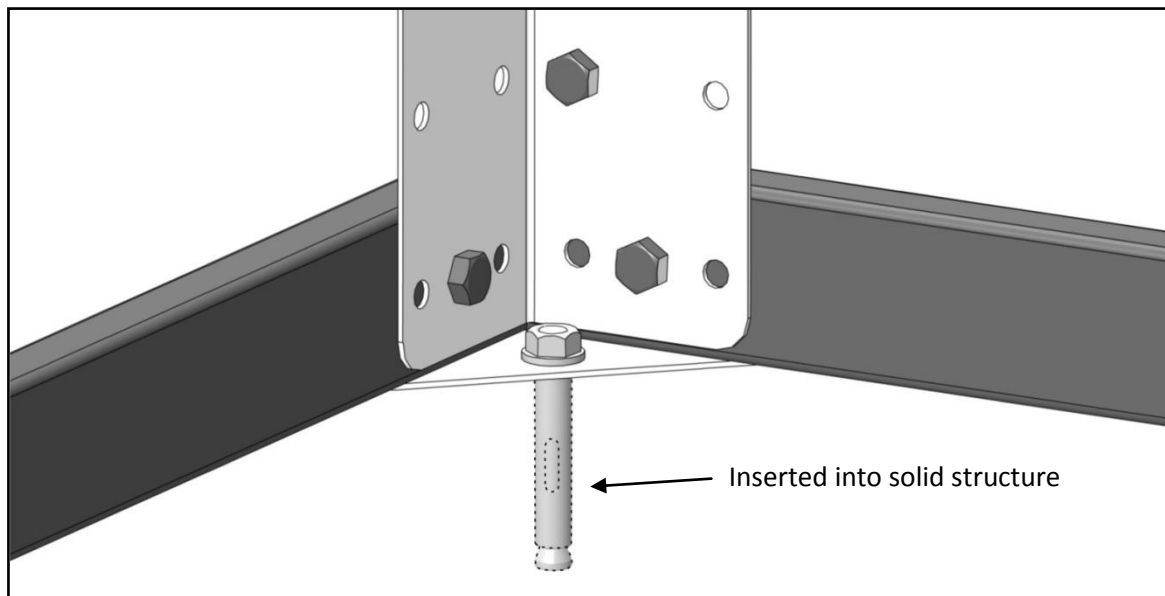
Ensure correct orientation as shown.

Ensure central short upright bracket is fastened to Section Two.



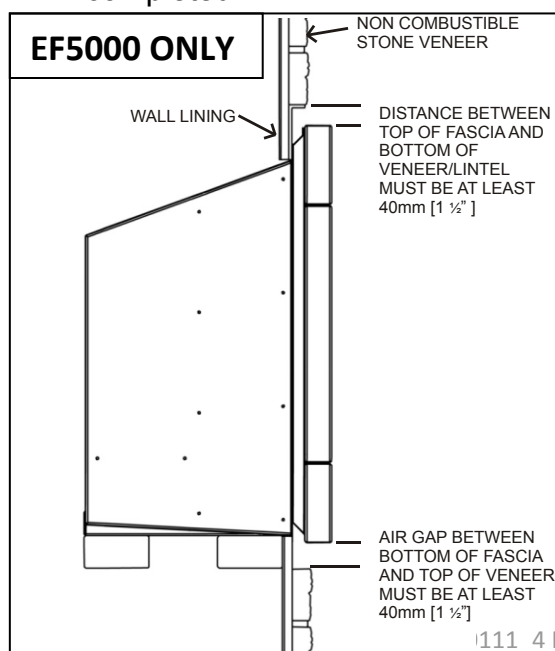
Step 6 - Fixing to the Ground

Attached to the bottom section of the Kitset Enclosure (Kitset Wall Unit) are 4 corner gussets. Bolts or Dyna-bolts **must** be inserted into the gussets to secure the KSE (KWU) to the ground.



Step 7 - Adding Your Own Unique Finish

Now that your Kitset Enclosure (Kitset Wall Unit) is complete, you can now add your own choice of cladding to finish it off. Different applications and installations require unique claddings, hence Escea have made the Kitset Enclosure (Kitset Wall Unit) to be as flexible as possible. Below are some guidelines on how the cladding should be completed.



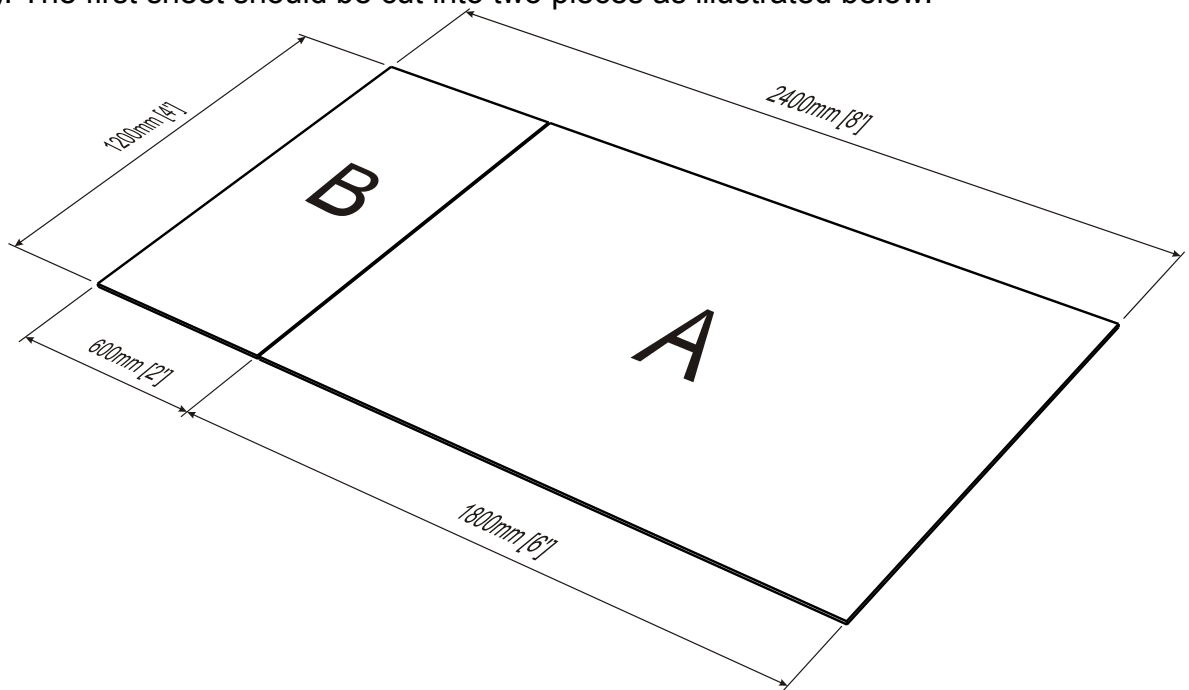
The unit was designed with 300mm (11 ¹³/₁₆”) x 300mm (11 ¹³/₁₆”) tiles in mind, but any finish from stone veneer, rough-cast plaster, timber or anything else that you can think of, could be used to good effect.

When planning your finish, make allowance for the fact that the Fire Fascia will cover part of that outer layer, and must sit in front of the cladding, **not flush with it** (see diagram at left). It may be a good idea to mock up the installation in order to get it right.

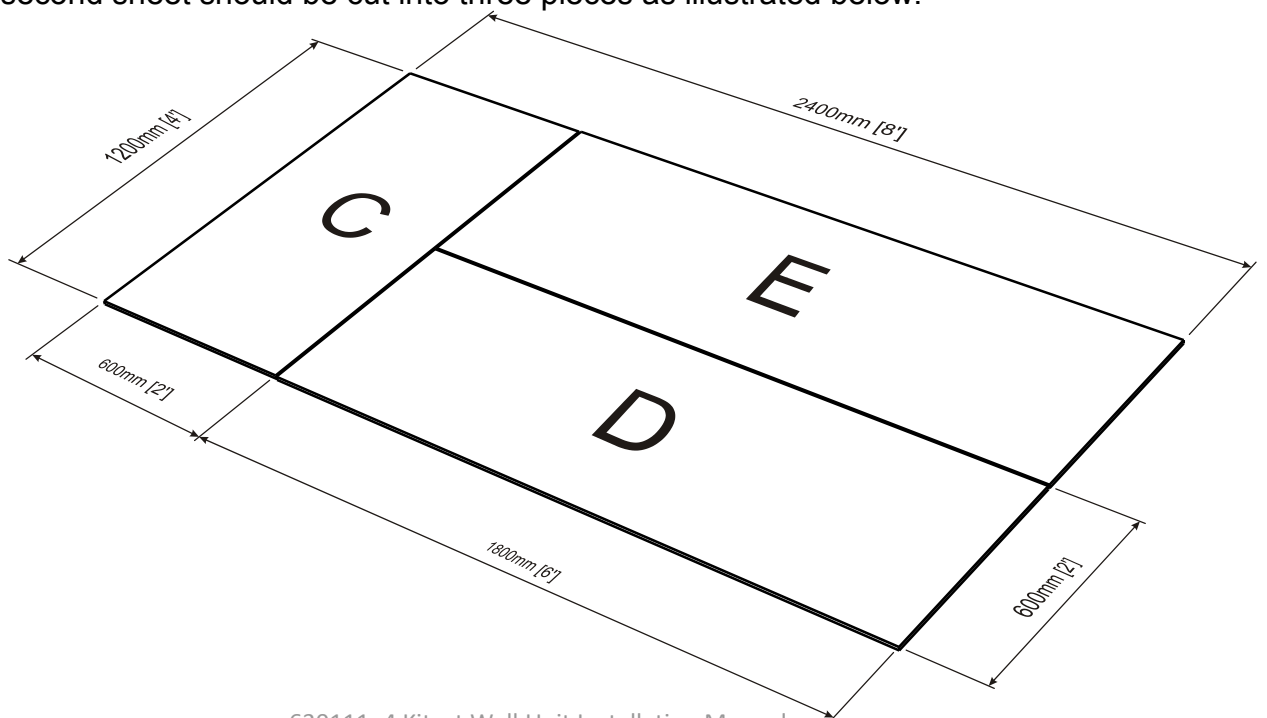
The size of the Kitset Enclosure (Kitset Wall Unit) has been designed to fit in with standard 2400mm [8'] x 1200mm [4'] sheets. If the Kitset Enclosure (Kitset Wall Unit) is to be installed up against a wall or similar structure, only two full sheets are required. If it is to be set up as a standalone unit, a third sheet may be required.

A Guide to Sheet Cutting

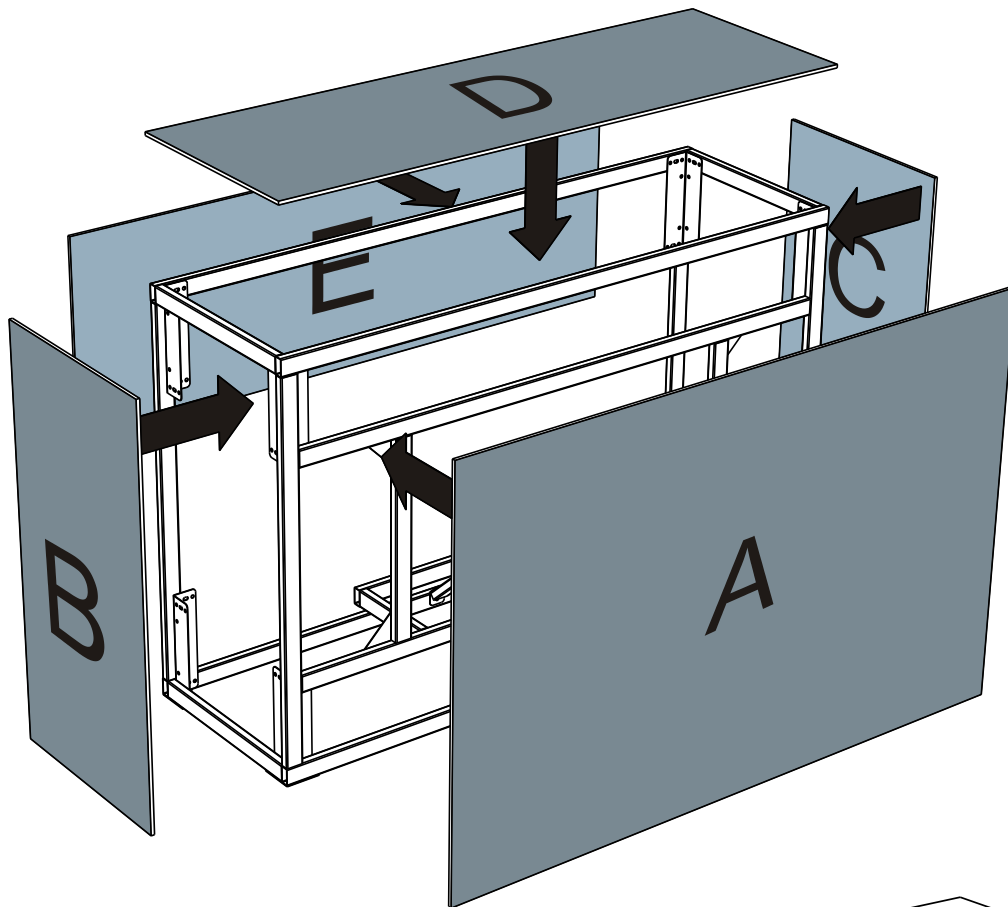
If you are using fibre cement board, plywood or similar full sized sheets as the initial cladding, they can be cut quite economically to suit the Kitset Enclosure (Kitset Wall Unit). The first sheet should be cut into two pieces as illustrated below:



The second sheet should be cut into three pieces as illustrated below:



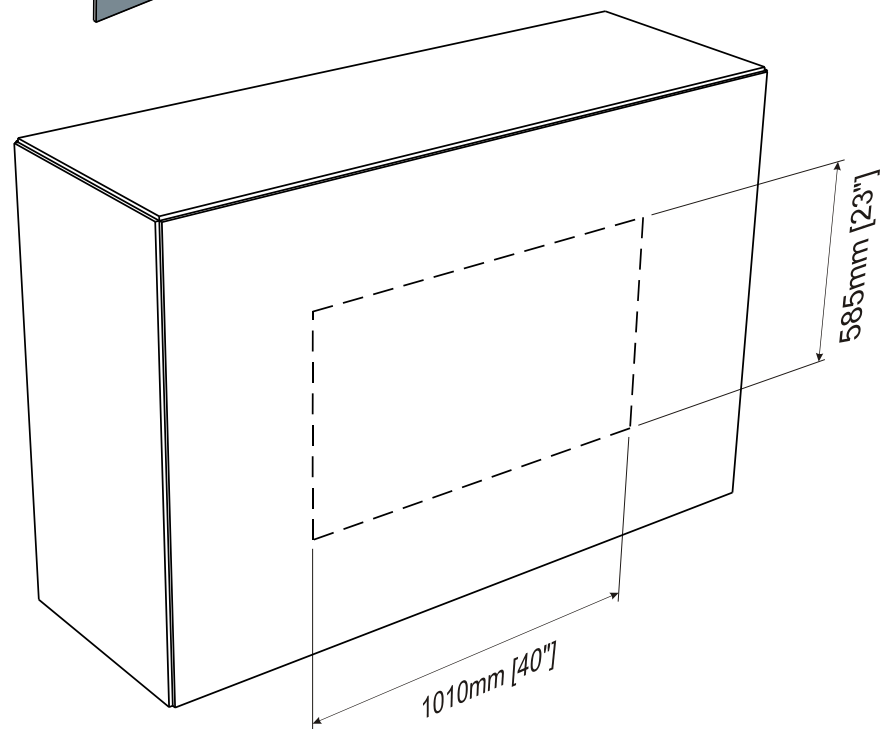
These panels can then be attached, using suitable adhesive or mechanical fastenings, to the assembled unit as illustrated below:



Note that panel „E” is optional, particularly if the rear of the Kitset Enclosure (Kitset Wall Unit) is backing against a wall or similar structure.

If it is desired that the Kitset Enclosure (Kitset Wall Unit) is to be fully enclosed, then a third sheet will be required in order to cut another panel „E”, or another panel „A”.

Escea recommends that the hole in the front panel „A” be **marked out and cut after it is fixed to the unit** to ensure it is in the correct place. Check that the fireplace fits before finishing the veneer. Install the EF5000 Outdoor Fireplace according to the installation instructions that came with it.



EW5000 ONLY:

Step 8: Installing the EW5000

Insert the firebox into the kitset enclosure as shown in the picture.

Note: The final position of the firebox will be dependent on the type of material you have chosen for cladding.

Be careful to position the firebox so the bottom lines up with your wall. If the wall lines up with the top or sides, the fascia will not fit on. There are 4 holes in the bottom of the fire for securing the fire into a cavity. These holes do NOT line up with the kitset enclosure, and you will need to drill 2 additional holes, in the base of the firebox, for securing the fire. To stop any embers from falling into the cavity of the kitset enclosure, the 4 original holes in the bottom of the fire must be "blanked off" with the supplied nuts and bolts.



There are an additional 2 holes in the bottom corners of the rear panel. If these are not utilized as fixing holes, they should be „blanked off“ with the supplied nut and bolts.

Depending on material choice some heat may be conducted through the surrounding cavity and consequently no combustible materials should be near or come into contact with these hot surfaces. This is completely dependant on the chosen material and design of installation. The user should satisfy themselves that the installation is fit for purpose and complies with all local and national codes.

Step 9:

First you must position the fire in the kitset enclosure so that the bottom of the fire lines up with the outside of the cladding you have chosen. See pictures for example. Notice that the bottom does not line up with the kitset enclosure. The bottom must line up with whatever cladding is being used for the enclosure. In this case a piece of stone veneer has been used. In the example shown the cladding is 35 mm thick. Therefore the bottom edge of the fire must be sitting 35 mm from the front of the kitset enclosure.



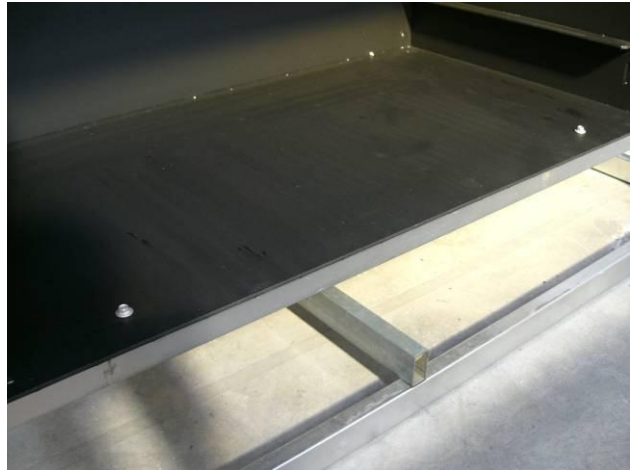
Step 10:

Once the fire is sitting in the correct position, mark and drill two 6mm clearance holes for the self drilling screws in the bottom of the fire. Make sure the holes are located directly above the center of the 25x50 mm box section. Do NOT drill holes into the box section. To make sure you do NOT drill into the box section, the fire should be moved slightly whilst drilling the holes.

Once the clearance holes have been drilled the fire can be placed into its final position.

Before securing the fire you must make sure it is level. Use pieces of non combustible material to sit firmly under the corners of the fire to make it level.

Use the supplied TEK-screws for securing the fire to the middle section as shown in the picture. Make sure not to over tighten the bolts, and use a spanner for tightening rather than an electrical drill.



Note: when determining the position of the 6 mm holes, make sure the screws will not be in the way of the ash-pan. If the screws are positioned between 50 and 150 mm from the inside walls of the fire, they will clear the ash pan.

Your EW5000 outdoor cooking fire is now installed in your Kitset Enclosure. Make sure all of the guidelines of both the installation manual for the EW5000 outdoor cooking fire and the kitset enclosure are followed.