

DVS/DVL EG Firebacks

SKU Numbers

DVS Firebacks	
Straight Brick/Herringbone	sku# 96100473
Handmade Brick/Graystone	sku# 96100474
Black Glass	sku# 96100475
Ledgestone	sku# 96100476

DVL Firebacks	
Straight Brick/Herringbone	sku# 96100483
Handmade Brick/Graystone	sku# 96100484
Black Glass	sku# 96100485
Ledgestone	sku# 96100486

Compatibility

- DVS EmberGlo™ Inserts – (starting 2020)
- DVL EmberGlo™ Inserts – (starting 2020)

Tools Needed

- ¼" Nut Driver

Packing List

- (1) Rear Fireback
 - (2) Side Firebacks
 - Panel Spacers (**For Glass Firebacks ONLY**)
- NOTE:** Comes as 1 piece – must be separated for installation

Installation

WARNING Turn off gas to the appliance and make sure it has fully cooled prior to conducting service.

GLASS FIREBACK WARNINGS

HANDLING THE FIREBACKS: The glass firebacks are fragile – especially the edges. Take care to prevent contacting/scraping the glass against metal or rough surfaces. You may wish to lay out a blanket during installation in case you need to set the firebacks down.

We recommend the use of gloves and safety glasses during the installation of the glass firebacks.

GLASS FIREBACK CLEANING

These firebacks require periodic cleaning. Do not use ammonia-based cleaners (this may cloud the glass). We recommend ammonia-free glass cleaner (i.e. vinegar and water) to clean the fireback.

CERAMIC FIREBACK WARNINGS



The rear fireback is rectangular and must be placed right side up. Lay the firebacks on a flat surface prior to installing to verify the texture (brick, ledgestones) are aligned.

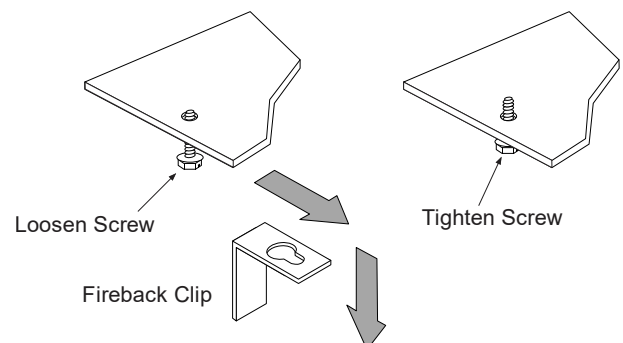


The firebacks are fragile, especially after being exposed to heat. Take care to prevent contacting/scraping the firebacks against metal or rough surfaces.

NOTE On two-sided firebacks make sure the rear and sides patterns match.

NOTE On rear firebacks that have brick texture make sure the edge with the full brick is at the top.

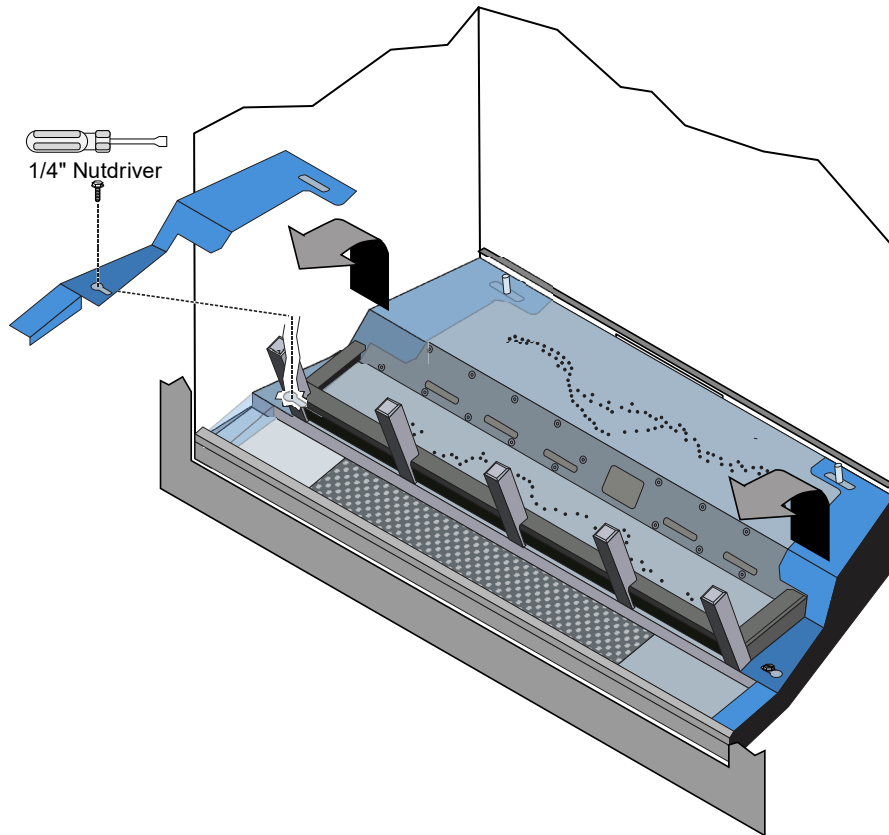
1. Access the firebox (see Owner's Manual).
2. There are (2) fireback clips in the firebox ceiling **for DVS** (1) on each side and (3) **for DVL**– (1) on each side and (1) in the back. Use a ¼" nut driver to loosen the screws just enough to allow the fireback clip to move. The clip has a "keyhole" slot on it. Slide the clip forward until it can move freely over the head of the screw. Tighten the screws so they do not obstruct the installation of the fireback panels in a later step.



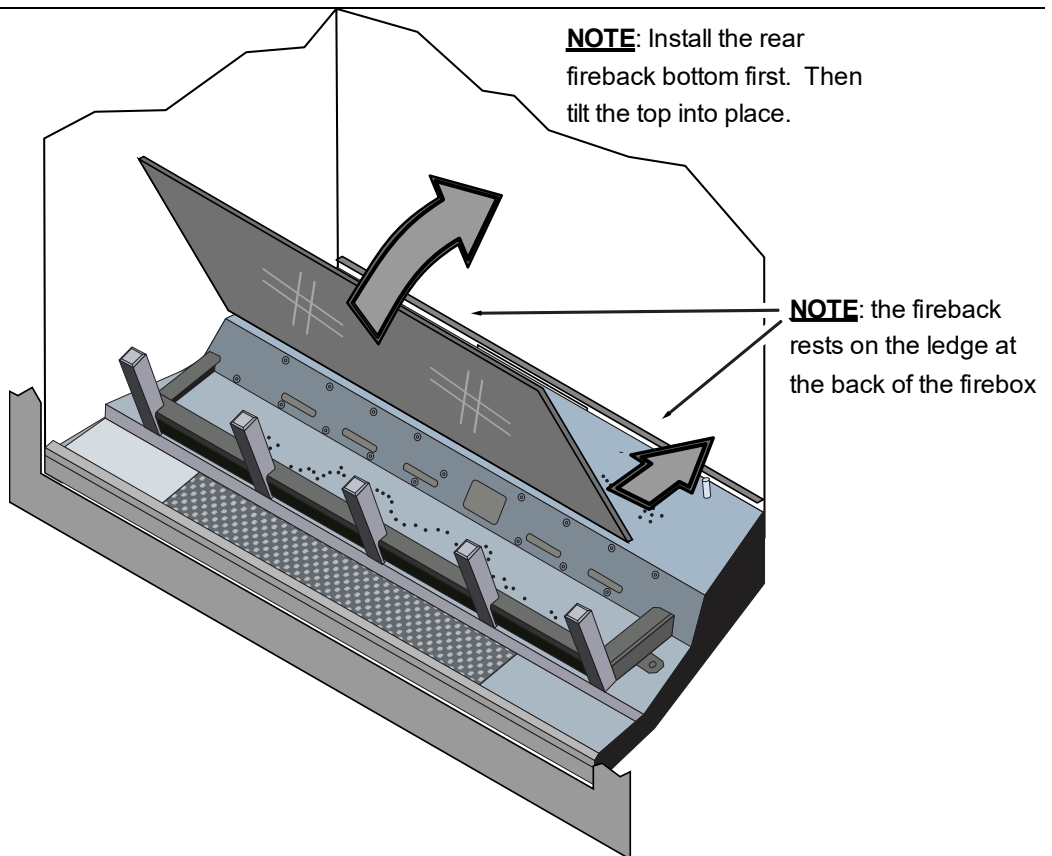
DVS/DVL EG Firebacks

not obstruct the installation of the fireback panels in a later step.

3. Use a 1/4" nut driver to loosen the screws (1 each side) that secure the burner side covers to the burner. There is a "keyhole" slot in the cover so removal of the screw is not necessary. Push the burner side cover toward the center of the insert until the hole in the cover lines up with the head of the screw. Lift up slightly and remove the cover from the firebox. Repeat for other cover. Set the covers aside for reinstallation.



4. Place the rear fireback into position and support it with your hand until you install the rear fireback clip in the next step.

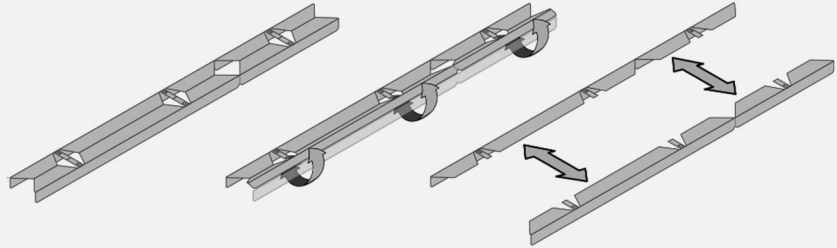


BLACK GLASS FIREBACKS ONLY – For all other firebacks skip to step 8

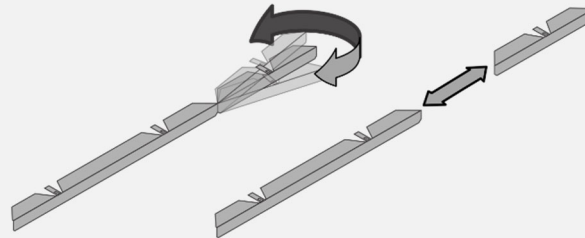
NOTE: No tools are needed for this step.

5. Prepare the panel spacers. Gently bend the spacers back and forth along the lengthwise perforation until they separate.
6. Separate the top panel spacers from the bottom panel spacers by gently bending them back and forth at the perforations (about 1/3 from the end).

Separate the two halves



Separate the top spacers from the bottom spacers

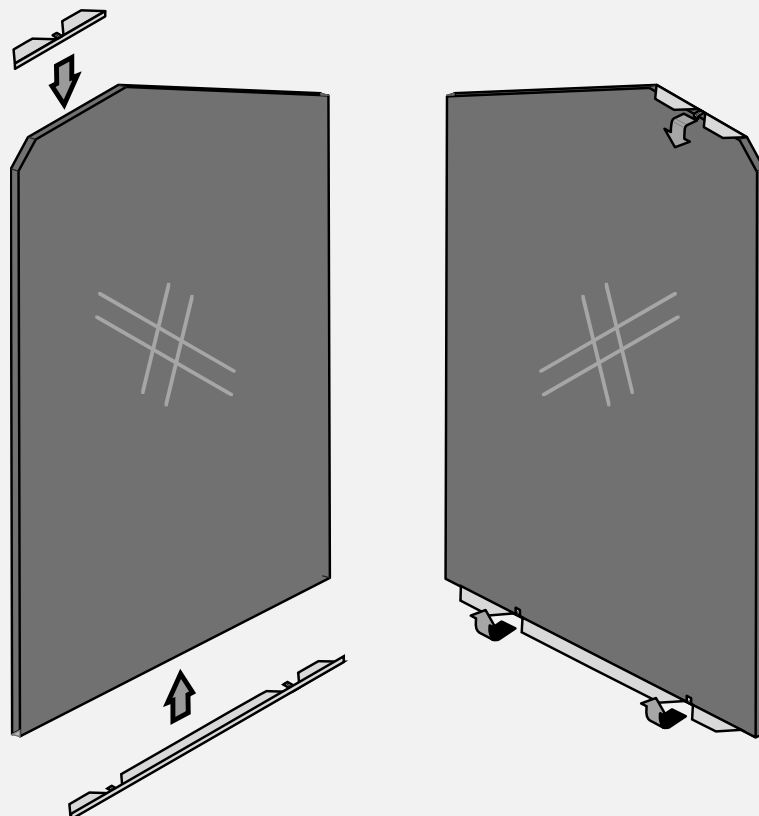


7. Prepare the side firebacks for installation. Each side uses (1) large spacer on the bottom of the panel and (1) small spacer on the top of the panel (just after the mitered corner). Place the spacers as shown below and bend the small tabs (1 on the top and 3 on the bottom) to secure the spacers to the glass.

NOTE: You may want to pre-bend the tabs before placing the spacer on the glass.

Front Side View

Rear Side View



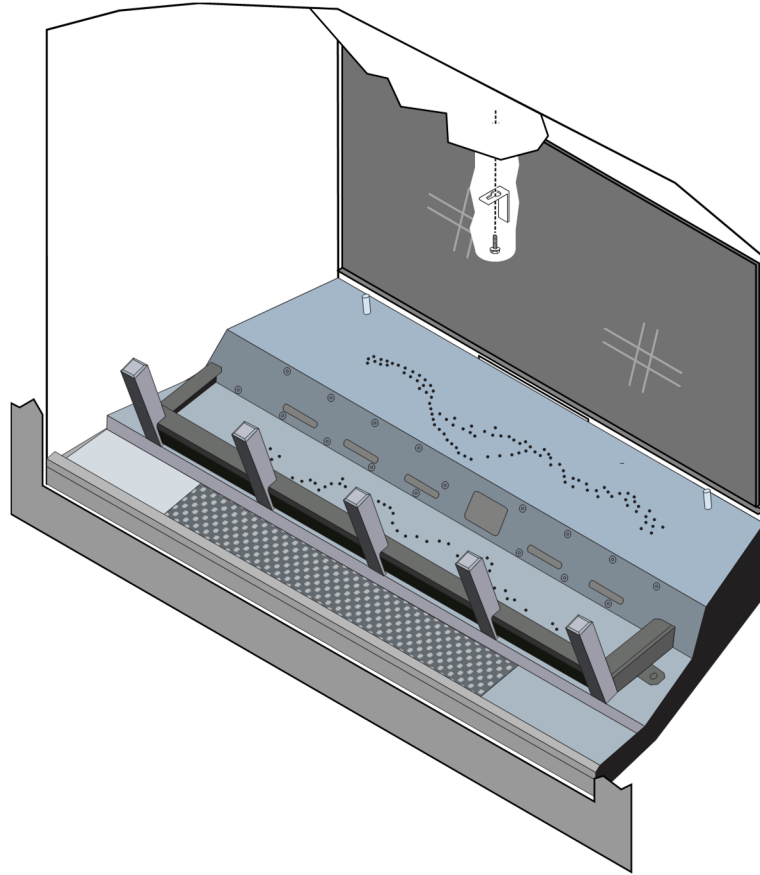
DVS/DVL EG Firebacks

8. Make sure the rear fireback is centered in the insert.

(DVL ONLY)

Replace the rear fireback clip to secure the rear fireback in place.

(DVS ONLY) The rear fireback will be held in place by the side firebacks in the next step. Support the rear fireback with your hand until at least one side fireback is in place (next step).



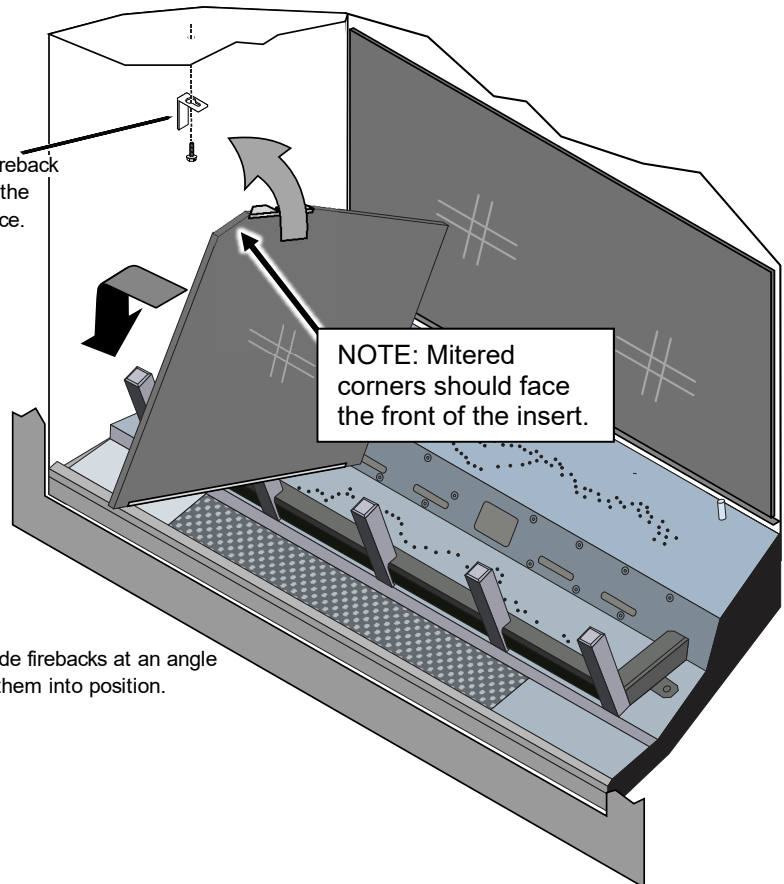
9. Install one of the side panels into the firebox as shown below. The side fireback rests on a shelf located to the side of the burner.

NOTE: Push the side fireback backward until it contacts the rear fireback.

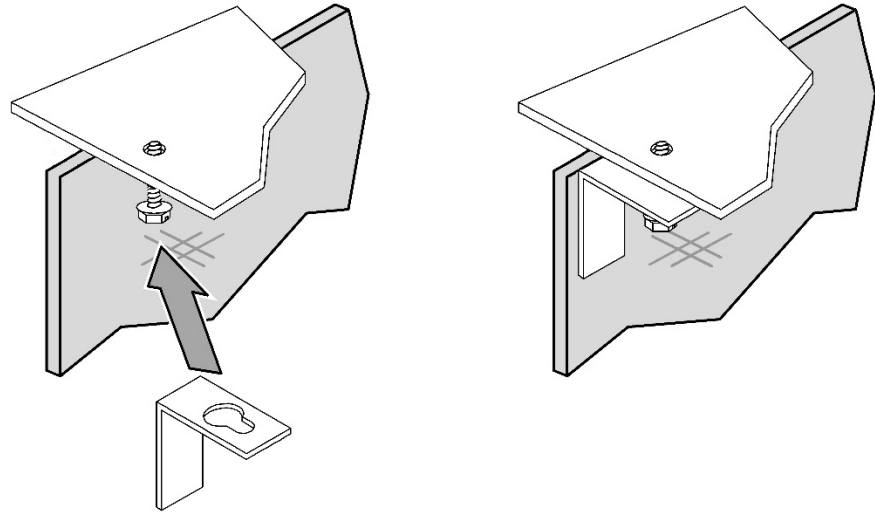
Replace the fireback clip to secure the fireback in place. (see step #8).

NOTE: Mitered corners should face the front of the insert.

Hold the side firebacks at an angle and place them into position.



10. Install a fireback clip (removed in step 2) over the screw. Slide the clip against the fireback (the fireback will be sandwiched between the clip and the side of the firebox). Tighten the screws to lock the glass in place (see below).



11. Repeat steps 8 and 9 for the opposite side fireback.
12. Reinstall the burner side covers removed in step 3.

NOTE: Slide the side burner covers toward the sides of the unit until they contact the side firebacks. Tighten the screws to hold them in place.