

- Direct Vent Freestanding Stove
- Natural Gas or Propane

Listed by



AS/NZS 5263.1.3 GMK10053  
IAPMO-R&T OCEANA

**WARNING:** If the information in these instructions is not followed exactly, a fire or explosion may result causing property damage, personal injury or loss of life.

- DO NOT PLACE ARTICLES ON OR AGAINST THIS APPLIANCE.
- DO NOT USE OR STORE FLAMMABLE MATERIALS NEAR THIS APPLIANCE.
- DO NOT SPRAY AEROSOLS IN THE VICINITY OF THIS APPLIANCE WHILE IT IS IN OPERATION.
- DO NOT MODIFY THIS APPLIANCE.
- Do not store or use gasoline or other flammable vapors and liquids in the vicinity of this or any other appliance.

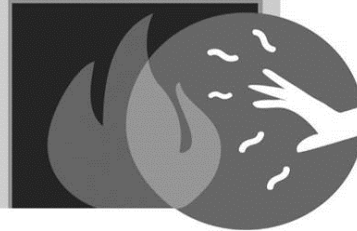
#### WHAT TO DO IF YOU SMELL GAS

- Do not try to light any appliance.
- Do not touch any electrical switch; do not use any phone in your building.
- Immediately call gas supplier from a neighbor's phone. Follow the gas supplier's instructions.
- If you cannot reach your gas supplier, call the fire department.
- Installation and service must be performed by a qualified installer, service agency or the gas supplier.

This appliance may be installed in an aftermarket permanently located, manufactured home (USA only) or mobile home, where not prohibited by local codes.

*This appliance is only for use with the type(s) of gas indicated on the rating plate. A conversion kit is supplied with the appliance.*

## WARNING



**HOT GLASS WILL  
CAUSE BURNS.  
DO NOT TOUCH GLASS  
UNTIL COOLED.  
NEVER ALLOW CHILDREN  
TO TOUCH GLASS.**

## Greenfield GSR2 (AU) Manual

**INSTALLER:** Leave this manual with the appliance.

**CONSUMER:** Retain this manual for future reference.

© Copyright 2018, T.I. \$10.00 7/19/2018 100-01479

Dragon Wholesaling Pty. Ltd.

Unit 4, 16 Lexington Drive

Bella Vista NSW 2153

Australia

## Introduction

We welcome you as a new owner of a Lopi Greenfield GSR2 stove. In purchasing a Greenfield you have joined the growing ranks of concerned individuals whose selection of an energy system reflects both a concern for the environment and aesthetics. The Greenfield is one of the finest home heaters the world over. This manual will explain the installation, operation, and maintenance of this stove. Please familiarize yourself with the Owner's Manual before operating your heater and save the manual for future reference. Included are helpful hints and suggestions that will make the operation and maintenance of your new stove an easier and more enjoyable experience. We offer our continual support and guidance to help you achieve the maximum benefit and enjoyment from your heater.

## Important Information

No other Greenfield Stove has the same serial number as yours. The serial number is on the listing plate chained to the gas control valve.

This serial number will be needed in case you require service of any type.

Model: Lopi Greenfield GSR2

Serial Number: \_\_\_\_\_

Purchase Date: \_\_\_\_\_

Purchased From: \_\_\_\_\_

**Register your warranty online at:**

[lopi.com.au](http://lopi.com.au)

**Save Your Bill of Sale.**

To receive full warranty coverage, you will need to show evidence of the date you purchased your heater. Do not mail your Bill of Sale to us.

We suggest that you attach your Bill of Sale to this page so that you will have all the information you need in one place should the need for service or information occur..



We suggest that our gas hearth products be installed and serviced by professionals who are certified in the U.S. by the National Fireplace Institute® (NFI) as NFI Gas Specialists.

<b>Introduction</b> .....	2	<b>Front Ember Chunk Placement</b> .....	33
<b>Important Information</b> .....	2	<b>Ember Placement</b> .....	34
Features:.....	6	<b>Rockwool Installation</b> .....	34
Installation Options: .....	6	<b>Before You Begin</b> .....	35
<b>Heating Specifications</b> .....	6	<b>Remote Set-Up</b> .....	36
<b>Dimensions &amp; Weight</b> .....	6	Verify the Switch is on “REMOTE” .....	36
<b>Electrical Specifications (for optional blower)</b>	6	Synchronize the Transmitter to the IFC .....	36
<b>Fuel</b> .....	6	Clearing the System Memory.....	36
<b>Top to Rear Vent Modification</b> .....	7	<b>Location of Controls</b> .....	37
<b>Packing List</b> .....	8	<b>Direct Operation</b> .....	37
<b>Additional Items Required</b> .....	8	<b>Starting the Stove for the First Time</b> .....	38
<b>Installation Overview</b> .....	8	<b>Intermittent/Continuous Pilot</b> .....	38
<b>Stove Clearances</b> .....	9	<b>Remote Operation</b> .....	39
<b>Top to Rear Vent Modification</b> .....	10	Display Overview .....	39
<b>Heater Placement Requirements</b> .....	10	Listen for the “Beep” .....	39
<b>Mobile Home Requirements</b> .....	10	<b>Manual On-Off / Smart Thermostat / Standard</b>	
<b>Floor Protection Requirements</b> .....	10	<b>Thermostat</b> .....	40
<b>Electrical Requirements</b> .....	10	<b>Mode Controls (Flame, Blower, Light,</b>	
<b>Gas Line Installation</b> .....	11	<b>Comfort Control)</b> .....	41
Gas Inlet Pressure .....	11	Flame Height.....	41
<b>Vent Requirements</b> .....	12	Blower Speed.....	41
<b>Approved Vent Configurations</b> .....	13	<b>Mode Controls - continued</b> .....	42
<b>Rear Vent Configuration with No Rise</b> .....	16	<b>Display Fahrenheit or Celsius</b> .....	42
<b>Rear Vent Configuration with Horizontal</b>		<b>Low Battery Indicator</b> .....	43
<b>Termination</b> .....	17	Transmitter Batteries.....	43
<b>Rear Vent Configuration with Vertical</b>		IFC Batteries .....	43
<b>Termination</b> .....	18	<b>Battery Replacement</b> .....	43
<b>Rear Vent Configuration Vented into</b>		Battery Installation .....	43
<b>Fireplace with Co-Linear Adapter</b> .....	19	Transmitter Battery Installation .....	43
<b>Top Vent Configuration with Vertical</b>		<b>Power Outages</b> .....	43
<b>Termination</b> .....	20	<b>Child-Proof Feature</b> .....	44
<b>Top Vent Configuration with Horizontal</b>		<b>Normal Operating Sounds</b> .....	44
<b>Termination</b> .....	21	<b>Normal Operating Odors</b> .....	44
<b>Vent Termination Requirements (see</b>		<b>Maintaining Your Stove's Appearance</b> .....	45
<b>illustration below)</b> .....	22	<b>Accent Light Replacement</b> .....	46
<b>Class A Chimney Conversion Kit (top vent</b>		<b>Yearly Service Procedure</b> .....	47
<b>configuration only)</b> .....	23	<b>Troubleshooting Table</b> .....	48
<b>Interior Masonry Chimney Conversions (top</b>		Location of Fuses.....	48
<b>vent configuration only)</b> .....	24	<b>Replacement Parts List</b> .....	49
<b>Steps for Finalizing the Installation</b> .....	25	<b>Wiring Diagram</b> .....	49
Air Shutter Adjustment .....	26	Safety Label.....	51
<b>Face and Glass Removal</b> .....	27	<b>CONDITIONS &amp; EXCLUSIONS</b> .....	52
<b>Log Installation</b> .....	29	<b>IF WARRANTY SERVICE IS NEEDED:</b> .....	52
Preparing the Burner .....	29	<b>LP Conversion Instructions</b> .....	53
Ember Trays .....	29	<b>Index</b> .....	60
Rear Log Placement .....	30		
Left Log Placement .....	30		
Right Log Placement .....	31		
Left Twig Placement .....	31		
Right Twig Placement.....	32		

- Failure to follow all of the requirements may result in property damage, bodily injury, or even death.

**Young children should be carefully supervised when they are in the same room as the appliance. Toddlers, young children and others may be susceptible to accidental contact burns. A physical barrier is recommended if there are at risk individuals in the house. To restrict access to a fireplace or stove, install an adjustable safety gate to keep toddlers, young children and other at risk individuals out of the room and away from hot surfaces.**

**Children and adults should be alerted to the hazards of high surface temperature and should stay away to avoid burns or clothing ignition. Do not touch the hot surfaces of the heater. Educate all children of the danger of a high-temperature heater.**

**Due to the high temperature, the heater should be located out of traffic and away from furniture and draperies.**

- This unit must be installed by a qualified installer to prevent the possibility of an explosion.
- This appliance must be installed in accordance with all local codes, if any; if not, in U.S.A. follow ANSI Z223.1 and NFPA 54(88), in Canada follow CSA B149.1. In Australia follow AS/NZS 5601.1.
- A manufactured home (USA only) or mobile home OEM installation must conform with the Manufactured Home Construction and Safety Standard, Title 24 CFR, Part 3280, or, when such a standard is not applicable, the Standard for Manufactured Home Installations, ANSI/NCSCS A225.1, or Standard for Gas Equipped Recreational Vehicles and Mobile Housing, CSA Z240.4. This appliance may be installed in Manufactured Housing only after the home is site located.
- All exhaust gases must be vented outside the structure of the living-area. Combustion air is drawn from outside the living-area structure. The venting must not be connected to a chimney flue serving a separate solid-fuel burning appliance.
- Notify your insurance company before hooking up this fireplace.
- The instructions in this manual must be strictly adhered to. Do not use makeshift methods or compromise in the installation. Improper installation will void the warranty and safety listing.
- This heater is approved for use with natural gas (NG) or propane (LP). Burning the incorrect fuel will void the warranty and safety listing and may cause an extreme safety hazard. Direct questions about the type of fuel used to your dealer.
- Contact your local building officials to obtain a permit and information on any installation restrictions or inspection requirements in your area.
- If the flame becomes sooty, dark orange in color, or extremely tall, do not operate the heater. Call your dealer and arrange for proper servicing.
- It is imperative that control compartments, screens, or circulating air passageways of the heater be kept clean and free of obstructions. These areas provide the air necessary for safe operation.
- Do not operate the heater if it is not operating properly in any fashion or if you are uncertain. Call your dealer for a full explanation of your heater and what to expect.
- Do not store or use gasoline or other flammable liquids in the vicinity of this heater.
- Do not operate if any portion of the heater was submerged in water or if any corrosion occurs. Immediately call a qualified service technician to inspect the appliance and to replace any part of the control system and any gas control which has been under water.

## Safety Warnings (continued)

- Because this heater can be controlled by a thermostat there is a possibility of the heater turning on and igniting any items placed on or near the appliance.
- Light the heater using the built-in igniter. Do not use matches or any other external device to light your heater.
- Never remove, replace, modify or substitute any part of the heater unless instructions are given in this manual. All other work must be done by a trained technician. Don't modify or replace orifices.
- The viewing glass should be opened only for conducting service.
- Allow the heater to cool before carrying out any maintenance or cleaning.
- Operate the heater according to the instructions included in this manual.
- If the main burners do not start correctly turn the gas off and call your dealer for service.
- This unit is not for use with solid fuel.
- Do not place anything inside the firebox (except the optional artwork).
- **Warning:** Do not operate appliance with the glass front removed, cracked or broken. Replacement of the glass should be done by a licensed or qualified service person.
- Do not throw this manual away. This manual has important operating and maintenance instructions that you will need at a later time. Always follow the instructions in this manual.
- Instruct everyone in the house how to shut gas off to the appliance and at the gas main shutoff valve. The gas main shutoff valve is usually next to the gas meter or propane tank and requires a wrench to shut off.
- A barrier designed to reduce the risk of burns from the hot viewing glass is provided with this appliance and shall be installed for the protection of children and other at-risk individuals.
- If the barrier becomes damaged, the barrier shall be replaced with the manufacturer's barrier for this appliance.
- Clothing or other flammable material should not be placed on or near the appliance.
- Any safety screen, guard, or barrier removed for servicing an appliance must be replaced prior to operating the appliance.
- Installation and repair should be done by a qualified service person. The appliance should be inspected before use and at least annually by a professional service person. More frequent cleaning might be required due to excessive lint from carpeting, bedding material, et cetera. It is imperative that control compartments, burners, and circulating air passageways of the appliance be kept clean.
- **Travis Industries, Inc. grants no warranty, implied or stated, for the installation or maintenance of your heater, and assumes no responsibility of any consequential damage(s).**

### **SAFETY WARNINGS:**

- **DO NOT PLACE ARTICLES ON OR AGAINST THIS APPLIANCE.**
- **DO NOT USE OR STORE FLAMMABLE MATERIALS NEAR THIS APPLIANCE.**
- **DO NOT SPRAY AEROSOLS IN THE VICINITY OF THIS APPLIANCE WHILE IT IS IN OPERATION.**
- **DO NOT MODIFY THIS APPLIANCE.**
- **THIS INSTALLATION MUST CONFORM WITH THE FOLLOWING:**
  - Manufacturer's Installation instructions
  - Local Gas Fitting Regulations
  - Municipal Building Codes,
  - Refer to AS/NZS 5601.1 for Gas Installations.
  - S.A.A. Wiring Code
  - Local Electrical Regulations
  - Any other statutory regulations
- **NOT SUITABLE FOR MARINE USE.**
- **NOT INTENDED FOR FIREPLACE INSERT.**
- **APPLIANCES INCORPORATING A LIVE FUEL EFFECT, AND DESIGNED TO OPERATE WITH LUMINOUS FLAMES, MAY EXHIBIT SLIGHT CARBON DEPOSITION.**

**Features:**

- Works During Power Outages (battery backup system)
- High Efficiency
- Remote Control with Thermostat
- Includes High-Tech Blower for Quick Heat Distribution
- Convenient Operating Controls
- Variable-Rate Heat Output
- Accent Light

**Installation Options:**

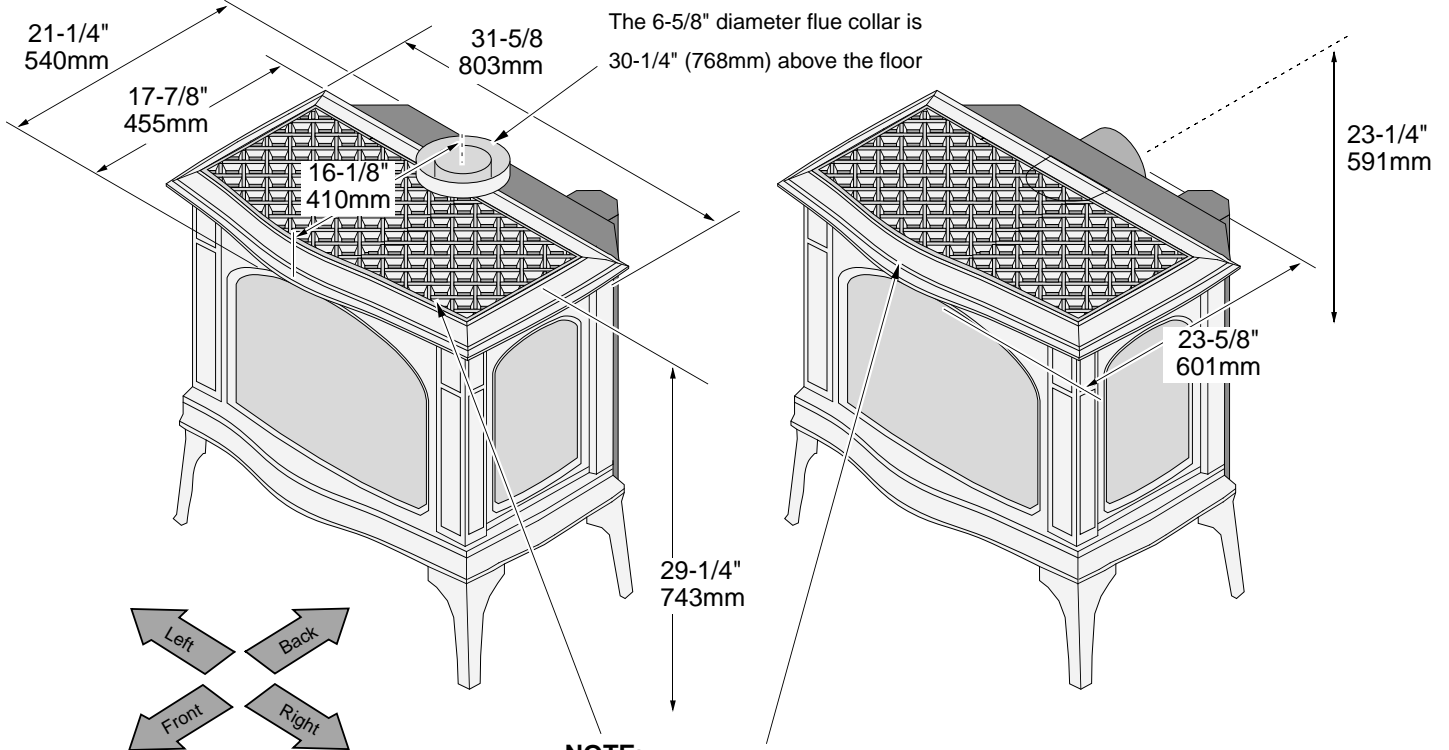
- Freestanding Stove
- Horizontal or Vertical Vent
- Residential or Mobile Home
- Straight or Corner Placement
- Bedroom Approved

**Heating Specifications**

Approximate Heating Capacity (in square meters)* .....	111 – 186
Maximum Input NG .....	38.3 MJ/h
Maximum Input LP .....	44.5 MJ/h
Minimum Input NG .....	11.9 MJ/h
Minimum Input LP .....	8.5 MJ/h

• Heating capacity will vary depending on the home's floor plan, degree of insulation, and the outside temperature.

**Dimensions & Weight**



**NOTE:**

Measure side, corner, and back clearances from the stove top.

Weight 310 Lbs. (140 Kg)

**Electrical Specifications**

Electrical Rating ..... 240 Volts, 0.75 Amps, 60 Hz (180 watt)

**Fuel**

This heater is shipped in natural gas (NG) configuration but may be converted to propane (LP) using the included LP conversion kit. The sticker on top of the gas control valve will verify the correct fuel.



## **Installation Warnings**

- ! Failure to follow all of the requirements may result in property damage, bodily injury, or even death.
- ! This heater must be installed by a qualified installer who has gone through a training program for the installation of direct vent gas appliances.
- ! This appliance must be installed in accordance with all local codes, if any; if not, in U.S.A. follow ANSI Z223.1 and NFPA 54(88), in Canada follow CSA B149.1. In Australia follow AS/NZS 5601.1.
- ! A manufactured home (USA only) or mobile home OEM installation must conform with the Manufactured Home Construction and Safety Standard, Title 24 CFR, Part 3280, or, when such a standard is not applicable, the Standard for Manufactured Home Installations, ANSI/NCSCS A225.1, or Standard for Gas Equipped Recreational Vehicles and Mobile Housing, CSA Z240.4.
- ! This stove is designed to operate on natural gas or propane (LP).
- ! All exhaust gases must be vented outside the structure of the living-area. Combustion air is drawn from outside the living-area structure.
- ! Notify your insurance company before hooking up this stove.
- ! The requirements listed below are divided into sections. All requirements must be met simultaneously. The order of installation is not rigid – the qualified installer should follow the procedure best suited for the installation.

### **SAFETY WARNINGS:**

- **DO NOT PLACE ARTICLES ON OR AGAINST THIS APPLIANCE.**
- **DO NOT USE OR STORE FLAMMABLE MATERIALS NEAR THIS APPLIANCE.**
- **DO NOT SPRAY AEROSOLS IN THE VICINITY OF THIS APPLIANCE WHILE IT IS IN OPERATION.**
- **DO NOT MODIFY THIS APPLIANCE.**
- **THIS INSTALLATION MUST CONFORM WITH THE FOLLOWING:**
  - Manufacturer's Installation instructions
  - Local Gas Fitting Regulations
  - Municipal Building Codes,
  - Refer to AS/NZS 5601.1 for Gas Installations.
  - S.A.A. Wiring Code
  - Local Electrical Regulations
  - Any other statutory regulations
- **NOT SUITABLE FOR MARINE USE.**
- **NOT INTENDED FOR FIREPLACE INSERT.**
- **APPLIANCES INCORPORATING A LIVE FUEL EFFECT, AND DESIGNED TO OPERATE WITH LUMINOUS FLAMES, MAY EXHIBIT SLIGHT CARBON DEPOSITION.**

## ***Top to Rear Vent Modification***

**NOTE: If converting to rear vent, you will need the Minimum Vent Kit "D" (sku 96200317) from Travis Industries. This kit includes the necessary rear vent parts and installation instructions. Make sure to review the vent configurations for rear vent before proceeding.**

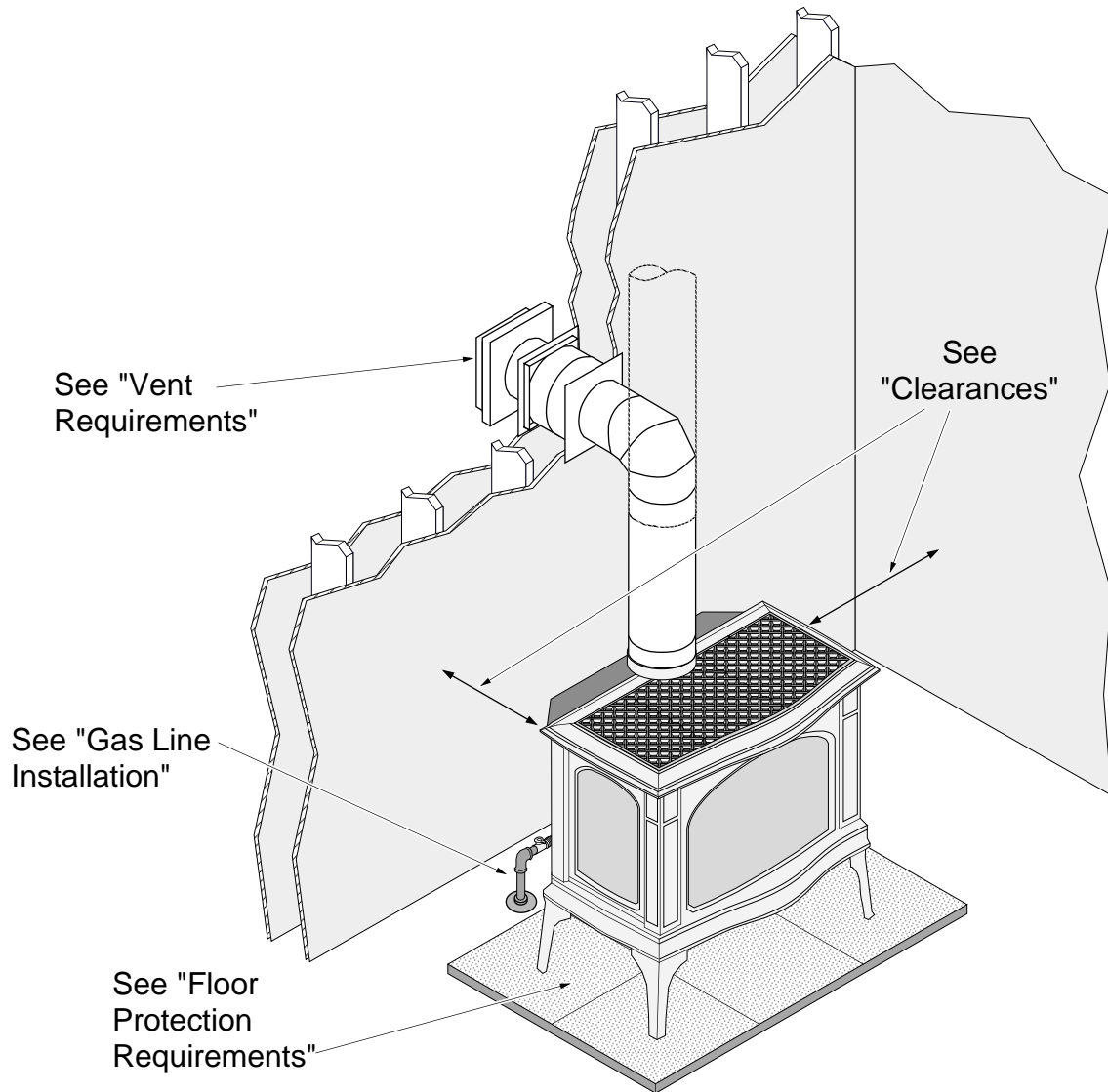
## ***Packing List***

- Remote Control
- Propane Conversion Kit
- Log Set
- ½" FPT to 3/8" Flare Fitting
- Rear Vent Cover

## ***Additional Items Required***

- Vent (see "Venting Requirements" for details)
- Gas Line Equipment (shutoff valve, pipe, etc.)
- LP Units Require GSR Stepper Motor  
(4-pack = 94400999, single = 250-01463)

## ***Installation Overview***



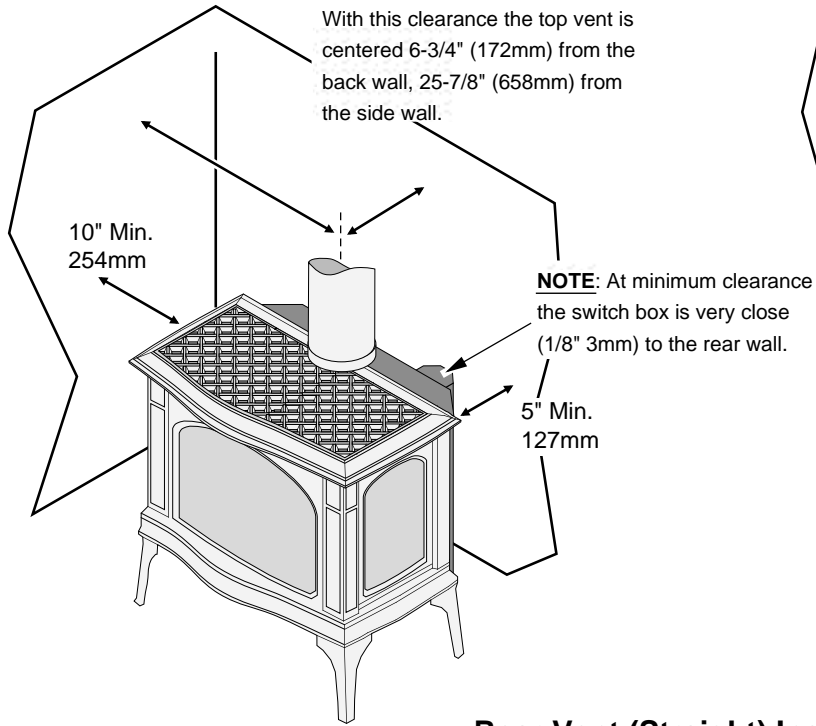
## ***Installation Hints***

- If converting to LP, convert the appliance prior to installation.
- Install the logs last - they are fragile.
- When determining the location of the stove, locate the wall studs (for horizontal penetrations) and ceiling trusses (for vertical penetrations). You may wish to adjust the stove position slightly to ensure the vent does not intersect with a framing member.
- Fumes and smoke from the paint curing and oil burning off the steel may occur the first time you start this heater. This is normal. We recommend you open windows to vent the room.

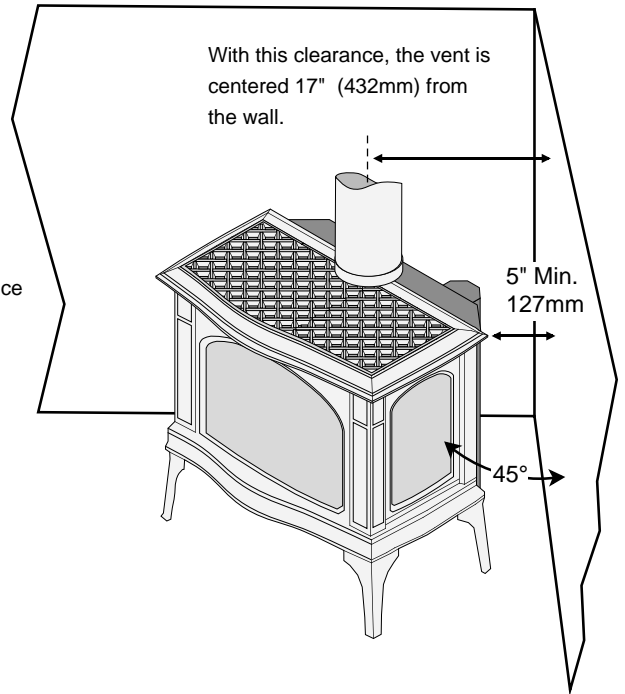


## Stove Clearances

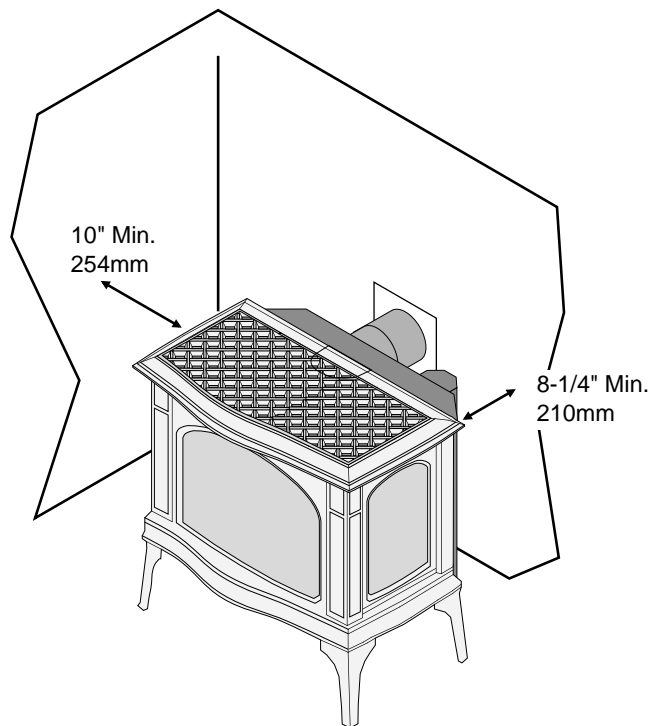
### Top Vent Straight Installations



### Top Vent Corner Installations



### Rear Vent (Straight) Installations



**i** Rear vent installations may not use an elbow with a horizontal termination. We recommend using a top vent configuration if placed in a corner

***Top to Rear Vent Modification***

**NOTE: The rear vent parts are included in the Minimum Vent Kit “D” (sku 96200317). If using the rear vent configuration, make sure to review vent configuration before proceeding.**

***Heater Placement Requirements***

- Heater must be installed on a level surface capable of supporting the heater and vent
- Due to the high temperature, the heater should be located out of traffic and away from furniture and draperies.
- When placed in a location where the floor to ceiling height is under 7 feet (2134mm), the installation is considered an alcove and must meet the following requirements:
  - The alcove floor to ceiling height must be at least 48” (1219mm) tall
  - The alcove must not be more than 36” (915mm) deep before the ceiling returns to 7’ (2134mm)
  - The alcove must be at least 51-5/8” (1311mm) wide
- The heater must not be placed so the vents below or above the door, along the sides of heater, or along the back of the heater can become blocked.
- This heater may be placed in a bedroom. Please be aware of the large amount of heat this appliance produces when determining a location.

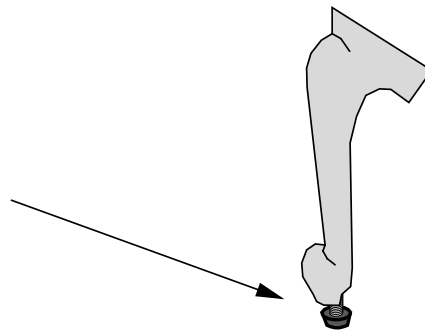
***Mobile Home Requirements***

- When the stove is installed in a mobile home, it must be bolted to the floor and the appliance grounded (use the optional blower with a grounded circuit or other suitable grounding method - current ANSI/NFPA 70 or CSA C22.1).

***Floor Protection Requirements***

- When the stove is installed directly on carpeting, vinyl or other combustible material other than wood flooring or a high pressure laminate wood floor, the stove must be installed on a non-combustible or wood protection panel extending the full width and depth of the heater.

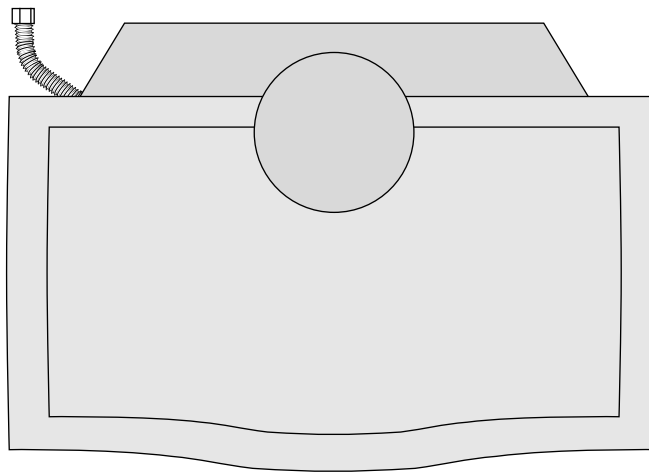
Make sure these rubber tipped bolts on each leg contact the floor (they dampen any noise that may transmit through the hearth). Do not adjust with weight on the legs, the rubber tips may tear.

***Electrical Requirements***

- Plug the stove into a grounded receptacle supplying a minimum 1.5 amps (240 Volts).
- The appliance, when installed, must be electrically grounded in accordance with local codes.

## Gas Line Installation

- The gas line must be installed in accordance with all local codes and the requirements listed below. In the absence of local codes, follow ANSI 223.1 in US/Canada or AS/NZS 5601.1 in Australia.
- ! The heater and gas control valve must be disconnected from the gas supply piping during any pressure testing of that system at test pressures in excess of 1/2 psig (3.45 kPA). For pressures under 1/2 psig (3.45 kPA), isolate the gas supply piping by closing the manual shutoff valve.
- This heater is designed for natural gas but can be converted to propane. Check the sticker on top of the gas control valve to verify the correct fuel is used (see page 4).
- Leak test all gas line joints and the gas control valve prior to and after starting the heater.
- The location of the gas inlet is shown below
- A manual shutoff valve is required for installation (it must be located within 3' of the heater). T-Handle gas cocks are required in Massachusetts in compliance with code 248CMR.
- This stove is shipped with a 18" long, 3/8" diameter flex gas line attached to an elbow on the gas control valve that is routed to the rear left of the appliance (see illustration below). It protrudes approximately 4" from the rear of the stove. The flex accepts a 3/8" flare fitting.



### Gas Inlet Pressure

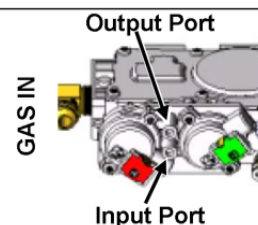
<b>Gas Pressure</b>	Max. Input Pressure	Min. Input Pressure	Max. Manifold Pressure
<b>Natural Gas</b>	7" W.C. (1.74 kPA)	4.54" W.C. (1.13 kPA)	3.5" W.C. (0.88 kPA)
<b>Propane</b>	13" W.C. (3.24 kPA)	11" W.C. (2.74 kPA)	10.6" W.C. (2.64 kPA)

- If the pressure is not sufficient, make sure the piping used is large enough, the supply regulator is adequately adjusted, and the total gas load for the residence does not exceed the amount supplied.
- The supply regulator (the regulator that attaches directly to the residence inlet or to the propane tank) should supply gas at the suggested input pressure listed above. Contact the local gas supplier if the regulator is at an improper pressure.

#### Directions for Connecting a Gas Pressure Test Gauge

The gas control valve (shown to the right) has two test ports for testing input (line pressure) and output (manifold) pressure. Loosen the brass screw on either test port and place a 5/16" i.d. rubber or plastic tube over the tapered test port. Connect the tube to the test gauge.

**WARNING:** The brass screw must be tightened after testing to prevent gas leakage.



## Vent Requirements

- The gas appliance and vent system must be vented directly to the outside of the building, and never be attached to a chimney serving a separate solid fuel or gas-burning appliance. Each direct vent gas appliance must use its own separate vent system.
- In addition to the requirements listed here, follow the requirements provided with the vent.
- When the vent passes through a wall a wall thimble is required. When the vent passes through a ceiling a support box or firestop is required. When the vent passes through the roof, a roof flashing and storm collar are required. Follow the instructions provided with the vent for installing these items. NOTE: Wall thimbles may have different dimensions than what is required by this heater.
- The vent must maintain the required clearance to combustible materials to prevent a fire. Do not fill air spaces with insulation.

<u>Minimum Clearance</u>	Above, Below or Side of Vent
Top Vent Configuration	1"
Rear Vent Configuration	1"

- Installation instructions for Simpson Dura-Vent may be found at [www.duravent.com](http://www.duravent.com)

## **Altitude Considerations**

- Failure to adjust the air shutter properly may lead to improper combustion which can create a safety hazard. Consult your dealer or installer if you suspect an improperly adjusted air shutter.
- This heater has been tested at altitudes ranging from sea level to 6,000 feet (1,800 M). In this testing we have found that the heater, with its standard orifice, burns correctly with just an air shutter adjustment.

## **Approved Vent – Top Vent Configuration**

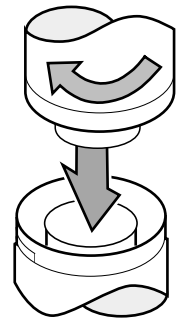
- Use 6-5/8" (168mm) diameter Simpson Dura-Vent Direct-Vent Pro (or GS)\*.  
\* Other vent may be approved with this stove. Check with the vent manufacturer for details.
- Always use the high-wind cap (part # 46DVA-VCH or 46DVA-HC).

## **Approved Vent – Rear Vent Configuration**

- **WITH NO VENT RISE:** Must use Travis Industries Minimum Vent Kit D (Part # 96200317) only.
- **WITH VENT RISE:** Use Travis Industries Rear Vent Conversion ( Part # 94400998) with 8" (204mm) diameter Simpson Dura-Vent Direct-Vent Pro (or GS)\*. Always use the high-wind cap (part # 58DVA-VCH or 58DVA-HC).  
\* Other vent may be approved with this stove. Check with the vent manufacturer for details.

## **Vent Installation**

- Slide the vent sections together and turn 1/4 turn until the sections lock in place.
- Screws are not required to secure the vent. However, three screws may be used to secure vent sections together if desired.
- Horizontal sections require a 1/4" rise every 12" of travel
- Horizontal sections require non-combustible support every three feet (e.g.: plumbing tape)

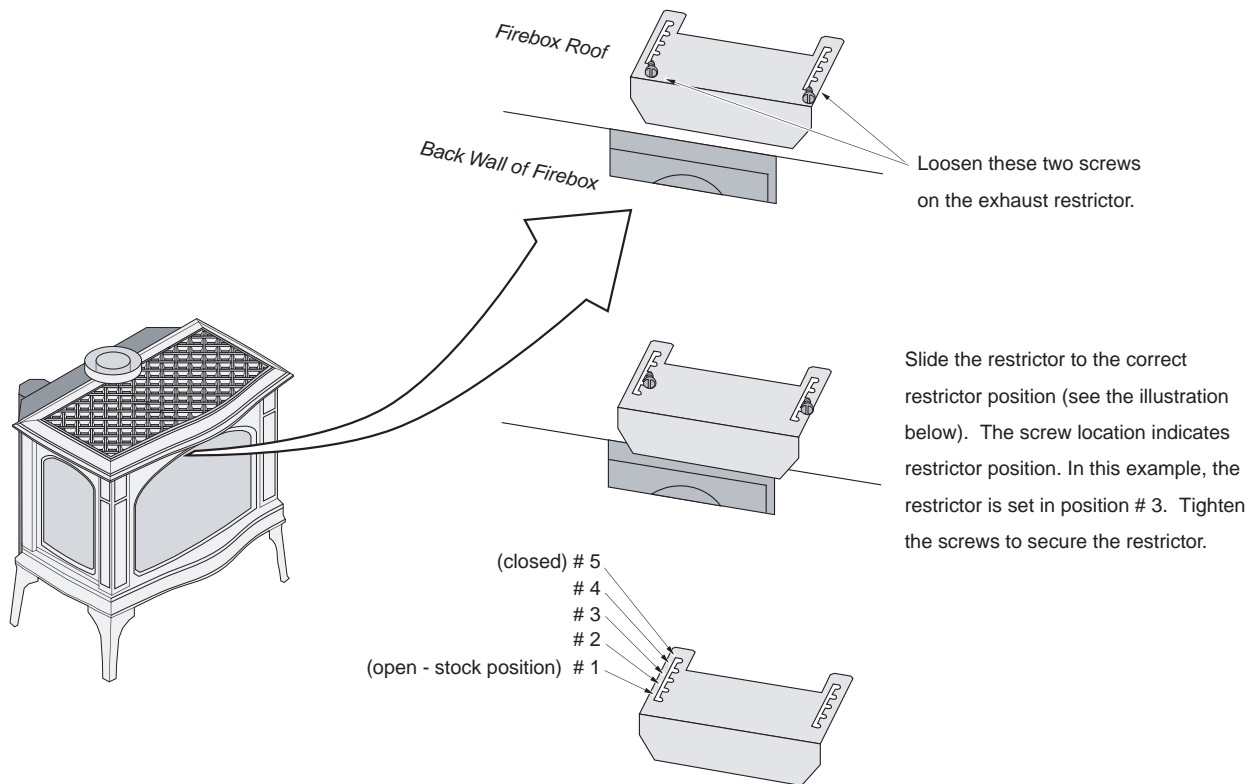


## Approved Vent Configurations

### Exhaust Restrictor Position

- An exhaust restrictor is built into the appliance to control the flow rate of exhaust gases. This ensures proper flames for the wide variety of vent configurations. Depending upon the vent configuration, you may be required to adjust the restrictor position. The charts for approved vent configurations describe which position the vent restrictor should be in.

**NOTE:** If the vent configuration calls for restrictor removal, replace the screws into the holes in the firebox ceiling to seal the firebox.

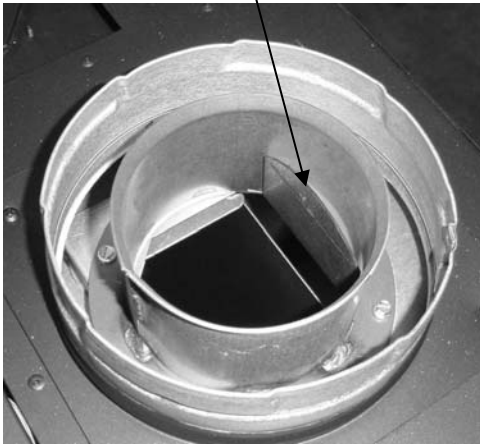


## Closing the Diffuser

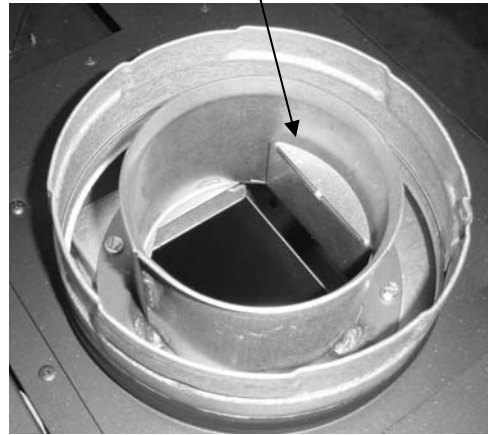
**IMPORTANT NOTE:** The diffuser can be easily closed with no vent in place. Consult the vent configuration charts to determine diffuser position. If the diffuser needs to be in the closed position, adjust the diffuser prior to installing vent.

- To close the diffuser, reach into the vent starter section and bend the diffuser back (see photos below). You may need a screwdriver to bend the upper portion of the diffuser 90° (see photos below).

Diffuser Open (stock – position # 1)



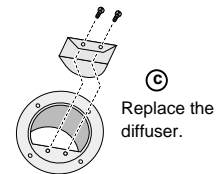
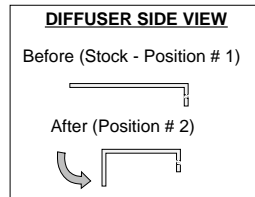
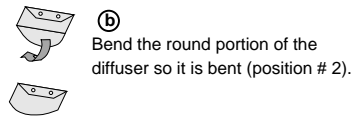
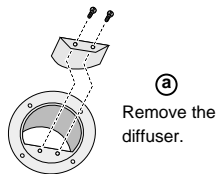
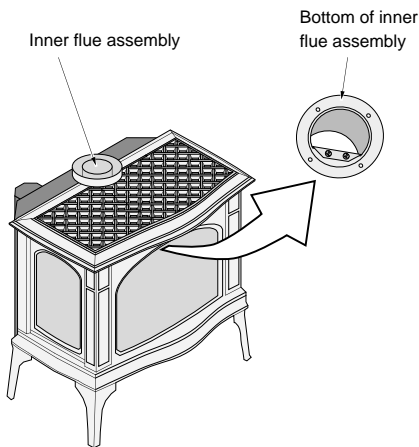
Diffuser Closed (position # 2)



## Closing the Diffuser After Vent is Installed

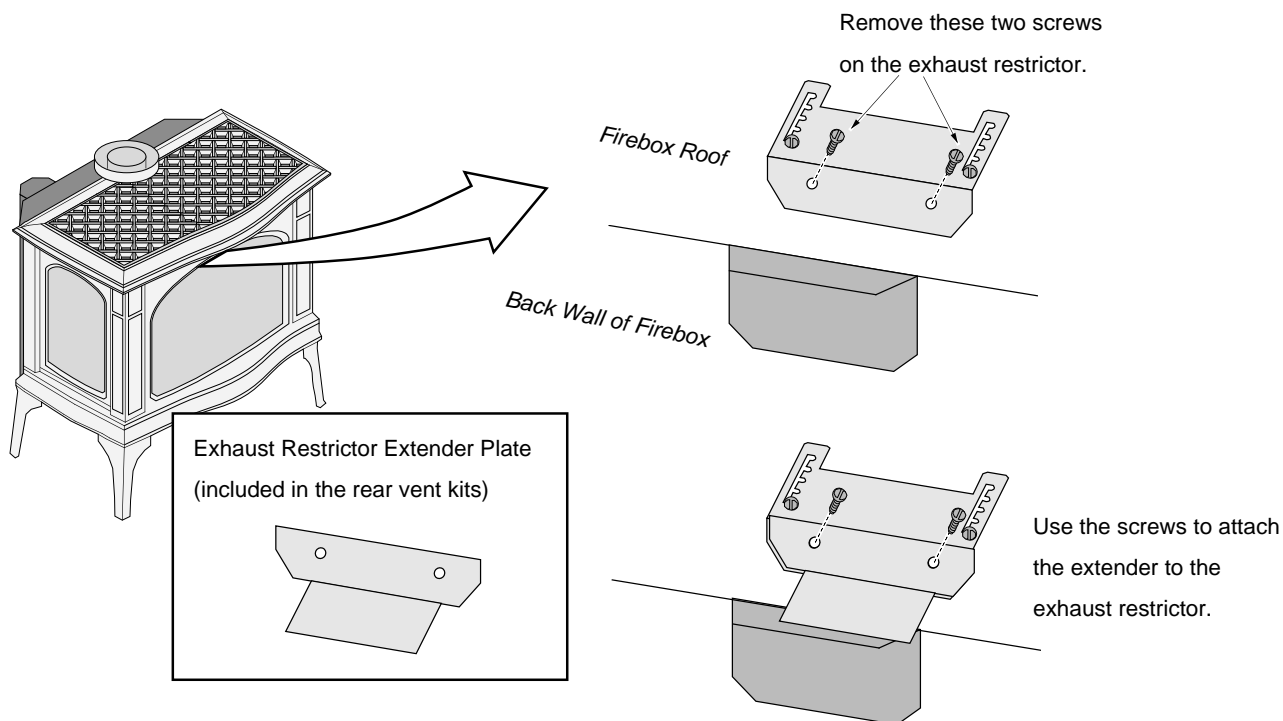
- The diffuser may be removed from within the firebox and bent into the closed position. This requires removal of the burner, fireback shelf, and rear firebox wall (rivet cover). Once removed, the diffuser may be removed from below, bent 90°, and re-installed. See the illustration below.

The diffuser is found on the inner flue assembly (see Top to Rear Vent Configuration for details).

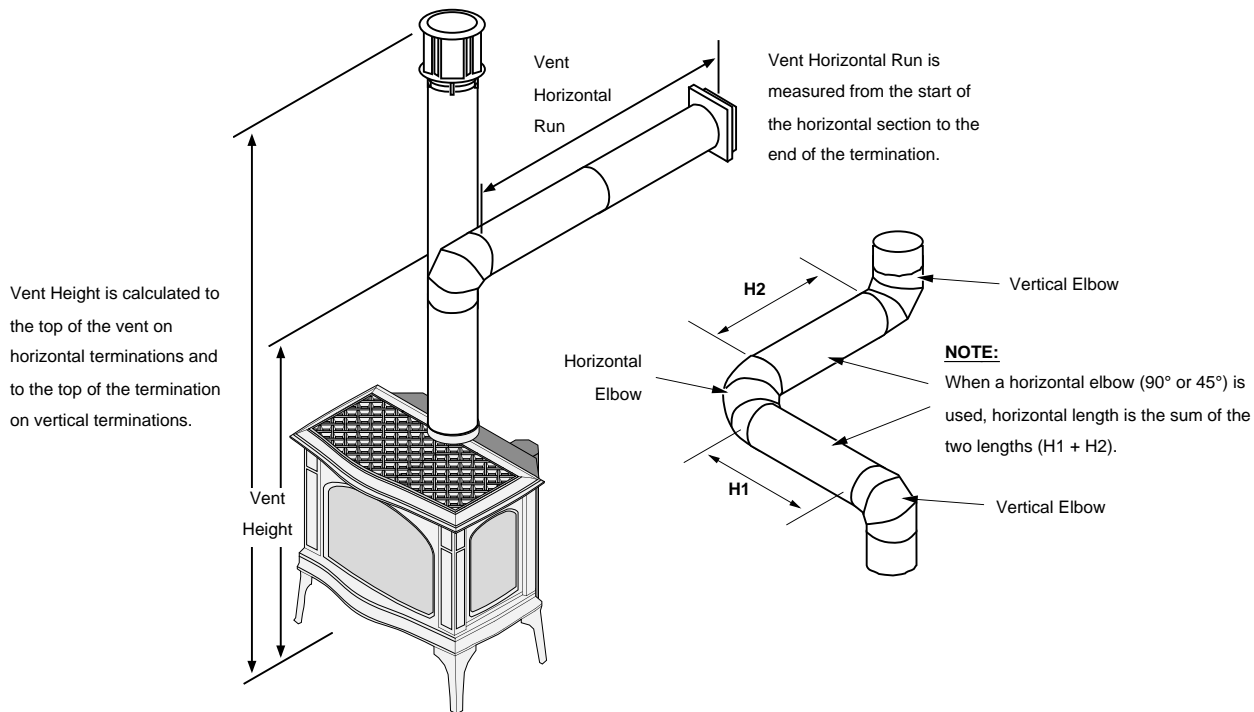


## Exhaust Restrictor Extender (for rear vent configurations only)

- Follow the directions below to install the exhaust restrictor extender.

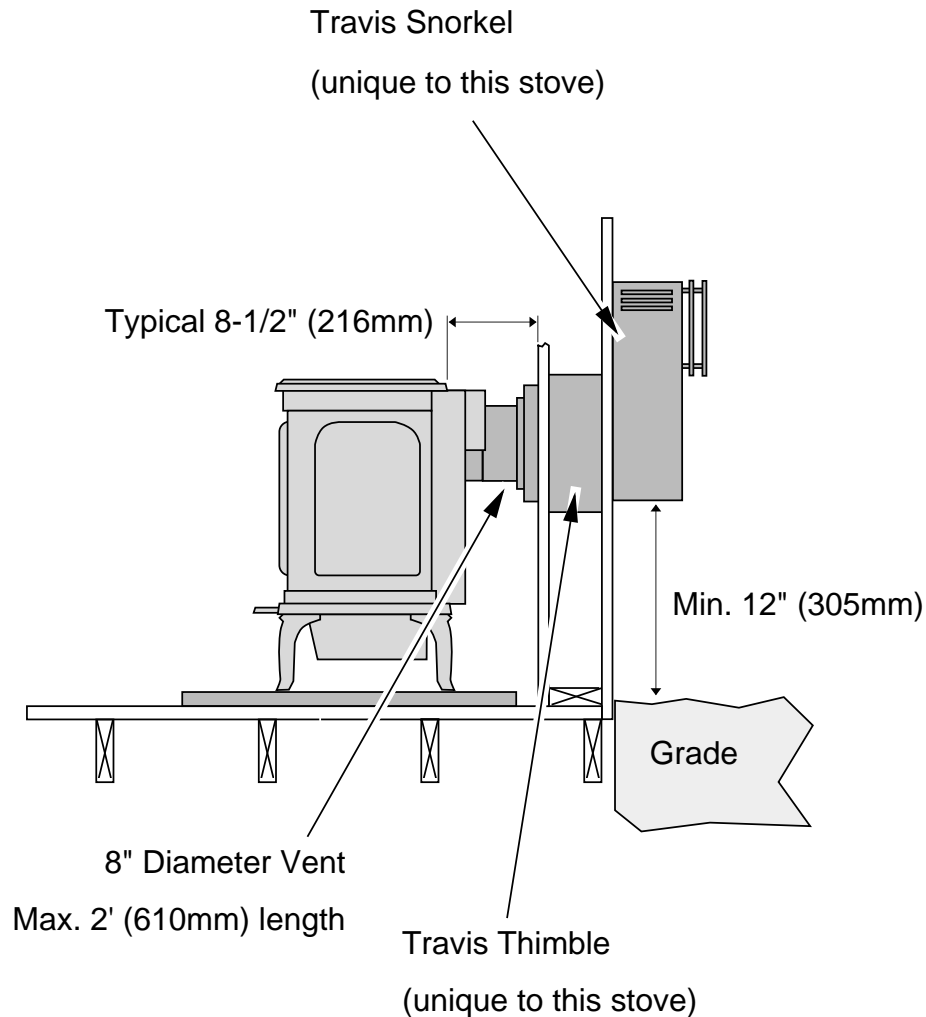


## Measuring Vent Lengths



## ***Rear Vent Configuration with No Rise***

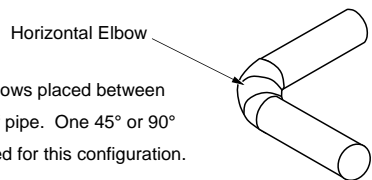
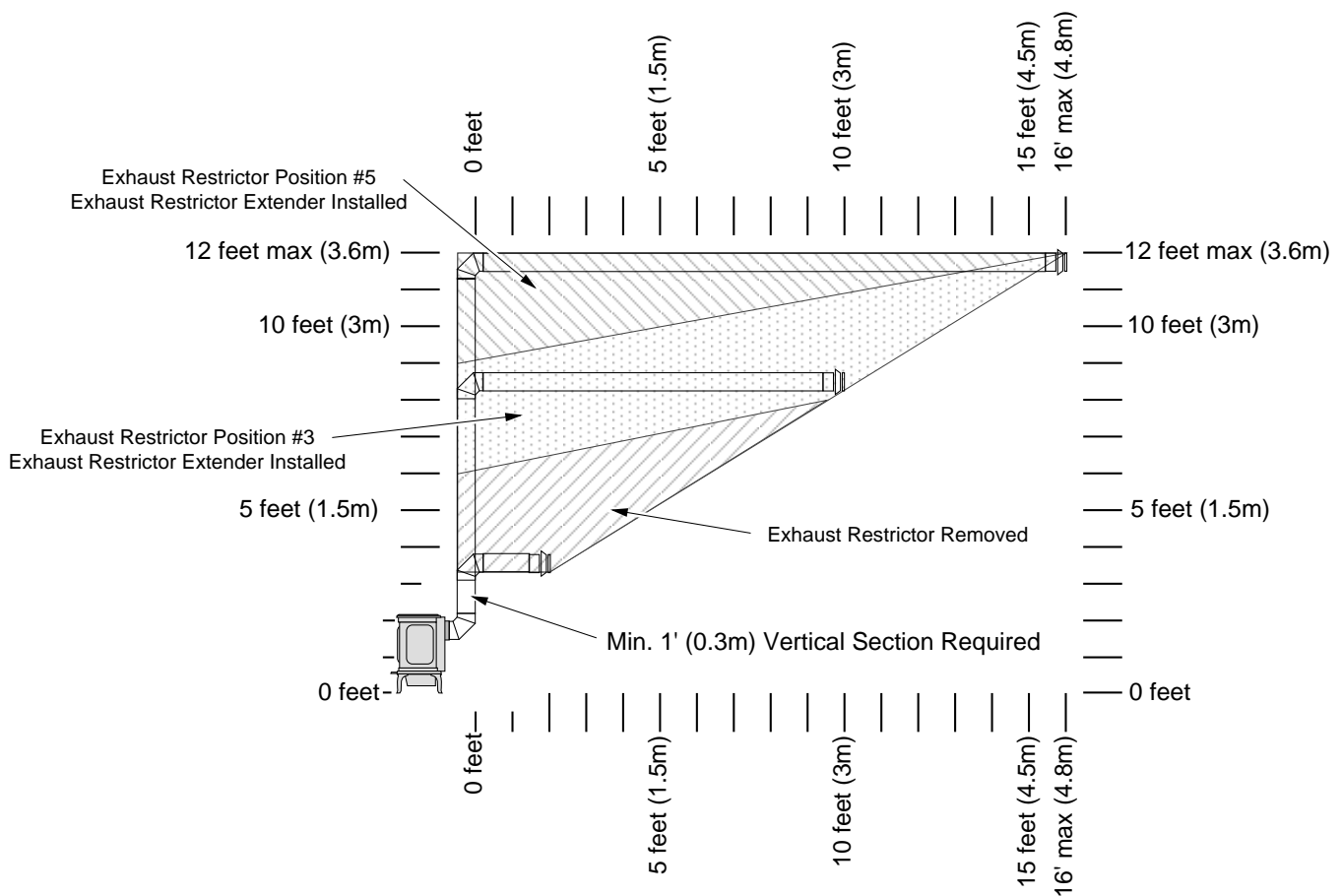
- Use the minimum vent kit "D" from Travis Industries (SKU 96200317). This kit contains the following components used to vent the stove through a typical exterior wall:
  - Travis Thimble (unique to this stove)
  - Wall Cover (Black)
  - Pipe Section (3.9")
  - Pipe Section (6")
  - Snorkel Cap (14" – unique to this stove)
  - Rear Vent Conversion Parts (cover plates, starter sections, etc.)
- **No elbows (45° or 90°) may be used (no corner installations).**
- Maximum Horizontal Run of 2' (additional 8" co-axial vent may be used).
- Horizontal sections require a ¼" (6mm) rise every 12" (305mm) of travel.
- Diffuser must be closed (see page 14).
- Exhaust restrictor must be removed.
- Do not install the exhaust restrictor extender.





## Rear Vent Configuration with Horizontal Termination

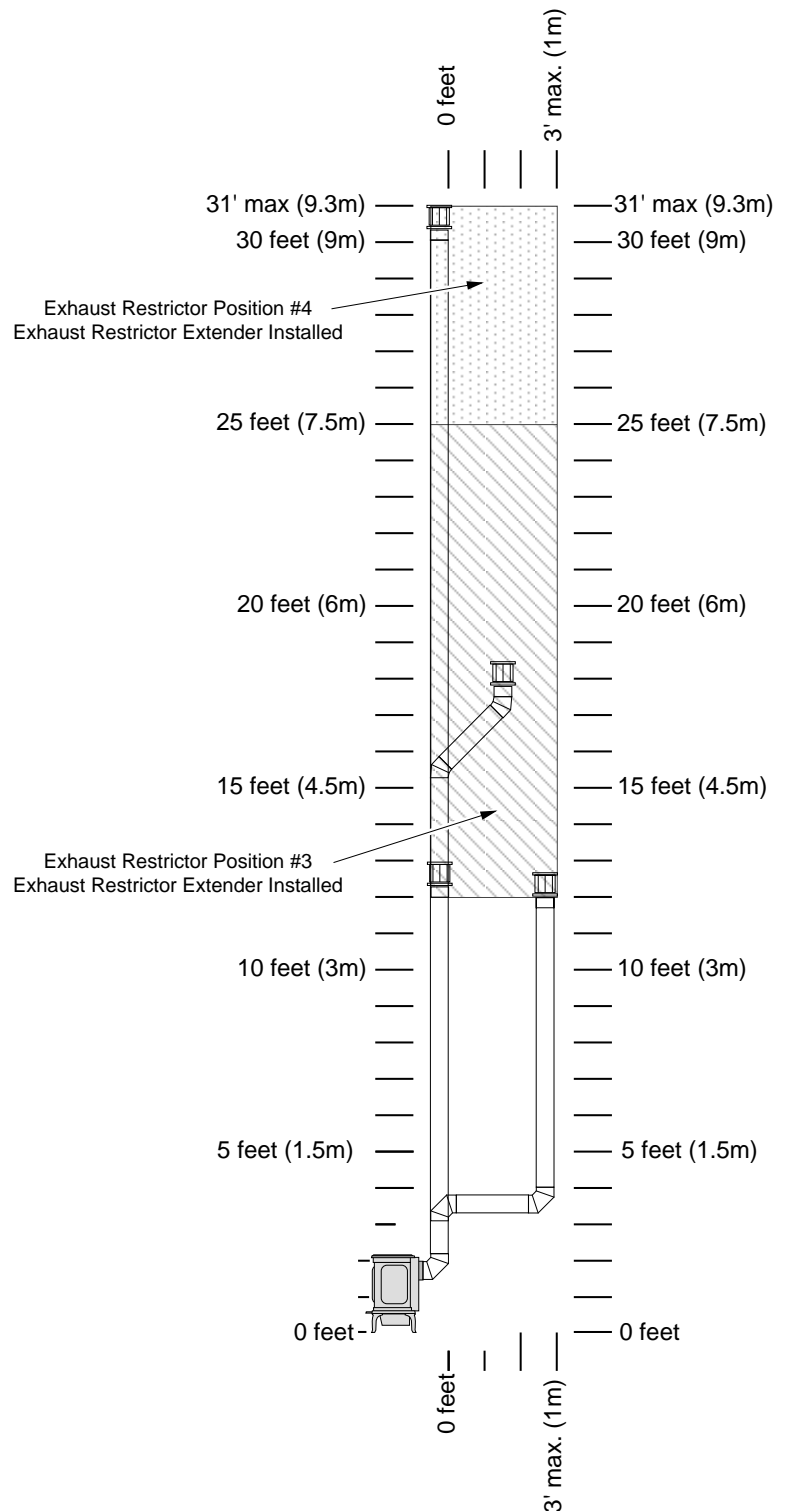
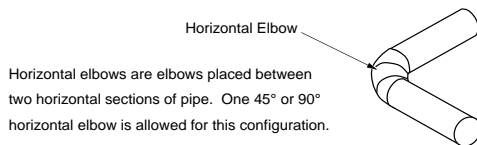
- Use the rear vent conversion from Travis Industries (SKU 94400998).
- Use 8" Diameter Vent
- Horizontal sections require a ¼" (6mm) rise every 12" (305mm) of travel.
- A maximum of three (3) 45° or 90° elbows may be used. Of these elbows, only one (1) may be a horizontal elbow (see illustration).
- The termination must fall within the shaded area shown in the chart. Use the indicated restrictor position. NOTE: Restrictor positions are based upon lab tests. The ideal restrictor position may vary slightly, especially when the termination is near a demarcation line.
- Diffuser must be closed (see page 14).



Horizontal elbows are elbows placed between two horizontal sections of pipe. One 45° or 90° horizontal elbow is allowed for this configuration.

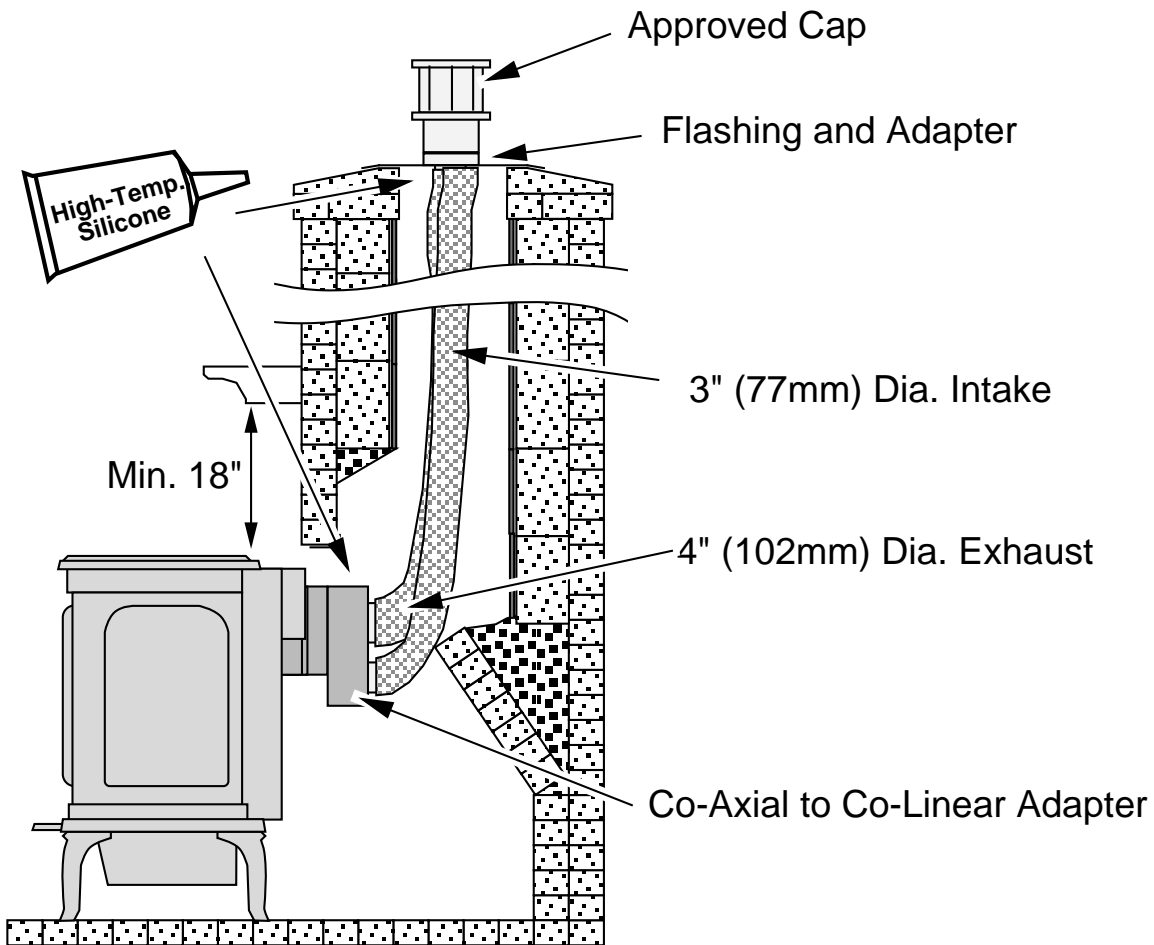
## Rear Vent Configuration with Vertical Termination

- Use the rear vent conversion from Travis Industries (SKU 94400998).
- Use 8" Diameter Vent
- Horizontal sections require a ¼" (6mm) rise every 12" (305mm) of travel.
- A maximum of three (3) 45° or 90° elbows may be used. Of these elbows, only one (1) may be a horizontal elbow (see illustration).
- The termination must fall within the shaded area shown in the chart. Use the indicated restrictor position. NOTE: Restrictor positions are based upon lab tests. The ideal restrictor position may vary slightly, especially when the termination is near a demarcation line.
- Diffuser must be closed (see page 14).



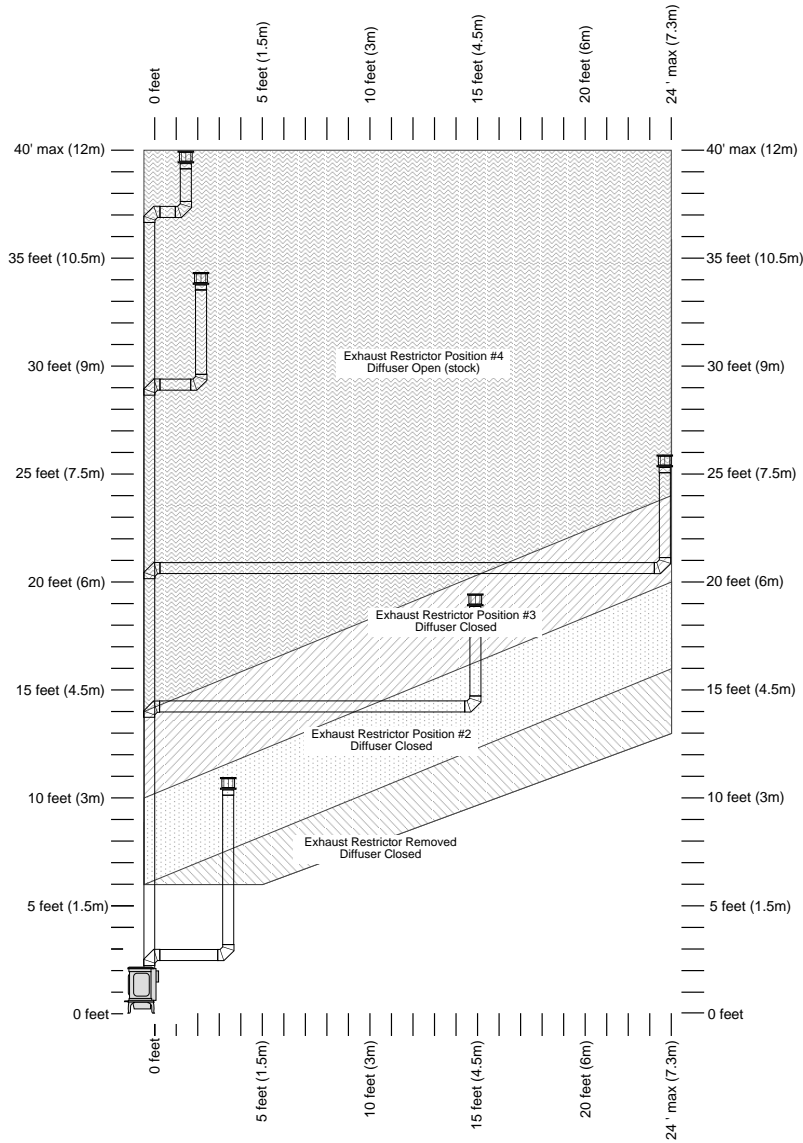
## ***Rear Vent Configuration Vented into Fireplace with Co-Linear Adapter***

- Attach the Co-Linear adapter directly to the back of the stove. Use UL 441 or 1775 gas liners to vent the appliance through a code-conforming masonry or metal (zc) fireplace. All clearances to combustibles must be met and the flex vent must be vented through a non-combustible fireplace chimney.
- Use the following components:
  - Travis Industries Rear Vent Conversion ( Part # 94400998)
  - Travis Co-Axial to Co-Linear Adapter (4" Exhaust, 3" Intake) (Part # 96200328)
  - Gas Insert Vent Kit "G" 3&4 (Part # 96200331)
  - or -
  - 3" and 4" Gas Liner and High Wind Cap (part # 46DVA-CL34) or equivalent
- Vent height must be a minimum 10' and maximum 25'.
- Exhaust Restrictor must be in Position #3 with the Exhaust Restrictor Extender Installed
- Diffuser must be closed (see page 14).



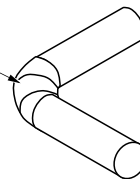
## Top Vent Configuration with Vertical Termination

- Use 6-5/8" Diameter Vent
- Horizontal sections require a 1/4" (6mm) rise every 12" (305mm) of travel.
- A maximum of four (4) 45° or 90° elbows may be used. Of these elbows, only one (1) may be a horizontal elbow (see illustration).
- The termination must fall within the shaded area shown in the chart. Use the indicated restrictor and diffuser position. NOTE: Restrictor positions are based upon lab tests. The ideal restrictor position may vary slightly, especially when the termination is near a demarcation line.



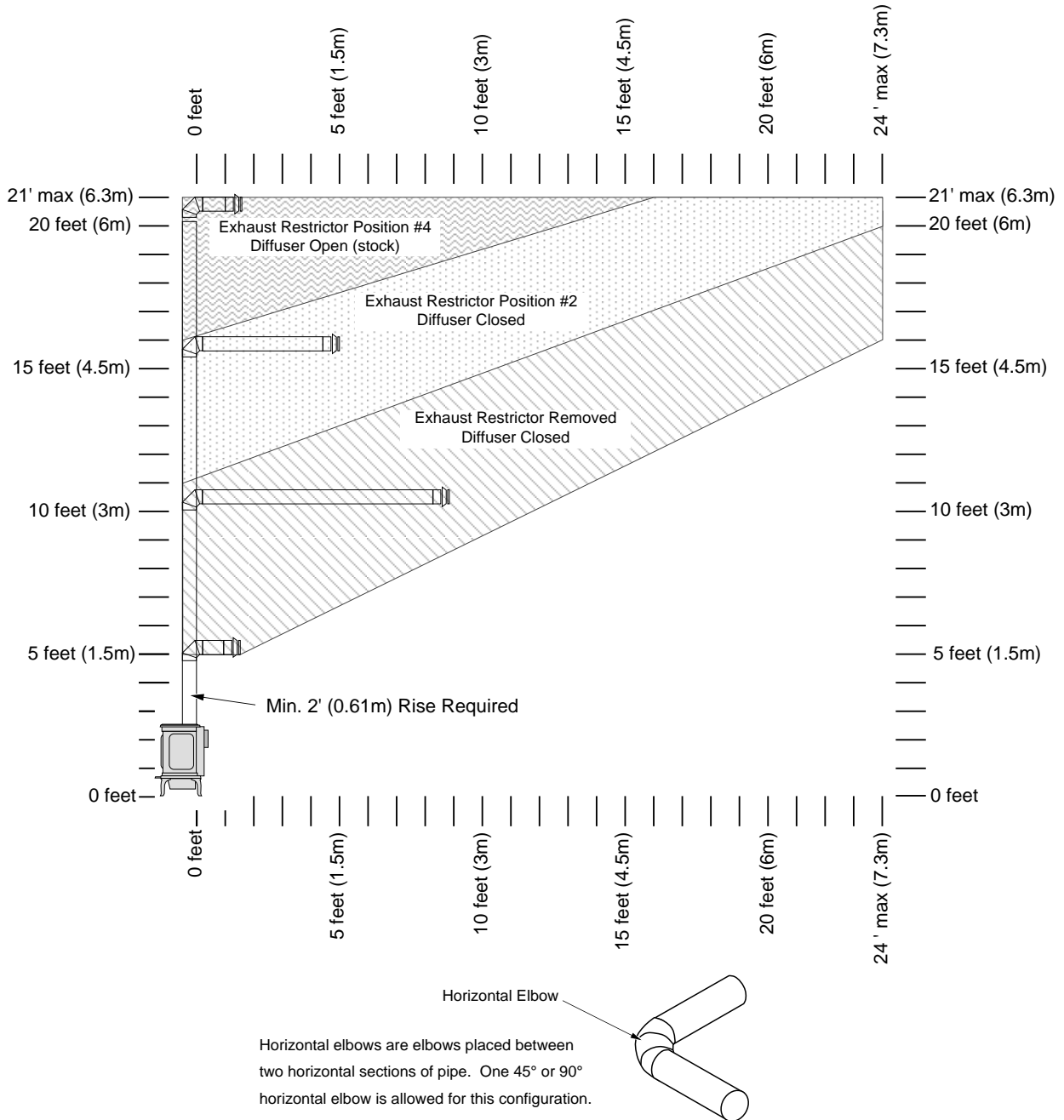
Horizontal Elbow

Horizontal elbows are elbows placed between two horizontal sections of pipe. One 45° or 90° horizontal elbow is allowed for this configuration.



## Top Vent Configuration with Horizontal Termination

- Use 6-5/8" Diameter Vent
- Horizontal sections require a 1/4" (6mm) rise every 12" (305mm) of travel.
- A maximum of four (4) 45° or 90° elbows may be used. Of these elbows, only one (1) may be a horizontal elbow (see illustration).
- The termination must fall within the shaded area shown in the chart. Use the indicated restrictor and diffuser position. NOTE: Restrictor positions are based upon lab tests. The ideal restrictor position may vary slightly, especially when the termination is near a demarcation line.

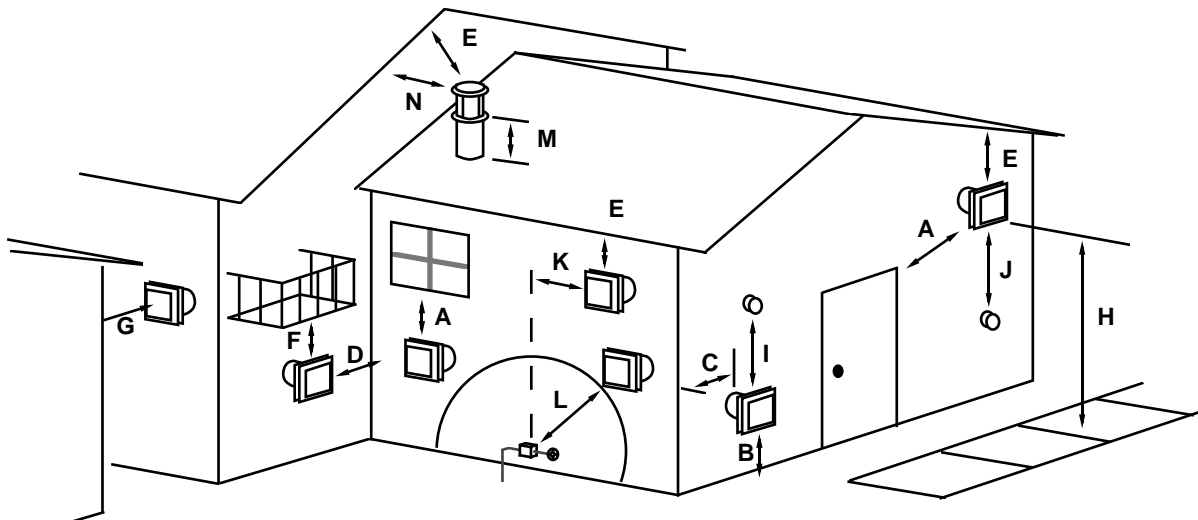
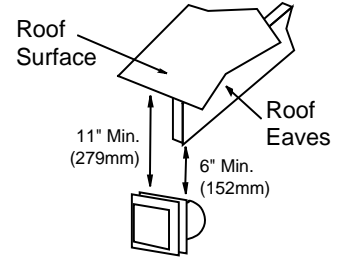


## Vent Termination Requirements (see illustration below)

### Vent Terminations Must Comply with AS/NZS 5601.1

**! Venting terminals shall not be recessed into a wall or siding.**

- A Minimum 9" (229mm) clearance from any door or window
- B Minimum 12" (305mm) above any grade, veranda, porch, deck or balcony
- C Minimum 1" (25mm) from outside corner walls  
**NOTE:** Clearance in accordance with local installation codes and the requirements of the gas supplier.
- D Minimum 12" (305mm) from inside corner walls  
**NOTE:** Clearance in accordance with local installation codes and the requirements of the gas supplier.
- E Minimum 11" (279mm) clearance below unventilated soffits or roof surfaces  
Minimum 18" (457mm) clearance below ventilated soffits  
Minimum 6" (152mm) clearance below roof eaves  
**NOTE:** Vinyl surfaces require 24" (610mm)  
**NOTE:** Clearance in accordance with local installation codes and the requirements of the gas supplier.
- F Minimum 12" (305mm) clearance below a veranda, porch, deck or balcony  
**NOTE:** Permitted only if veranda, porch, deck, or balcony is fully open on a minimum of two sides beneath the floor.  
**NOTE:** Clearance in accordance with local installation codes and the requirements of the gas supplier.
- G Minimum 48" (1219mm) clearance from any adjacent building
- H Minimum 84" (2134mm) clearance above any grade when adjacent to public walkways or driveways  
**NOTE:** may not be used over a walkway or driveway shared by an adjacent building
- I Minimum 9" (229mm) clearance to any non-mechanical air supply inlet to the building or the combustion air inlet to any other appliance.
- J Minimum 36" (914mm) clearance above any mechanical air supply inlet if within 10' (3M) horizontally
- K Minimum 36" (914mm) from the area above the meter/regulator (vent outlet) - this extends 15' (4.5M) above the regulator  
**NOTE:** Clearance in accordance with local installation codes and the requirements of the gas supplier.
- L Minimum 36" (914mm) from the meter/regulator (vent outlet)  
**NOTE:** Clearance in accordance with local installation codes and the requirements of the gas supplier.
- M Minimum 12" (305mm) above the roof line (for vertical terminations)
- N Minimum 24" (610mm) horizontal clearance to any surface (such as an exterior wall) – for vertical terminations



**NOTE: Measure clearances to the nearest edge of the exhaust hood.**

- Use the vinyl siding standoff when installing on an exterior with vinyl siding.
- Vent termination must not be located where it will become plugged by snow or other material

## Class A Chimney Conversion Kit (top vent configuration only)

Simpson DuraVent provides a conversion kit for those wishing to use an existing wood stove chimney to vent this direct vent stove. The illustration below gives an overview of this type of installation. See the instructions included with the kit for details.

- ! Do not exceed the maximum vertical rise (see the section "Approved Vent Configurations" starting on page 13) allowable. Remember to set the restrictor position to the correct position (based upon the vertical rise height - see the chart on page 20).
- ! The conversion kit does not work on interior masonry chimneys.

### **Chimney Conversion Kit A (# 931)**

Metalbestos 6" I.D.  
Security Chimneys 6" I.D.  
Jacks-Evans 6" I.D.  
Hart & Cooley 6" I.D.  
Pro-Jet 6" I.D.

### **Chimney Conversion Kit B (# 932)**

Simpson Dura-Vent 6" I.D.  
Air-Jet 6" I.D.  
Metal-Fab 6" and 7" I.D.  
Amer. Metals 6" & 7" I.D.  
Metalbestos 7" and 8" I.D.  
Jacks-Evans 7" and 8" I.D.  
Hart & Cooley 7" and 8" I.D.  
Pro-Jet 7" and 8" I.D.  
Security Chimneys 8" I.D.

### **Chimney Conversion Kit C (# 933)**

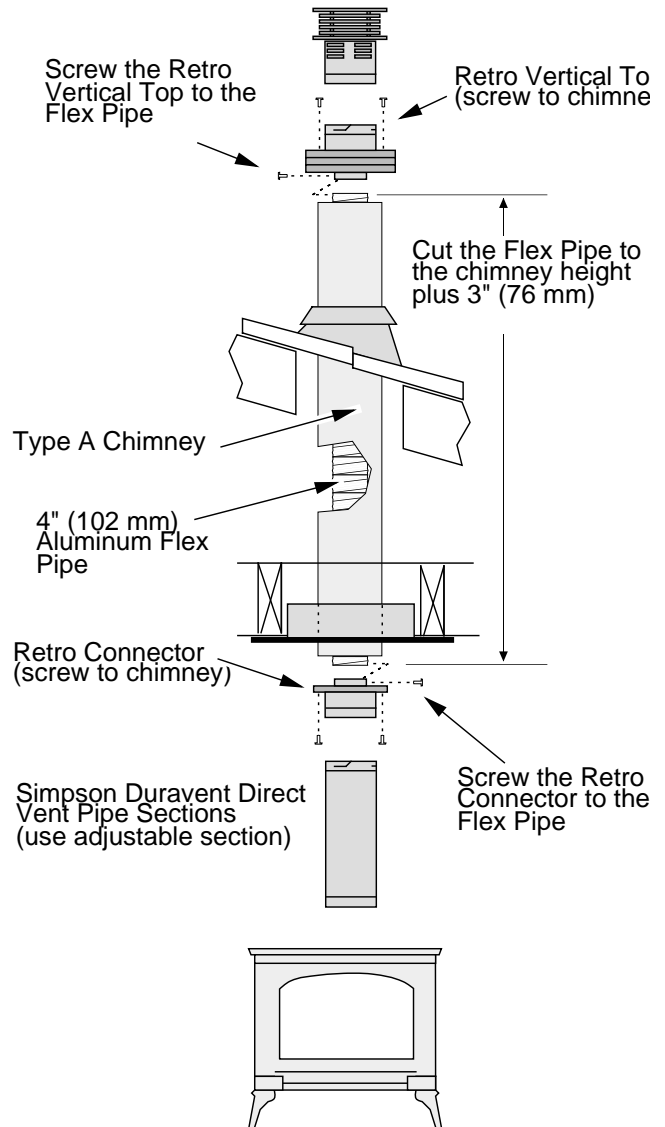
Simpson Dura-Vent 7" and 8" I.D.  
American Metals 8" I.D.  
Air-Jet 8" I.D.  
Metal-Fab 8" I.D.  
American Metals 8" I.D.

### **Each Kit Contains:**

Retro Connector  
Retro Vertical Top

### **Additional Required Equipment:**

4" Flex (#711 or U.L. 1777)  
Termination (#991)  
Co-Axial Sections



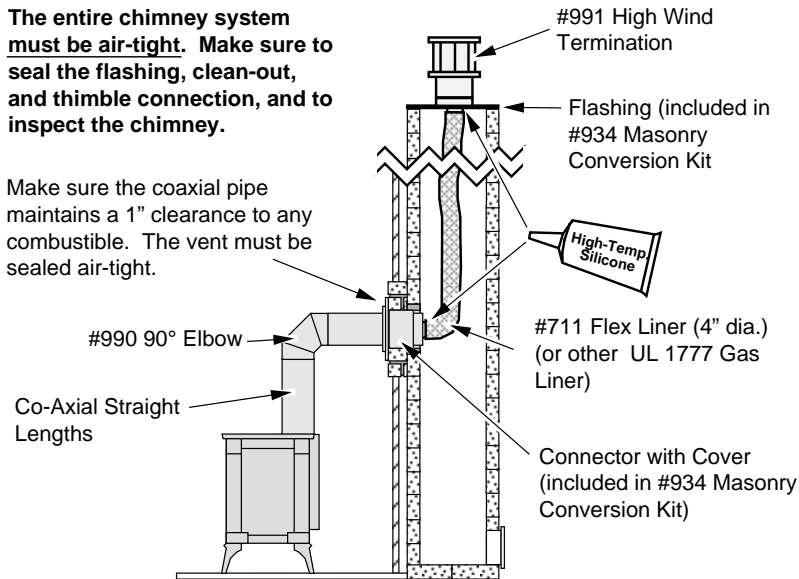
## Interior Masonry Chimney Conversions (top vent configuration only)

- Follow the requirements and use the equipment listed in the illustration below to install this appliance into an interior masonry chimney.
  - Maximum vertical rise is 40' (12192m)
  - Minimum vertical rise is 10' (3048mm)
  - See the chart on page 20 for determining the correct restrictor position.
- NOTE:** these restrictor positions are based upon lab tests. The ideal restrictor position may vary slightly.

### Interior Masonry Chimney

The entire chimney system **must be air-tight**. Make sure to seal the flashing, clean-out, and thimble connection, and to inspect the chimney.

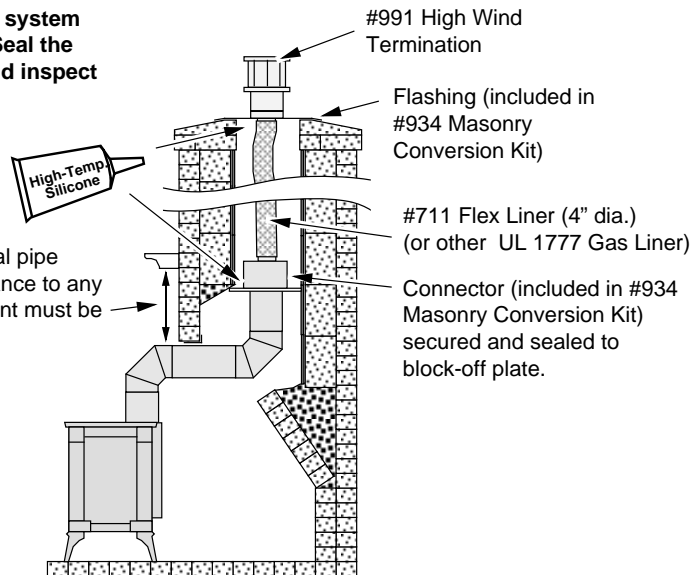
Make sure the coaxial pipe maintains a 1" clearance to any combustible. The vent must be sealed air-tight.



### Standard Masonry Fireplace

The entire chimney system **must be air-tight**. Seal the connector cover and inspect the chimney.

Make sure the coaxial pipe maintains a 1" clearance to any combustible. The vent must be sealed air-tight.





## Steps for Finalizing the Installation

1. Remove the glass (see page 27).

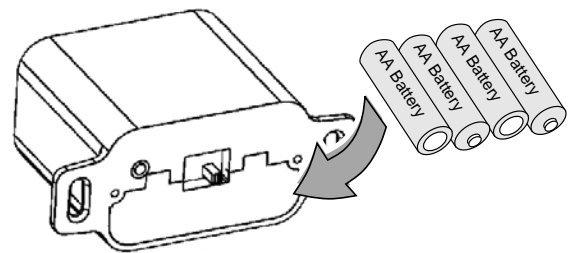
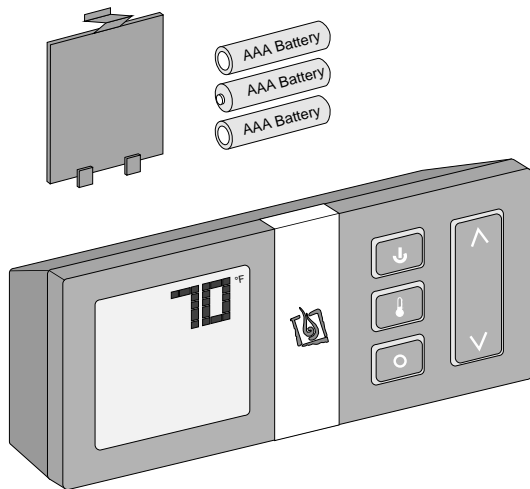
**NOTE:** If using propane (LP) convert the appliance prior to installing the logs.

2. We recommend you purge the gas line at this time (with the glass removed). This allows gas to be detected once it enters the firebox, ensuring gas does not build up.

3. Make sure the accent light works correctly.

**NOTE:** Take care to not touch the bulb with your fingers – use a cloth or paper towel).

4. Install the four AA batteries into the battery holder (see illustration below). The AA batteries act as a power backup in case the household (AC) power goes out and are required for operation. Install three AAA batteries into the remote (see illustration below). Synchronize the transmitter to the IFC.



5. Make sure the accent light is in place and works correctly.

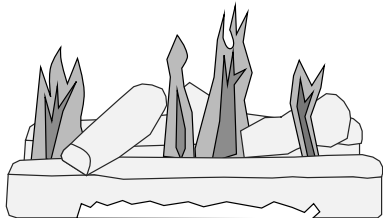
**NOTE:** Take care to not touch the bulb with your fingers – use a cloth or paper towel).

6. Install the logs (see page 29).
7. Replace the glass.
8. Start the heater.
9. Leak test all gas joints.

10. Check the air shutter following the directions below.

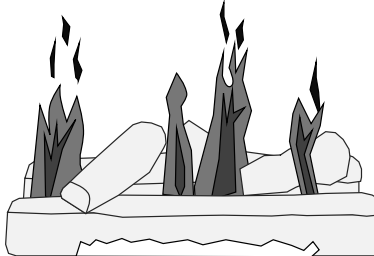
## Air Shutter Adjustment

Let the heater burn for fifteen minutes (make sure the logs and glass are in place). The flames should be yellow with no sooting. Adjust the air shutter, if necessary, to achieve the correct looking flame.



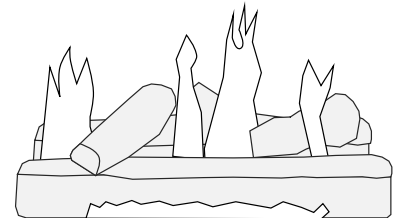
**Correct**

Flames should be blue at the base, yellow-orange on the top.



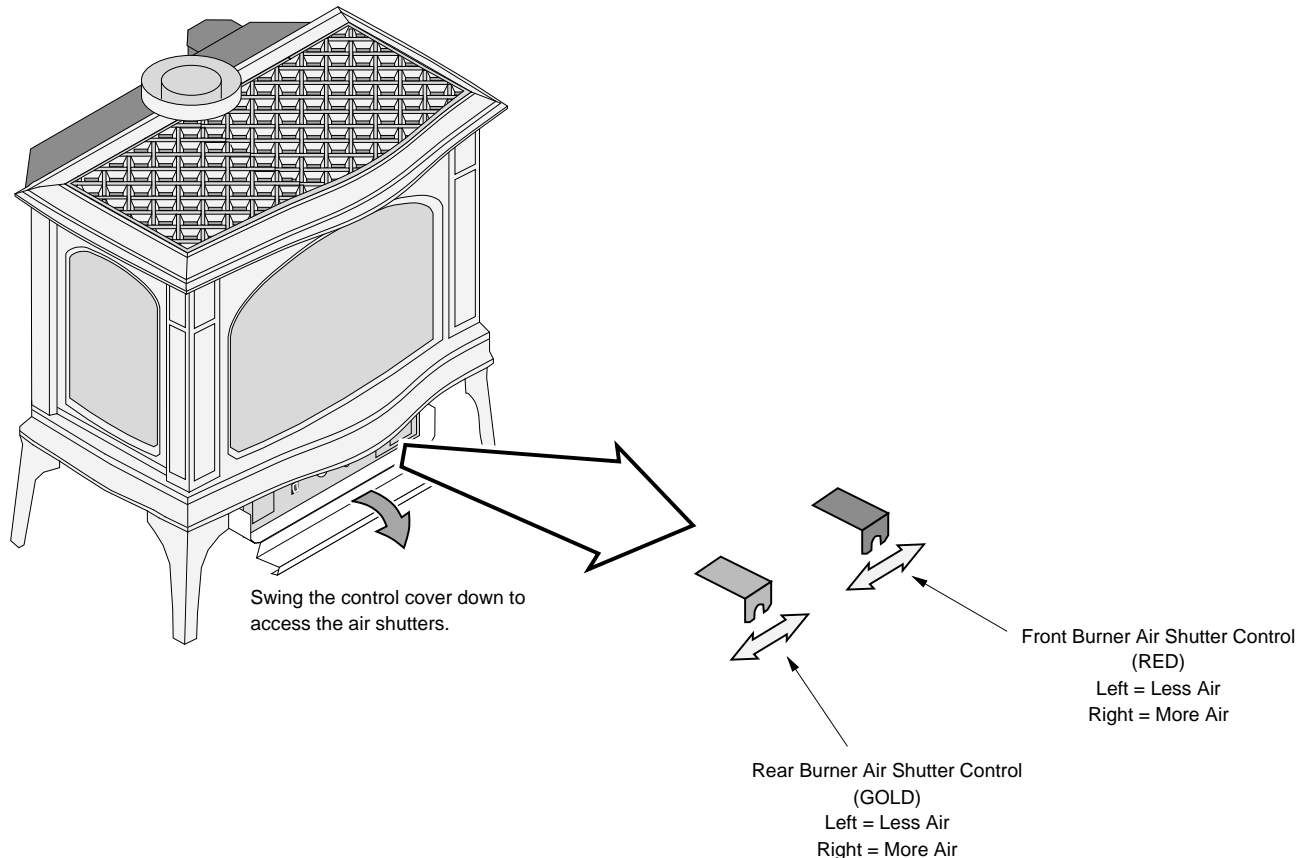
**Not Enough Air**

If the flames are too tall or sooty on the ends, open the air shutter.



**Too Much Air**

If the flames are all blue and short, close the air shutter.



11. Turn the flame adjust knob to its highest position - the flames should not contact the top of the firebox. Check the flame on low position. The flames should burn off of each burner hole. If the heater does not work correctly, contact your Travis dealer for a remedy.

12. Give this manual to the home owner for future reference and fully explain operation of this heater.

## Face and Glass Removal



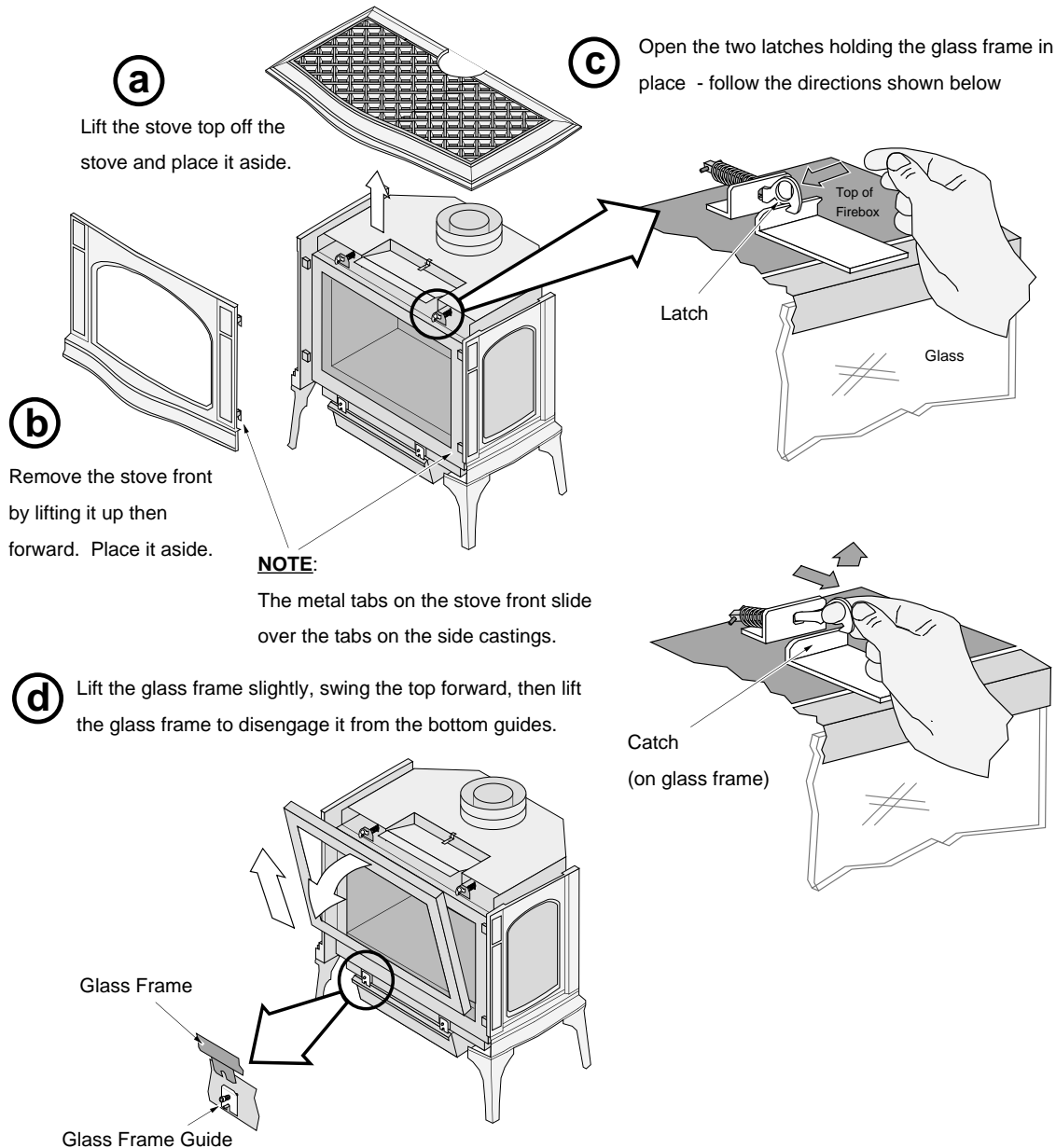
A barrier designed to reduce the risk of burns from the hot viewing glass is provided with this appliance and shall be installed for the protection of children and other at-risk individuals.



If the barrier becomes damaged, the barrier shall be replaced with the manufacturer's barrier for this appliance (Front Barrier - sku# 250-03375, Side Barrier – sku# 250-03376).



The appliance must be completely cool before removing the glass.  
Do not strike or slam the glass.



**(a)** Lift the stove top off the stove and place it aside.

**(b)** Remove the stove front by lifting it up then forward. Place it aside.

**NOTE:**  
The metal tabs on the stove front slide over the tabs on the side castings.

**(d)** Lift the glass frame slightly, swing the top forward, then lift the glass frame to disengage it from the bottom guides.

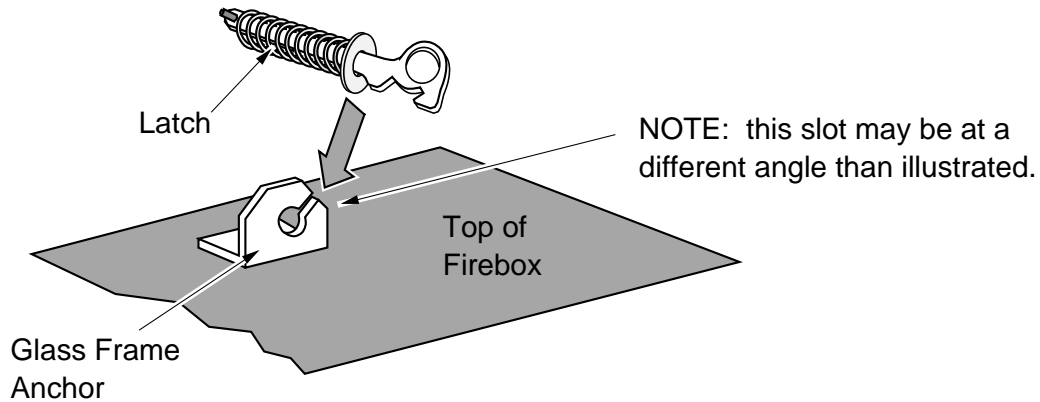
### Re-Attaching the Glass Frame:

- a) Slide the two brackets on the bottom of the glass frame into the glass frame guides (hold the glass frame at a slight angle).
- b) Swing the glass frame into place - you may have to lift it slightly to allow it to fit over the top of the firebox.
- c) Attach the upper latches (follow the instructions above in reverse).
- d) Replace the stove front and top.

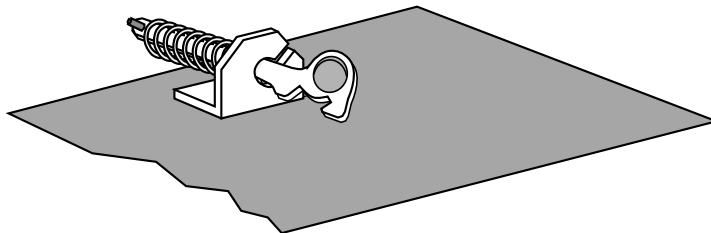
## Glass Frame Removal and Installation (continued)

The latch can come loose from glass frame anchor. This occurs when it is turned 1/4 turn when it is disengaged. Follow the directions below to re-install the latch if it becomes loose.

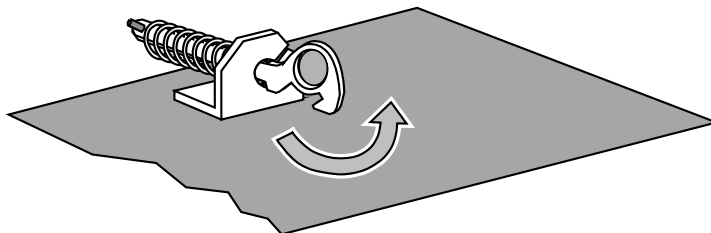
Hold the latch at an angle and insert it into the slot on the glass frame anchor.



Note how the washer on the latch fits behind the flange on the glass frame anchor.



Once fully inserted, turn the latch until it is upright.

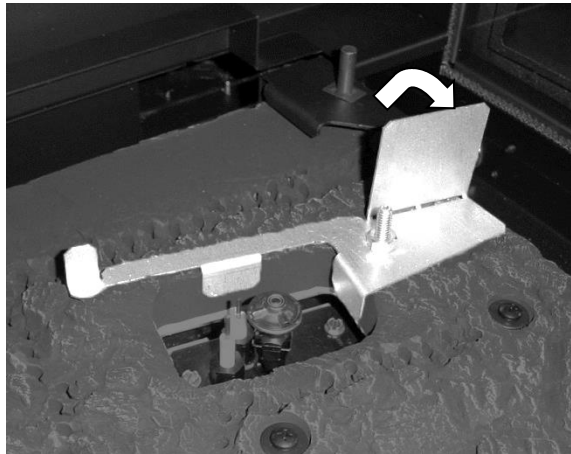


## Log Installation

- ! **The logs are fragile, especially after being exposed to heat.**
- Make sure the gas control valve is "OFF" and the heater is cool prior to conducting service.
- Failure to position the parts in accordance with these diagrams or failure to use only parts specifically approved with this appliance may result in property damage or personal injury.
- If using propane (LP), convert the appliance before installing the logs (see page 53).
- The burner must be correctly positioned before installing the logs. Make sure the burner is fully seated and the pilot is properly aligned. See page 53 for details on burner removal.

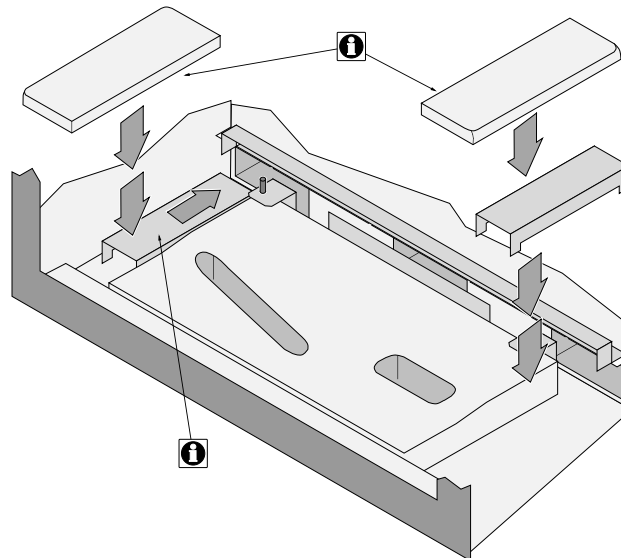
## Preparing the Burner

The pilot shield is bent down during shipping. Before placing the logs, make sure the pilot shield is bent up 90° (see photo below).



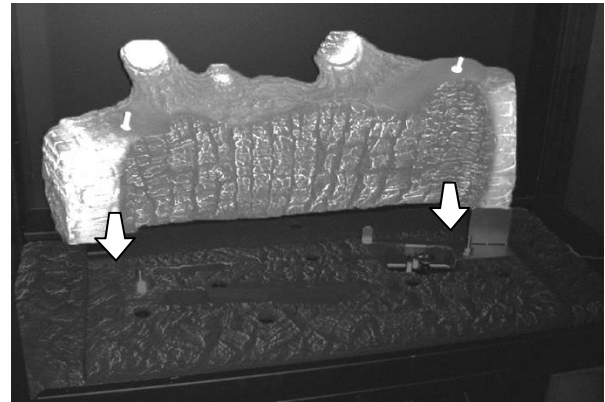
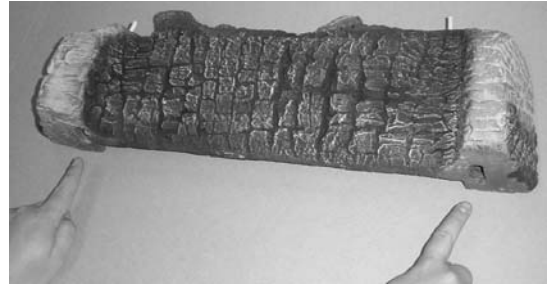
## Ember Trays

The steel ember stands are shipped inside the firebox. **Make sure the ember stands are all the way to the back.** The ceramic ember trays are shipped with the logs. Place them on top of the ember stands with the flat edges facing inwards.



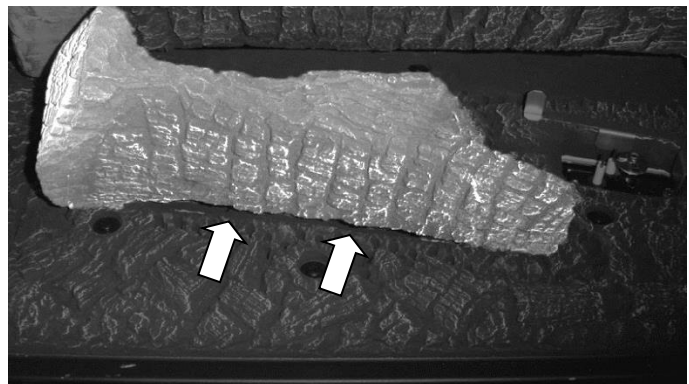
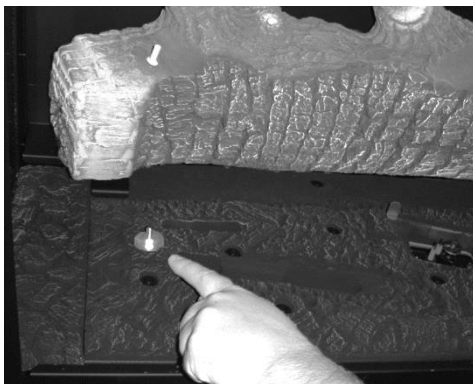
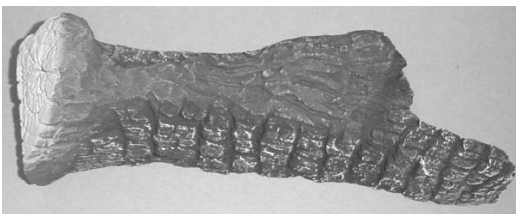
## Rear Log Placement

The rear log has two obround holes on the bottom. Place the log so the pins on the burner insert into the holes on the log (see photos below). Once in place, carefully pull the log all the way forward. This allows the log to glow above the rear burner holes. NOTE: If you encounter sooting on the rear log, move the log back until sooting is eliminated.



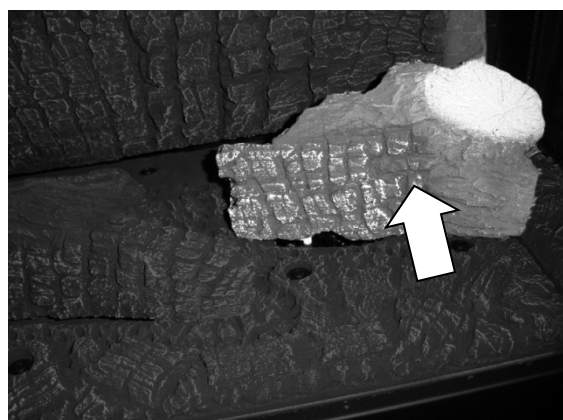
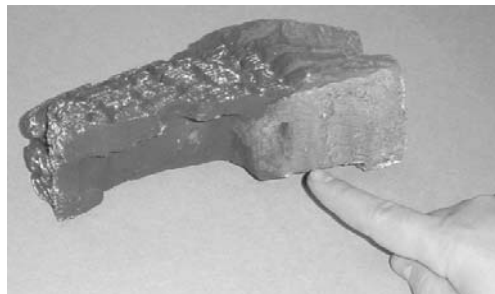
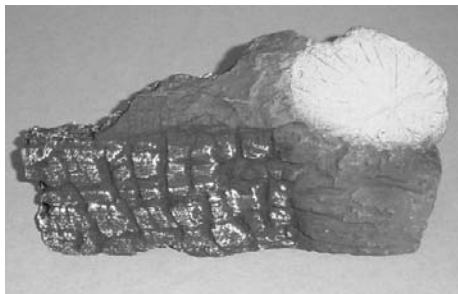
## Left Log Placement

The left log has a hole on the bottom. Place the log so the bolt on the burner inserts into the hole on the log (see photos below). Position the log so the right side straddles the burner holes. The log must not cover any burner holes and should have a gap at the front (see arrows below).



## Right Log Placement

The right log has a hole on the bottom. Place the log so the bolt on the burner inserts into the hole on the log (see photos below). Make sure the log is pushed back so it sits flat against both sides of the bracket attached to the burner. Make sure the pilot has a gap to light the burner ports.



## Left Twig Placement

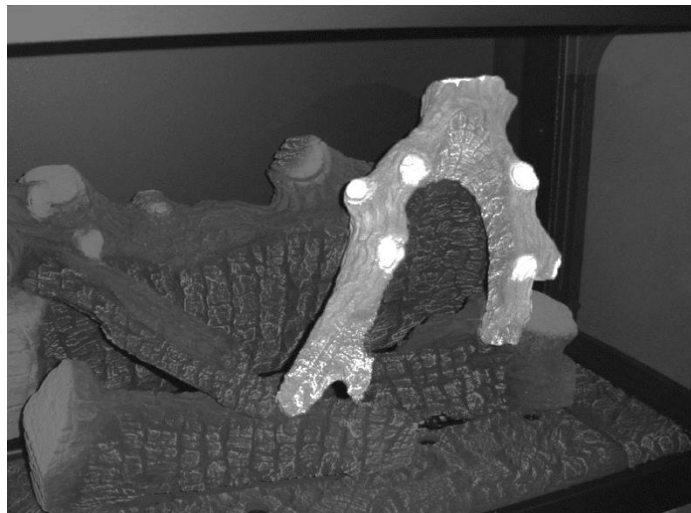
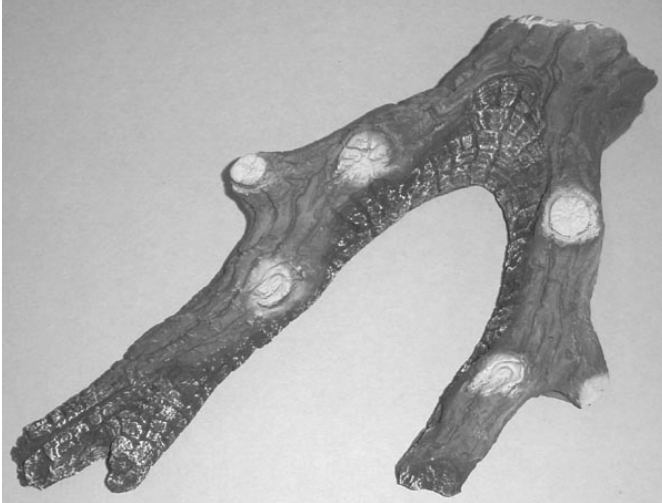
The left twig has a hole in the bottom that fit over a pin on the back log (see photos below). Place the twig as shown below. Note how the front of the twig rests on a flat spot on the left log.



## 32 Finalizing the Installation (for qualified installers only)

### Right Twig Placement

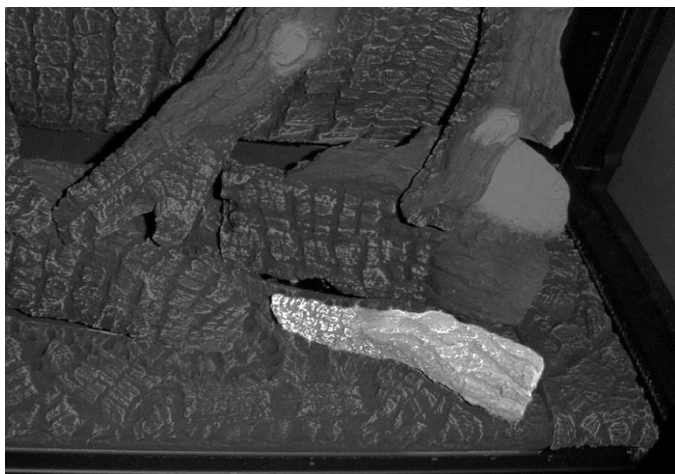
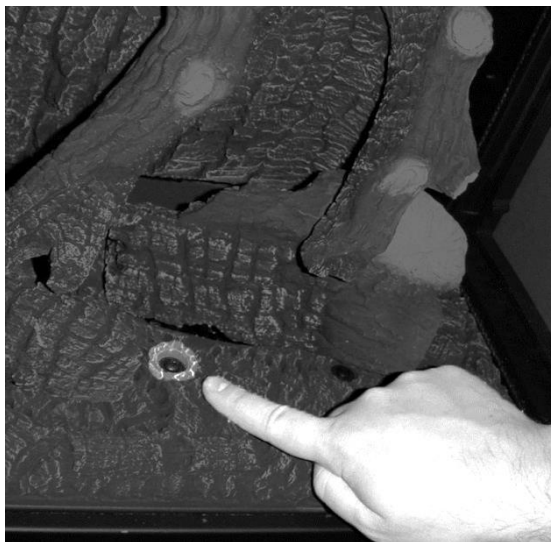
The right twig has one hole in the bottom that fits over a pin on the back log (see photo below). The bottom of the twig rests on both the right and left log. Place the log as shown below. Note how the right twig nearly contacts the left twig.





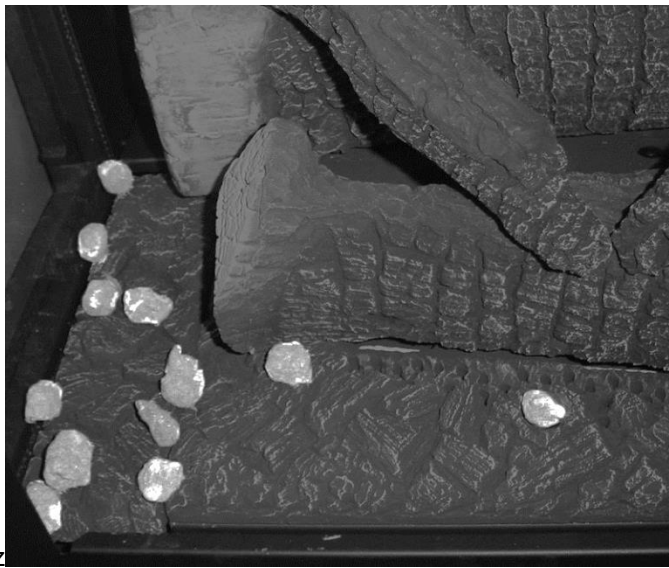
## Front Ember Chunk Placement

Place the ember chunk as shown in the photos below. The left side covers one of the burner screws. Make sure the ember chunk does not cover any burner holes.



## Ember Placement

Embers are included with your appliance to enhance the firebox. Place embers on top of screw-heads and along the perimeter of the burner and firebox to enhance the aesthetics of the firebox. Do not place embers over any burner holes. See the photos below.



## Rockwool Installation

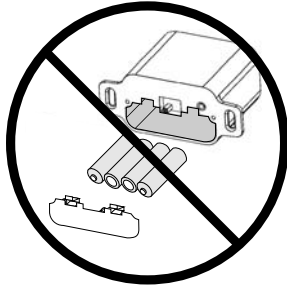
The included rock wool is placed on top of the burner to enhance the glow from the burner. **The rock wool works best when it is applied in a very thin, porous layer.** The best method for applying the rock wool is to brush it on to the burner. Compress a clump of rock wool between your thumb and forefinger. Use a stiff brush to apply a thin layer of rock wool fibers onto the burner. Do not use the entire bag of rock wool. Use only a small amount and save the remainder. Over-use of rock wool will diminish the glow and may cause sooting or other adverse conditions.



## Before You Begin

- Read this entire manual before you use your new heater (especially the section "Safety Precautions" on pages 4 & 5). Failure to follow the instructions may result in property damage, bodily injury, or even death.

### Remote Control Warnings



### **KEEP BATTERIES AND COVER INSTALLED AT ALL TIMES**

The remote control system requires the batteries and battery cover to remain in place at all times. Once the batteries or cover are removed, the system may re-start in standing pilot mode. If this occurs when the heater is in Remote Mode, you will not be able to turn the heater off manually from the battery box. If you need to replace dead batteries, make sure to **turn the appliance off** before removing the batteries.

**NOTE:** If the batteries go dead, the system will operate normally as long as household power (240v AC) is present.



The transmitter and IFC are radio frequency devices. Placing the transmitter in or near metal may severely reduce the signal range.



Turn off the main gas supply to the appliance during appliance installation or maintenance.



During appliance installation or maintenance or in case of remote control malfunction turn off the main gas supply.

### **PROGRAMMING THE REMOTE**

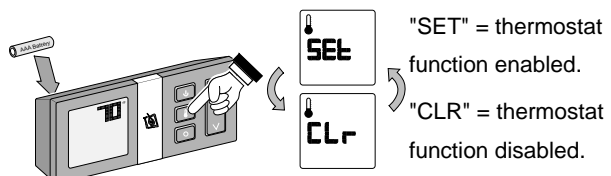
The SIT GSR2 remote may be programmed to disable the thermostat or any of the modes (flame height, blower, light, comfort control, Standing Pilot \*, or auxiliary power input). This allows you to tailor the remote to the appliance.

\* We do not recommend disabling the standing pilot option for our gas appliances. This feature may be recommended for cold regions or installations with sub-optimal venting.

#### **How to Disable/Enable the Thermostat**

The remote is shipped with the thermostat enabled.

- 1 Remove one battery from the remote.
- 2 Press and hold the thermostat button while replacing the battery. This will toggle the thermostat function. Repeat this process to toggle the thermostat function to the desired setting.



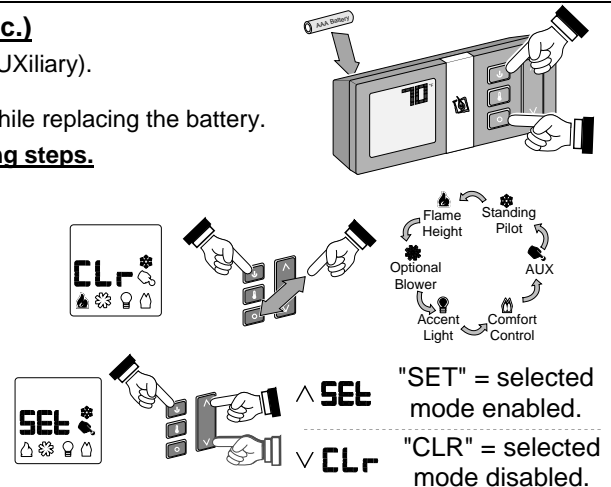
#### **How to Disable/Enable Modes (Light, Blower, etc.)**

The remote is shipped with all modes enabled (except AUXiliary).

- 1 Remove one battery from the remote.
- 2 Press and hold the on/off button and mode button while replacing the battery.

#### **Keep the on/off button depressed during the following steps.**

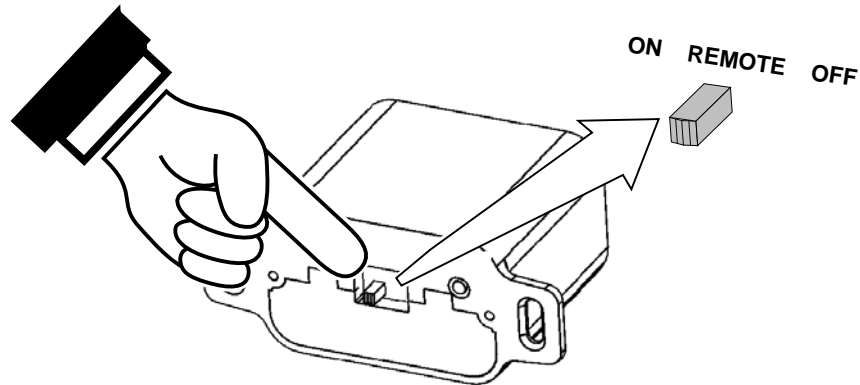
- 3 While keeping the on/off button depressed, press and release the mode button until the mode that needs to be changed is illuminated.
- 4 With the desired mode illuminated (see illustration to the right), press the "up" or "down" button to activate or clear the mode being addressed. Make sure to keep the on/off button depressed during this process.
- 5 Release the on/off button to complete programming.



## Remote Set-Up

### Verify the Switch is on “REMOTE”

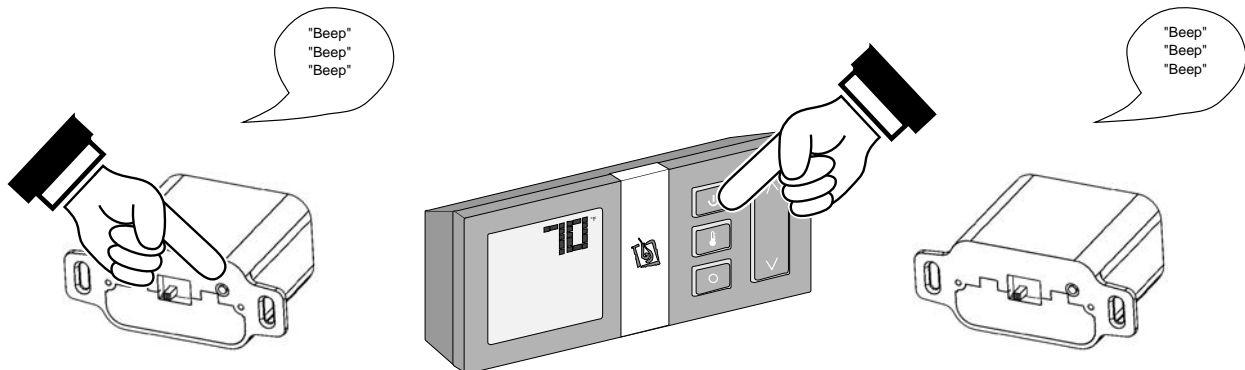
The battery holder has a switch built into it (see illustration below). This switch must remain in the REMOTE position for the remote to operate.



### Synchronize the Transmitter to the IFC

The transmitter will need to be synchronized to the IFC (Integrated Fireplace Control) before the remote will work correctly. Synchronizing is done in the following two steps below (see illustration below):

1. Press the PRG (Program) button on the battery box (IFC will beep 3 times).
2. Press the “ON” button on the transmitter (IFC will beep 3 times).

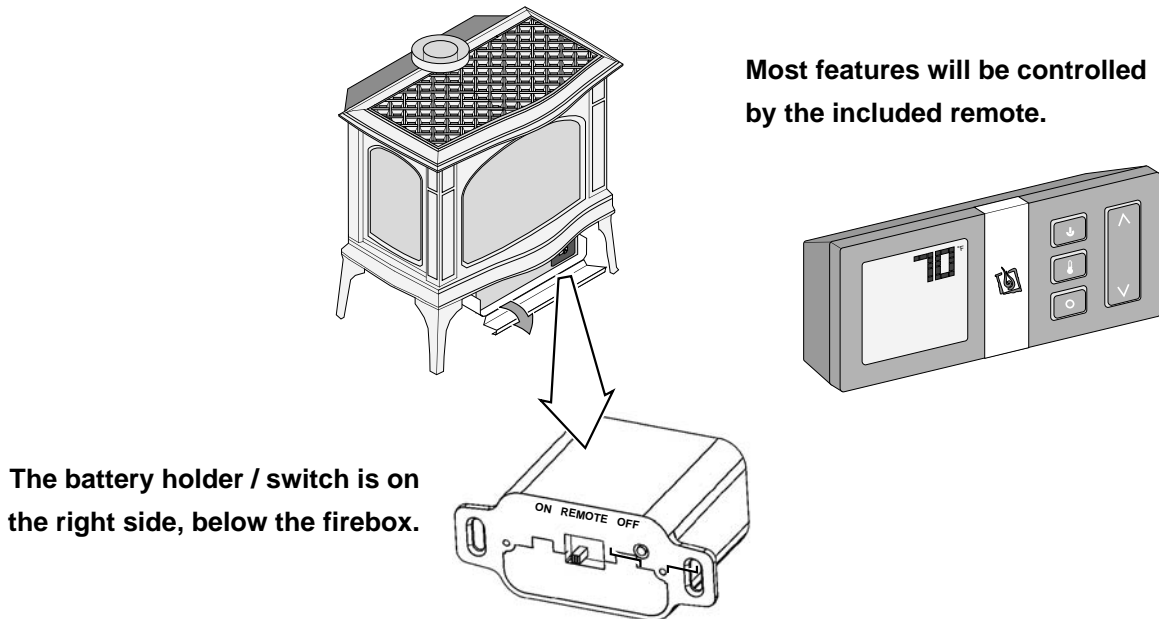


**NOTE:** If power is cut off to the IFC for an extended period of time, you may need to re-synchronize the remote.

### Clearing the System Memory

This appliance uses an Integrated Fireplace Control (IFC) to store the unique code for the remote control. If you wish to clear the system memory, MAKE SURE GAS IS TURNED OFF TO THE APPLIANCE then press the PRG (Program) button for 10 seconds. The pilot will start to spark repeatedly, signifying all system memory has been cleared. The system will return to its original configuration: a remote will need to be synchronized; and, the system will operate under continuous pilot mode.

## Location of Controls



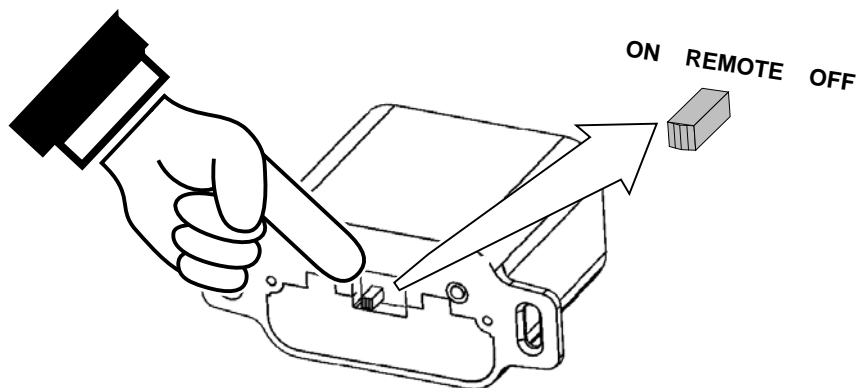
## Direct Operation

The fireplace may be directly operated from the battery holder. The three positions are below (see illustration below):

**ON** – Burner turns on (regardless of transmitter settings).

**OFF** – Burner turns off (regardless of transmitter settings).

**REMOTE** – Burner is controlled by the transmitter.



**NOTE:** When the battery holder switch is turned to ON or OFF, the mode settings (Flame Height, Comfort Control) will remain in the same state as before the switch was moved (i.e.: the IFC “remembers” the last setting). If you wish to adjust the mode settings use the transmitter mode button to adjust the settings (see “Mode Controls” on page 41). The thermostat and burner on/off operating functions will not work on the transmitter.

## Starting the Stove for the First Time

- Burn the heater at a high setting with the blower off for an extended period (up to 48 hours). This will cure the painted surfaces. **Fumes** from the paint curing and oil burning off the steel will occur. This is normal. We recommend opening a window to vent the room.
- **Condensation** may appear on the glass each time you start the stove - this is normal.
- **Blue Flames** will occur on the stove when it first comes on. After fifteen minutes the flames will turn a more realistic yellow and orange color.

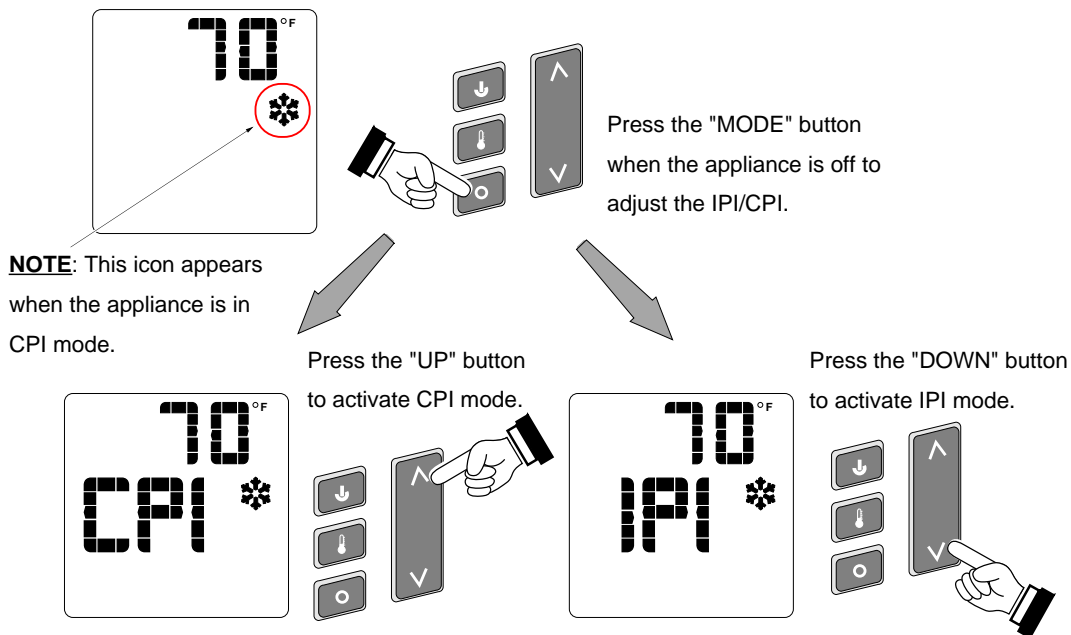
## Intermittent/Continuous Pilot

This heater may run with the pilot continuously running or in intermittent mode. For most homeowners, the intermittent mode is preferred (this saves fuel, doesn't give off un-needed heat). However, in some situations the homeowner may prefer to switch the heater to continuous pilot. The most typical reasons for switching to continuous pilot are:

- Very Cold Conditions – in very cold conditions you may notice that the burner does not light quickly, and the flames lift off the burner. If this is situation, we recommend you switch to continuous pilot. This will create a slight draft in the vent, allowing for the burner to light quickly and draft correctly.
- Excessive Condensation on Glass After Startup – certain installations may encounter excessive fogging on the window after startup (not just the first time the heater was started). This is an aesthetic condition that may be remedied by switching the heater to continuous pilot.
- Cold Glass or Heater Front – in very cold conditions you may notice that the heater front and glass become very cold. To remedy this, switch the heater to continuous pilot.
- Frequent On / Off Operation – if you are frequently turning the heater on and off, you may wish to leave it in continuous pilot. This allows the burner to turn on more quickly, without pilot ignition delay.

## Switching from Intermittent (IPI) to Continuous Pilot (CPI)

The pilot mode on this appliance is adjusted using the remote. With the remote in the off position (thermostat off, manual off), follow the directions below to adjust the pilot mode.

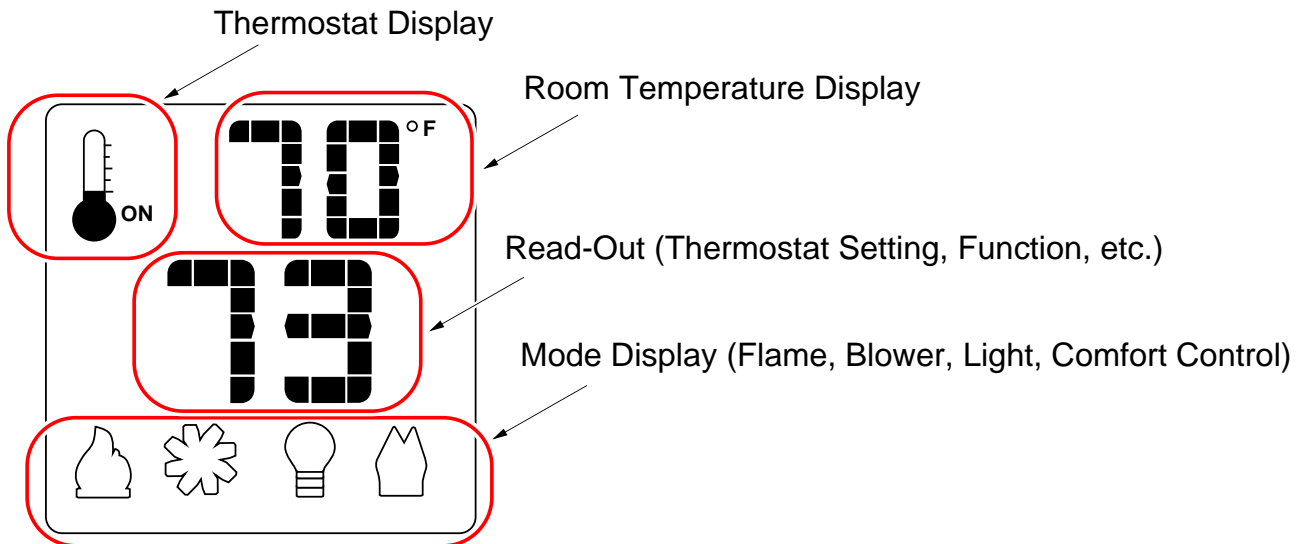


## Remote Operation

When the switch on the battery holder is set to “REMOTE” the transmitter operates the fireplace. Once you understand how the transmitter works, you will be able to operate your fireplace quickly and easily.

### Display Overview

The transmitter display has four main sections (see illustration below).



### Listen for the “Beep”

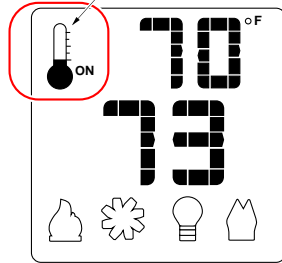
Each time you press a button on the transmitter that controls the fireplace, a “beep” will come from the IFC. When you change thermostat target settings the IFC will not beep.

**NOTE:** When the batteries start to get low, the IFC will beep twice whenever a button is pressed. When the batteries are nearly depleted, the IFC will no longer beep. See “IFC Batteries” on page 43).

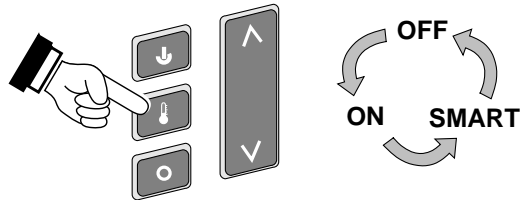
## Manual On-Off / Smart Thermostat / Standard Thermostat

Use the thermostat button to cycle through the three thermostat settings (see illustration below).

Look here for the thermostat setting.

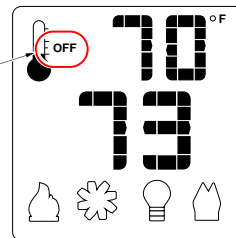


Press the thermostat button to cycle through the thermostat settings.



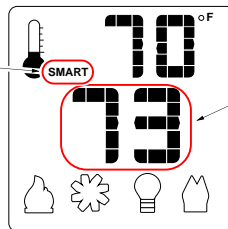
- MANUAL ON/OFF** – The burner will turn on and off using the remote (see illustration below). Press the On/Off button to control the burner. When off, the display will only show the current temperature.

When in manual setting, the word "OFF" will appear here.

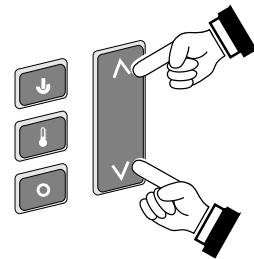


- SMART THERMOSTAT** – While in smart thermostat, the transmitter will control the burner to achieve the target temperature (see illustration below). Flame height will be adjusted up or down to allow operation without turning the burner on and off (also called "smart modulation"). To adjust the target temperature, press the UP and DOWN buttons until a suitable temperature is achieved.

When in smart thermostat setting, the word "SMART" will appear here.

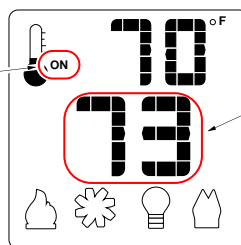


This is the target temperature on the read-out. Use the up or down buttons to adjust the target temperature.

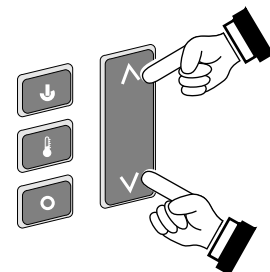


- STANDARD THERMOSTAT** - While in standard thermostat setting, the transmitter will turn the burner on and off to achieve the target temperature (see illustration below). To adjust the target temperature, press the up and down buttons until a suitable temperature is achieved.

When in standard thermostat setting, the word "ON" will appear here.



This is the target temperature on the read-out. Use the up or down buttons to adjust the target temperature.



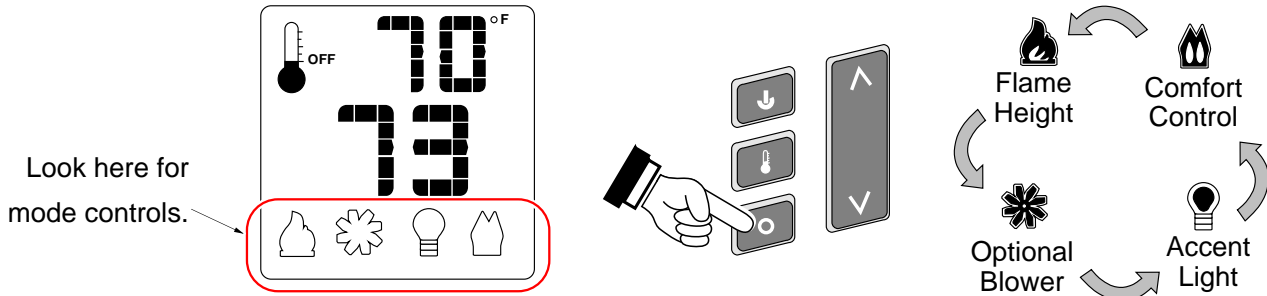
**NOTE:** If the transmitter batteries go dead while in thermostat setting (standard or smart), the appliance will shut off after approximately 24 hours.



## Mode Controls (Flame, Blower, Light, Comfort Control)

Use the mode button to cycle through the four mode controls (see illustration below).

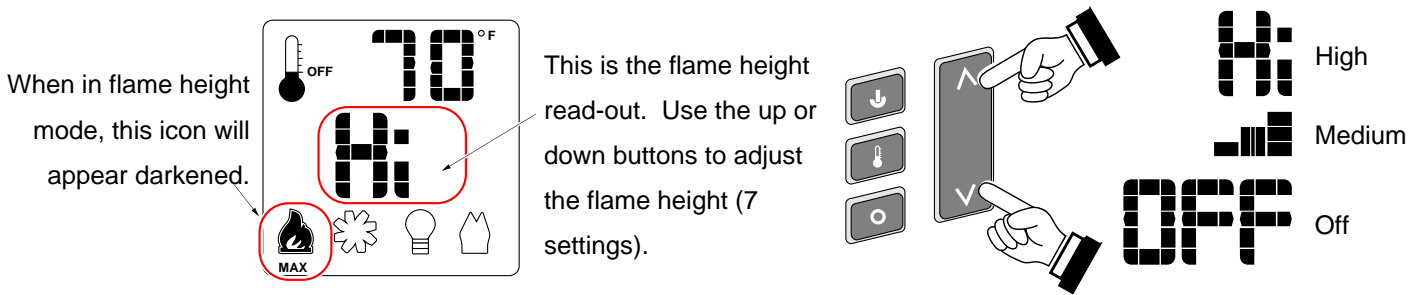
Press the mode button to cycle through the mode settings.



### Flame Height

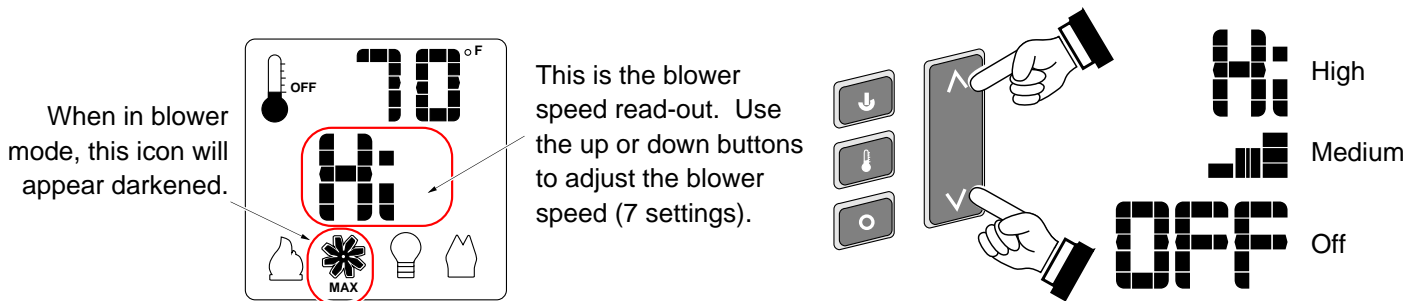
Flame height may be controlled using the UP and DOWN buttons when in Flame Height Mode (see illustration below). The center display will display the 7 settings, from "OFF" to "HI" for full on.

**NOTE:** Flame height may not be adjusted if operating in Smart Thermostat setting.



### Blower Speed

The blower may be controlled using the up and down buttons when in Blower Speed Mode (see illustration below). The center display will display the 7 settings, from "OFF" to "HI" for full on.



### MANUAL MODE – BLOWER OPERATION



When in Manual Mode the blower will remain on, even if the burner is turned off and the heater cools.

Either manually turn the blower off, or turn off the heater by pressing the On/Off button.

## Mode Controls - continued

### Accent Light

The Accent Light (night light) inside the heater may be turned on and off using the up and down buttons when in Accent Light Mode (see illustration below). The center display will display the 7 settings, from "OFF" to "HI" for full on.

When in accent light mode, this icon will appear darkened.

This is the accent light read-out. Use the up or down buttons to adjust the accent light brightness (7 settings).

**HINT:** If you wish to leave the accent light on while turning the burner off, adjust the Flame Height to "OFF" (see above).

### Comfort Control (rear burner)

The comfort control (rear burner) may be turned on and off using the up and down buttons when in Comfort Control Mode (see illustration below). The center display will display either "ON" or "OFF".

When in comfort control mode, this icon will appear darkened.

This is the comfort control read-out. Use the up button to turn on, down button to turn off (2 settings).

## Display Fahrenheit or Celsius

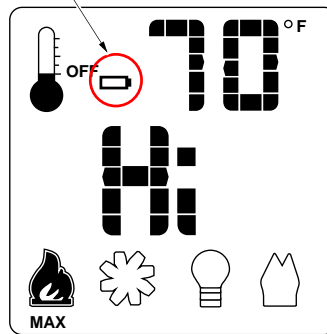
- With the system in the "OFF" position, press both the MODE and THERMOSTAT buttons simultaneously to toggle between Fahrenheit (F) and Celsius (C).

## Low Battery Indicator

### Transmitter Batteries

The transmitter has a battery-level indicator. When it indicates low battery voltage (see illustration below), install three new AAA alkaline batteries into the transmitter (see “Transmitter Battery Installation” on page 43).

Low Battery Indicator



### IFC Batteries

The IFC (Integrated Fireplace Control) will “beep” twice when a transmitter button is pressed when the batteries are low. Install four new AA alkaline batteries into the battery box when this occurs (see “Battery Installation” on page 43). In applications where the appliance is required to provide heat, we recommend replacing the batteries before each heating season.

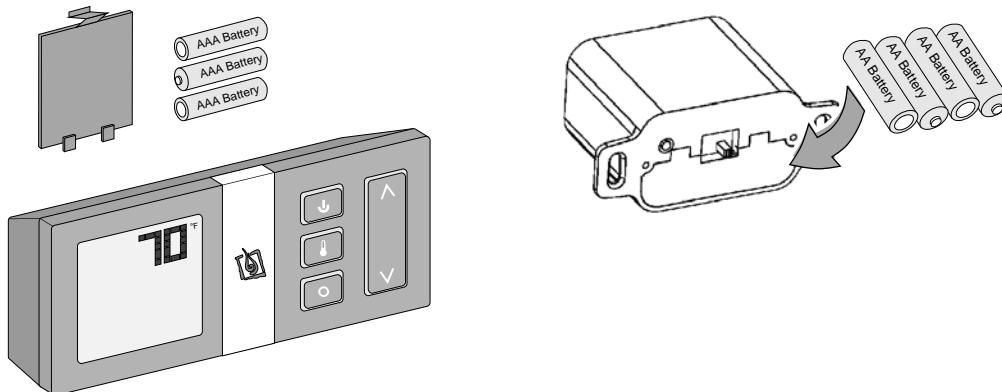
## Battery Replacement

### Battery Installation

Install four AA batteries into the battery holder (see illustration below). These batteries act as a power backup in case the household (AC) current goes out.

### Transmitter Battery Installation

Install the three included AAA batteries into the remote.



## Power Outages

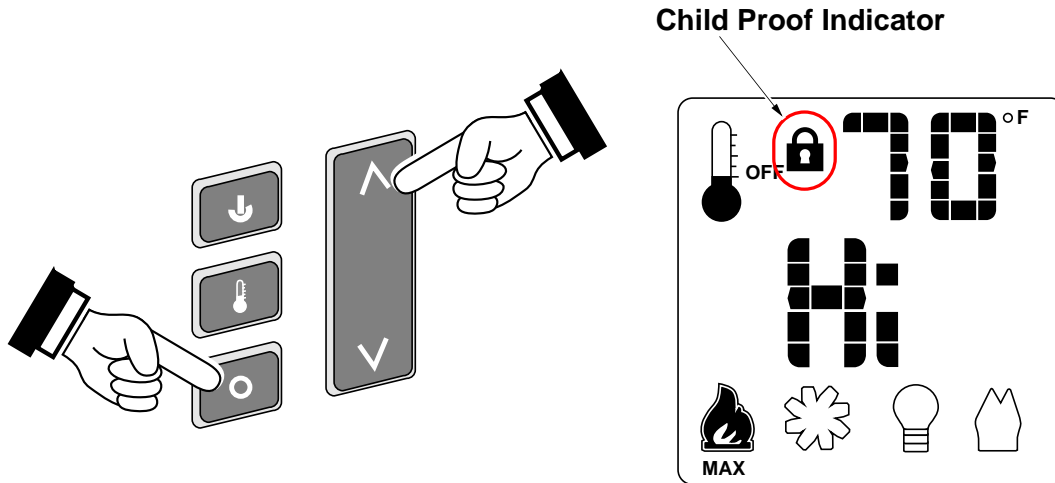
The remote will work if household current (AC power) is disconnected. The batteries inside the battery box will continue to power the heater but the accent light and blower will not operate.

### Child-Proof Feature

The child proof feature disables the control buttons, preventing un-wanted use of the remote.

- Press both the MODE and UP buttons simultaneously to turn this feature on and off (see illustration below).

**HINT:** This feature is especially useful while using the thermostat setting.



### Normal Operating Sounds

#### Extinction Pops

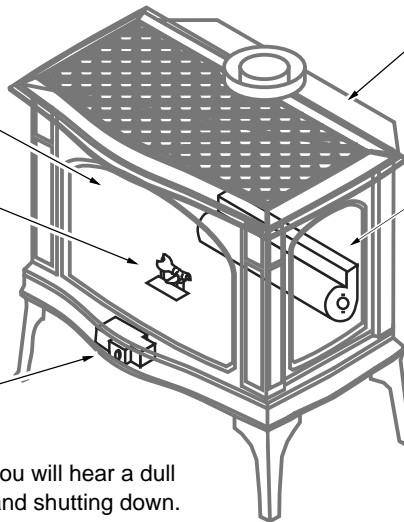
It is not unusual, especially on Propane (LP) appliances, to experience a "pop" when the burner is shut off.

#### Pilot Flame

The pilot flame will make a clicking sound when starting up. When on, it will make a slight whisper sound.

#### Gas Control Valve

As the gas control valve is turned on and off you will hear a dull clicking sound. This is the valve opening up and shutting down.



The appliance may creak with change of temperature -- THIS IS NORMAL.

#### Blowers

This heater has optional blowers to push heated air into the room. You will hear the sound of air movement increase as the speed of the blower is increased.

### Normal Operating Odors

This appliance has several areas that reach high temperatures. Dust or other particles on these areas may burn and create an odor. This is normal during start-up. You may notice the smell is more acute if the appliance was left idle for a long period.

**DANGER HIGH VOLTAGE:** Disconnect power before attempting maintenance or repair.

## *Maintaining Your Stove's Appearance*

---

### **Painted Surfaces**

- Painted surfaces should be cleaned with a duster. If scratches occur, lightly sand the area with fine sandpaper. Clean the area and, with the stove cool, apply one or two thin coats of stove paint to the area (mask the area to avoid overspray). Allow the stove to dry, then turn the stove on to cure the paint (1 hour on medium).

### **Enamel Surfaces**

- Use only soft cloth and water to clean enamel surfaces. To fix chips in the enamel, follow the directions below:
  - 1) Let the stove cool. Clean the area thoroughly.
  - 2) Shake the Travis Enamel Touch-Up thoroughly. Apply to the damaged area.

### **Patina Surfaces**

- The patina finish is a "living" color and will age and antique over time. Some portions of the finish may become slightly dull in appearance, especially over the top where it becomes hot. This is normal. The only cleaning we recommend is a light dusting when the appliance is cool. **DO NOT USE ANY LIQUID, CLEANER, OR ABRASIVES ON THIS FINISH.**

### **Front Glass**

- Clean the glass with soap and water (do not use abrasive cleaners). Glass removal instructions are on page 27.

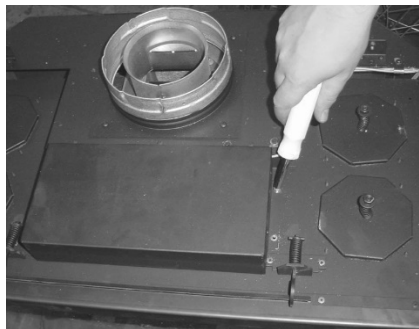
### **Side Glass**

The interior of the side glass is cleaned by removing the front glass (page 27) and cleaning the glass from the inside (use soap and water – do not use abrasive cleaners). The exterior of the side glass may be cleaned with compressed air.

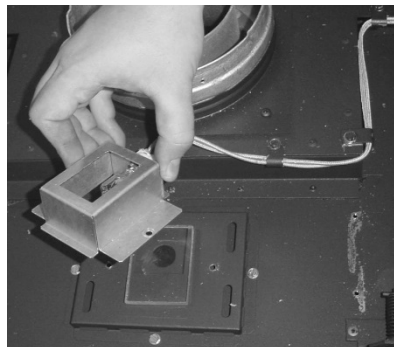
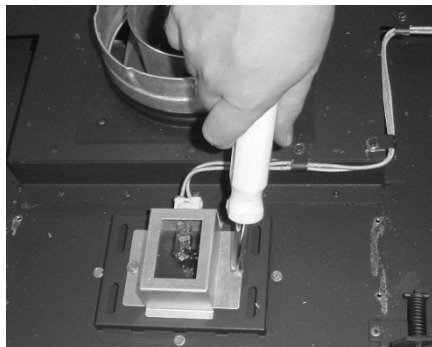
## Accent Light Replacement

An accent light is included in your stove to provide additional lighting. To replace the bulb, follow the directions below:

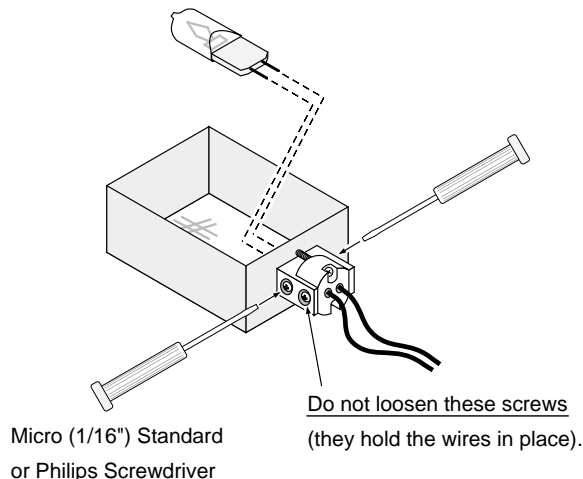
- Disconnect stove from power. Shut off gas to the stove. Make sure the stove is cool before proceeding (15 minutes).
- Remove the stove top and place it aside (see page 27).
- Remove the four screws securing the accent light cover. Place the cover aside.



- Remove the two screws securing the accent light assembly. Place the assembly upside down on the firebox top, making sure the wiring is not damaged or dislodged. When replacing, make sure the glass is aligned below the assembly.



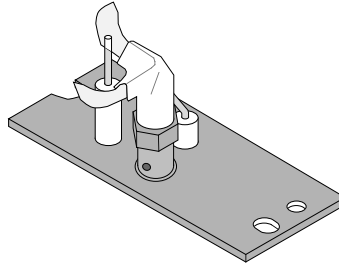
- Loosen the two set screws nearest the bulb to disengage the bulb from the holder. Remove the bulb from the holder. Replace the bulb, making sure not to touch the bulb with your fingers (grasp the bulb with the bulb packaging or a paper towel). Tighten the screws until the bulb is secure (do not over-tighten, this may damage the electrical contacts on the bulb). When the bulb is inserted into the socket the two posts will be exposed approximately 1/4" (6mm) – this is normal.



## Yearly Service Procedure

---

- Failure to inspect and maintain the stove may lead to improper combustion and a potentially dangerous situation. We recommend the following procedures be done by a qualified technician.
1. Turn the pilot flame to continuous. It should touch approximately 3/8" of the top of the flame sensor. If it does not, contact your dealer for service.



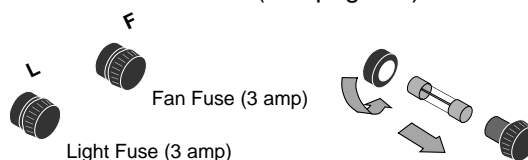
2. Shut off gas to the stove and let it cool for 15 minutes. Remove the glass (see page 27).
3. Remove the log set (**NOTE: The logs are very fragile** - see page 29). If severely deteriorated, replace. Check the logs for sooting. A small amount of soot along the bottom of the logs is normal. If excessive sooting is found, the stove will require adjustment. Contact your dealer.
4. Inspect the burner and remove any debris.
  - Make sure the burner is not warped, cracked, or damaged.
  - Check the firebox and area around the pilot to make sure there is no warping or damage.
  - If any problem is found, discontinue use and contact your dealer for service.
5. Install the log set. Clean and replace the glass. If the glass is damaged, replace. Make sure the gasket along the perimeter of the glass contacts the face of the firebox and forms an air-tight seal. If it does not, re-align or replace the gasket to insure an air-tight seal.
6. Inspect the area behind the access door. Clean if necessary. Check the gas control valve and the gas lines. If damage is found, discontinue use and contact your dealer for service. Clean the air channels, ducts, and blower (if applicable).
7. Start the main burner. After 15 minutes the flames should be orange/yellow and not touch the top of the firebox. If the pilot or main burners do not burn correctly, contact your dealer for service. Monitor blower operation.
8. Remove any debris or vegetation near the vent termination. Contact your dealer if any sooting or deterioration is found near the vent termination.

## Troubleshooting Table

Problem:	Possible Cause:	Don't Call for Service Until You:
<b>Burner Will Not Start</b>	The battery box switch is turned to "OFF" ..... The remote control is not working correctly..... The thermostat is not synced or set too low..... No propane in tank.....	Turn the battery box switch to "ON". See the remote control instructions. See "Thermostat Operation". Check Tank Level.
<b>Appliance Beeps</b>	<u>Heater beeps once:</u> The heater beeps once whenever a button on the remote is pressed..... <u>Heater beeps twice:</u> The heater beeps twice whenever a button on the remote is pressed.....	THIS IS NORMAL  The power backup batteries are low. Replace the 4 AA batteries in the battery box (see page 43).
<b>Thermostat Does Not Work</b>	The battery box switch is turned to "OFF" or "ON". The thermostat is set too low.....	Turn the battery box switch to "REMOTE". Check thermostat.
<b>Blower Does Not Work</b>	The stove is not getting electricity..... The blower fuse may be blown.....	Check the breaker switch. Replace the fuse. See fuse location below.
<b>Stove Will Not Distribute Heat</b>	The stove is not getting electricity..... The stove is not up to temperature.....	Check the breaker switch. Let the stove burn for at least 15 minutes.
<b>Flames Are Too Blue</b>	The stove has just been started..... Improper air shutter adjustment.....	This is normal - see "Starting the Stove for the First Time". Adjust Air Shutter - contact your dealer.
<b>Flames Are Too Short (Under 6")</b>	The flame height may be turned too low.....	Turn the flame height to "HI" - See "Adjusting the Flame Height".
<b>Thin Layer of Soot Covers the Glass</b>	Log set is placed incorrectly..... Improper air shutter adjustment.....	See page 29. Adjust air shutter - contact your dealer.
<b>Accent Lights Do Not Work</b>	The stove is not getting electricity The bulb may be burned out..... The accent light fuse may be blown. ....	Check the breaker switch. See "Accent Light Replacement" page 46. Replace the fuse. See fuse location below.

### Location of Fuses

The two 3 amp fuses are under the concealment cover (see page 37).





## ***Replacement Parts List***

---

Caution: Use only Travis Industries replacement parts. Do not use substitute materials.

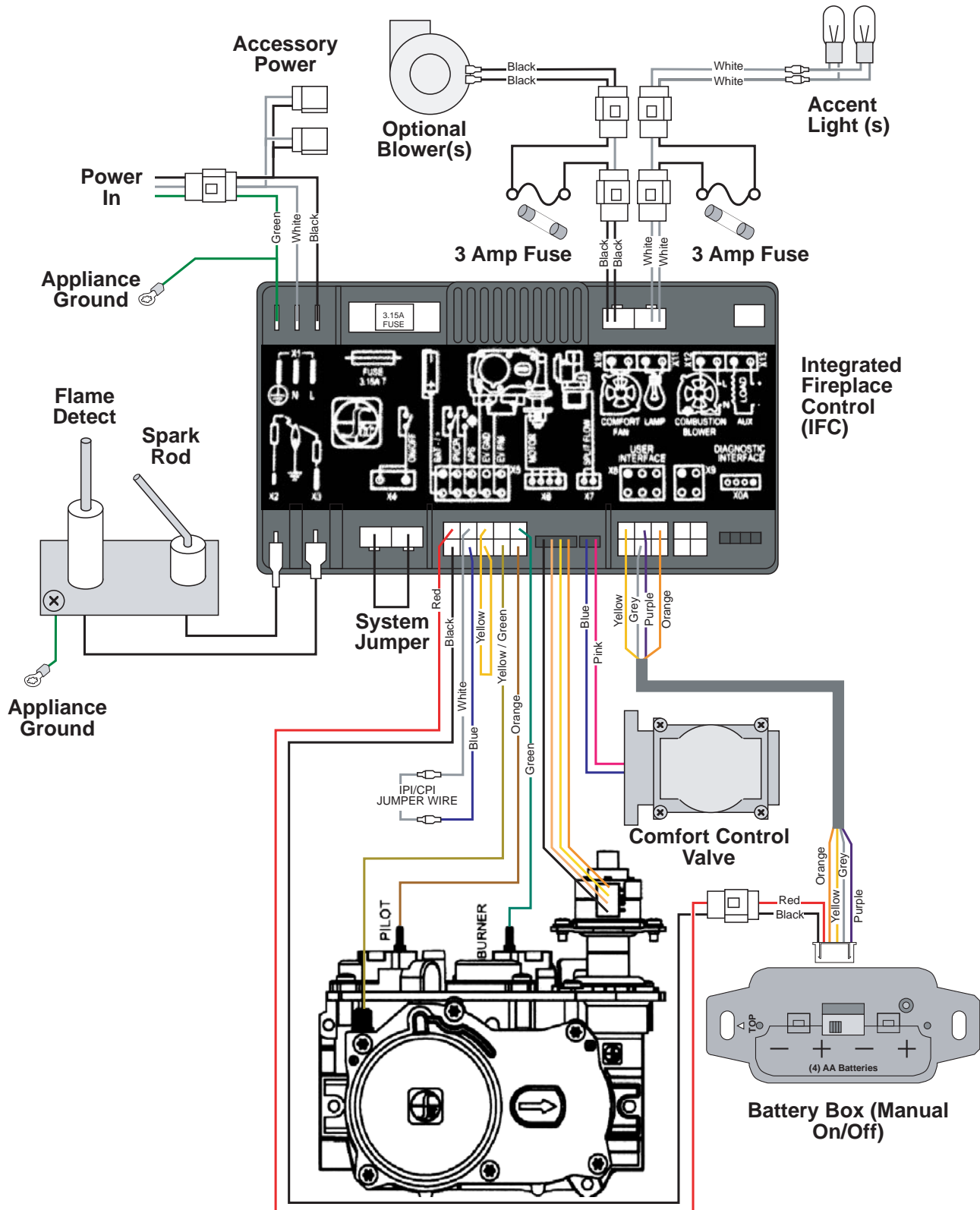
Warning: Do not operate appliance with the glass front removed, cracked, or broken. Replacement of the glass should be done by a licensed or qualified service person.

GLASS w/FRAME (only be replaced as a complete unit as supplied by the manufacturer)	250-02137
SCREEN BARRIER, FRONT	250-03375
SCREEN BARRIER, SIDE (x1)	250-03376
PILOT ASSY, NG PSE 3-WY	250-02903
PILOT ELECTRODE - PSE	250-02777
VALVE, PROFLAME, NG - GSR	250-01612

Contact your local Dragon Wholesaler Dealer to purchase replacement parts

## Wiring Diagram

**Caution:** Label all wires prior to disconnection when servicing controls. Wiring errors can cause improper and dangerous operation.



## Safety Label

The safety (listing) label is attached under the stove. A copy is shown below.

Minimum Clearances to Combustibles	
Stove top to sidewall	254 mm
Stove top to backwall	127 mm
Stove top to corner wall	127 mm
Glass front of unit	915 mm
Alcove minimum height	1220 mm
Alcove maximum depth	915 mm
Alcove minimum width	1274 mm


  

**FAN TYPE VENTED CIRCULATOR**  
Blower Electrical Rating: 240V, 1.5 Amps, 50 Hz, 150 Watts

	L.P.	N.G.	L.P.	N.G.
Input Rate on "Hi" (MJ/h)	44.5	38.3	Minimum Inlet Pressure (kPa)	2.74
Input Rate on "Lo" (MJ/h)	8.5	11.9	Maximum Inlet Pressure (kPa)	3.24
Orifice Size - Front (DMS)	#67	#49	Manifold Pressure on "Hi" (kPa)	2.64
Orifice Size - Rear (DMS)	#63	#43		.88


This appliance is equipped for installation 0-610 m. For altitudes above 600m, the vent configuration, orifice, or combination of both may need to be changed. See owner's manual for information on making these changes.

<b>MANUFACTURE DATE:</b> <input type="checkbox"/> 2018 <input type="checkbox"/> Jan. <input type="checkbox"/> Apr. <input type="checkbox"/> Jul. <input type="checkbox"/> Oct. <input type="checkbox"/> 2019 <input type="checkbox"/> Feb. <input type="checkbox"/> May <input type="checkbox"/> Aug. <input type="checkbox"/> Nov. <input type="checkbox"/> 2020 <input type="checkbox"/> Mar. <input type="checkbox"/> Jun. <input type="checkbox"/> Sep. <input type="checkbox"/> Dec.	Manufactured by:  <b>TRAVIS INDUSTRIES</b> HOUSEHOLD APPLIANCES 12591 Harbourside Drive Mulleet, WA 98275	Certificate Holder: <b>Dragon Wholesaling Pty. Ltd.</b> Unit 4, 16 Lexington Drive Bella Vista NSW 2163 Australia
--	--	---

[www.lopi.com.au](http://www.lopi.com.au)

1297



**Greenfield GSR2 (Au)**  
Vented Gas Fireplace Heater

Tested to the combustion performance and construction requirements of AS/NZS 5263.1.3 Gas Space Heating Appliances. This appliance must be installed in accordance with all local codes.

This Greenfield GSR2 (Au) appliance is equipped from the factory only for use with Natural Gas and is only for use with the type of gas indicated on the rating plate. For conversion to LP (Propane) use a certified kit supplied by the manufacturer. See owner's manual for information on making these changes.

This appliance may be installed in an aftermarket, permanently located, manufactured (mobile) home where not prohibited by local codes.

This vented gas fireplace heater is not for use with air filters. This appliance must be properly connected to a venting system in accordance with the manufacturer's installation instructions. Use only approved coaxial direct vent systems to vent this appliance to the exterior. See owner's manual for approved brands of venting.

**WARNING:** Improper installation, adjustment, alteration, service or maintenance can cause injury or property damage. Refer to the owner's information manual provided with this appliance. For assistance or additional information consult a qualified installer, service agency or the gas supplier.

**This appliance is a Vented Gas Fireplace Heater. Not for use with Solid Fuel.**

Young children should be carefully supervised at all times when they are in the same room as the appliance.

# Limited 7 Year Warranty

Register your **Dragon Wholesaling** Limited 7 Year Warranty online at [lopi.com.au](http://lopi.com.au). **Dragon Wholesaling** warrants this gas appliance (appliance is defined as the equipment manufactured by Travis Industries, Inc.) to be defect-free in material and workmanship to the original purchaser from the date of purchase as follows:

Check with your dealer in advance for any costs to you when arranging a warranty call.  
Mileage or service charges are not covered by this warranty. This charge can vary from store to store.

Component	Years 1 & 2 Parts & Labor	Years 3 Through 5 Parts & Labor	Years 6 & 7 Parts Only
<b>Burner Assembly</b> Burner Pan Assembly, Air Shutter Assembly, Main Burner Orifice	✓		
<b>Electrical Assembly (within heater structure):</b> Wiring harness, snap discs, rheostat speed control	✓		
<b>Gas Control Assembly</b> Adjustable control valve, fireplace controller, pilot assembly and pilot wiring	✓		
<b>Glass</b> Glass (breakage from thermal shock)	✓		
<b>Ceramic Logs</b> Log Set, Embers	✓		
<b>Gold, Nickel &amp; Copper Plating</b> Face & Door (see "Conditions and Exclusions" # 9)	✓		
<b>Enamel Finish</b> Warranted against peeling or fading, excluding chipping, mechanical abrasion, or crazing.	✓		
<b>Accessories</b> Firebacks, Power Heat Ducts, Andirons, etc...	✓		
<b>One-Way Freight Allowance</b> One-way freight allowance on pre-authorized repair done at factory is covered.	✓	✓	
<b>Convection Heat Exchanger</b> Convection heat exchanger assembly	✓	✓	
<b>Firebox Assembly</b> Adjustable Air Restrictor, Pressure Relief Mechanisms, Glass Attachment Mechanism	✓	✓	✓

## EXCLUDED COMPONENTS:

Paint, Gasketing, and Accent Light Bulbs

## CONDITIONS & EXCLUSIONS

- This new gas appliance must be installed by a qualified gas appliance technician. It must be installed, operated, and maintained at all times in accordance with the instructions in the Owner's Manual. Any alteration, willful abuse, accident, neglect, or misuse of the product shall nullify this warranty.
- This warranty is nontransferable, and is made to the ORIGINAL purchaser, provided that the purchase was made through an authorized TRAVIS dealer.
- Discoloration and some minor expansion, contraction, or movement of certain parts and resulting noise, is normal and not a defect and, therefore, not covered under warranty. The installer must ensure the appliance is burning as per the rating tag at the time of installation. Over-firing (operation above the listed BTU rate) of this appliance can cause serious damage and will nullify this warranty.
- The warranty, as outlined within this document, does not apply to the chimney components or other Non-Travis accessories used in conjunction with the installation of this product. If in doubt as to the extent of this warranty, contact your authorized TRAVIS retailer before installation.
- Travis Industries will not be responsible for inadequate performance caused by environmental conditions such as nearby trees, buildings, roof tops, wind, hills or mountains or negative pressure or other influences from mechanical systems such as furnaces, fans, clothes dryers, etc.
- This Warranty is void if:
  - The unit has been operated in atmospheres contaminated by chlorine, fluorine or other damaging chemicals.
  - The unit is subject to submersion in water or prolonged periods of dampness or condensation.
  - Any damage to the unit, combustion chamber, heat exchanger or other components due to water, or weather damage which is the result of, but not limited to, improper chimney/venting installation.
- Exclusions to this 7 Year Warranty include: injury, loss of use, damage, failure to function due to accident, negligence, misuse, improper installation, alteration or adjustment of the manufacturer's settings of components, lack of proper and regular maintenance, damage incurred while the appliance is in transit, alteration, or act of God.
- This 7 Year warranty excludes damage caused by normal wear and tear, such as paint discoloration or chipping, worn or torn gasketing, corroded or cracked logs, embers, etc. Also excluded is damage to the unit caused by abuse, improper installation, modification of the unit, drilling of the orifices, or the use of fuel other than that for which the unit is configured. Units are shipped for natural gas and must be converted to propane using the included conversion kit. Confirm fuel configuration with your installer.
- Damage to gold or nickel surfaces caused by fingerprints, scratches, melted items-, or other external sources left on the gold or nickel from the use of cleaners other than denatured alcohol is not covered in this warranty.
- TRAVIS INDUSTRIES, INC. is free of liability for any damages caused by the appliance, as well as inconvenience expenses and materials. Incidental or consequential damages are not covered by this warranty. In some states, the exclusion of incidental or consequential damage may not apply.
- This warranty does not cover any loss or damage incurred by the use or removal of any component or apparatus to or from the gas appliance without the express written permission of TRAVIS INDUSTRIES, INC. and bearing a TRAVIS INDUSTRIES, INC. label of approval.
- Any statement or representation of TRAVIS products and their performance contained in TRAVIS advertising, packaging literature, or printed material is not part of this 7 year warranty.
- This warranty is automatically voided if the appliance's serial number has been removed or altered in any way. If the appliance is used for commercial purposes, it is excluded from this warranty.
- No dealer, distributor, or similar person has the authority to represent or warrant TRAVIS products beyond the terms contained within this warranty. TRAVIS INDUSTRIES, INC. assumes no liability for such warranties or representations.
- Travis Industries will not cover the cost of the removal or re-installation of hearths, facing, mantels, venting or other components.
- If for any reason any section of this warranty is declared invalid, the balance of the warranty remains in effect and all other clauses shall remain in effect.
- THIS 7 YEAR WARRANTY IS THE ONLY WARRANTY SUPPLIED BY TRAVIS INDUSTRIES, INC., THE MANUFACTURER OF THE APPLIANCE. ALL OTHER WARRANTIES, WHETHER EXPRESS OR IMPLIED, ARE HEREBY EXPRESSLY DISCLAIMED AND PURCHASER'S RECOURSE IS EXPRESSLY LIMITED TO THE WARRANTIES SET FORTH HEREIN.**

## IF WARRANTY SERVICE IS NEEDED:

- If you discover a problem that you believe is covered by this warranty, you **MUST REPORT** it to your TRAVIS dealer **WITHIN 30 DAYS**, giving them proof of purchase, the purchase date, and the model name and serial number.
- Travis Industries has the option of either repairing or replacing the defective component.
- If your dealer is unable to repair your appliance's defect, he may process a warranty claim through TRAVIS INDUSTRIES, INC., including the name of the dealership where you purchased the appliance, a copy of your receipt showing the date of the appliance's purchase, and the serial number on your appliance. At that time, you may be asked to ship your appliance, freight charges prepaid, to TRAVIS INDUSTRIES, INC. TRAVIS INDUSTRIES, INC., at its option, will repair or replace, free of charge, your TRAVIS appliance if it is found to be defective in material or workmanship within the time frame stated within this 7 year warranty. TRAVIS INDUSTRIES, INC. will return your appliance, freight charges (years 1 to 5) prepaid by TRAVIS INDUSTRIES, INC., to your regional distributor, or dealership.
- Check with your dealer in advance for any costs to you when arranging a warranty call. Mileage or service charges are not covered by this warranty. This charge can vary from store to store.

## LP Conversion Instructions

The GSR Stepper Motor Kit is required for converting this appliance to LP (4-pack = 94400999, single = 250-01463). The kit contains the stepper motor (regulator) and torx wrench. The burner orifices are shipped with the appliance.

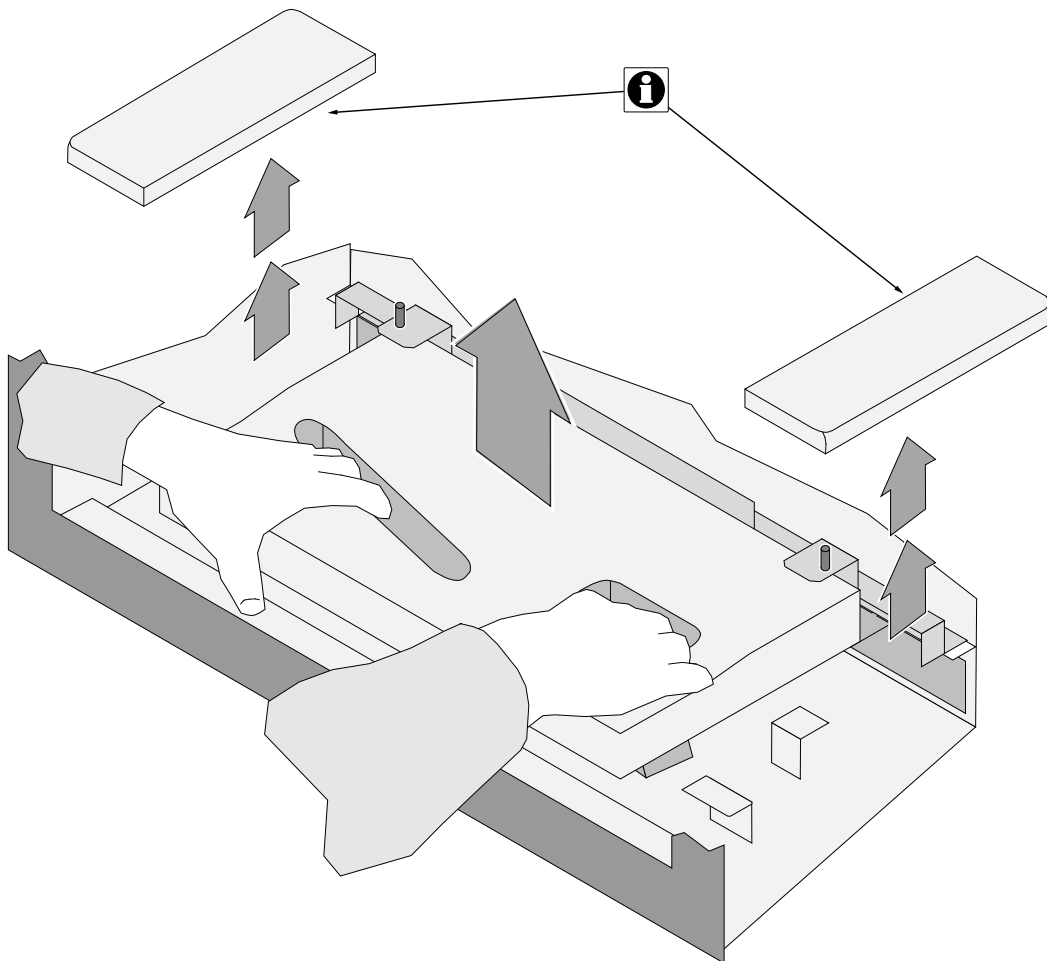
### **WARNING**

This conversion kit shall be installed by a qualified service agency in accordance with the manufacturer's instructions and all applicable codes and requirements of the authority having jurisdiction. If the information in these instructions are not followed exactly, a fire, explosion or production of carbon monoxide may result causing property damage, personal injury or loss of life. The qualified service agency is responsible for the proper installation of this kit. The installation is not proper and complete until the operation of the converted appliance is checked as specified in the manufacturer's instructions supplied with the kit.

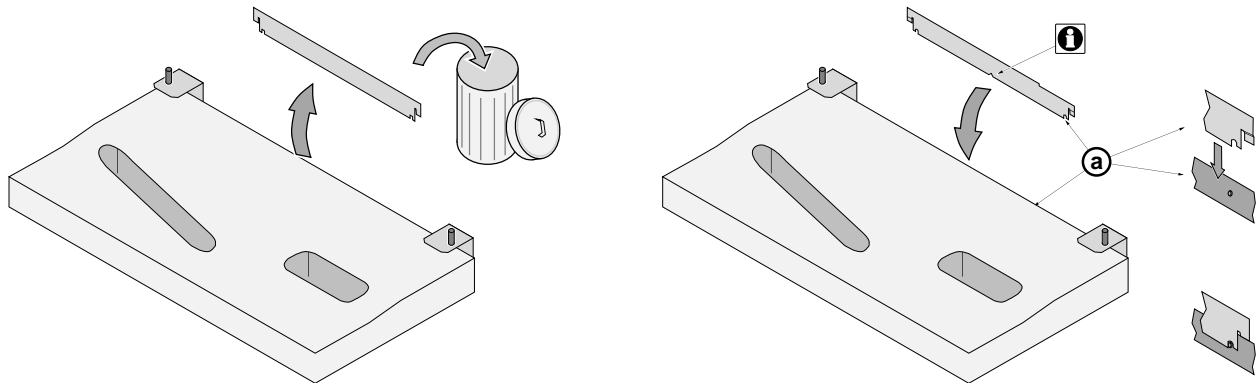
### **Convert the appliance prior to installing the gas line to ensure proper gas use.**

- 1 Access the firebox.
- 2 Remove the side ember trays. Grasp the burner with both hands and lift it straight up and out of the firebox.

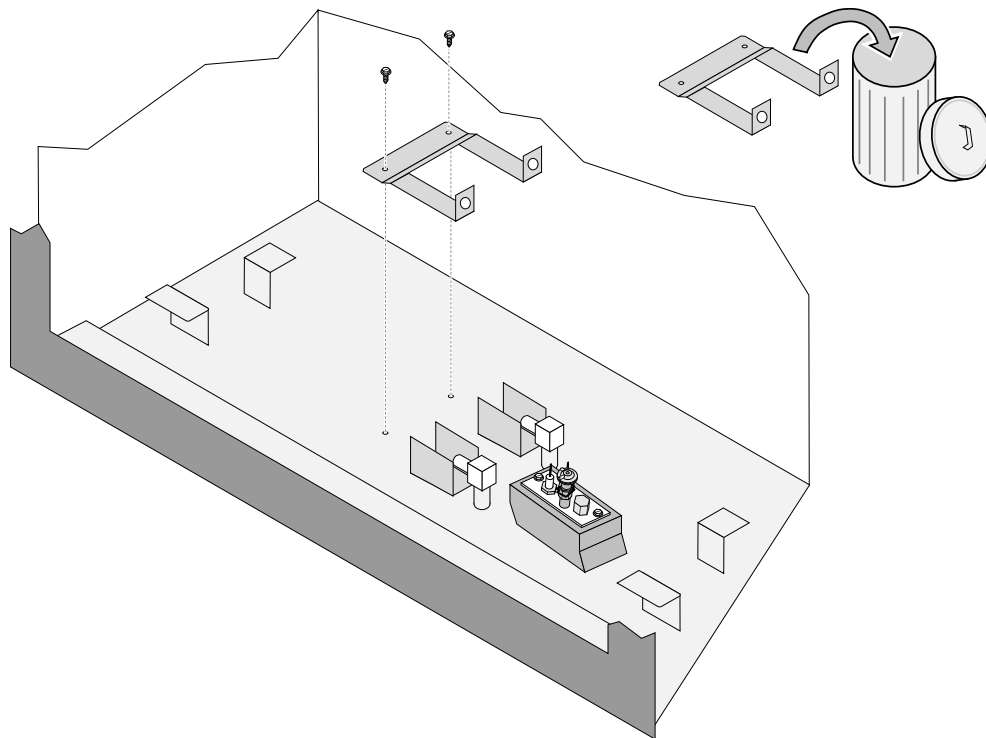
**NOTE:** When re-installing, make sure the flat edges of the ember trays face inwards.



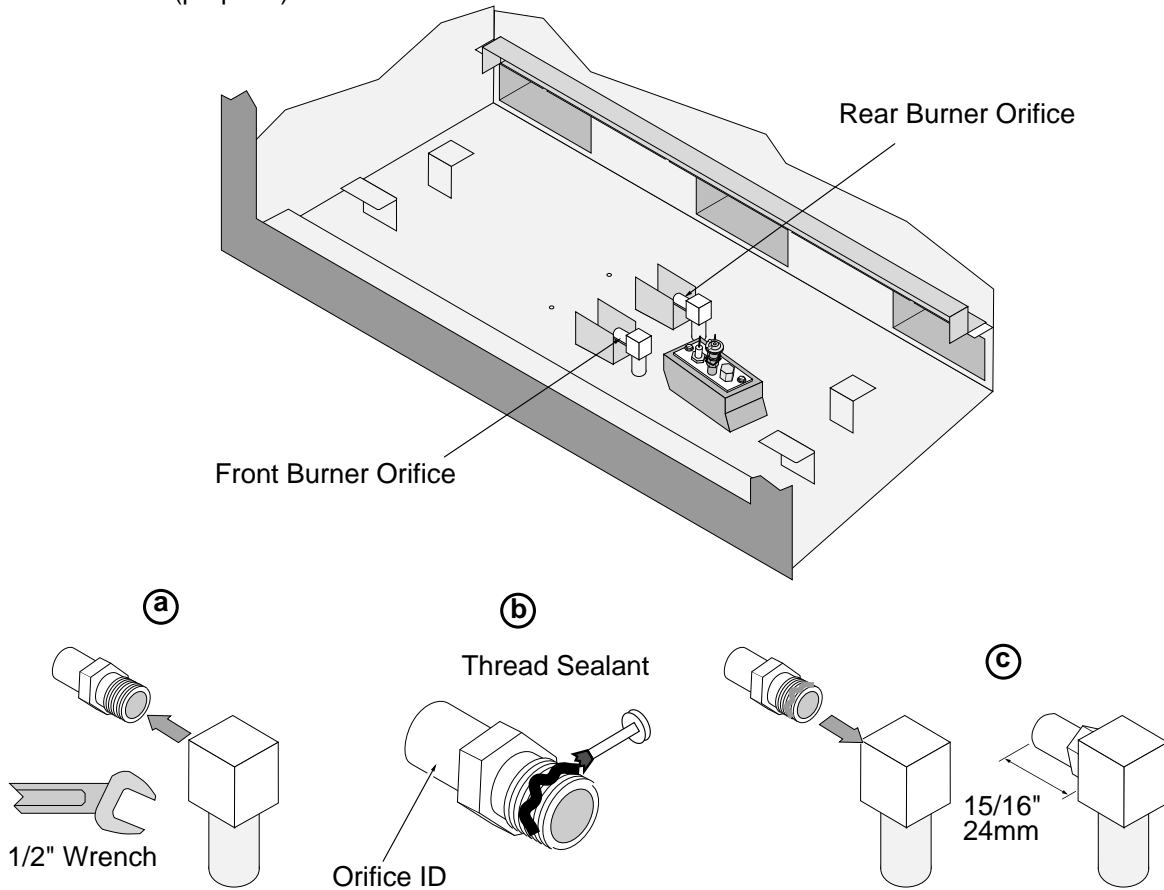
- 3 Remove and discard the rear air deflector (see below). Place the LP rear air deflector as shown below. Make sure the round notches fit over the dimples on the burner (see "a" below).



- 4 Discard the manifold cover (see below).

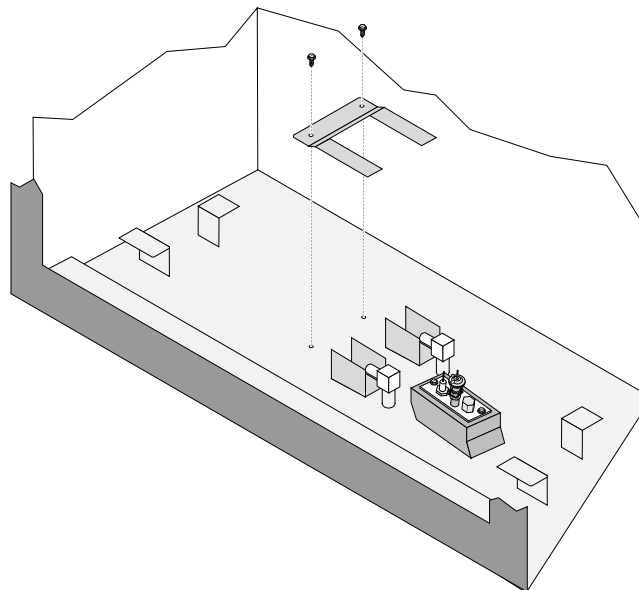


5 Install the LP (propane) orifices.

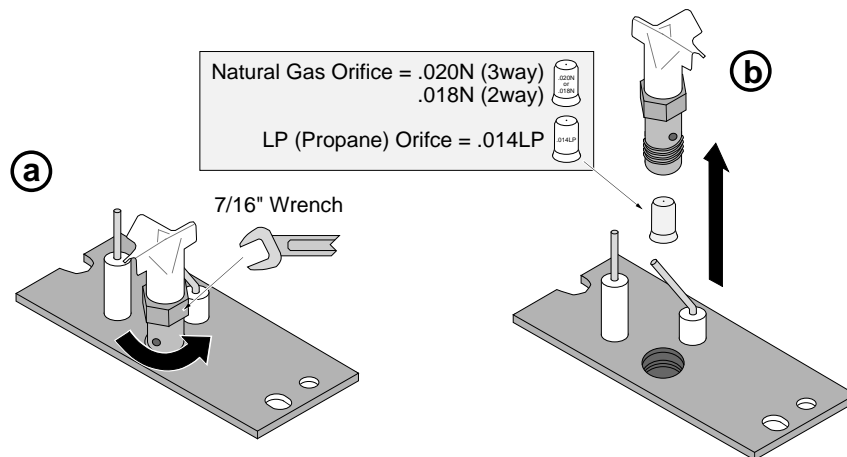


<b>ORIFICE SIZE (ID)</b>	Natural Gas	LP (Propane)
Front Burner Orifice	#49 DMS	#57 DMS
Rear Burner Orifice	#43 DMS	#53 DMS

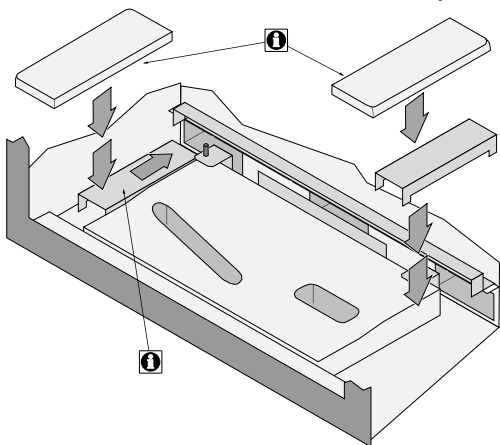
6 Install the LP (propane) manifold cover included in owner's pack (see illustration below).



- 7 Install the LP pilot orifice following the directions below.
- Use a 7/16" open-end wrench to remove the pilot hood.
  - Remove and discard the Natural Gas (NG) orifice. Place the LP orifice in the pilot assembly then replace the pilot hood, tightening the pilot hood until it is snug (do not over-tighten).

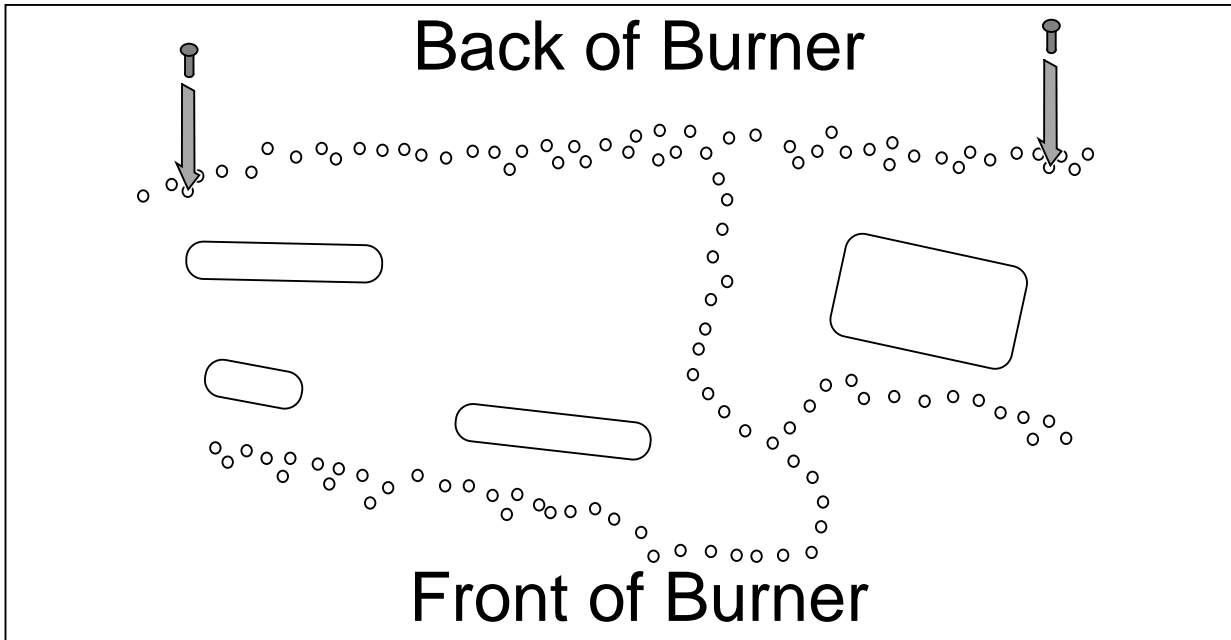


- 8 Replace the burner, making sure it is correctly seated. Before replacing the ember trays, make sure the steel ember stands are all the way to the back.

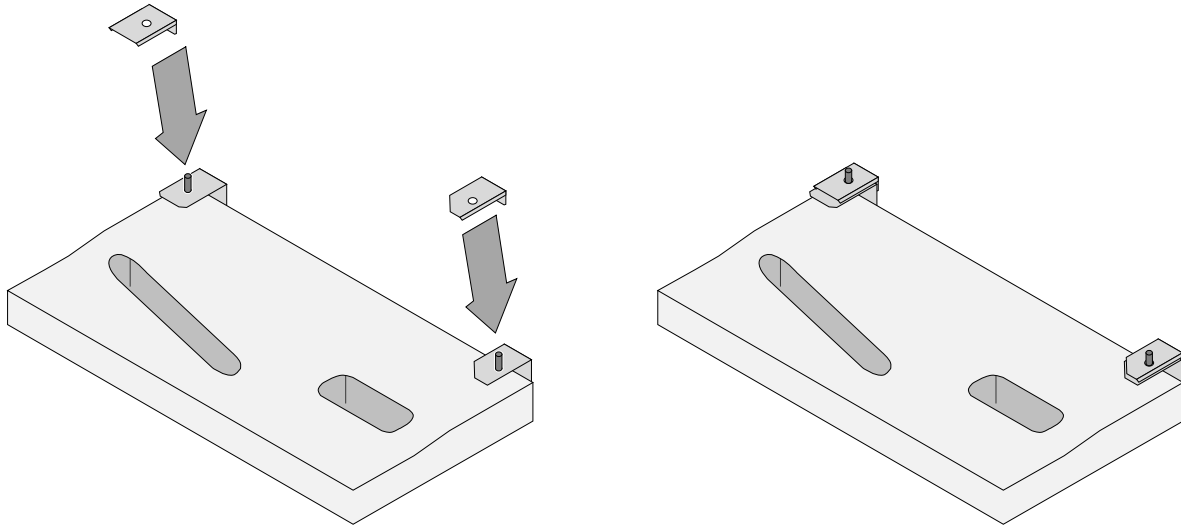




9 Place the two rivets into the burner holes shown below.

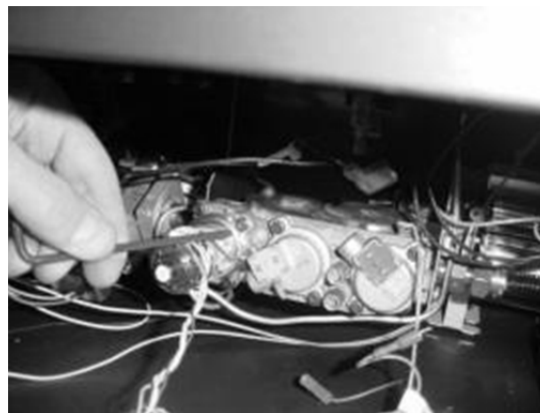
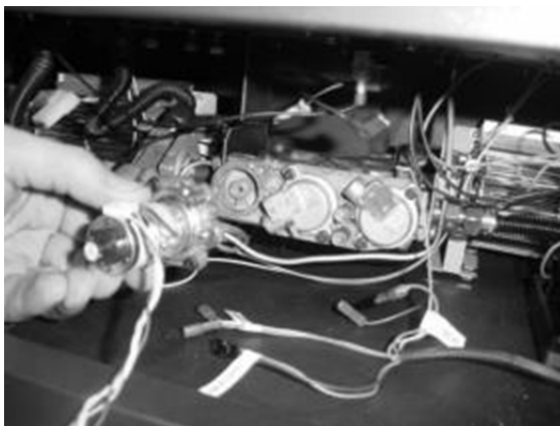


10 Place the included log spacers on the rear log shelves as shown below.



- 11 Remove the control panel to access the gas control valve. The stepper motor (adjustable regulator) has an installation sheet included with it – make sure to follow all of the directions. Place the stepper motor on the gas control valve (see pictures below) – **MAKE SURE IT IS CORRECTLY ORIENTED.** Secure using the screws included with the motor – tighten to 25 Lb-inches. Leak test this area after installation to verify proper installation.

**NOTE:** Install the identification label that is included with the conversion kit, to the valve body where it can be easily seen.



- 11 Restore the appliance to the correct configuration. Make the gas line connection, bleed the gas line (if applicable), start the heater and thoroughly leak-test all gas connections and the gas control valve.

**NOTE:** See page 29 for information regarding proper operation of the appliance. Test all functions described in the operation section to verify that everything is operating as expected.



**Index**

Accent Light Replacement .....	47	LP Conversion Instructions .....	53
Additional Items Required .....	9	Maintaining Your Stove's Appearance .....	46
Approved Vent Configurations .....	14	Mobile Home Requirements.....	11
Battery Replacement.....	44	Normal Operating Odors .....	45
Before You Begin .....	36	Normal Operating Sounds.....	45
Child-Proof Feature.....	45	Packing List.....	9
Class A Chimney Conversion Kit .....	24	Power Outages.....	44
Dimensions & Weight.....	7	Rear Vent Configuration Vented into Fireplace with Co-Linear Adapter .....	20
Direct Operation .....	38	Rear Vent Configuration with Horizontal Termination	18
Display Fahrenheit or Celsius .....	43	Rear Vent Configuration with No Rise .....	17
Electrical Requirements .....	11	Rear Vent Configuration with Vertical Termination	19
Electrical Specifications .....	7	Remote Control Warnings.....	36
Face and Glass Removal.....	28	Remote Operation.....	40
Floor Protection Requirements .....	11	Remote Set-Up.....	37
Fuel .....	7	Replacement Parts List .....	49
Gas Line Installation.....	12	Starting the Stove for the First Time .....	39
Heater Placement Requirements .....	11	Steps for Finalizing the Installation .....	26
Heating Specifications.....	7	Stove Clearances.....	10
Important Information .....	2	Top to Rear Vent Modification.....	8, 11
Installation Hints.....	9	Top Vent Configuration with Horizontal Termination	22
Installation Overview .....	9	Top Vent Configuration with Vertical Termination..	21
Installation Warnings.....	8	Troubleshooting Table .....	49
Interior Masonry Chimney Conversions .....	25	Vent Requirements .....	13
Intermittent/Continuous Pilot.....	39	Vent Termination Requirements .....	23
Listing Details.....	2	Wiring Diagram.....	50
Location of Controls .....	38	Yearly Service Procedure .....	48
Log Installation .....	30		
Low Battery Indicator .....	44		