

## ProBuilder 36 CleanFace ST (AUST) GSR2 Fireplace



**WARNING:** If the information in these instructions is not followed exactly, a fire or explosion may result causing property damage, personal injury or loss of life.

- DO NOT PLACE ARTICLES ON OR AGAINST THIS APPLIANCE.
- DO NOT USE OR STORE FLAMMABLE MATERIALS NEAR THIS APPLIANCE.
- DO NOT SPRAY AEROSOLS IN THE VICINITY OF THIS APPLIANCE WHILE IT IS IN OPERATION.
- DO NOT MODIFY THIS APPLIANCE.
- Do not store or use gasoline or other flammable vapors and liquids in the vicinity of this or any other appliance.

### WHAT TO DO IF YOU SMELL GAS

- Do not try to light any appliance.
- Do not touch any electrical switch; do not use any phone in your building.
- Immediately call gas supplier from a neighbor's phone. Follow the gas supplier's instructions.
- If you cannot reach your gas supplier, call the fire department.
- Installation and service must be performed by a qualified installer, service agency or the gas supplier.

This appliance may be installed in an aftermarket permanently located, manufactured home (USA only) or mobile home, where not prohibited by local codes.

***This appliance is only for use with the type(s) of gas indicated on the rating plate. A conversion kit is supplied with the appliance.***

## WARNING



**HOT GLASS WILL CAUSE BURNS.  
DO NOT TOUCH GLASS UNTIL COOLED.  
NEVER ALLOW CHILDREN TO TOUCH GLASS.**

## Operation Manual

**Installer:** After installation give this manual to the homeowner and explain operation of this heater.

© Copyright 2023, T.I. \$10.00 100-01588 4/26/23

Dragon Wholesaling Pty. Ltd.  
Unit 4, 16 Lexington Drive  
Bella Vista NSW  
Australia 2153

## Introduction

We welcome you as a new owner of a ProBuilder GSR2 gas fireplace. This manual details operation and maintenance of this fireplace. Please familiarize yourself with the Owner's Manual before operating your heater and save the manual for future reference.

## Important Information

No other ProBuilder gas fireplace has the same serial number as yours. The serial number is on the listing label that is chained to the gas control valve. This serial number may be needed in case you require service.

Model: ProBuilder 36CF ST GSR2

Serial Number: \_\_\_\_\_

Purchase Date: \_\_\_\_\_

Purchased From: \_\_\_\_\_

**Register your warranty online at:**

[traviswarranty.com](http://traviswarranty.com)

**Save Your Bill of Sale.**

To receive full warranty coverage, you will need to show evidence of the date you purchased your heater.

We suggest that you attach your Bill of Sale to this page so that you will have all the information you need in one place should the need for service or information occur.

## Installation Warnings

- **Installation requirements are printed in the ProBuilder GSR2 Installation Manual. All requirements in the installation manual must be met.**
- **Failure to follow all of the requirements may result in property damage, bodily injury, or even death.**
- **This heater must be installed by a qualified installer who has gone through a training program for the installation of direct vent gas appliances.**
- **This appliance must be installed in accordance with all local codes if any; if not, follow ANSI Z223.1 and NFPA 54(88). In Australia follow AS/NZS 5601.1.**
- **Manufactured or Mobile Homes must conform with Manufactured Home Construction and Safety Standard, Title 24 CFR, Part 3280, or, when such a standard is not applicable, the Standard for Manufactured Home Installations, ANSI/NCSCS A225.1. This appliance may be installed in Manufactured Housing only after the home is site located.**
- **The fireplace is designed to operate on natural gas, or propane (LP).**
- **All exhaust gases must be vented outside the structure of the living area. Combustion air is drawn from outside the living-area structure.**
- **Notify your insurance company before hooking up this fireplace.**
- **Do not install in a fireplace.**
- **Primarily a decorative and not a heating appliance.**

## Table of Contents

<b>Introduction</b> .....	<b>2</b>	<b>Battery Replacement</b> .....	<b>16</b>
<b>Important Information</b> .....	<b>2</b>	Opening the Battery Box .....	16
<b>Installation Warnings</b> .....	<b>2</b>	Battery Installation .....	16
<b>Table of Contents</b> .....	<b>3</b>	Transmitter Battery Installation .....	16
<b>Features</b> .....	<b>3</b>	<b>Child-Proof Feature</b> .....	<b>17</b>
<b>Heating Specifications</b> .....	<b>3</b>	<b>Normal Operating Odors</b> .....	<b>17</b>
<b>Before You Begin</b> .....	<b>6</b>	<b>Power Outages</b> .....	<b>17</b>
<b>Location of Controls</b> .....	<b>6</b>	<b>Glass Frame Removal and Installation</b> .....	<b>18</b>
<i>Remote Control Warnings</i> .....	7	<b>Remove the glass frame following the</b>	
<b>Remote Set-Up</b> .....	<b>8</b>	<b>directions below</b> .....	<b>19</b>
Verify the Switch is on "REMOTE" .....	8	<b>Log Set Installation</b> .....	<b>21</b>
Synchronize the Transmitter to the IFC .....	8	<b>Part Numbers / Compatibility</b> .....	21
Clearing the System Memory .....	8	<b>Installation Warnings</b> .....	21
<b>Direct Operation</b> .....	<b>9</b>	<b>Installation</b> .....	21
<b>Starting the Fireplace for the First Time</b> .....	<b>9</b>	<b>Log Set Overview – Classic Oak 94500642</b> .....	22
<b>Intermittent/Continuous Pilot</b> .....	<b>10</b>	<b>Installation</b> .....	23
Switching from Intermittent (IPI) to		<b>Ember bed Glass and Ember Material</b>	
Continuous Pilot (CPI) .....	10	<b>Installation</b> .....	<b>30</b>
<b>Pilot Fuel Conservation Timer</b> .....	<b>11</b>	Ember bed Glass Installation .....	30
<b>Remote Operation</b> .....	<b>12</b>	Ember Material Installation .....	31
Display Overview .....	12	<b>Maintaining Your Heater's Appearance</b> .....	<b>31</b>
Listen for the "Beep" .....	12	Cleaning The Glass .....	31
<b>Manual On-Off / Smart Thermostat /</b>		Cleaning the Fireplace .....	31
<b>Standard Thermostat</b> .....	<b>13</b>	<b>Bulb Replacement</b> .....	<b>32</b>
<b>Mode Controls</b> .....	<b>14</b>	<b>Yearly Service Procedure</b> .....	<b>33</b>
Flame Height .....	14	<b>Troubleshooting Table</b> .....	<b>34</b>
Blower Speed .....	14	<b>Replacement Parts List</b> .....	<b>35</b>
<b>Mode Controls - continued</b> .....	<b>15</b>	<b>Wiring Diagram</b> .....	<b>36</b>
<b>Display Fahrenheit or Celsius</b> .....	<b>15</b>	Safety Label .....	37
<b>Low Battery Indicator</b> .....	<b>15</b>	<b>CONDITIONS &amp; EXCLUSIONS</b> .....	<b>38</b>
Transmitter Batteries .....	15	<b>IF WARRANTY SERVICE IS NEEDED:</b> .....	<b>38</b>
IFC Batteries .....	15	<b>Index</b> .....	<b>40</b>

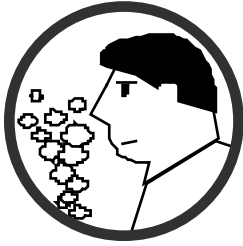
## Features

- Works During Power Outages
- Contemporary Look
- Blower for Heat Distribution
- Remote Thermostat
- Standing or Intermittent (GreenSmart) Pilot
- Variable-Rate Heat Output
- Low Maintenance

## Heating Specifications

	Natural Gas	Propane
Approximate Heating Capacity (in square meters) *	Up to 168	Up to 168
Maximum Input megajoules Per Hour	40.84	40.91

\* Heating capacity will vary with floor plan, insulation, and outside temperature.



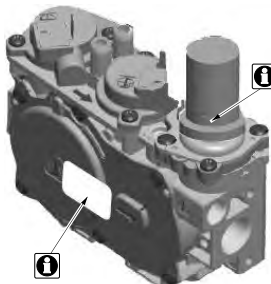
### **IF YOU SMELL GAS:**

- \* Do not light any appliance
- \* Extinguish any open flame
- \* Do not touch any electrical switch or plug or unplug anything
- \* Open windows and vacate the building
- \* Call gas supplier from neighbor's house, if not reached, call the fire department



This unit must be installed by a qualified installer to prevent the possibility of an explosion. Your dealer will know the requirements in your area and can inform you of those people considered qualified. The room heater should be inspected and cleaned before use and at least annually by a qualified service person. More frequent cleaning may be required due to excessive lint from carpeting, bedding material, etc.

The instructions in this manual must be strictly adhered to. Do not use makeshift methods or compromise in the installation. Improper installation will void the warranty and safety listing.



This heater is either approved for natural gas (NG) or for propane (LP). Burning the incorrect fuel will void the warranty and safety listing and may cause an extreme safety hazard. Direct questions about the type of fuel used to your dealer. Check for a label on the flame adjust knob on the gas control valve (this is the best place to check). You may also check for a label on the gas control valve body.



Contact your local building officials to obtain a permit and information on any installation restrictions or inspection requirements in your area. Notify your insurance company of this heater as well.



If the flame becomes sooty, dark orange in color, or extremely tall, do not operate the heater. Call your dealer and arrange for proper servicing.



It is imperative that control compartments, screens, or circulating air passageways of the heater be kept clean and free of obstructions. These areas provide the air necessary for safe operation.



Do not operate the heater if it is not operating properly in any fashion or if you are uncertain. Call your dealer for a full explanation of your heater and what to expect.



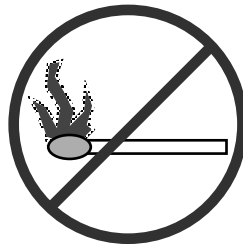
Do not store or use gasoline or other flammable liquids in the vicinity of this heater.



Do not operate if any portion of the heater was submerged in water or if any corrosion occurs. Immediately call a qualified service technician to inspect the appliance and to replace any part of the control system and any gas control that has been under water.



Do not place clothing or other flammable items on or near the heater. Because this heater can be controlled by a thermostat there is a possibility of the heater turning on and igniting any items placed on or near it.



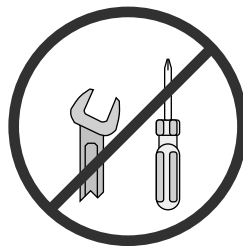
Light the heater using the built-in igniter. Do not use matches or any other external device to light your heater.

Allow the heater to cool before carrying out any maintenance or cleaning.



The viewing glass should be opened only for conducting service. Do not operate with cracked, broken, or removed glass.

Any safety screen or guard removed for servicing must be replaced prior to operating the heater.

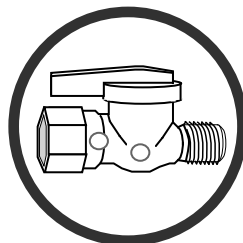


Never remove, replace, modify or substitute any part of the heater unless instructions are given in this manual. All other work must be done by a trained technician. Don't modify or replace orifices.



Operate the heater according to the instructions included in this manual.

If the main burners do not start correctly turn the gas off at the gas control valve and call your dealer for service.



Instruct everyone in the house how to shut the gas off to the appliance and at the gas main shutoff valve. The gas main shutoff valve is usually next to the gas meter or propane tank and requires a wrench to shut off.



This unit is not for use with solid fuel

Do not place anything inside the firebox (except the crushed glass).

If any component becomes damaged, replace with Travis Industries components.



Do not throw this manual away. This manual has important operating and maintenance instructions that you will need at a later time. Always follow the instructions in this manual.



Children and adults should be alerted to the hazards of high surface temperature and should stay away to avoid burns or clothing ignition. Young children should be supervised when they are in the same room as the heater.



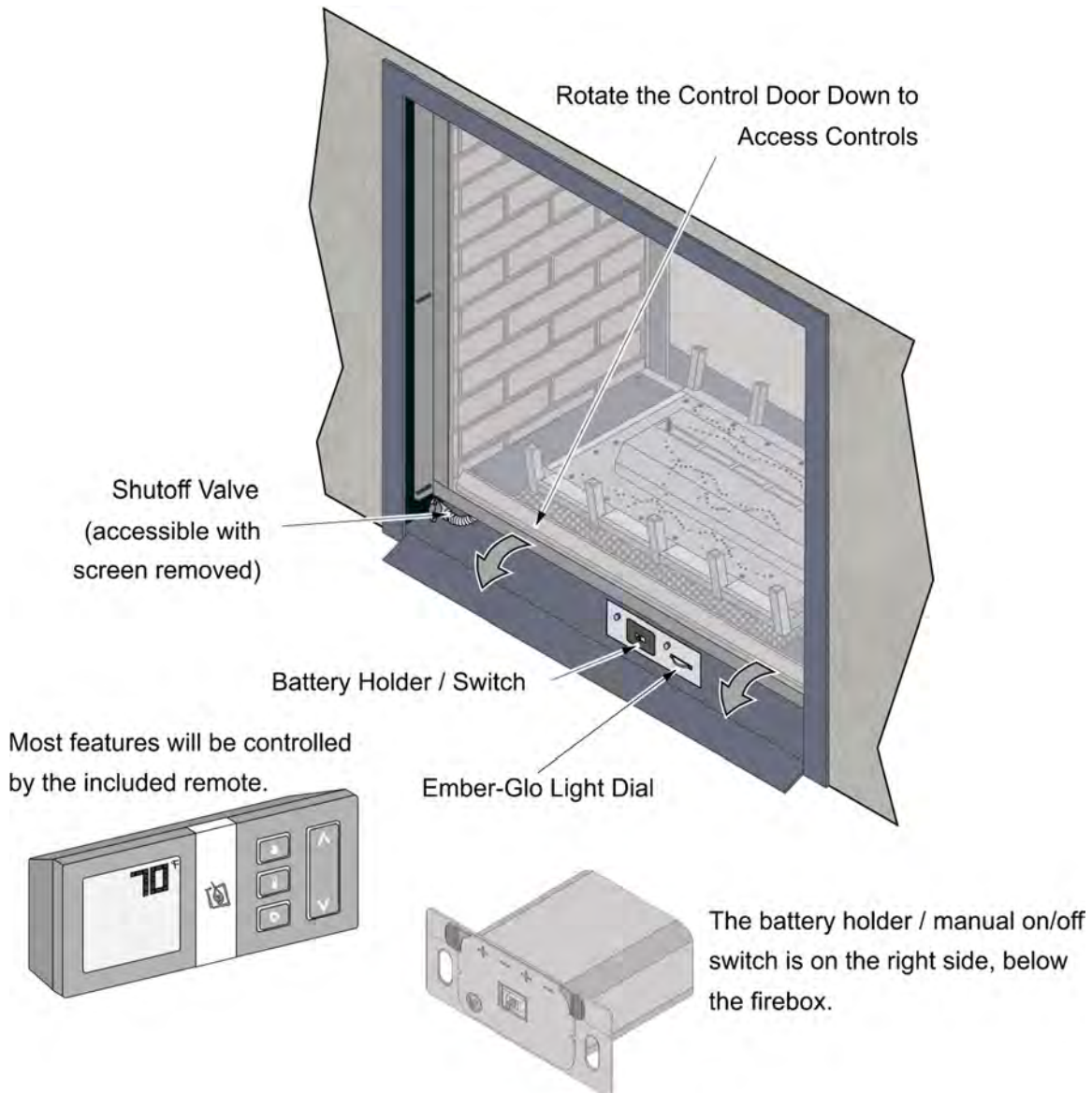
**Travis Industries, Inc. grants no warranty, implied or stated, for the installation or maintenance of your heater, and assumes no responsibility for any consequential damage(s).**

### ***Before You Begin***

- Read this entire manual before you use your new heater (especially the section "Safety Precautions" on pages 4 & 5). Failure to follow the instructions may result in property damage, bodily injury, or even death.

### ***Location of Controls***

There is a door on the lower portion of the screen assembly to provide access to the manual controls on the fireplace. The door is held closed by two magnets. Open the door by gently pulling outward on the upper portion of the lower trim.



## Remote Control Warnings



### **KEEP BATTERIES INSTALLED AT ALL TIMES**

The remote control system requires the batteries to remain in place at all times. Once the batteries are removed, the system may re-start in standing pilot mode. If this occurs when the heater is in Remote Mode, you will not be able to turn the heater off manually from the battery box.

If you need to replace dead batteries, make sure to **turn the appliance off** before removing the batteries.

**NOTE:** If the batteries go dead, the system will operate normally as long as household power (120v AC) is present.



The transmitter and IFC are radio frequency devices. Placing the transmitter in or near metal may severely reduce the signal range.



Turn off the main gas supply to the appliance during installation or maintenance. In case of remote control malfunction turn off the main gas supply to the appliance.

### **PROGRAMMING THE REMOTE**

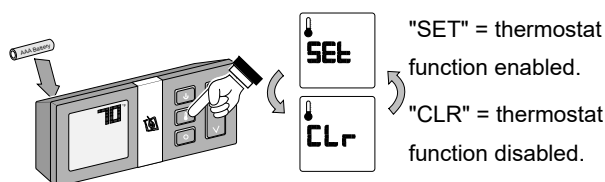
The SIT GSR2 remote may be programmed to disable the thermostat or any of the modes (flame height, blower, light, comfort control, Standing Pilot \*, or auxiliary power input). This allows you to tailor the remote to the appliance.

\* We do not recommend disabling the standing pilot option for our gas appliances. This feature may be recommended for cold regions or installations with sub-optimal venting.

#### **How to Disable/Enable the Thermostat**

The remote is shipped with the thermostat enabled.

- 1 Remove one battery from the remote.
- 2 Press and hold the thermostat button while replacing the battery. Repeat this process to toggle the thermostat function to the desired setting.



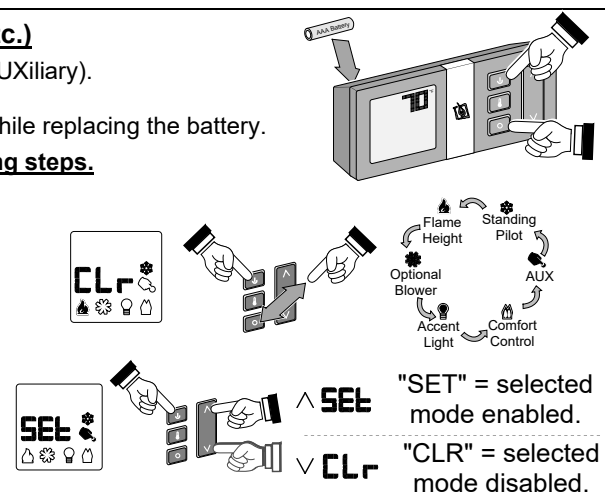
#### **How to Disable/Enable Modes (Light, Blower, etc.)**

The remote is shipped with all modes enabled (except AUXiliary).

- 1 Remove one battery from the remote.
- 2 Press and hold the on/off button and mode button while replacing the battery.

**Keep the on/off button depressed during the following steps.**

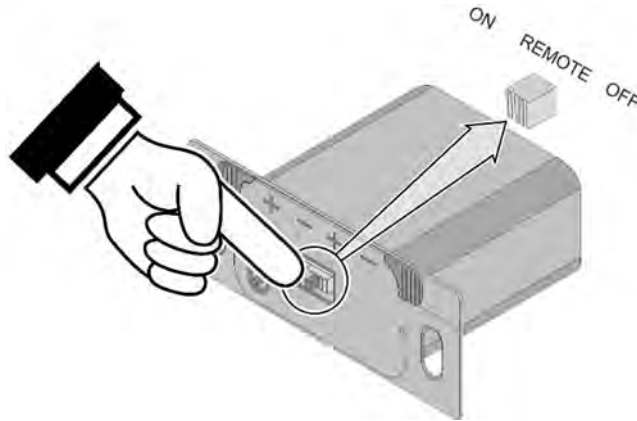
- 3 While keeping the on/off button depressed, press and release the mode button until the mode that needs to be changed is illuminated.
- 4 With the desired mode illuminated (see illustration to the right), press the "up" or "down" button to activate or clear the mode being addressed. Make sure to keep the on/off button depressed during this process.
- 5 Release the on/off button to complete programming.



## Remote Set-Up

### Verify the Switch is on “REMOTE”

The battery holder has a switch built into it (see below). This switch must remain in the REMOTE position for the remote to operate.

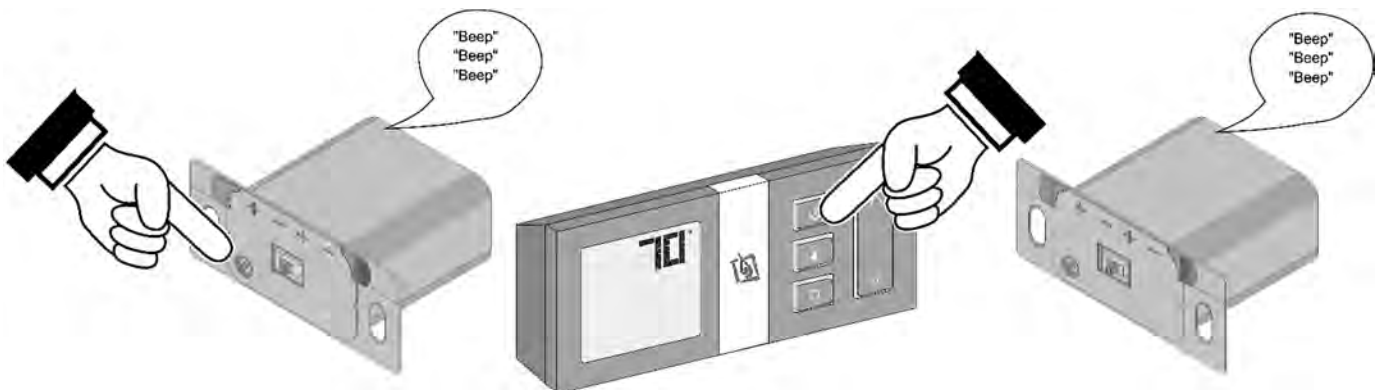


### Synchronize the Transmitter to the IFC

The transmitter will need to be synchronized to the IFC (Integrated Fireplace Control) before the remote will work correctly. Synchronizing is done in the following two steps below (see below):

Press the PRG (Program) button on the battery box (IFC will beep 3 times).

Press the “ON” button on the transmitter (IFC will beep 3 times).



**NOTE:** If power is cut off to the IFC for an extended period, you may need to re-synchronize the remote.

#### Clearing the System Memory

This appliance uses an Integrated Fireplace Control (IFC) to store the unique code for the remote control. If you wish to clear the system memory, **MAKE SURE GAS IS TURNED OFF TO THE APPLIANCE** then press the PRG (Program) button for 10 seconds. The pilot will start to spark repeatedly, signifying all system memory has been cleared. The system will return to its original configuration: a remote will need to be synchronized; and, the system will operate under continuous pilot mode.



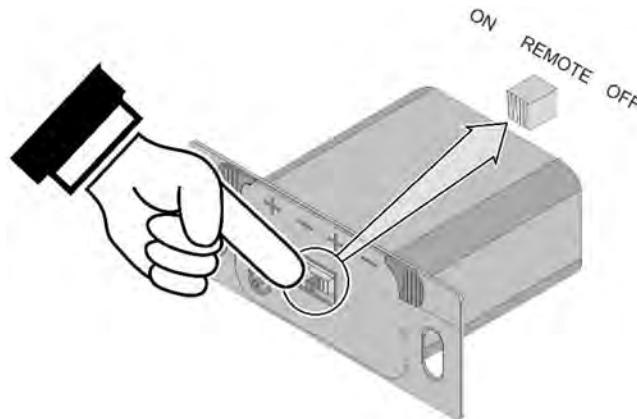
## Direct Operation

We recommend using the remote to operate the fireplace. If you do need to operate the fireplace directly, remove the screen frame assembly (see page 18). The on/remote/off switch on the battery box may then be accessed.

**ON** – Burner turns on (regardless of transmitter settings).

**OFF** – Burner turns off (regardless of transmitter settings).

**REMOTE** – Burner is controlled by the transmitter.



**NOTE:** When the battery holder switch is turned to ON or OFF, the mode settings (Flame Height, Comfort Control) will remain in the same state as before the switch was moved (i.e.: the IFC “remembers” the last setting). If you wish to adjust the mode settings use the transmitter mode button to adjust the settings (see “Mode Controls” on page 14). The thermostat and burner on/off operating functions will not work on the transmitter.

## Starting the Fireplace for the First Time

- Burn the heater at a high setting with the blower off for an extended period (up to 48 hours). This will cure the painted surfaces. **Fumes** from the paint curing and oil burning off the steel will occur. This is normal. We recommend opening a window to vent the room.
- **Condensation** may appear on the glass each time you start the fireplace - this is normal.
- **Blue Flames** will occur on the fireplace when it first comes on. After fifteen minutes the flames will turn a more realistic yellow and orange color.
- Certain installations use a remote, thermostat, or wall switch to turn the fireplace on and off. If this is the case, leave the ON/OFF switch "ON".
- Verify the power backup and control light batteries are installed.

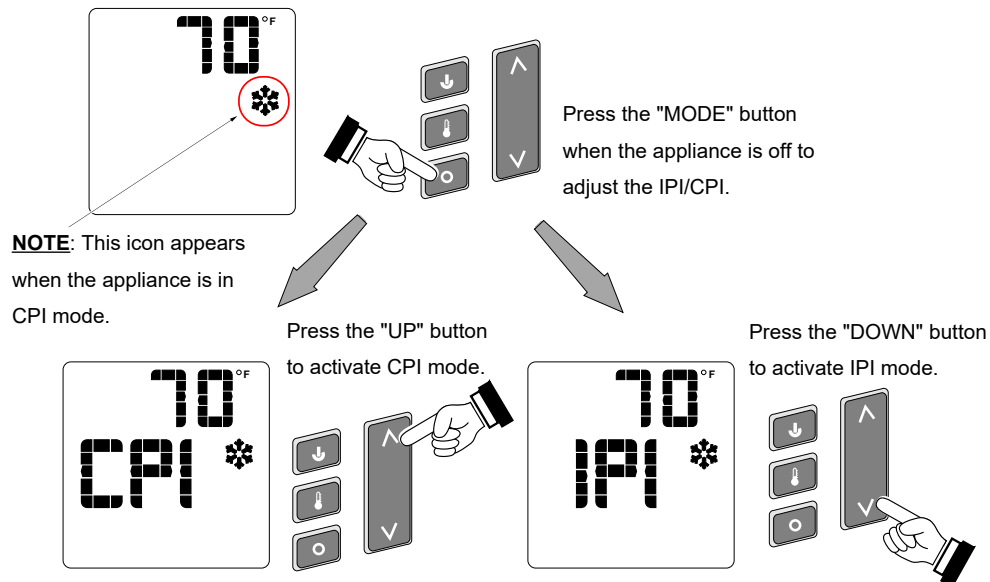
## Intermittent/Continuous Pilot

This heater may run with the pilot continuously running or in intermittent mode. For most homeowners, the intermittent mode is preferred (this saves fuel and doesn't give off unneeded heat). However, in some situations, the homeowner may prefer to switch the heater to continuous pilot. The most typical reasons for switching to continuous pilot are:

- Very Cold Conditions – in very cold conditions you may notice that the burner does not light quickly, and the flames lift off the burner. If this is the situation, we recommend you switch to continuous pilot. This will create a slight draft in the vent, allowing for the burner to light quickly and draft correctly.
- Excessive Condensation on Glass After Startup – certain installations may encounter excessive fogging on the window after startup (not just the first time the heater was started). This is an aesthetic condition that may be remedied by switching the heater to continuous pilot.
- Cold Glass or Heater Front – in very cold conditions you may notice that the heater front and glass become very cold. To remedy this, switch the heater to continuous pilot.
- Frequent On / Off Operation – if you are frequently turning the heater on and off, you may wish to leave it in continuous pilot. This allows the burner to turn on more quickly, without pilot ignition delay.

### Switching from Intermittent (IPI) to Continuous Pilot (CPI)

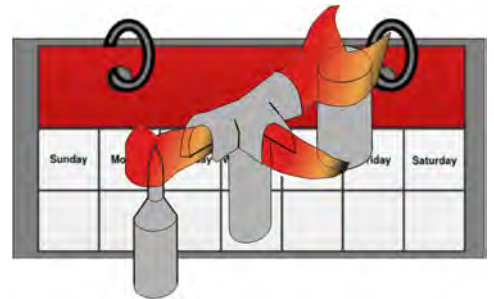
The pilot mode on this appliance is adjusted using the remote. With the remote in the off position (thermostat off, manual off), follow the directions below to adjust the pilot mode.



## ***Pilot Fuel Conservation Timer***

### **7 Day Pilot Shutoff Timer (applies to units in CPI mode only)**

This appliance may be equipped with a 7-day pilot shutoff timer. This timer helps conserve fuel and save money by turning the pilot off when the appliance is not used for 7 days (this timer is mandated in certain areas for conservation purposes). This applies only when the unit is in CPI (Continuous Pilot Ignition) mode. If the unit is in IPI (Intermittent Pilot Ignition) mode, the timer does not apply.



When in CPI mode the pilot will remain lit as long as the burner is engaged within a 7 day window. Each time the burner is turned on the 7-day timer resets. If the burner is not engaged within the 7 day window, the pilot will automatically revert to IPI mode and turn off to conserve fuel.

### **To switch back to CPI, simply:**

GSB2 Units: toggle the IPI/CPI switch to IPI, then back to CPI.

GSR2 Units: use the remote to toggle from IPI mode, then back to CPI mode.

To prevent the need to reset the pilot mode during the heating season, we have listed a few strategies below:

### **Option 1: Remember to periodically turn on the heater during the heating season**

If you use your heater for supplemental heat, this may be the best solution. Set a specific time, once or twice per week (e.g. 5 pm on Tuesday & Friday) to turn the heater on for a few minutes. This will reset the timer and prevent the need to restart the pilot.

### **Option 2: Use a thermostat**

GSR Units: Use the thermostat included with the appliance

GSB Units: Consult your dealer for thermostats compatible with your appliance.

The use of a thermostat will keep the room at a constant temperature and will, in most cases, keep the heater working throughout the heating season. Light the pilot at the beginning of the heating season and set the thermostat to the desired room temperature. As long as the outside temperature does not rise excessively, for seven days or more, the pilot will continue to operate.

### **Option 3: Use a programmable thermostat (GSB2 Only)**

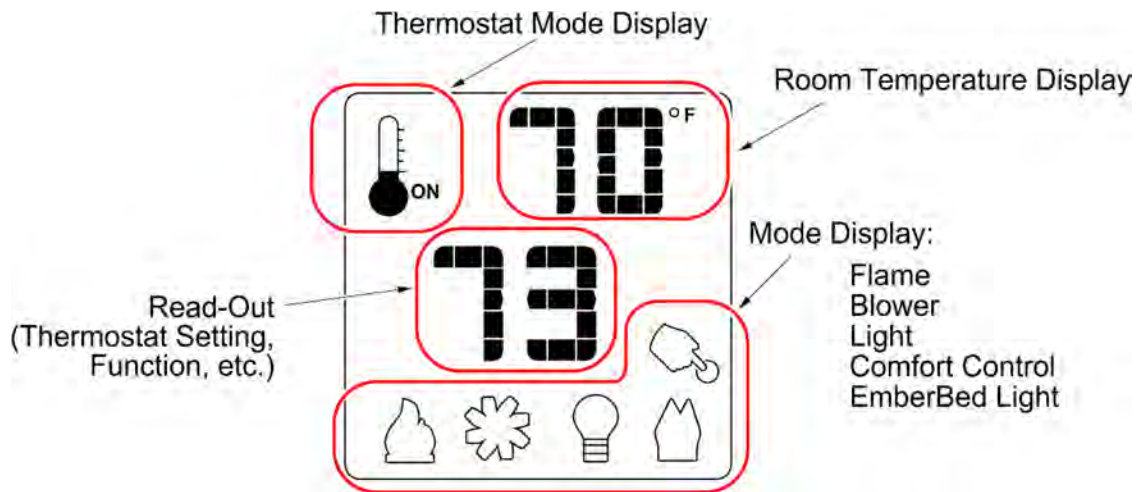
A programmable thermostat may be set to turn on, once per week, to a high temperature for a short time. This will reset the 7-day timer and allow the heater to operate without having to restart the pilot.

## Remote Operation

When the switch on the battery holder is set to "REMOTE" the transmitter operates the fireplace. Once you understand how the transmitter works, you will be able to operate your fireplace quickly and easily.

### Display Overview

The transmitter display has four main sections (see below).



### Listen for the "Beep"

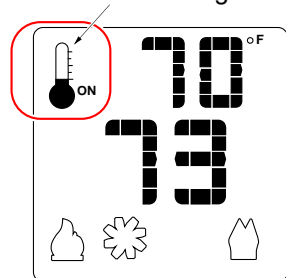
Each time you press a button on the transmitter that controls the fireplace, a "beep" will come from the IFC. When you change thermostat target settings the IFC will not beep.

**NOTE:** When the batteries start to get low, the IFC will beep twice whenever a button is pressed. When the batteries are nearly depleted, the IFC will no longer beep. See "IFC Batteries" on page 15).

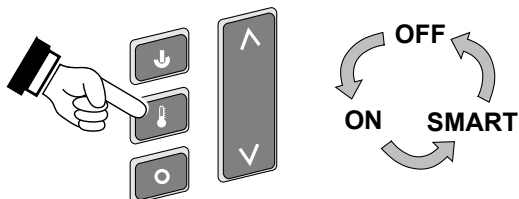
## Manual On-Off / Smart Thermostat / Standard Thermostat

Use the thermostat button to cycle through the three thermostat settings (see below).

Look here for the thermostat setting.

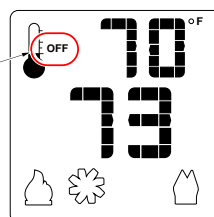


Press the thermostat button to cycle through the thermostat settings.



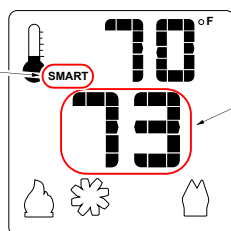
- MANUAL ON/OFF** – The burner will turn on and off using the remote (see below). Press the On/Off button to control the burner. When off, the display will only show the current temperature.

When in manual setting, the word "OFF" will appear here.

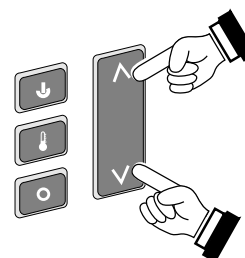


- SMART THERMOSTAT** – While in smart thermostat, the transmitter will control the burner to achieve the target temperature (see below). Flame height will be adjusted up or down to allow operation without turning the burner on and off (also called “smart modulation”). To adjust the target temperature, press the UP and DOWN buttons until a suitable temperature is achieved.

When in smart thermostat setting, the word "SMART" will appear here.

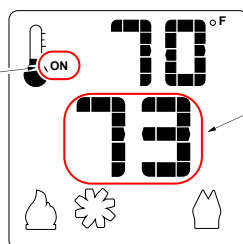


This is the target temperature on the read-out. Use the up or down buttons to adjust the target temperature.

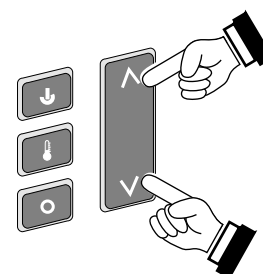


- STANDARD THERMOSTAT** - While in standard thermostat setting, the transmitter will turn the burner on and off to achieve the target temperature (see below). To adjust the target temperature, press the up and down buttons until a suitable temperature is achieved.

When in standard thermostat setting, the word "ON" will appear here.



This is the target temperature on the read-out. Use the up or down buttons to adjust the target temperature.

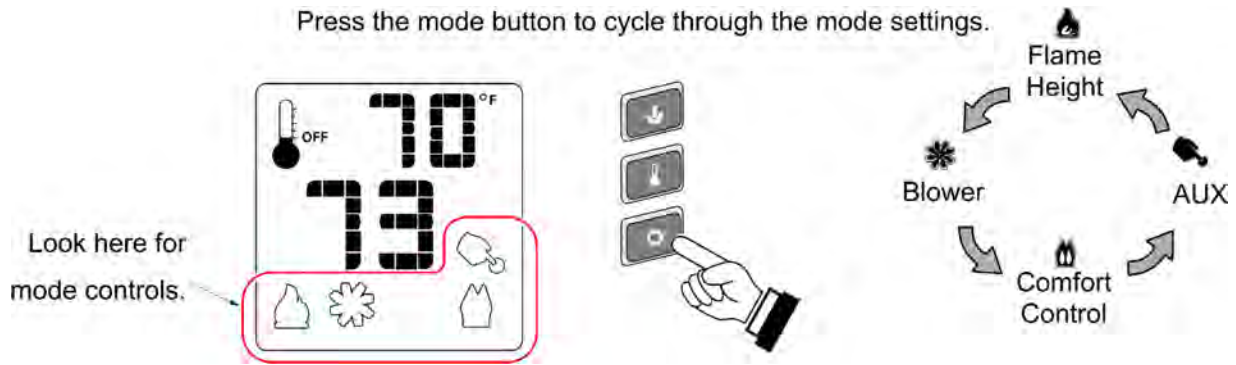


**NOTE:** If the transmitter batteries go dead while in thermostat mode (standard or smart), the appliance will shut off after approximately 24 hours.

**Mode Controls**

Use the mode button to cycle through the five mode controls (see below).

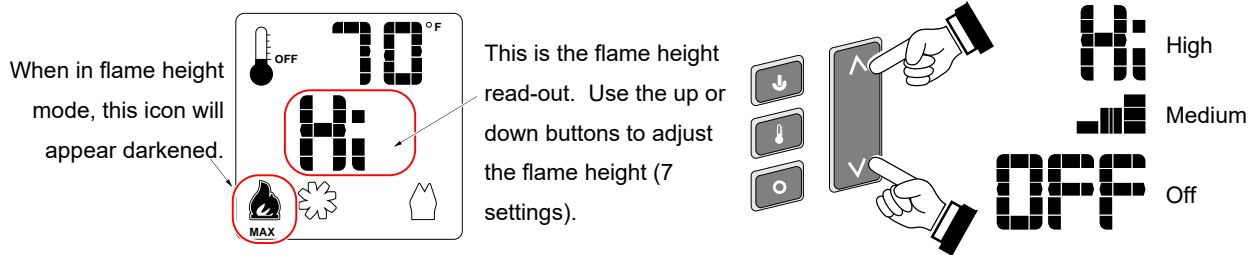
Press the mode button to cycle through the mode settings.



**Flame Height**

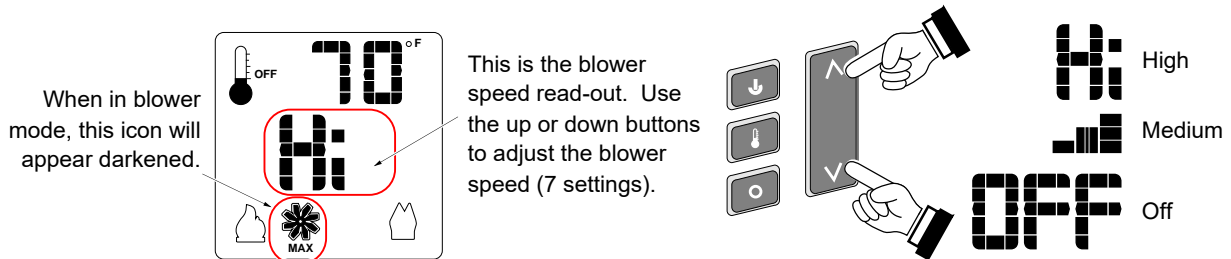
Flame height may be controlled using the UP and DOWN buttons when in Flame Height Mode (see below). The center display will display the 7 settings, from “OFF” to “HI” for full on.

**NOTE:** Flame height may not be adjusted if operating in the Smart Thermostat setting.



**Blower Speed**

The blower may be controlled using the up and down buttons when in Blower Speed Mode (see below). The center display will display the 7 settings, from “OFF” to “HI” for full on.



**MANUAL MODE – BLOWER OPERATION**



When in Manual Mode the blower will remain on, even if the burner is turned off and the heater cools.

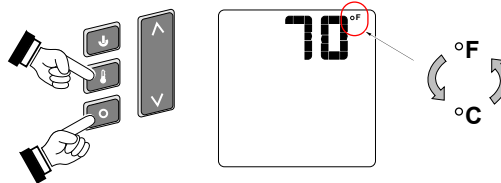
Either manually turn the blower off, or turn off the heater by pressing the On/Off button.



## Mode Controls - continued

### Display Fahrenheit or Celsius

- With the system in the “OFF” position, press both the MODE and THERMOSTAT buttons simultaneously to toggle between Fahrenheit (F) and Celsius (C).

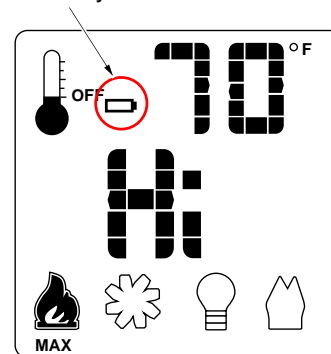


### Low Battery Indicator

#### Transmitter Batteries

The transmitter has a battery-level indicator. When it indicates low battery voltage (see below), install three new AAA alkaline batteries into the transmitter (see “Transmitter Battery Installation” on page 16).

Low Battery Indicator

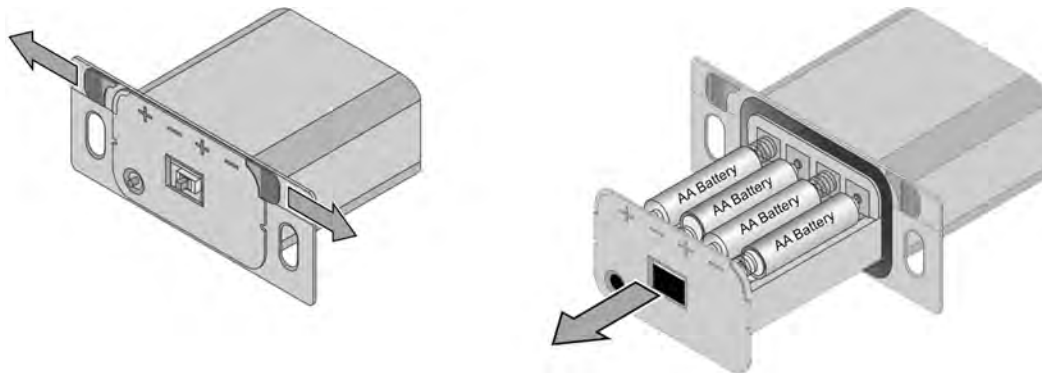


#### IFC Batteries

The IFC (Integrated Fireplace Control) will “beep” twice when a transmitter button is pressed when the batteries are low. Install four new AA alkaline batteries into the battery box when this occurs (see “Opening the Battery Box

There are (2) locking tabs in the upper corners of face of the battery box. Slide the tabs to the side and the battery tray will pop outward enough to allow you to grab it. Pull the battery tray forward and remove it from the battery box.

NOTE: When re-installing the battery tray, make sure to secure the battery tray into battery box using the locking tabs to ensure a good electrical connection.



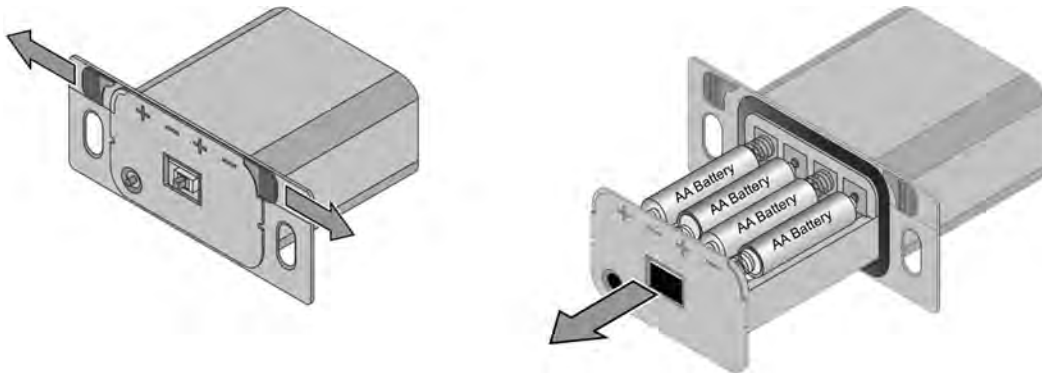
Battery Installation” on page 16). In applications where the appliance is required to provide heat, we recommend replacing the batteries before each heating season.

## Battery Replacement

### Opening the Battery Box

There are (2) locking tabs in the upper corners of face of the battery box. Slide the tabs to the side and the battery tray will pop outward enough to allow you to grab it. Pull the battery tray forward and remove it from the battery box.

**NOTE:** When re-installing the battery tray, make sure to secure the battery tray into battery box using the locking tabs to ensure a good electrical connection.

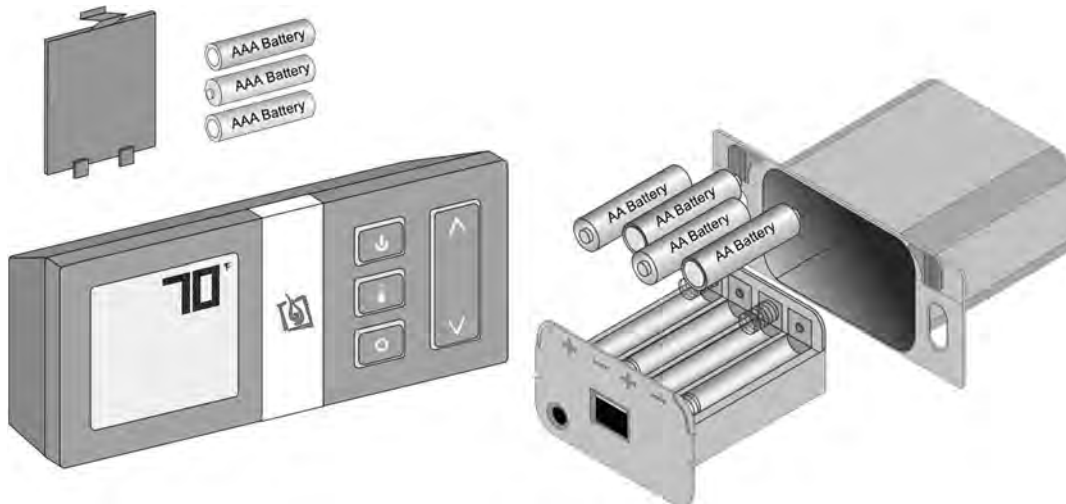


### Battery Installation

Install (4) AA batteries into the battery holder (see below). These batteries act as a power backup in case the household (AC) current goes out.

### Transmitter Battery Installation

Install the three included AAA batteries into the remote.



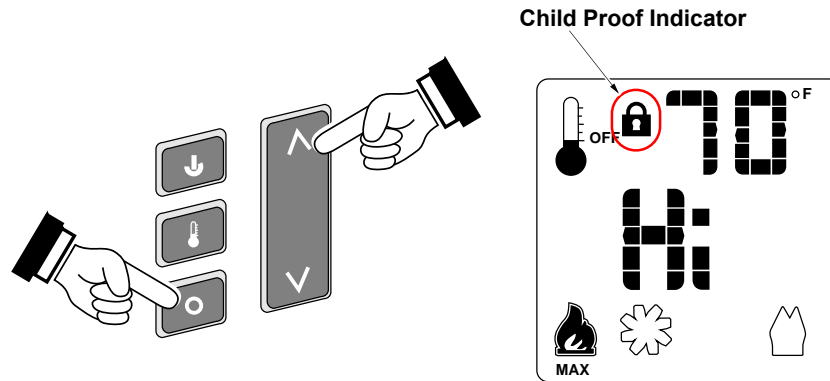


## Child-Proof Feature

The child proof feature disables the control buttons, preventing unwanted use of the remote.

- Press both the MODE and UP buttons simultaneously to turn this feature on and off (see below).

**HINT:** This feature is especially useful while using the thermostat setting.



## Normal Operating Odors

This appliance has several areas that reach high temperatures. Dust or other particles in these areas may burn and create an odor. This is normal during start-up. You may notice the smell is more acute if the appliance was left idle for a long period.

## Power Outages

Four AA batteries are used as a power backup for the fireplace in case the household (AC) power goes out. These batteries must be inserted into the battery holder (or remove the receiver if using the optional GS thermostatic remote). The fireplace controller will beep once these batteries start to go dead. Replace batteries before each heating season to ensure proper operation.

The light and blower will not operate.

**Glass Frame Removal and Installation**



A barrier designed to reduce the risk of burns from the hot viewing glass is provided with this appliance and shall be installed for the protection of children and other at-risk individuals.



If the barrier becomes damaged, the barrier shall be replaced with the manufacturer's barrier for this appliance.



**The appliance must be completely cool before removing the glass.**



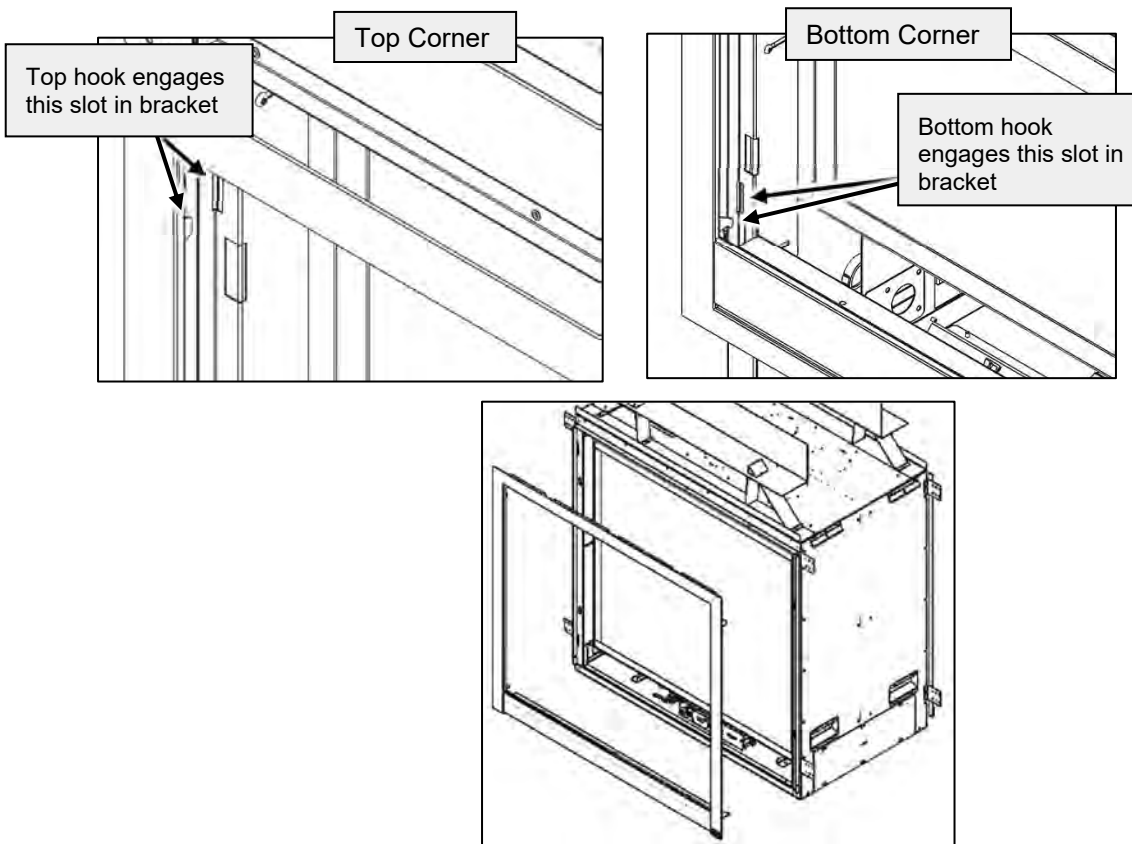
**Do not strike or slam the glass.**



**WARNING: Do not operate the appliance with the glass front removed, cracked, or broken. Replacement of the glass should be done by a licensed or qualified service person.**

1. Remove the screen-trim assembly by lifting the assembly slightly and tilting it toward you. The mounting hooks on the back of the assembly will disengage the fireplace. Set the assembly aside for reinstallation.

**NOTE:** Opening the access door on the front of the assembly allows for an easy location to get a secure grip on the assembly for removal

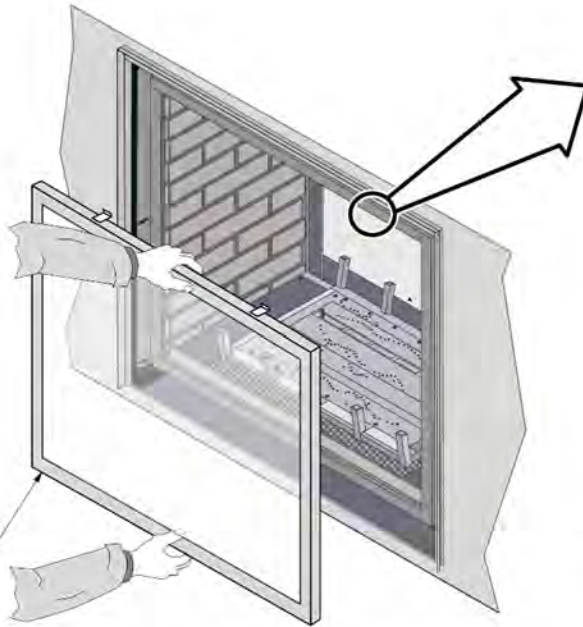
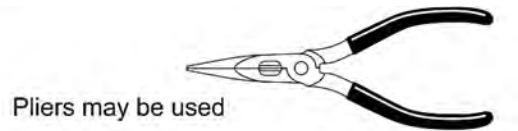


Replacement Barrier Part #	
36 CF ProBuilder	250-04839

**Remove the glass frame following the directions below.**

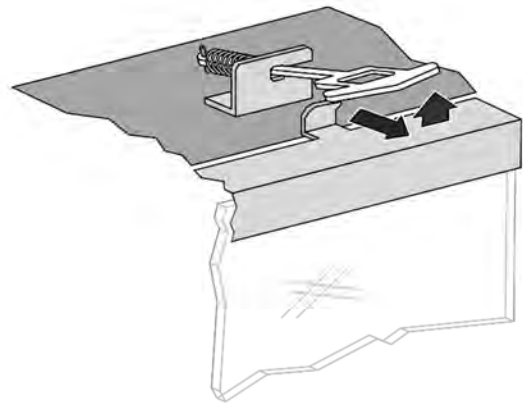
2. Remove the glass frame following the directions below.

- a** Open the latches holding the glass frame in place (start with the bottom) - follow the directions shown to the right.



- b** Lift the glass frame up and pull it forward to remove.

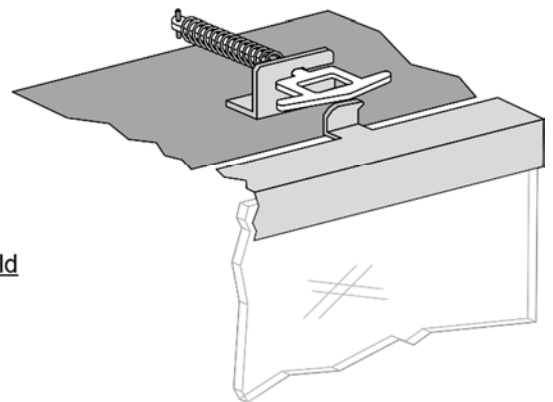
**NOTE:**  
You may need to lift the glass frame while re-attaching.



**Re-Attaching the Glass Frame:**

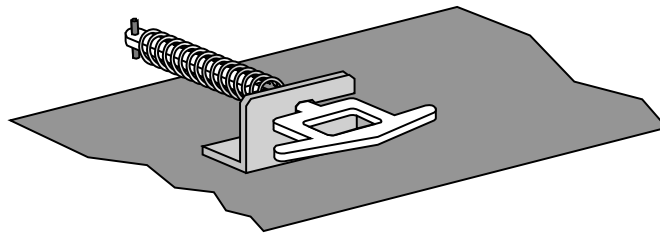
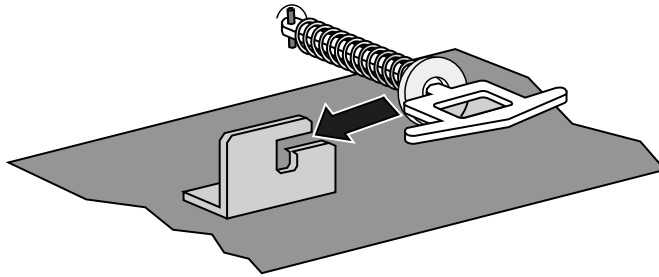
- a) Hang the glass frame on the firebox.
- b) While holding in place, attach the upper latches (follow the instructions to the right in reverse).
- c) Lift the glass frame slightly and attach the lower latches.

**NOTE:** Make sure the glass frame is all the way in place - it should be parallel with the front of the fireplace when installed.



Replacement Glass Frame Part #	
36 CF ProBuilder	250-04837

The latch can come loose from the glass frame anchor. This occurs when it is turned 1/4 turn when it is disengaged. Follow the directions below to re-install the latch if it becomes loose.



## **Log Set Installation**

---

### **Part Numbers / Compatibility**

- Classic Oak - sku# 94500642

### **Installation Warnings**

**NOTE:** Consult the installation manual for order of installation. If using propane (LP), convert the appliance before installing the log set. If using firebacks, install them prior to installing the log set.

- The logs are fragile, especially after being exposed to heat.
- Make sure the gas control valve is OFF and the heater is cool prior to conducting service.
- Failure to position the parts in accordance with these diagrams or failure to use only parts specifically approved with this appliance may result in property damage or personal injury.
- The burner must be correctly positioned before installing the log set. Make sure the burner is fully seated and the pilot is properly aligned. See owner's manual for details on burner removal.

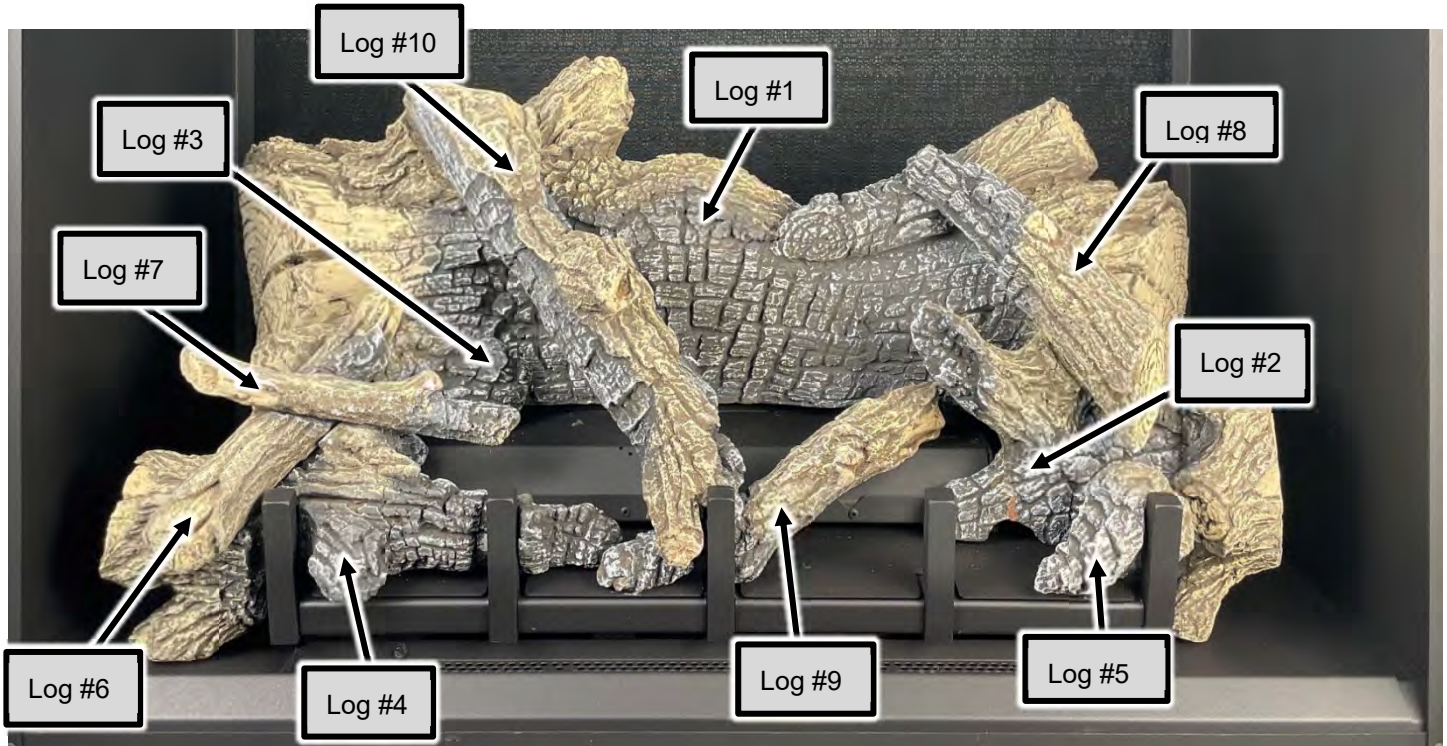
### **Installation**

There are **(2) of every log** with the exception of the #1 log. The pictures and instructions are shown from the "service side", which is the side that the valve and controls face. The logs on the "non-service side" install in exactly the same way as on the service side. The only difference is the appearance of log #1.

**Log Set Overview – Classic Oak 94500642**

When installed, the ten (10) logs should appear as shown below.

**Service Side View**



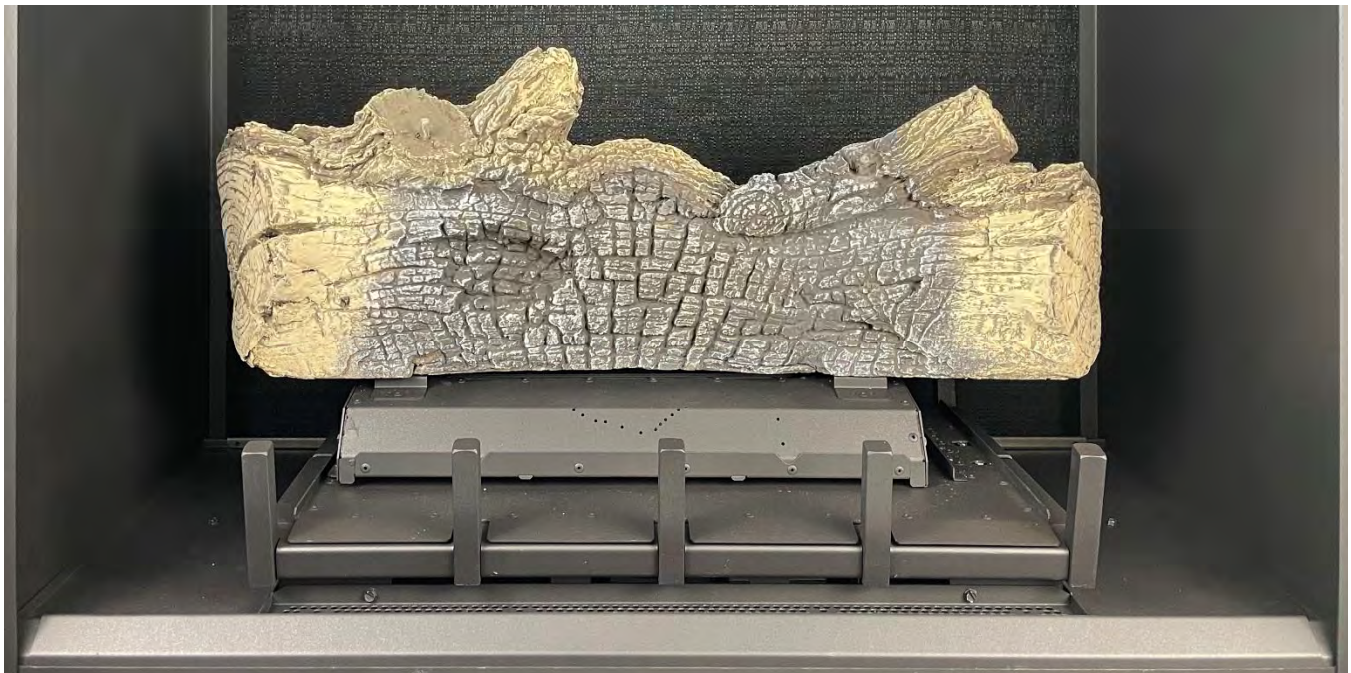
**Non-Service Side View**



## Installation

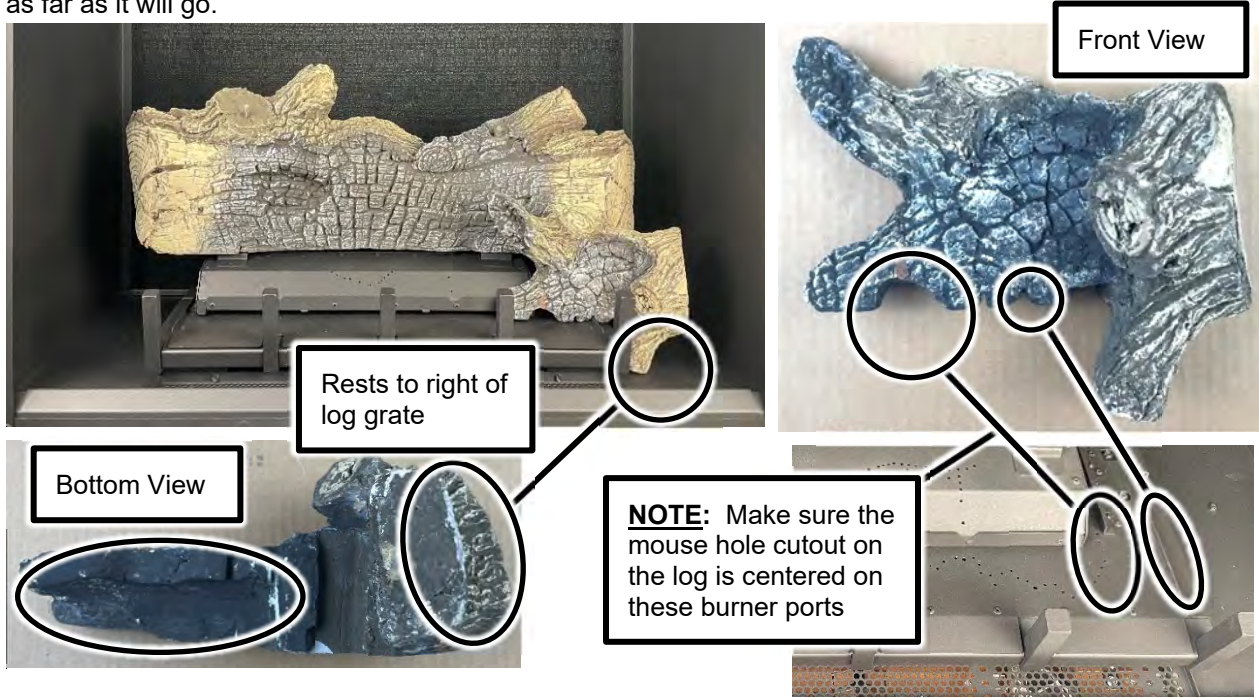
### Log #1

Install Log #1 as shown below. Log #1 has holes on the bottom that rest over two pins in the middle of the burner (see photos below). This log is directional, and this side shown in the left-top picture below must be facing the service side (side with the controls) of the fireplace.



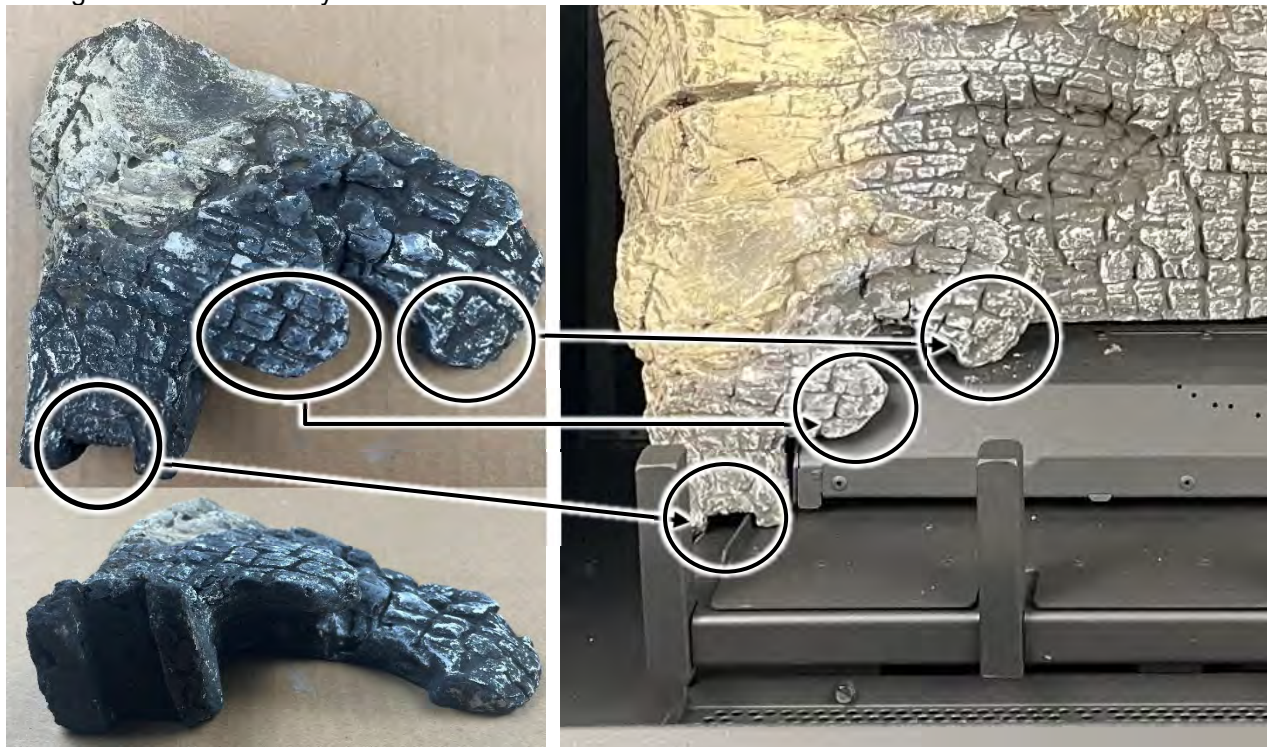
**Log #2**

Log #2 has a flat surface on the bottom right branch of the log. The flat surface rests on the firebox floor to the right of the log grate. The left rear of log #2 has a cut-out that rests against the sloped section of the center burner. There are also 2 thin straight grooves in the bottom middle of the log. The right groove rests on the lip of the outer burner. With the log in place, move it back against the center burner as far as it will go.



**Log #3**

Log #3 has a channel on the bottom that fits over the left bar of the log grate. On the right end of the log, the bottom tip rests on top of the center burner. The center nub circled on the picture rests against the sloped front of the center burner. With the log in place, push it back as far as it will go. Make sure that the logs do not obstruct any burner holes.





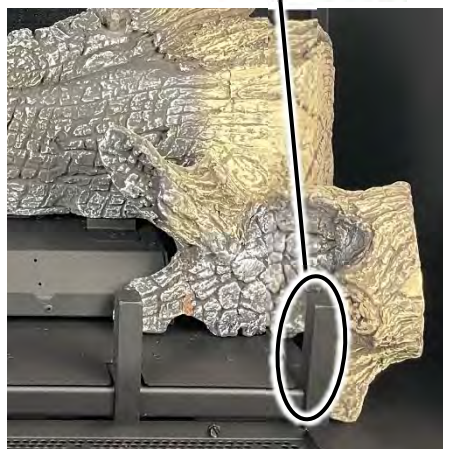
## **Log # 4**

Install log #4 as shown below. The cut branch on the bottom left of Log #4 rests on the media tray to the left of the log grate. There are notches on the front of the log that fit around the two left log grate fingers. With the log in place, pull it forward as far as it will go and check to make sure the log does not obstruct any burner holes.



## **Log # 5**

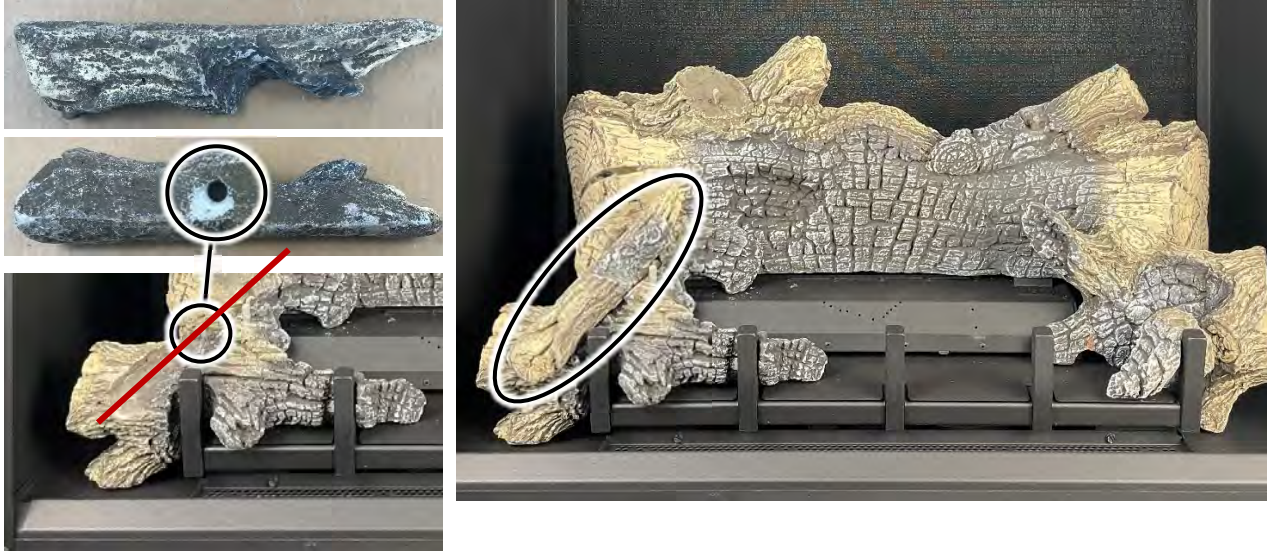
Install log #5 as shown below. The pointed, charred end will be on the left and points toward the center front of the firebox. There is a groove in the front of the log that rests against the rightmost log grate finger.



**Log # 6**

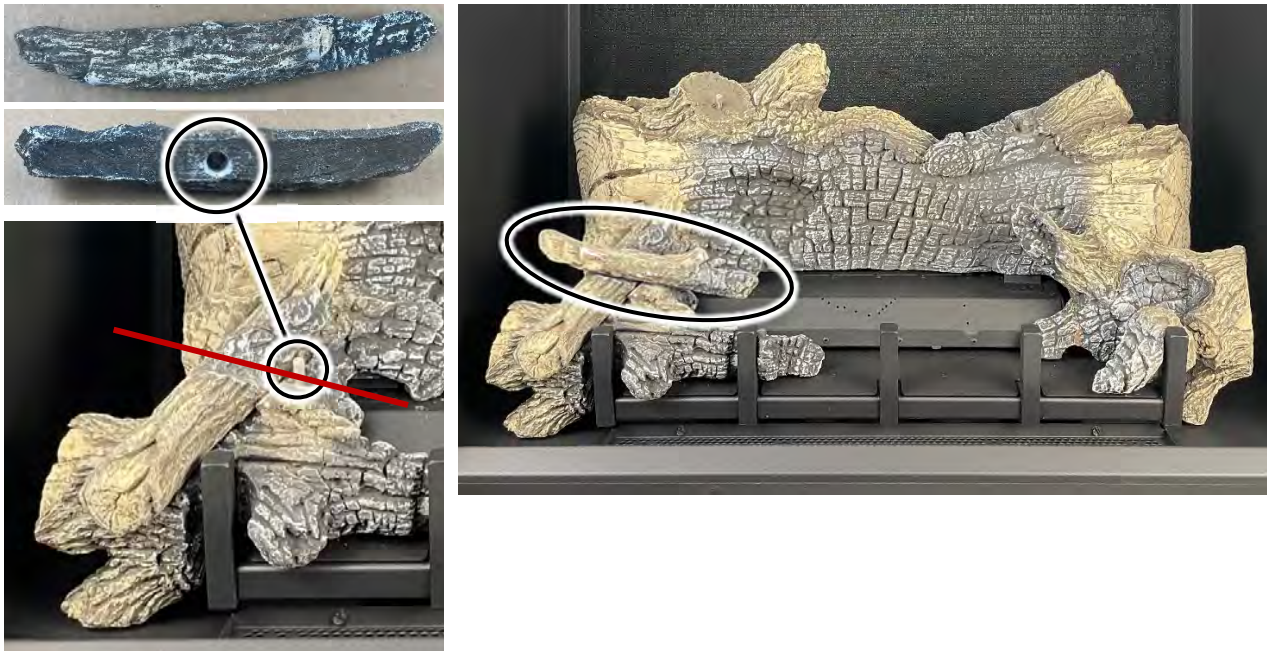
Install log #6 as shown below. The hole in the bottom of log #6 rests on the left log locating pin and sits in the diagonal groove on the top of log #4. The wider end of log #6 should be on the left and the sharper, charred end points up and right.

**NOTE:** The red line in the lower left picture represents the direction the log should be resting.

**Log # 7**

Install log # 7 as shown below. The hole in the bottom of log #7 rests on the remaining log locating pin on the top of log #4 and fits into a diagonal groove in log #6, locking logs #5,#6, and #7 together. The charred end of log #7 should be on the right.

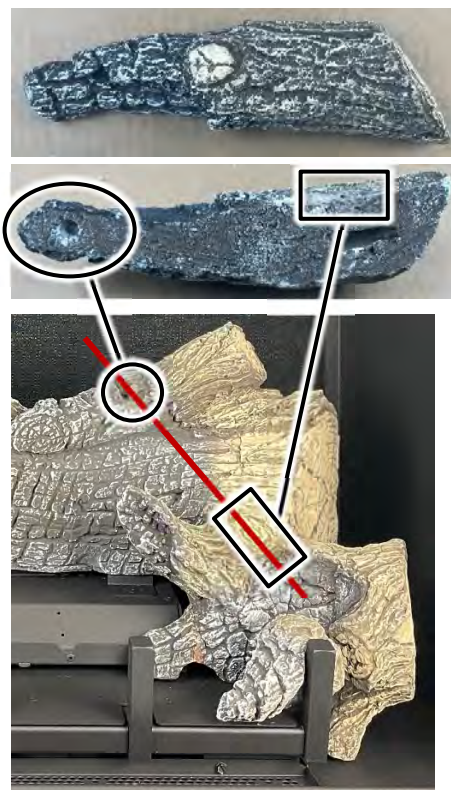
**NOTE:** The red line in the lower left picture represents the direction the log should be resting.



## Log # 8

Install log #8 as shown below. The hole on the bottom of the narrow charred end of log #8 rests on the log locating pin on the right end of log #1. The wider end of log #8 rests on log #2 as shown below.

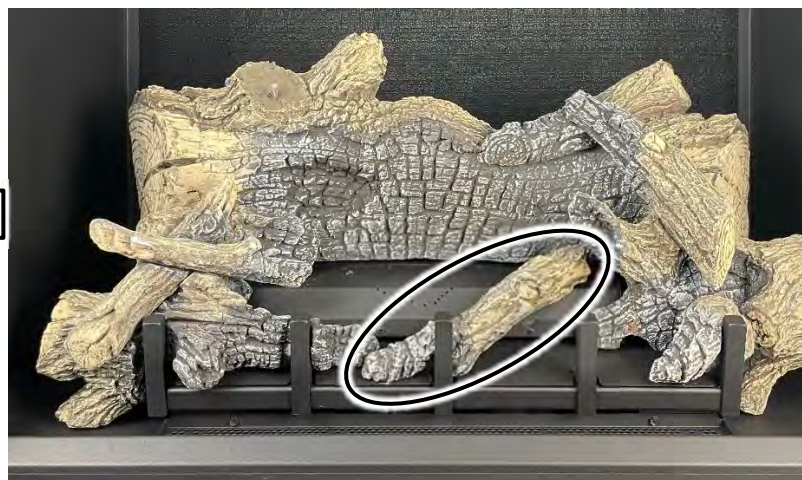
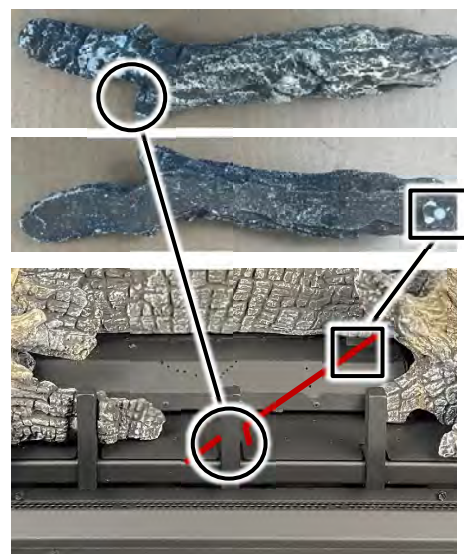
**NOTE:** The red line in the lower left picture represents the direction the log should be resting.



## Log # 9

Install log #9 as shown below. There is one pin on the bottom of log #9. The pin rests on the top surface of the center burner. The other end of the log rests on the outer burner. The crook of the log fits around the center log grate finger. Make sure the log does not obstruct any burner holes.

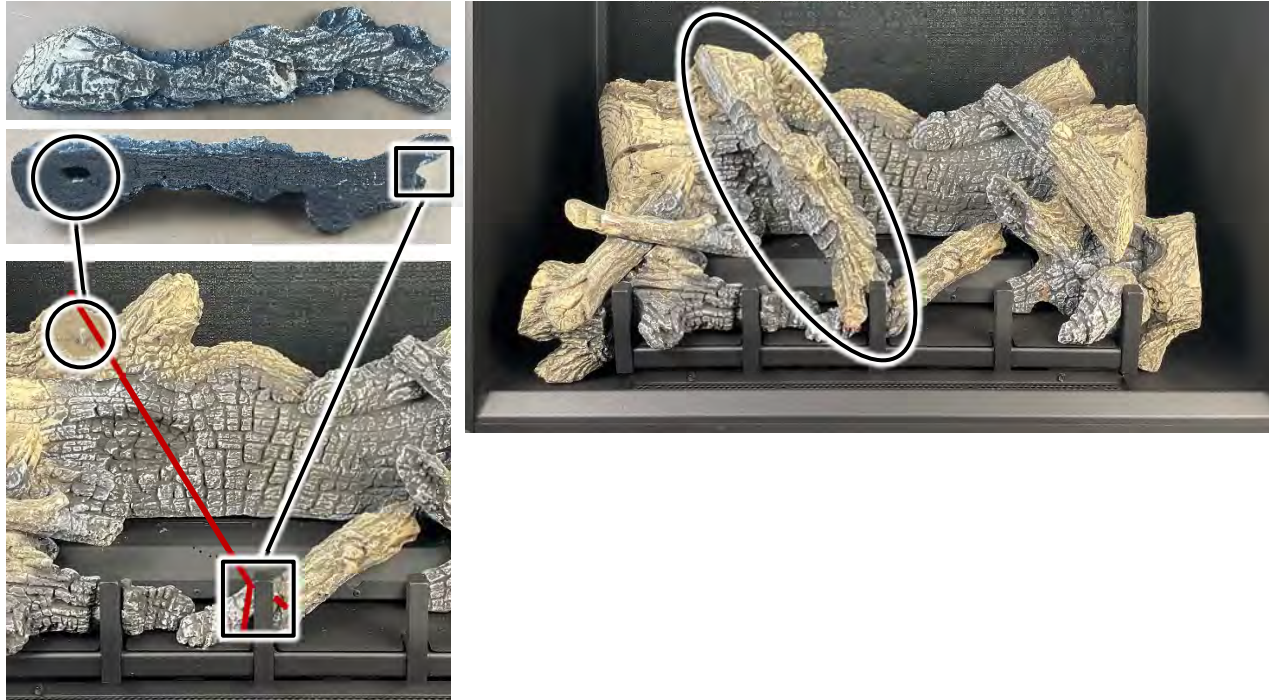
**NOTE:** The red line in the lower left picture represents the direction the log should be resting.



**Log # 10**

Install log #10 as shown below. The hole on the bottom of log #10 rests over the pin on the left end of log #1. The right end of the log rests on top of log #9 and the crook of the log fits around the center log grate finger.

**NOTE:** The red line in the lower left picture represents the direction the log should be resting.


**Rock Wool Placement**

**NOTE:** The rock wool is included with the fireplace.

Detail the burner with Rock Wool. The included rock wool is placed on top of the burner to enhance the glow from the burner. **The rockwool can be applied in a relatively thick layer.** The best method for applying the rock wool is to brush it on to the burner. Compress a clump of rockwool between your thumb and forefinger. Use a stiff brush to apply rockwool fibers onto the burner. Do not use the entire bag of rockwool. Use only a small amount and save the remainder. Over-use of rockwool will diminish the glow and may cause sooting or other adverse conditions.



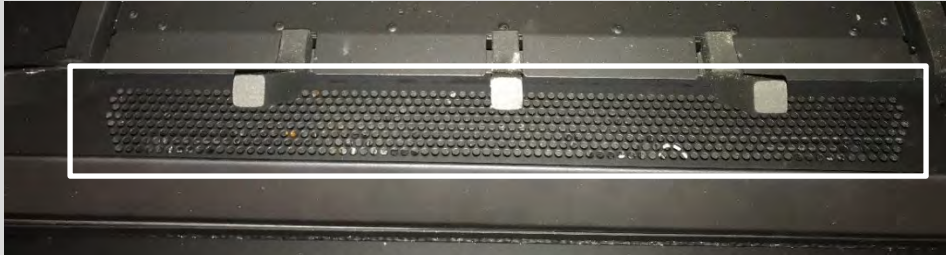
(94500642) Oak - Log Replacement Part Numbers

Log #	Qty.	Part #	Image	Log #	Qty.	Part #	Image
Log #1	1	250-06026		Log #6	2	250-06031	
Log #2	2	250-06027		Log #7	2	250-06032	
Log #3	2	250-06028		Log #8	2	250-06033	
Log #4	2	250-06029		Log #9	2	250-06034	
Log #5	2	250-06030		Log #10	2	250-06035	

### ***Ember bed Glass and Ember Material Installation***

#### **Ember bed Glass Installation**

- Make sure the ember skirt is in place. The skirt hooks over the front of the ember platform and slopes outward toward the glass. The skirt helps keep the glass and ember material from falling off the platform when the glass is removed.
- Locate the perforations in front of the log grate.



- Place a thick layer of the ember glass over the perforations making sure to cover all of the holes completely.



- Lightly dress the ember glass with the black touch-up paint (we recommend Stove Bright). Check the appearance with the lights on and add additional paint, as needed, for a realistic glowing ember appearance.

**NOTE:** If power is supplied to the fireplace it can help to turn the lights on while painting so you can determine an appropriate amount of paint for a realistic ember appearance.

**NOTE:** We recommend that you use a piece of paper, cardboard as a shield to mask the log grate and burner from overspray (see below).



### Ember Material Installation

- Once the ember glass installation is complete, place a generous amount of ember material on the firebox floor on either side of the firebox. Completely cover any visible metal on the firebox floor.

**NOTE:** Make sure no ember material is placed directly on the burner.

**HINT:** Add a few randomly placed ember chunks over the ember bed glass to produce a more realistic appearance.



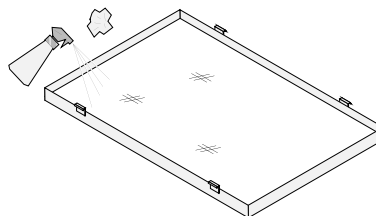
### Maintaining Your Heater's Appearance



**The appliance must be completely cool prior to conducting service.**

#### Cleaning The Glass

The glass may be cleaned with a non-abrasive cleaner. To clean the inside of the glass, simply remove the glass frame, place it on a non-scratching surface, and clean the surface.



#### Cleaning the Fireplace

Use a duster to remove dust from the visible portions of the fireplace. Contact your dealer if you wish to re-paint any surfaces. Heat-resistant stove paint (with instructions) is available from your dealer.

## Bulb Replacement



**The appliance must be completely cool prior to conducting service.**

35 Watt 120 Volt T4 Halogen Bulb (GY6.35 Base)

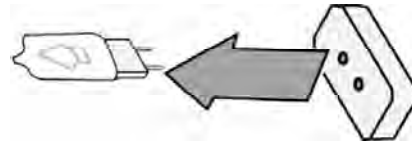
The accent lights in your fireplace provides additional lighting. The bulbs will burn out over time. Replace the halogen bulbs with the following bulbs:

To replace, follow the directions below:

- Shut off gas to the fireplace and let it cool for 15 minutes.
- Remove the barrier screen and glass assembly (see page 18).
- Remove the media tray skirt.

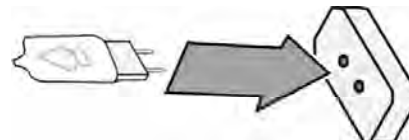


- Locate the burned out bulb and remove it from the socket by pulling the bulb directly away from socket (do not twist).



- Gently insert the pins on the replacement bulb into the holes on the socket.

**NOTE:** Take care to not touch the replacement bulbs with your fingers – use foam packing or paper towel to hold the bulb



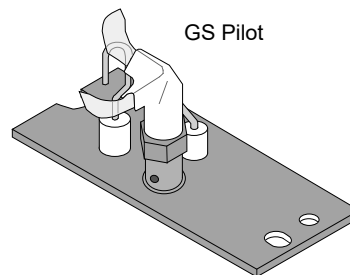
- Return the fireplace to its correct configuration.



## Yearly Service Procedure

**WARNING:** Failure to inspect and maintain the stove may lead to improper combustion and a potentially dangerous situation. We recommend the following procedures be done by a qualified technician.

- Shut off the gas to the fireplace and let it cool for 15 minutes. Remove the glass. Inspect and operate the pressure relief mechanism to verify relief mechanisms are free from obstruction to operate.
- Clean glass window with a suitable fireplace glass cleaner. Abrasive cleaners must not be used. Be careful not to scratch the glass when cleaning.
- Vacuum and clean any debris in the firebox.
- Check all accessible gas-carrying tubes, connections, pipes, and other components for leaks.
- Inspect the burner and firebox. Make sure the burner is not warped, cracked, or damaged. Check the firebox and area around the pilot to make sure there is no damage. Inspect primary air openings for blockage. If any problem is found, discontinue use and contact your dealer for service.
- Inspect the area behind the access door; clean if necessary. Check the gas control valve and the gas lines. If damage is found, discontinue use and contact your dealer for service. Clean the air channels, ducts, and blower (if applicable)
- Inspect vent and vent termination for sooting, obstructions, or damage. Make repairs as needed. Remove any debris or vegetation near the vent termination. Contact your dealer if any sooting or deterioration is found near the vent termination.
- Reinstall the glass assembly. If the glass is damaged, replace it. Make sure the gasket along the perimeter of the glass contacts the face of the firebox and forms an air-tight seal. If it does not, re-align or replace the gasket to ensure an air-tight seal.
- Turn the pilot flame on (continuous pilot). It should touch approximately 3/8" of the top of the flame sensor (see below). If it does not, contact your dealer.



- Start the main burner. Inspect and ensure the lighting of the main burner occurs within 4 seconds of the main gas valve opening.
- Test the flame failure response time of the flame safety system. It must de-energize the safety shutoff in no more than 30 seconds.
- After 15 minutes the flames should be orange/yellow and not touch the top of the firebox. If the pilot or main burners do not burn correctly, contact your dealer for service. Monitor blower operation

**Troubleshooting Table**

<b>Problem:</b>	<b>Possible Cause:</b>	<b>Don't Call for Service Until You:</b>
<b>Pilot Will Not Light</b>	A gas shut off valve is turned off..... The gas control knob isn't turned to "PILOT"..... The valve control knob isn't pushed in..... The igniter wasn't pressed repeatedly..... No Propane in Tank.....	Check all gas shut off valves See "Starting the Pilot Light" Step C See "Starting the Pilot Light" Step C See "Starting the Pilot Light" Step C Check Tank Level
<b>Main Burners Will Not Start</b>	The pilot light has gone out..... The gas control valve is turned to "PILOT" or "OFF" The ON/OFF switch is turned to "OFF"..... The remote control is not working correctly..... The thermostat is disconnected or set too low.....	See "Starting the Pilot Light" See "Starting the Pilot Light" Turn the ON/OFF switch to "ON" See the remote control instructions See "Thermostat Operation"
<b>Remote Control Does Not Work</b>	The pilot light has gone out..... The gas control valve is turned to "PILOT" or "OFF" The ON/OFF switch is turned to "OFF"..... The remote is too far away from the heater..... The remote control receiver is turned "Off"..... Remote or receiver batteries are dead.....	See "Starting the Pilot Light" See "Starting the Pilot Light" Turn the ON/OFF switch to "ON" Use the remote closer to the heater See the remote control instructions See the remote control instructions
<b>Heater Will Not Distribute Heat</b>	The heater is not up to temperature.....	This is normal – allow 5 to 20 minutes for heater to reach operating temperature.
<b>Blower Does Not Turn On</b>	The heater is not up to temperature..... The heater is not getting electricity..... The blower is set to off.....	The blower will turn on once the heater is up to temperature (5 to 20 minutes). Check the breaker switch. Check the blower knob.
<b>Pilot Goes Out Intermittently</b>	The gas supply has been shut off.....	Keep the gas supply turned on
<b>Flames Are Too Blue</b>	The heater has just been started..... Improper air shutter adjustment.....	This is normal - see "Starting the Heater for the First Time" Adjust Air Shutter - contact your dealer
<b>Flames Are Too Short (Under 6")</b>	The flame height may be turned too low.....	Turn the flame height to "HI" - See "Adjusting the Flame Height"
<b>Thin Layer of Soot Covers the Glass</b>	The logs or coals are placed incorrectly..... Improper air shutter adjustment.....	See "Log Set Installation" Adjust Air Shutter - contact your dealer

### ***Replacement Parts List***

---

**CAUTION:** Use only Travis Industries replacement parts. Do not use substitute materials.

**WARNING:** Do not operate the appliance with the glass front removed, cracked, or broken. Replacement of the glass should be done by a licensed or qualified service person.

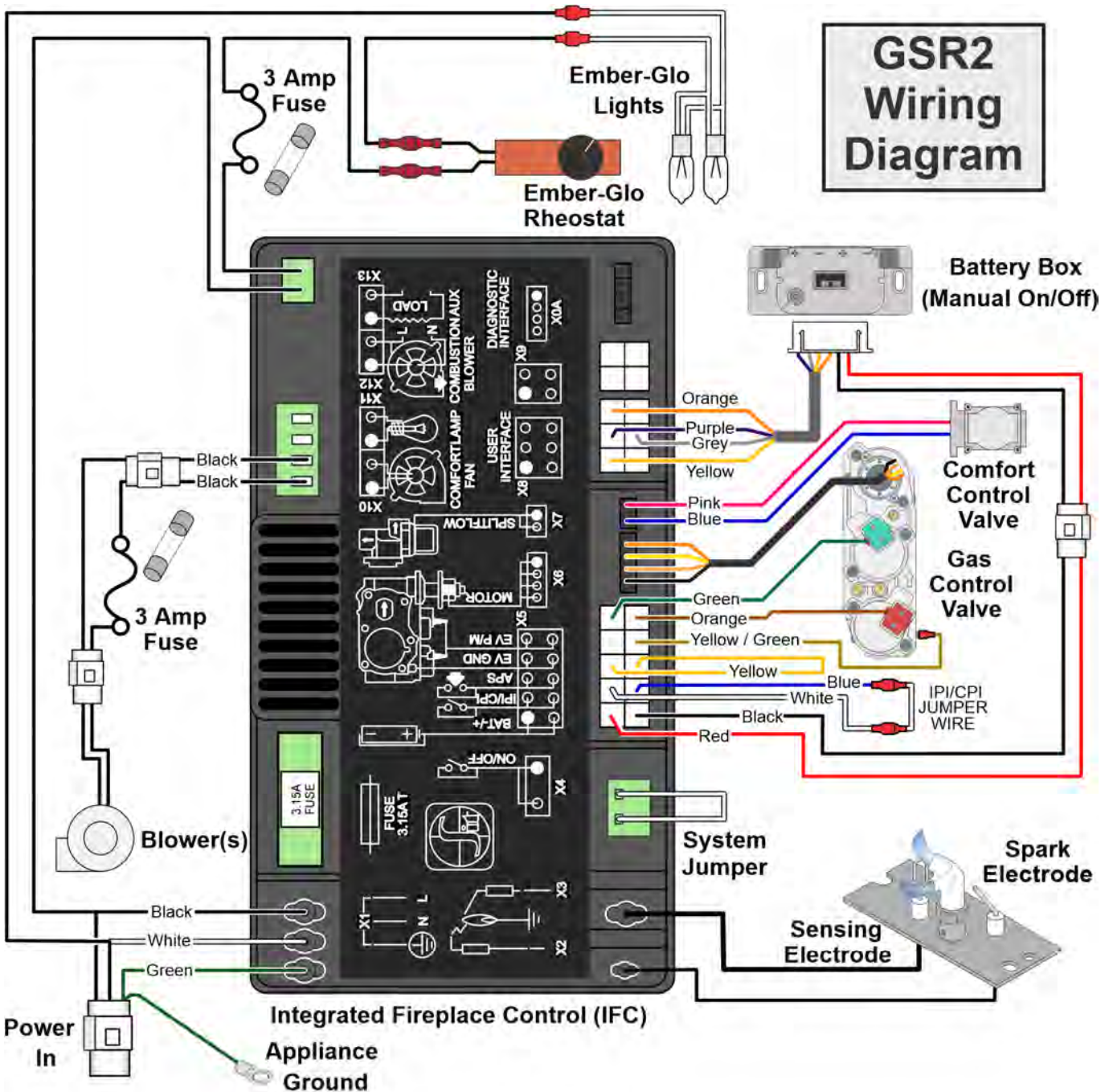
#### **PB 36CF ST Part Numbers**

GLASS w/FRAME	250-04837
SCREEN BARRIER, FRONT	250-04839
PILOT ASS'Y, 2-WAY PSE	250-04480
VALVE, NG w/STPR MTR	250-01463
STEPPER MOTOR, LP GS	250-01427

Contact your local Travis Industries Dealer to purchase replacement parts

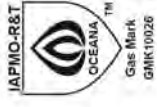

Wiring Diagram

**CAUTION:** Label all wires prior to disconnection when servicing controls. Wiring errors can cause improper and dangerous operation.



## Safety Label

The safety (listing) label is attached to the operating tag (chained to the heater near the gas control valve). A copy is shown below

**ProBuilder 36 CF ST GSR2**  
Decorative Gas Fireplace

Tested to the combustion performance and construction requirements of AS/NZS 5263.1.8 Decorative Effect Gas Appliances. This appliance must be installed in accordance with all local codes.

This appliance may be installed in an aftermarket, permanently located, manufactured (mobile) home where not prohibited by local codes.

This decorative gas fireplace is not for use with air filters. This appliance must be properly connected to a venting system in accordance with the manufacturer's installation instructions. Use only approved B-vent systems to vent this appliance to the exterior. See owner's manual for approved brands of venting.

**WARNING:** Improper installation, adjustment, alteration, service or maintenance can cause injury or property damage. Refer to the owner's information manual provided with this appliance. For assistance or additional information consult a qualified installer, service agency or the gas supplier.

**PRIMARYLY A DECORATIVE AND NOT A HEATING APPLIANCE. SUITABLE ONLY FOR INDOOR INSTALLATION.**

**NOT FOR USE WITH SOLID FUEL.**

Young children should be carefully supervised at all times when they are in the same room as the appliance.

---

**Minimum Clearances to Combustibles**

Fireplace to Adjacent Wall	0mm	Base of Fireplace to Enclosure Top	1572mm
Wood Floor Beneath Fireplace	0mm	Sides to Enclosure	13mm
		Base of Fireplace to a Mantel	See Owner's Manual

Electrical Rating: 240V, 2.0 Amps, 50 Hz., 300 Watts

**DANGER!** Risk of Electric Shock. Disconnect power before servicing unit.

<b>PROP.</b>	<b>N.G.</b>	<b>PROP.</b>	<b>N.G.</b>
Input Rate on "H" (MJ/h)	40.91	40.84	
Outer Orifice (DMS)	1.25mm	#45	
Center Orifice (DMS)	1.25mm	#46	
		Minimum Inlet Pressure (kPa)	2.74
		Maximum Inlet Pressure (kPa)	3.24
		Manifold Pressure on "H" (kPa)	2.82
			0.94

This appliance is equipped for installation 0-610 m. For altitudes above 600m, the vent configuration, orifice, or combination of both may need to be changed. See owner's manual for information on making these changes.


---

**MANUFACTURE DATE:**

<input type="checkbox"/> 2023	<input type="checkbox"/> Jan.	<input type="checkbox"/> Apr.	<input type="checkbox"/> Jul.	<input type="checkbox"/> Oct.
<input type="checkbox"/> 2024	<input type="checkbox"/> Feb.	<input type="checkbox"/> May	<input type="checkbox"/> Aug.	<input type="checkbox"/> Nov.
<input type="checkbox"/> 2025	<input type="checkbox"/> Mar.	<input type="checkbox"/> Jun.	<input type="checkbox"/> Sep.	<input type="checkbox"/> Dec.

[www.opi.com.au](http://www.opi.com.au)

**Manufactured by:**



**TRAVIS INDUSTRIES**  
**HOUSE OF FIRE**  
12521 Harbour Reach Drive  
Mullineo, WA 98275

**Certificate Holder:**

**Dragon Wholesaling Pty. Ltd.**  
Unit 4, 16 Lexington Drive  
Bella Vista, NSW 2153  
Australia

Register your **Dragon Wholesaling** Limited 7 Year Warranty online at [lopi.com.au](http://lopi.com.au) or complete the enclosed Warranty card and mail it within **ten (10)** days of the appliance purchase date to: Dragon Wholesaling Pty. Ltd. Unit 4, 16 Lexington Drive Bella Vista NSW 2153 Australia. **Dragon Wholesaling** warrants this gas appliance (appliance is defined as the equipment manufactured by Travis Industries, Inc.) to be defect-free in material and workmanship to the original purchaser from the date of purchase as follows:

Check with your dealer in advance for any costs to you when arranging a warranty call.  
Mileage or service charges are not covered by this warranty. This charge can vary from store to store.

Component	Years 1 & 2 Parts & Labor	Years 3 Through 5 Parts & Labor	Years 6 & 7 Parts Only
<b>Burner Assembly</b> Burner Pan Assembly, Air Shutter Assembly, Main Burner Orifice	✓		
<b>Electrical Assembly (within heater structure):</b> Wiring harness, snap discs, rheostat speed control	✓		
<b>Gas Control Assembly</b> Adjustable control valve, fireplace controller, pilot assembly, and pilot wiring	✓		
<b>Glass</b> Glass (breakage from thermal shock)	✓		
<b>Gold, Nickel &amp; Copper Plating</b> Face & Door (see "Conditions and Exclusions" # 9)	✓		
<b>Accessories</b> Firebacks, Power Heat Ducts, Andirons, etc...	✓		
<b>One-Way Freight Allowance</b> One-way freight allowance on pre-authorized repair done at the factory is covered.	✓	✓	
<b>Convection Heat Exchanger</b> Convection heat exchanger assembly	✓	✓	
<b>Firebox Assembly</b> Adjustable Air Restrictor, Pressure Relief Mechanisms, Glass Attachment Mechanism	✓	✓	✓

### EXCLUDED COMPONENTS:

Paint, Gasketing, and Accent Light Bulbs

## CONDITIONS & EXCLUSIONS

- This new gas appliance must be installed by a qualified gas appliance technician. It must be installed, operated, and maintained at all times in accordance with the instructions in the Owner's Manual. Any alteration, willful abuse, accident, neglect, or misuse of the product shall nullify this warranty.
- This warranty is nontransferable, and is made to the ORIGINAL purchaser, provided that the purchase was made through an authorized DRAGON WHOLESALING dealer.
- Discoloration and some minor expansion, contraction, or movement of certain parts and resulting noise, is normal and not a defect and, therefore, not covered under warranty. The installer must ensure the appliance is burning as per the rating tag at the time of installation. Over-firing (operation above the listed BTU rate) of this appliance can cause serious damage and will nullify this warranty.
- The warranty, as outlined within this document, does not apply to the chimney components or other Non-Travis accessories used in conjunction with the installation of this product. If in doubt as to the extent of this warranty, contact your authorized DRAGON WHOLESALING retailer before installation.
- Dragon Wholesaling will not be responsible for inadequate performance caused by environmental conditions such as nearby trees, buildings, roof tops, wind, hills or mountains or negative pressure or other influences from mechanical systems such as furnaces, fans, clothes dryers, etc.
- This Warranty is void if:
  - The unit has been operated in atmospheres contaminated by chlorine, fluorine or other damaging chemicals.
  - The unit is subject to submersion in water or prolonged periods of dampness or condensation.
  - Any damage to the unit, combustion chamber, heat exchanger or other components due to water, or weather damage which is the result of, but not limited to, improper chimney/venting installation.
- Exclusions to this 7 Year Warranty include: injury, loss of use, damage, failure to function due to accident, negligence, misuse, improper installation, alteration or adjustment of the manufacturer's settings of components, lack of proper and regular maintenance, damage incurred while the appliance is in transit, alteration, or act of God.
- This 7 Year warranty excludes damage caused by normal wear and tear, such as paint discoloration or chipping, worn or torn gasketing, corroded or cracked logs, embers, etc. Also excluded is damage to the unit caused by abuse, improper installation, modification of the unit, drilling of the orifices, or the use of fuel other than that for which the unit is configured. Units are shipped for natural gas and must be converted to propane using the included conversion kit. Confirm fuel configuration with your installer.
- Damage to gold or nickel surfaces caused by fingerprints, scratches, melted items, or other external sources left on the gold or nickel from the use of cleaners other than denatured alcohol is not covered in this warranty.
- DRAGON WHOLESALING is free of liability for any damages caused by the appliance, as well as inconvenience expenses and materials. Incidental or consequential damages are not covered by this warranty. In some states, the exclusion of incidental or consequential damage may not apply.
- This warranty does not cover any loss or damage incurred by the use or removal of any component or apparatus to or from the gas appliance without the express written permission of DRAGON WHOLESALING and bearing a DRAGON WHOLESALING label of approval.
- Any statement or representation of DRAGON WHOLESALING products and their performance contained in DRAGON WHOLESALING advertising, packaging literature, or printed material is not part of this 7 year warranty.
- This warranty is automatically voided if the appliance's serial number has been removed or altered in any way. If the appliance is used for commercial purposes, it is excluded from this warranty.
- No dealer, distributor, or similar person has the authority to represent or warrant DRAGON WHOLESALING products beyond the terms contained within this warranty. DRAGON WHOLESALING assumes no liability for such warranties or representations.
- Dragon Wholesaling will not cover the cost of the removal or re-installation of hearths, facing, mantels, venting or other components.
- If for any reason any section of this warranty is declared invalid, the balance of the warranty remains in effect and all other clauses shall remain in effect.
- THIS 7 YEAR WARRANTY IS THE ONLY WARRANTY SUPPLIED BY DRAGON WHOLESALING, THE MANUFACTURER OF THE APPLIANCE. ALL OTHER WARRANTIES, WHETHER EXPRESS OR IMPLIED, ARE HEREBY EXPRESSLY DISCLAIMED AND PURCHASER'S RECOURSE IS EXPRESSLY LIMITED TO THE WARRANTIES SET FORTH HEREIN.**

## IF WARRANTY SERVICE IS NEEDED:

- If you discover a problem that you believe is covered by this warranty, you **MUST REPORT** it to your DRAGON WHOLESALING dealer **WITHIN 30 DAYS**, giving them proof of purchase, the purchase date, and the model name and serial number.
- Dragon Wholesaling has the option of either repairing or replacing the defective component.
- If your dealer is unable to repair your appliance's defect, he may process a warranty claim through DRAGON WHOLESALING, including the name of the dealership where you purchased the appliance, a copy of your receipt showing the date of the appliance's purchase, and the serial number on your appliance. At that time, you may be asked to ship your appliance, freight charges prepaid, to DRAGON WHOLESALING. DRAGON WHOLESALING, at its option, will repair or replace, free of charge, your DRAGON WHOLESALING appliance if it is found to be defective in material or workmanship within the time frame stated within this 7 year warranty. DRAGON WHOLESALING will return your appliance, freight charges (years 1 to 5) prepaid by DRAGON WHOLESALING, to your regional distributor, or dealership.
- Check with your dealer in advance for any costs to you when arranging a warranty call. Mileage or service charges are not covered by this warranty. This charge can vary from store to store.



**Index**

Battery Replacement.....	16	Log Set Installation .....	21
Before You Begin .....	6	Low Battery Indicator .....	15
Bulb Replacement.....	32	Maintaining Your Heater's Appearance .....	31
Child-Proof Feature.....	17	Normal Operating Odors.....	17
Direct Operation .....	9	Pilot Fuel Conservation Timer .....	11
Display Fahrenheit or Celsius .....	15	Power Outages .....	17
Ember bed Glass and Ember Material Installation .....	30	Remote Control Warnings .....	7
Features .....	3	Remote Operation.....	12
Glass Frame Removal and Installation .....	18	Remote Set-Up .....	8
Heating Specifications.....	3	Replacement Parts List.....	35
Important Information .....	2	Rock Wool Placement .....	28
Installation Warnings.....	2	Starting the Fireplace for the First Time .....	9
Intermittent/Continuous Pilot.....	10	Wiring Diagram .....	36
Location of Controls .....	6	Yearly Service Procedure .....	33

**Want to know more?**

Scan this code with a QR reader on your cell phone or use the URL below to watch a video of how to use the GreenSmart® remote.



<https://vimeo.com/84052701>