



Installation Instructions



Westcott 1000



Westcott 2000

Keep instructions for future reference



TABLE OF CONTENTS

1.0	IMPORTANT INFORMATION	2
2.0	ASSEMBLY OF THE HEATER	3
3.0	INSTALLING THE HEATER	4
4.0	REDUCING CLEARANCES TO COMBUSTIBLES...	5
5.0	INSTALLING THE FLUE	6
6.0	TECHNICAL DRAWINGS	7

THE INSTALLATION INSTRUCTIONS IN THIS MANUAL APPLY TO THE MASPORT WESTCOTT 1000 and WESTCOTT 2000.

THEY HAVE BEEN TESTED FOR EMISSIONS AND EFFICIENCY AND COMPLY ACCORDING TO AS/NZS 4012:2014 & AS/NZS 4013:2014.

1. IMPORTANT INFORMATION

Most building regulatory Authorities in Australia require any wood heater installation to comply with Installation Standard AS/NZS 2918:2018. Different states and councils may have varying regulations. Check local building regulations before installing the appliance.

The Masport Westcott 1000 and 2000 wood heaters have been tested to ensure that they will meet the appropriate safety Standard requirements if the instructions in this manual are followed. As the safety and emissions performance can be affected by altering the appliance, no modifications are allowed without written permission from the manufacturer.

WE RECOMMEND THAT THE INSTALLATION OF YOUR MASPORT WOOD HEATER BE CARRIED OUT BY A QUALIFIED INSTALLER.

WARNING: THE APPLIANCE AND FLUE SYSTEM SHALL BE INSTALLED IN ACCORDANCE WITH AS/NZS 2918:2018 AND THE APPROPRIATE REQUIREMENTS OF THE RELEVANT BUILDING CODE OR CODES.

WARNING: APPLIANCES INSTALLED IN ACCORDANCE WITH THIS STANDARD SHALL COMPLY WITH THE REQUIREMENTS OF AS/NZS 4012 & AS/NZS 4013 WHERE REQUIRED BY THE REGULATORY AUTHORITY, I.E. THE APPLIANCE SHALL BE IDENTIFIABLE BY A COMPLIANCE PLATE WITH THE MARKING 'TESTED TO AS/NZS 4012 & AS/NZS 4013'.

ANY MODIFICATION OF THE APPLIANCE THAT HAS NOT BEEN APPROVED IN WRITING BY THE TESTING AUTHORITY IS CONSIDERED TO BE IN BREACH OF THE APPROVAL GRANTED FOR COMPLIANCE WITH AS/NZS 4012 & AS/NZS 4013.

CAUTION: MIXING OF APPLIANCE OR FLUE-SYSTEM COMPONENTS FROM DIFFERENT SOURCES OR MODIFYING THE DIMENSIONAL SPECIFICATION OF COMPONENTS MAY RESULT IN HAZARDOUS CONDITIONS. WHERE SUCH ACTION IS CONSIDERED, THE MANUFACTURER SHOULD BE CONSULTED IN THE FIRST INSTANCE.

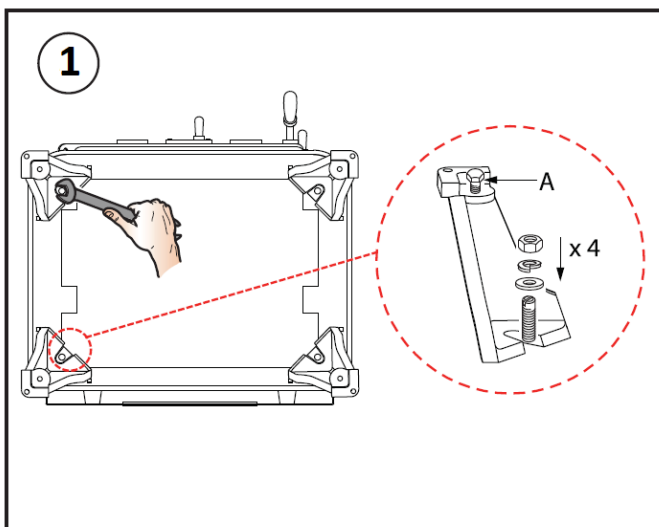
CAUTION: CRACKED AND BROKEN COMPONENTS, EG. GLASS PANELS OR CERAMIC TILES, MAY RENDER THE INSTALLATION UNSAFE.

2. ASSEMBLY OF THE HEATER

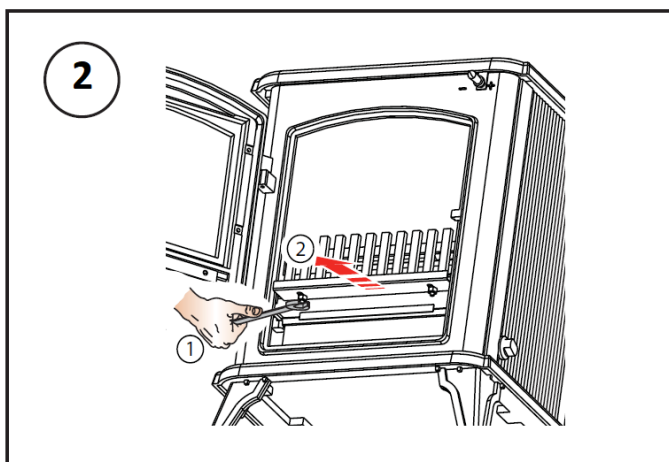
To make the heater easier for handling on installation, remove the baffle plate, side and back bricks and door. Please these in a secure plate to avoid damage. These must be refitted after installation.

The legs and other fixings are packed in the ashpan for safe keeping in transport. Fix the legs to the underside of the product using the bolts provided.

Packed with the heater is a heat shield to be fitted on the underside of the product (**Fig 1**). After fitting the legs, fit the holes in the heat shield over the threaded ends that secure the legs. Fasten the nuts over the heat shield to hold in place.



The primary air sealing plate is located on the front of the grate. To locate in position, loosen the screws beneath the grate and pull forward, then close the door fully, open again and tighten the screws (**Fig 2**).



Installing bricks and baffle

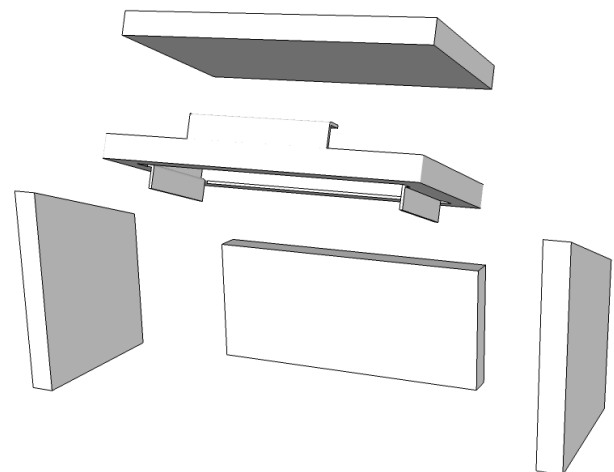
Before install the baffle plate and bricks, be sure to remove the slotted log guard first otherwise baffle won't fit through door opening.

The baffle plate in the Westcott 1000 and 2000 models consist of a steel retainer frame and a vermiculite board that sits in the frame.

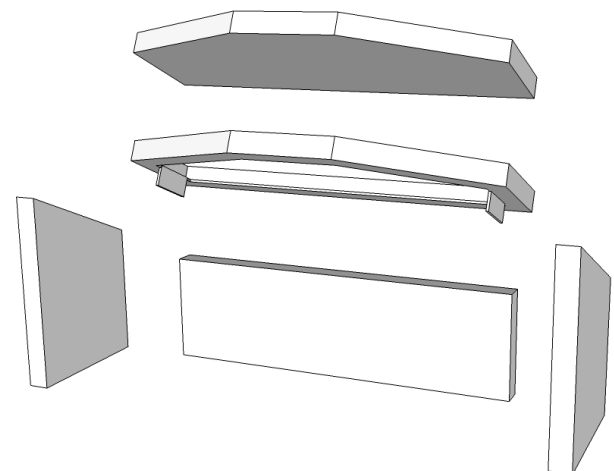
Position the rear vermiculite brick first positioning it below the secondary burn tube. Fit the baffle plate (retainer and vermiculite board) in the firebox. Hold the baffle plate up while fitting the side vermiculite bricks and then rest the baffle plate on top of the vermiculite side bricks.

To fit the log guard, there is a small square hole on each front corner of the internal firebox that the legs on each end of the log guard drop into to locate it.

Westcott 1000



Westcott 2000



3. INSTALLING THE HEATER

3.1 Positioning the Heater

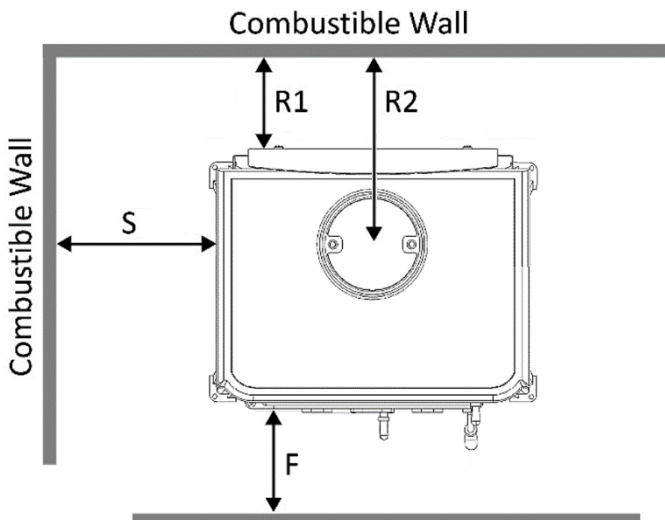
First review the necessary **minimum** clearances specified below before considering where to position the heater. These clearances can be greater if desired.

Also check the practicability of installing the flue system in relation to any obstructing roof beams before positioning the heater.

If installed without the optional rear heat shield, then the surrounding walls must be made of non-combustible material, e.g. stone, brick, or concrete. If non-combustible material, distance can be reduced to 100 mm.

If installing next to combustible materials, the optional rear heat shield must be installed along with the rear flue shield and the clearances specified below followed.

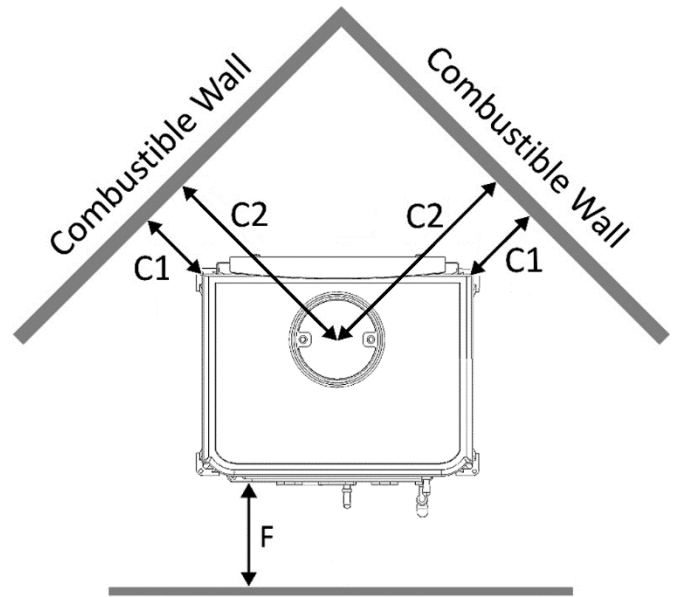
3.1.1 Standard Installation



Clearances – Standard Installation		
	Westcott 1000	Westcott 2000
Side – S (mm)	750	600
Rear – R1 (mm)	300*	300*
Rear – R2 (mm)	430*	436*
Floor - F (mm)	450	500

(*Note: These rear clearances are with the optional rear heat shield fitted)

3.1.2 Corner Installation



Clearances – Corner Installation		
	Westcott 1000	Westcott 2000
Corner – C1 (mm)	400*	400*
Corner – C2 (mm)	618*	*670
Floor - F (mm)	450	500

(*Note: These corner clearances are with the optional rear heat shield fitted)

3.2 Floor Protector (Hearth)

Unless the heater will be standing on a heat resistant floor such as concrete slab with slate or tiles, it will be necessary to provide a floor protector (hearth).

The dimensions given above (Section 3.1) are the minimum required for the floor protector to extend beyond the firebox door opening, and it must extend a minimum 200mm either side of the door opening. The floor protector must extend beneath the heater and a minimum 100mm beyond the rear of the heater.

It may be desirable, for example aesthetic reasons, for the floor protector to be larger than these minimum dimensions.

The floor protector must be constructed from non-combustible, heat-resistant material.

Westcott 1000 – minimum thickness 20mm compressed fibre cement sheet with a thermal conductivity not greater than $0.33\text{W/m}^\circ\text{K}$, or an equivalent construction, eg. compressed cement sheet with layer of tiles.

Westcott 2000 – two floor protector options

- a) Two 15mm thick compressed fibre cement sheets with a thermal conductivity not greater than $0.33\text{W/m}^\circ\text{K}$ with a 1mm thick layer of steel between the cement sheets, or an equivalent construction.
- b) A ventilated floor protector with a minimum 15mm thick non-combustible layer with a 15mm air gap beneath ventilated by a minimum total free air of 3600mm^2 .

The floor protector may be laid directly on the combustible floor.

For more details and variations on floor protectors refer to AS/NZS 2918:2018 Clause 2.2, 3.3.1, & 3.3.2

4. REDUCING CLEARANCES TO COMBUSTIBLES

If it is necessary to install a heater closer to a combustible surface than the stated requirements in Section 3 of this Installation Guide, it must be done in accordance with Australian Standard AS/NZS 2918:2018 Section 3, Tables 3.1 & 3.2.

Shield Construction: The shield shall be constructed from a heat resistant material. The shield must be fixed to the surface that requires protection and NOT the heater.

The Standard allows three options to reduce stated clearances.

Single layer of continuous material with Minimum Air Gap of 12mm—Clearance Factor = 0.40

Single layer of continuous material with Minimum Air Gap of 25mm—Clearance Factor = 0.30

Two spaced layers of continuous material with Minimum Air Gaps of 12mm + 12mm—Clearance Factor = 0.20

The shielding must be open at the top and bottom (vented) to allow a continuous air flow. It is this air flow that keeps the surface requiring protection cool. Fixings should not impede this air flow.

The shielding needs to go far enough along and up the wall so that the original side and rear required clearances are not compromised. As the flue is now closer to the wall the shielding should also protect the wall from the flue pipe.

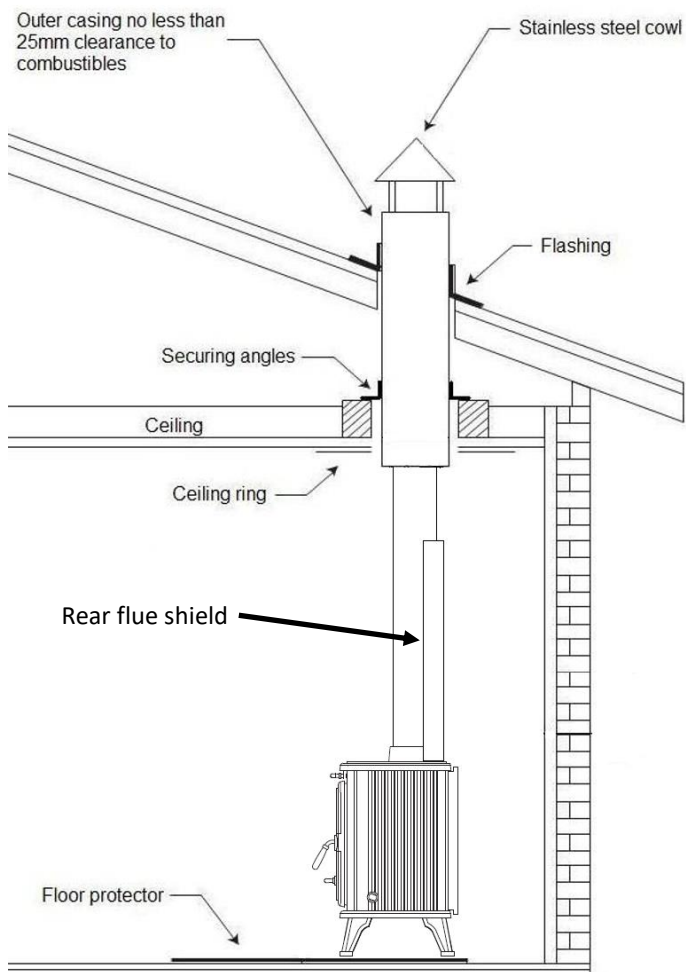
5. INSTALLING THE FLUE

The flue system used when installing the heater MUST comply with the current installation standard AS/NZS 2918.

The Westcott 1000 must be installed with a 125mm diameter active flue and the Westcott 2000 installed with a 150mm diameter active flue.

Full instructions on the installation of the flue will be supplied with the flue kit. These MUST be followed closely, including the minimum exit height from the top of the floor protector being not less than 4.6m, and the minimum exit height above the roof line of roof ridge as detailed in the instructions.

If installing next to a combustible wall, the flue must be fitted with a rear flue shield extending a minimum 900mm from the top of the heater.



6. TECHNICAL DRAWINGS

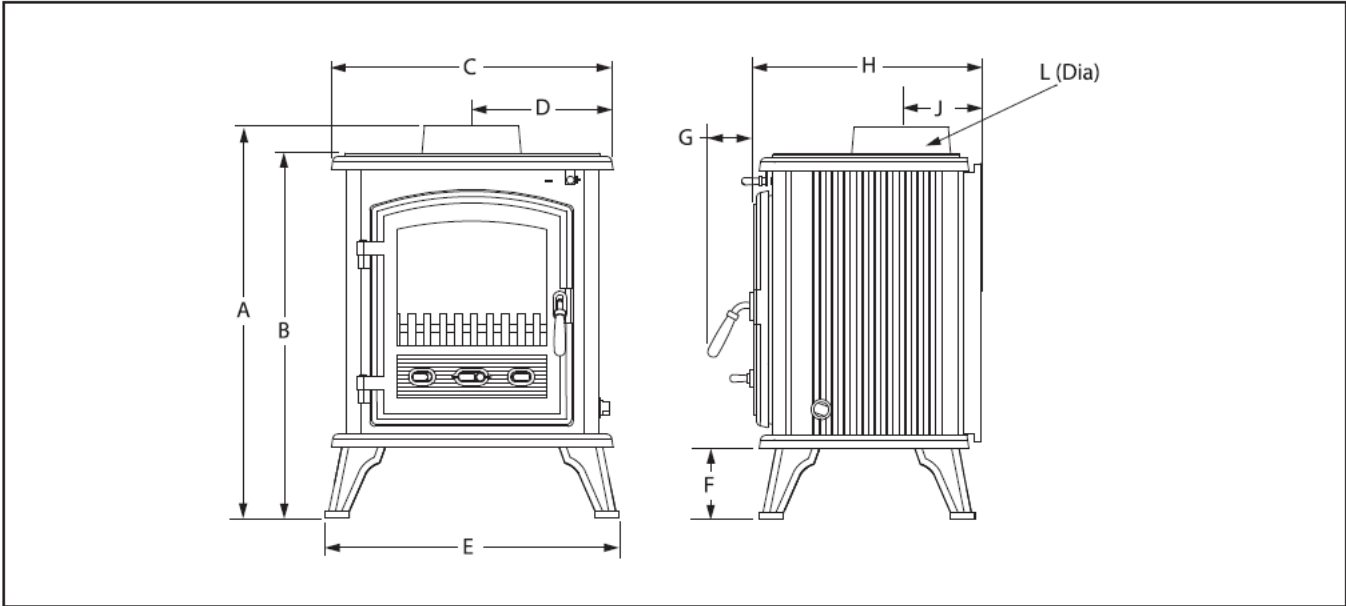


Table 1 - Dimensions	A	B	C	D	E	F	G	H	J		L
Westcott 1000	580	540	416	208	434	105	55	336	120		128
Westcott 2000	602	554	544	272	564	102	55	309	126		154
Note: All Dimensions in mm. Dimensions stated may be subject to a slight ± variation.											

Table 2 - Dimensions	Flue Outlet Size	Weight
Westcott 1000	125	73
Westcott 2000	150	88
Note: All Dimensions in mm. Dimensions stated may be subject to a slight ± variation.		

If optional rear heat shield is fitted, add 10mm to dimension H and J.



Glen Dimplex Australia Pty Ltd

8 Lakeview Drive,
Scoresby Victoria 3179
Australia

T: 1300 556 816 | F: 1800 058 900

General & Sales Enquiries: flame@glendimplex.com.au

Technical Service: service@glendimplex.com.au

www.glendimplex.com.au