

# AU NEW FOREST 2400 ELECTRIC FIRES

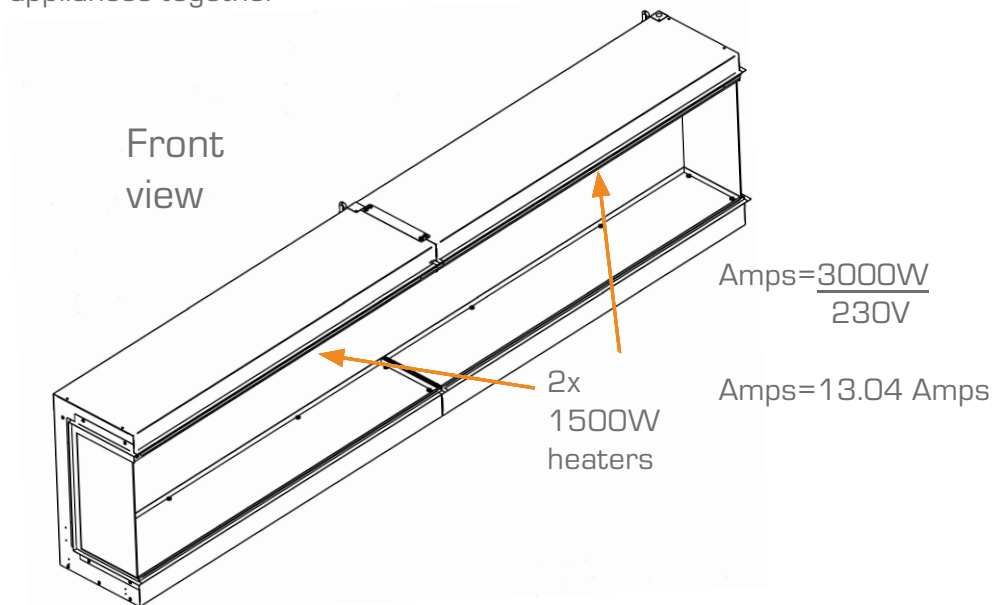
ADDENDUM



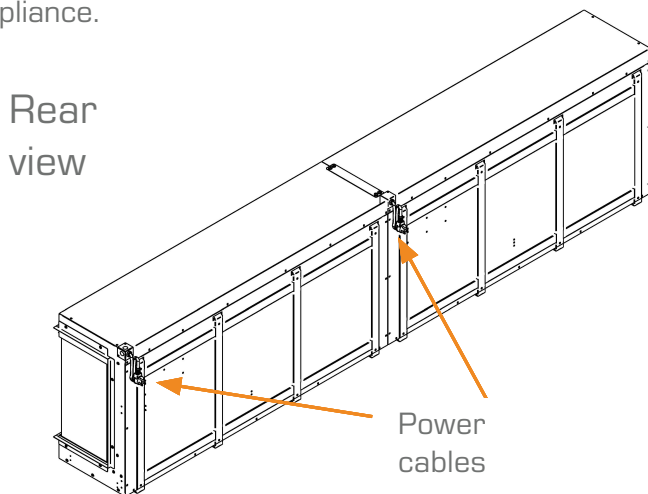
  
BRITISH  
FIRES

# IMPORTANT INSTALLATION INSTRUCTIONS

It should be noted that the New Forest 2400 consists of 2x 1500W appliances together



The power cables are situated on the rear, right hand side of each appliance.



This model requires 2x power points and a total of 13.04 Amps and therefore may require it's own circuit. It is recommended that for an optimum installation it is hard wired with it's own circuit.