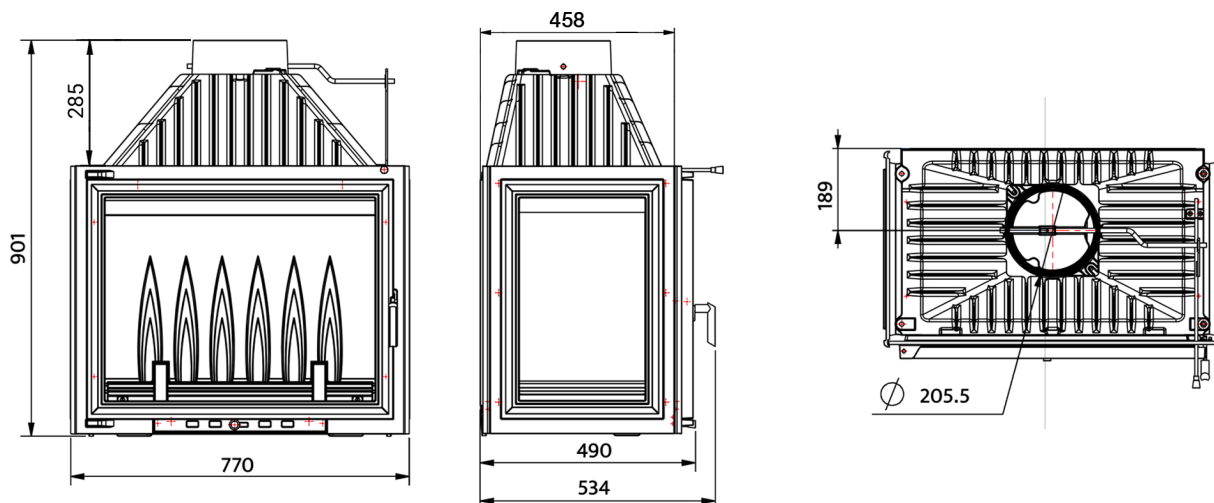
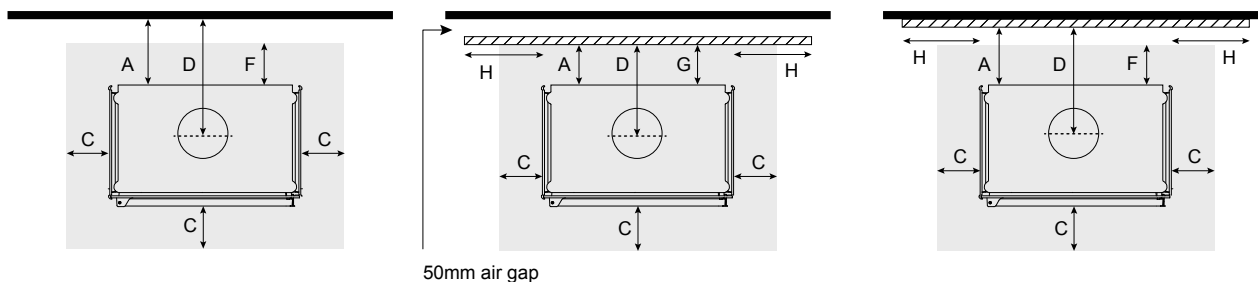


SIENA 750 GF3

APPLIANCE DIMENSIONS



CLEARANCE TO COMBUSTIBLES



		No heat shield	Heat shield with 50mm air gap	Heat shield attached to the combustible wall
A	Rear of heater to rear wall	1150	200	400
C	Hearth extension from the glass opening*	700	700	700
D	Centre of flue to rear wall	1339	389	589
F	Hearth extension from the rear of the heater	200	Refer to G dim.	200
G	Hearth extension towards the heat shield	N/A	Extend up to the heat shield	Refer to F dim.
H	Heat shield extension from glass opening	N/A	900	900
	Heat shield height from hearth	N/A	1900	1900
	Hearth thickness directly below the appliance	150	150	150
	Hearth thickness extending beyond the appliance	50	50	50

Hearth recommendation:

It is highly recommended that Hebel Block material to be used as the hearth both directly below the appliance and extending beyond the appliance base. Please consult with retailer or installer if you wish to change the hearth material or clearances.

* Please refer to Hearth Clearance document for further information.