



Lower Trim – ProBuilder 36/42 CF

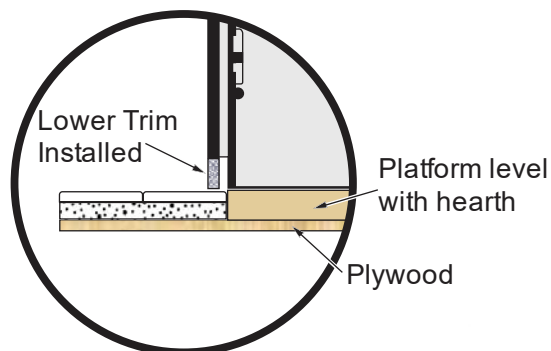
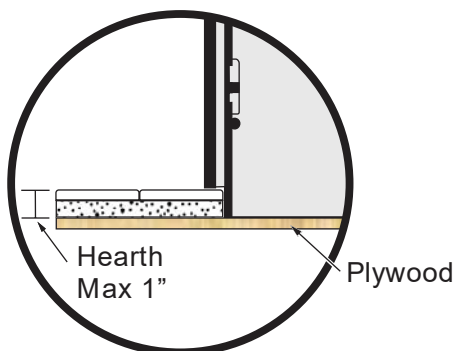
Overview

The optional lower trim attaches to the bottom of the screen assembly, covering the area near the base of the fireplace. When it is installed, the installer will not need to install facing (or hearth) in the area below the screen assembly (see illustrations below).

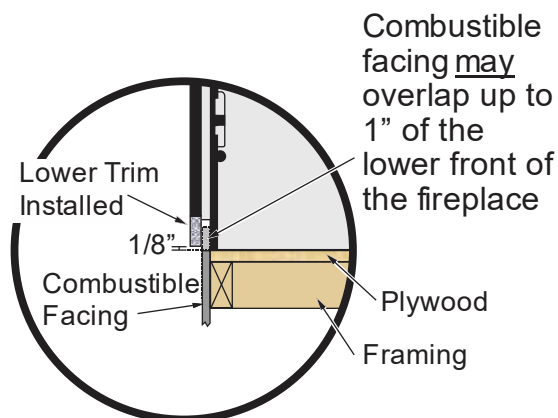
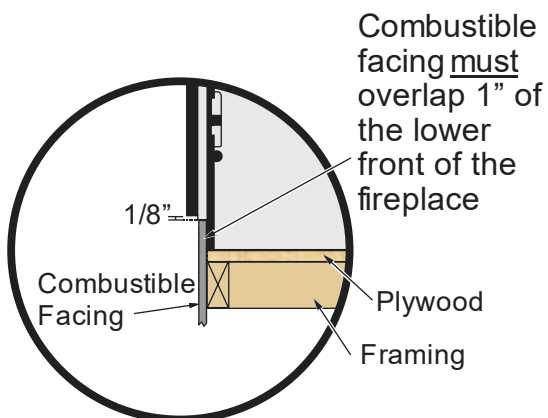
Without Lower Trim

With Lower Trim

Traditional Install
With Hearth



Elevated Install
No Hearth



Packing List

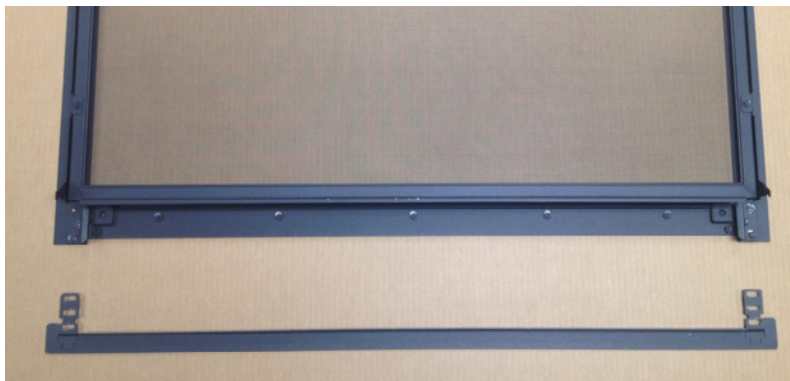
- Lower Trim
- Lower Thick Facing Guide
- (2) #8 x 3/8" Phillips head screws



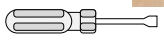
Lower Trim Installation

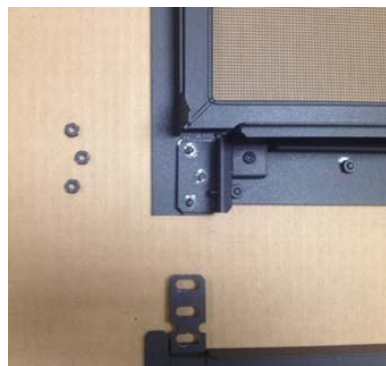
The lower trim should be installed prior to installation. Follow the directions below to install.

1. Remove the screen assembly from the fireplace and place it face down on a non-scratching surface (e.g.: cardboard). Place the lower trim face down below the trim (see picture below).

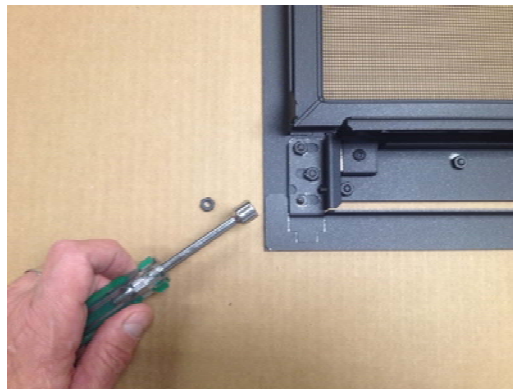


2. Remove the 3 nuts holding the each door hinge in place (both sides).
NOTE: Do not move or lift the face during installation – the door hinge may come loose and bind.


11/32" Nutdriver



3. Place the lower trim over the 3 exposed studs (both sides). Replace the 3 nuts (both sides) to secure the lower trim.
NOTE: You may need to loosen the nuts and adjust the trim to achieve correct alignment.



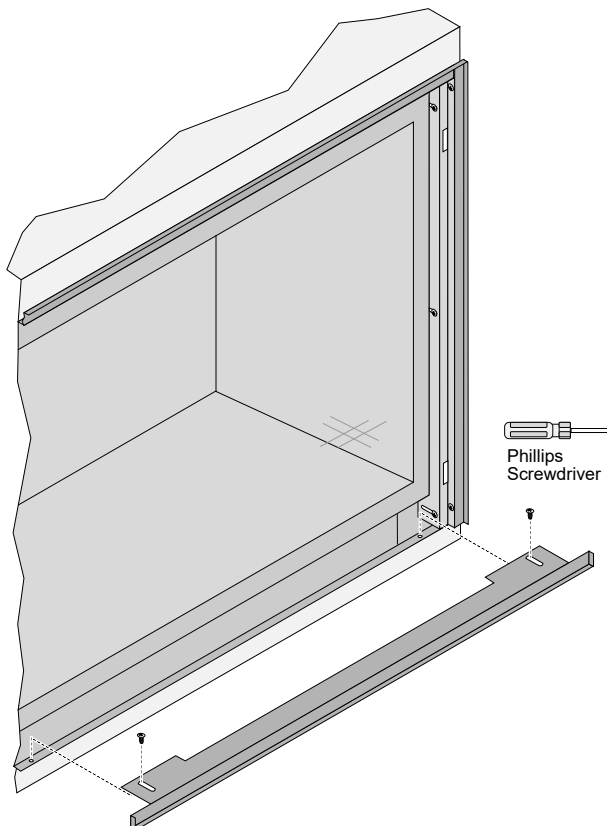
4. Replace the screen assembly on the fireplace.



Lower Thick Facing Guide Installation (optional)

The lower thick facing guide is installed if using thick facing (see installation manual for details). When installed, it acts as an installation guide for thick facing to prevent any material from protruding over the trim assembly.

1. Remove the screen assembly from the fireplace and place it aside.
2. Attach the lower thick facing guide to the fireplace using the 2 included screws (see illustration below).
NOTE: The thick facing guide extends to the base of the fireplace. Take care when moving the fireplace to prevent damage to the guide.



Make sure the thick facing guide is pushed fully in during facing installation. The slots on the guide allow for the guide to be moved out after the facing is in place. See the installation manual for further details.