

Studio Heat Shield



For use with: RVFS-1AU/ RVFS-2AU/ RVFS-3AU

(Only when installed on a Stovax Bench option)

Instructions for Servicing & Maintenance

For use in AU & NZ (Australia and New Zealand)

These products are tested in accordance with AS/NZ 4012:2014, AS/NZ 4013:2014 and AS/NZ 2918:2001.

All installations must be carried out by an S.F.A.I.T (Solid Fuel Authorised Technician).

The Vision must be bolted through to the hebel or base to comply with the seismic restraint provisions of AS/NZ 2918:2001

IMPORTANT

These instructions are designed to complement the appliance installation and user guide in order to install a Stovax Studio Freestanding.

This supplement should be read in conjunction with the supplied manuals, in particular PM994AU and PM205, to ensure all the correct installation procedures are followed in order to safely operate the appliance with a Heat Shield.

Contents

Studio Heat Shield

Covering the following models:

Heat Shield Kit				
Model	Studio 500	Studio 1	Studio 2	Studio 3
Heat shield kit	RVFS-500HSK	RVFS-1HSK	RVFS-2HSK	RVFS-3HSK

Bench option				
Model	Studio 500	Studio 1	Studio 2	Studio 3
RVACB100BHT*	✓	✓	-	-
RVACB120BHT*	✓	✓	✓	-
RVACB140BHT*	✓	✓	✓	-
RVACB180BHT*	✓	✓	✓	-
RVACLB100BHT*	✓	✓	-	-
RVACLB120BHT*	✓	✓	✓	-
RVACLB140BHT*	✓	✓	✓	-
RVACLB180BHT*	✓	✓	✓	✓

Note: A suffix of HT shows a product with packaging that conforms to ISPM15 requirements.

Installation Instructions	3
Dimensions and Clearances	3
Packing List	4
Pre-Installation Instructions	4
Installing the Appliance.....	4
Installing the Appliance with an Outdoor Air Kit	5

Installation Instructions

Dimensions & Clearances

Heat Shield Dimensions

Product Code	Description	Width (W) mm	Height (H) mm
RVFS-500HSK	Studio 500 Freestanding – Heat shield kit	582	438
RVFS-1HSK	Studio 1 Freestanding – Heat shield kit	780	439
RVFS-2HSK	Studio 2 Freestanding – Heat shield kit	976	462
RVFS-3HSK	Studio 3 Freestanding – Heat shield kit	1364	473

Fitting this heat shield allows a reduction in the clearance to combustible material dimensions to the values as listed, when the product is fitted to a Stovax Riva bench:-

Product	Side	Back*
Studio 500	300mm	150mm
Studio 1	300mm	150mm
Studio 2	300mm	150mm
Studio 3	300mm	150mm

* This Dimension is measured from the back of the Heat Shield.

Ensure the correct clearance to combustible materials is maintained from any connecting flue pipes, as detailed in Building Regulations.

Installation Instructions

Packing List

- 1 x Instructions
- 1 x Heat shield
- 6 x Spacer - Studio models 500/1/2 only
- 6 x Fixing screw - Studio models 500/1/2 only
- 8 x Spacer - Studio 3 only
- 8 x Fixing screw - Studio 3 only
- 1 x Fixing screw key

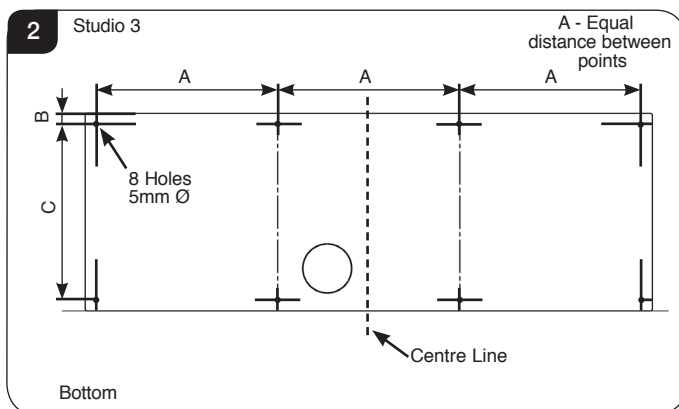
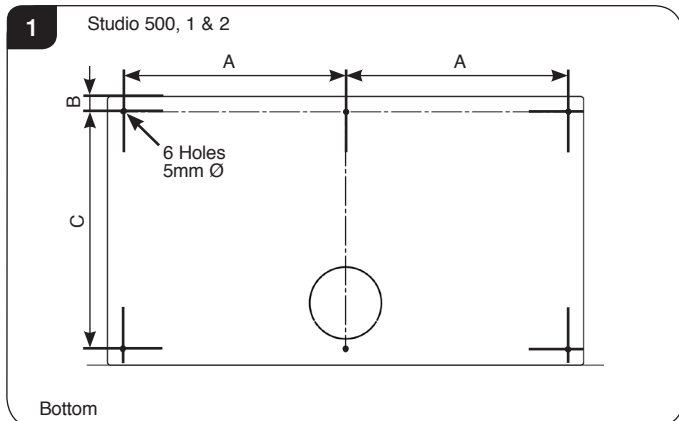
Tools Required

- Fixing screw key supplied
- Knockout Removal Tool e.g. Hack Saw

1. Pre-Installation

- 1.1 Take care to not over tighten the fixing screws if using a power screwdriver.
- 1.2 There are 6 fixing points for the Studio 500, 1 & 2 models. The Studio 3 has 8.

NOTE: Some Studio products may not have the pre-drilled pilot holes. If this is the case drill 6/8 x 5mm diameter holes in the positions as shown.



Model	A	B	C
Studio 500	266	34	388
Studio 1	365	33	389
Studio 2	463	34	413
Studio 3	438	35	423

- 1.3 If installing with an outdoor air kit carefully read through the installation section prior to attempting installation.
- 1.4 If installing with a bench consider the instruction in manual PM205 prior to attempting installation.

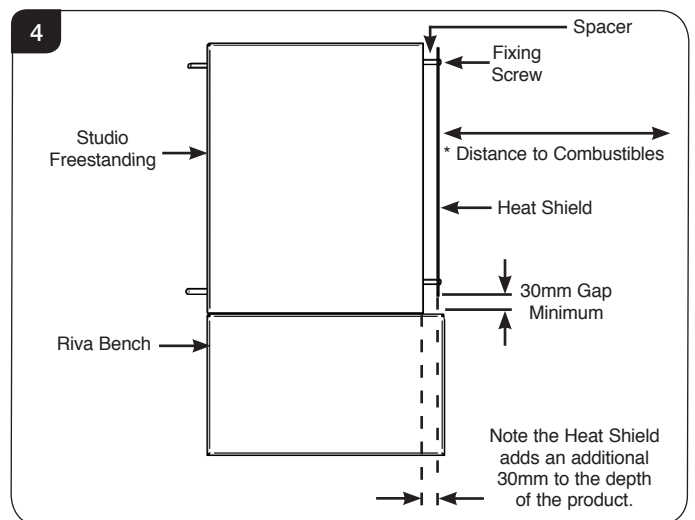
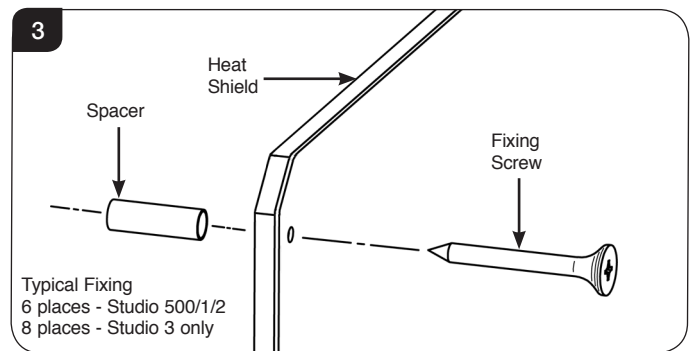
Ensure the correct clearance to combustible materials is maintained from any connecting flue pipes, as detailed in Building Regulations.

2. Installation



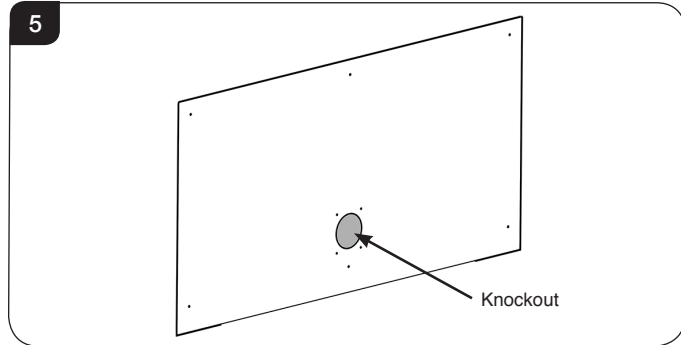
IMPORTANT: IF INSTALLING WITH AN OUTDOOR AIR KIT THEN PLEASE REFER TO SECTION 3

- 2.1 To fit the heat shield, locate it into position using the fixing screws and spacers supplied as shown. Using the pre-drilled pilot holes to locate the position. (See note), Diagrams 3 & 4.

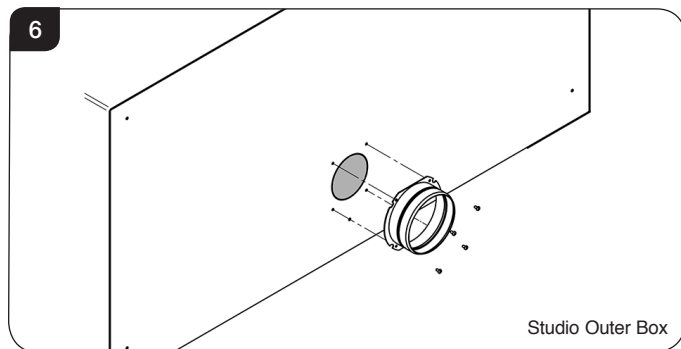


3. Installation with an Outdoor Air Kit.

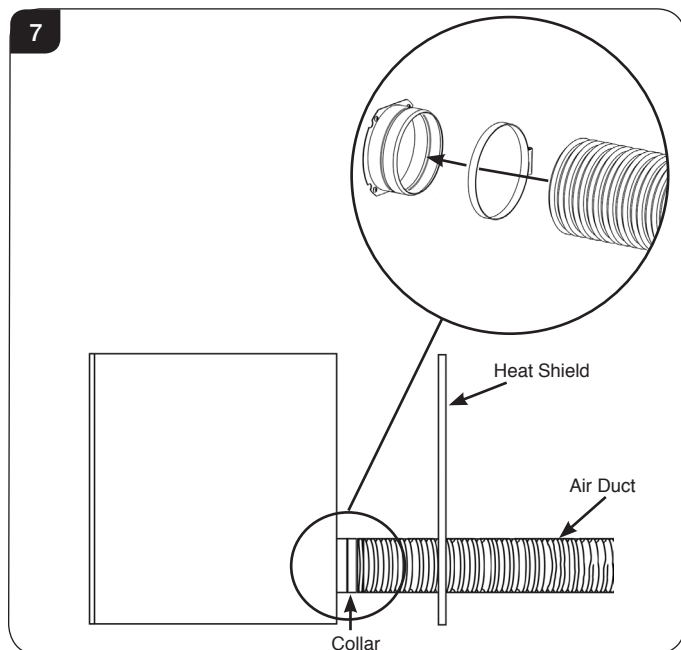
3.1 Remove the knockout from the rear panel of the outer box and the heat shield, see Diagram 3.



3.2 Fix the collar onto the rear panel of the outer box with the 4 self tapping screws, being careful not to over tighten, see Diagram 4.



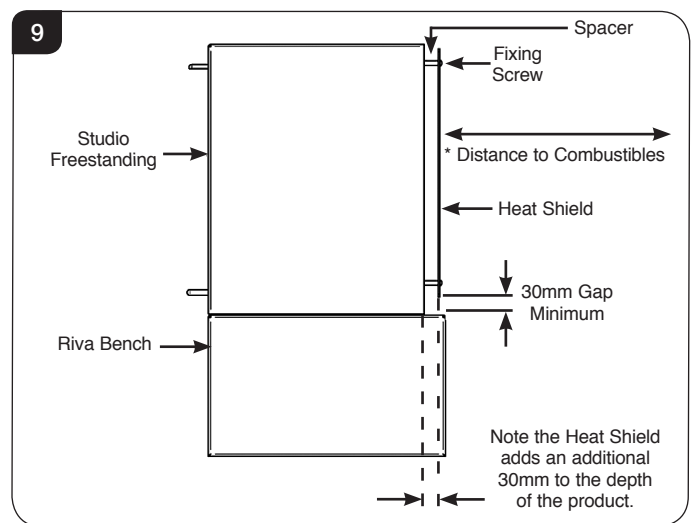
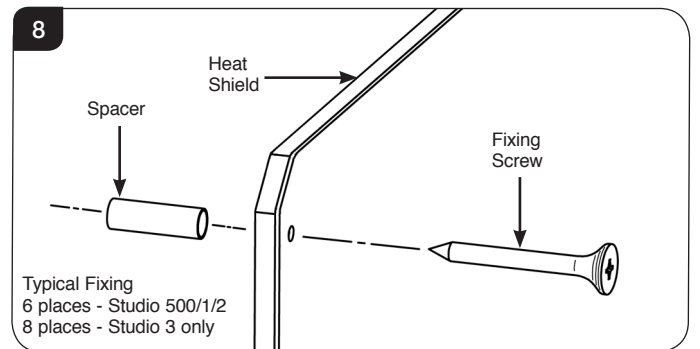
3.3 Thread the tube through the recess in the heat shield, and fit the flexible tube to the collar using the fixing band, see Diagram 7.



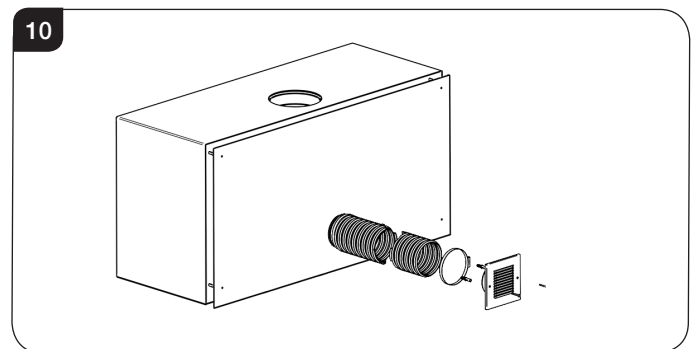
WARNING: KEEP THE HEAT SHIELD UPRIGHT - DO NOT CRUSH THE PIPE DURING INSTALLATION.

Installation Instructions

3.4 To fit the heat shield, locate it into position using the fixing screws and spacers supplied as shown. Using the pre-drilled pilot holes to locate the position. (See note), Diagrams 8 & 9.



3.5 Finish the flexible tube.



Distributed by:

Australia

Fireplace Products Australia Pty Ltd
1-3 Conquest Way
Hallam, VIC, 3803
AUSTRALIA

Adapted from English Issue 6 of PM732

New Zealand



The Fireplace
Head Office & Showroom
12 Tawari Street Mt Eden,
Auckland ph 09 623 6996
www.thefireplace.co.nz

