



hunterstoves  
GROUP



**ASPECT ECO RANGE**  
**Log Store/Plinth**  
**Instructions for installation and use**

JINSAPLSAU REV A 20/05/2025



[HUNTERSTOVES.CO.UK](http://HUNTERSTOVES.CO.UK)

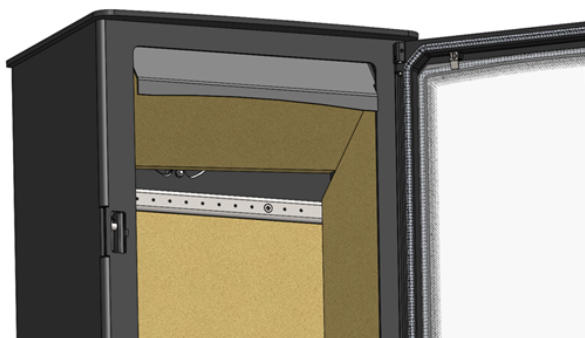


# REMOVING INTERNAL PARTS

1) Remove the current log guard.



2) Remove the baffle brick by pushing to one side. Let the other side drop into the firebox and remove.



3) Remove the bottom base brick by lifting up the front, twist and slide out of body of stove.



4) Remove both side bricks by pulling the rear of the brick into the firebox. The brick will then slide out.

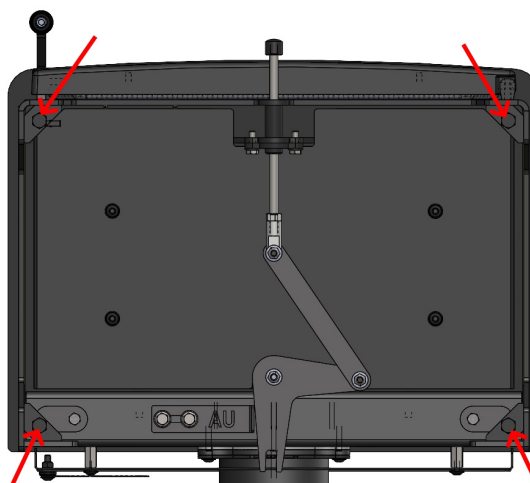


5) Remove the rear brick by pulling one of the sides forward and lift the brick out of the stove.



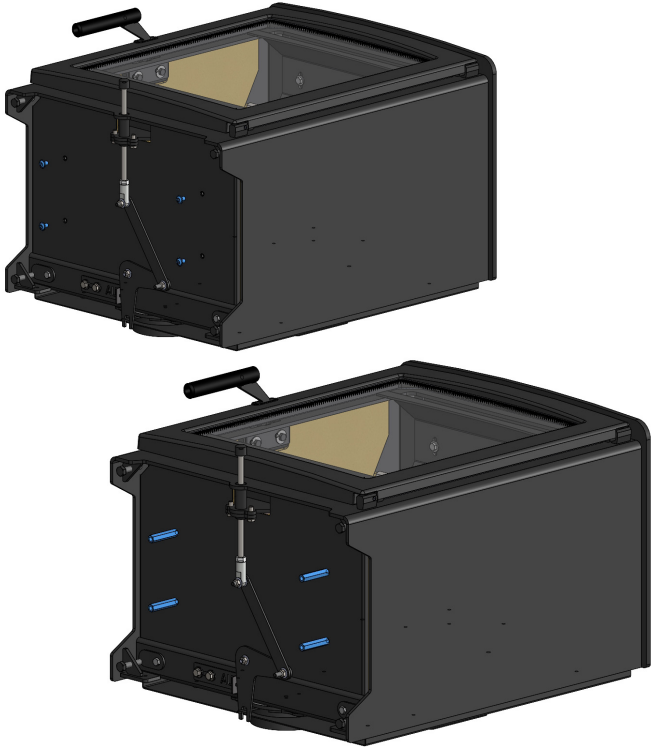
Note  
Reverse this process after the Plinth is fitted

6) Lie the stove on its back and remove the four levelling screws as shown below.

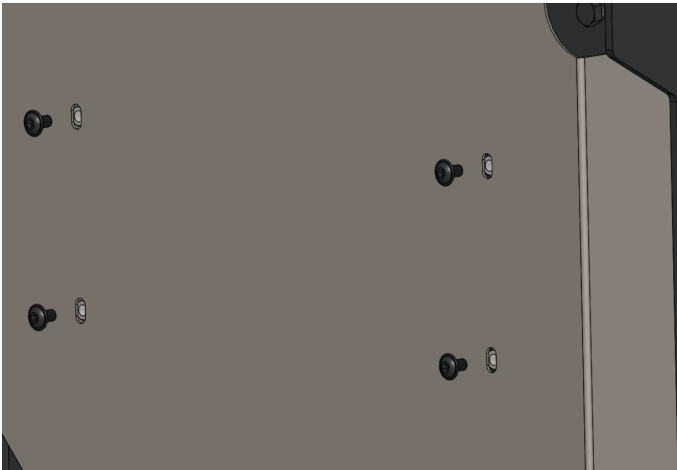


# FITTING THE PLINTH

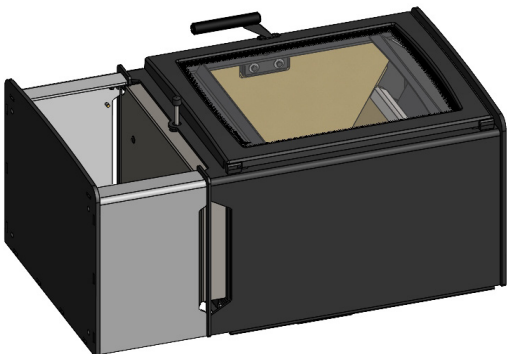
- 1) Remove the 4 Button Head Screws from the Appliance Base Heatshield and replace with the four 50mm Pillars



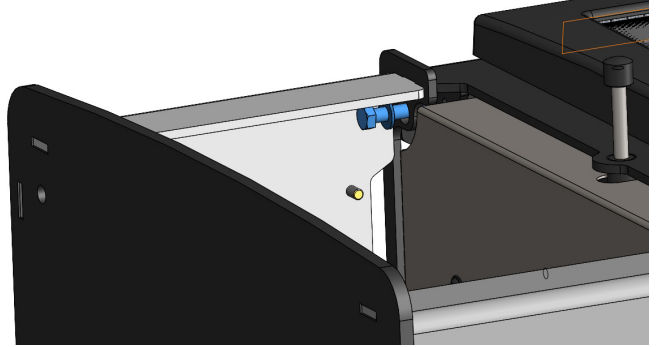
- 2) Place the heat shield over the pillars and put the four M6 Button Head screws through the holes and into the pillars.



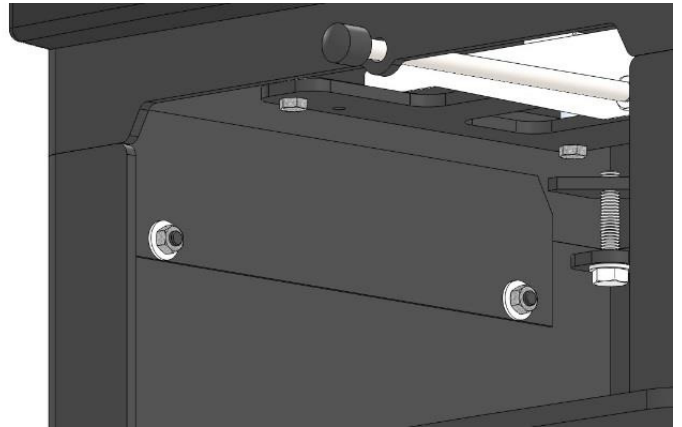
- 3) Offer the plinth into position, ensuring that the edges of it are aligned with the edges of the stove body.



- 4) Place the supplied M8 x 17mm washers over the levelling screws and refit them to the stove, this time passing them through the loops in the plinth.



- 5) Stand the stove upright and fit the blanking plates to complete the process.

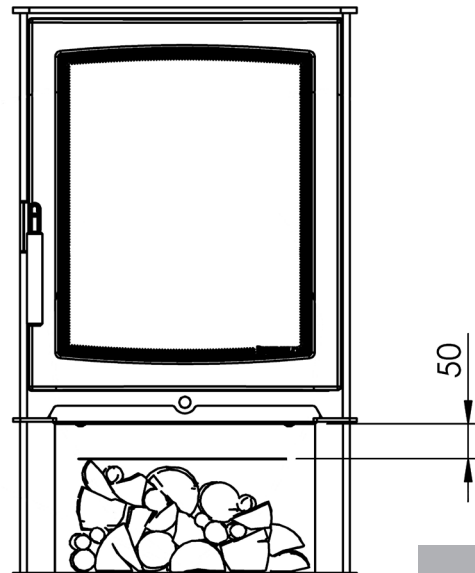


## FUEL STORAGE

The Aspect plinths have been designed and tested to satisfy the requirements of AS/NZS 4012/4013: 2014

Wood Fuel may be stored in the plinth.

Ensure a gap of 50mm remains, at all times, between the Fuel and Heatshield.





hunterstoves  
GROUP

8 EMPEROR WAY EXETER DEVON EX1 3QS  
INFO@HUNTERSTOVES.CO.UK WWW.HUNTERSTOVES.CO.UK

Hunter Stoves reserve the right to change dimensions and procedures described in these instructions at anytime without special notice.