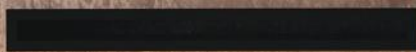




LIVING FIRE



# Siena

**seven fifty tunnel inbuilt**  
Wood Fire

By PAUL AGNEW | DESIGNS<sup>®</sup>

# Siena

## seven fifty tunnel inbuilt

Exclusively brought to Living Fire by Paul Agnew Designs.

This modern minimalist wood heater can blend into a multitude of design interiors, with the flexibility to be used as an open fireplace or slow combustion unit, this double-sided fireplace will make a statement in any open plan space.

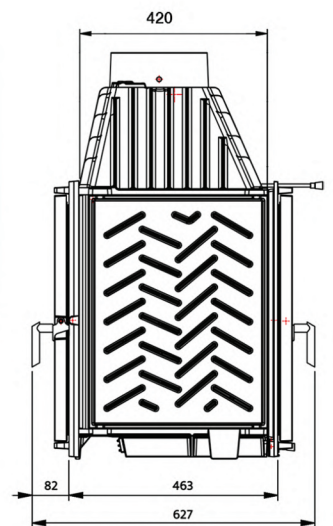
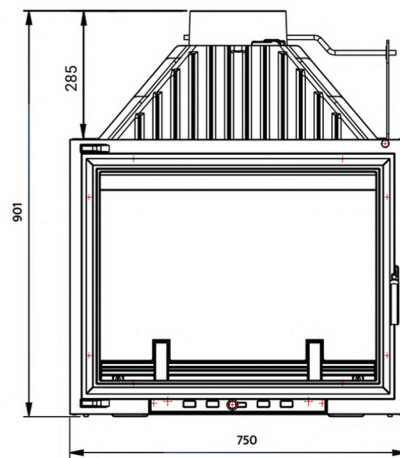
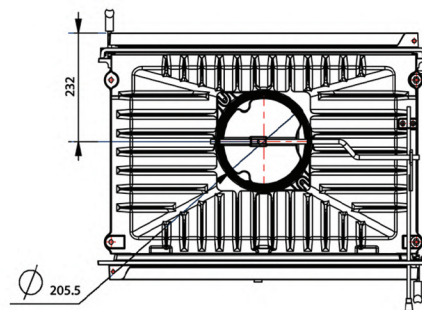
Designed to be enjoyed from both sides, this is the perfect unit to divide any space.

Placed in the centre of a room, or even the most modern warehouse conversion, this beautifully crafted cast iron is sure to catch your eye.

Whether installed as a built-in or left freestanding, the high quality craftsmanship guarantees reliability and durability.

## Specifications

- Secure swing door opening system
- Regulation of air supply for combustion
- Built in damper control
- Dual combustion heating system: radiant and natural convection exclusive to the inbuilt model
- Radiant combustion heating system
- Removable grate for easy cleaning
- Heat resistant glass withstands temperatures of 800°C.
- Minimalist frame with blackened glass edge for modern design.
- Optional external primary air intake
- Heats up to 290 sqm
- Thermal efficiency 80%



[livingfire.com.au](http://livingfire.com.au)

