

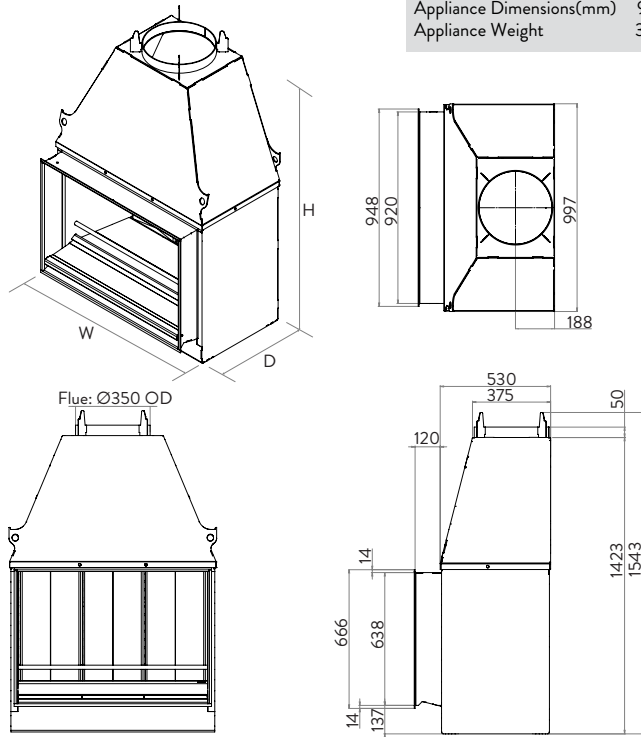


Suitable for outdoors only.
Wood burning barbeque and outdoor fire.
For further information or specifications, visit the technical section of our website www.escea.com to view the latest product Installation Manual.

Appliance Information

Specifications

Appliance Dimensions(mm) 977W x 1543H x 655D
Appliance Weight 300kg



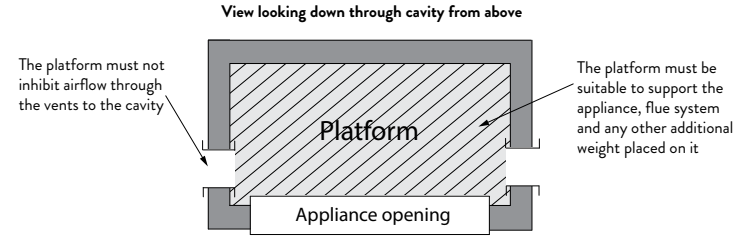
Concrete or Concrete Block Structure	
Minimum Cavity Dimensions without 140mm concrete(mm):	1077W x 835D
Minimum Cavity Dimensions with 140mm concrete(mm):	1357W x 1050D

Timber or Combustible Structure	
Minimum AAC Heat Cell Dimensions(mm):	1260W x 1700H x 896D
Minimum Cavity Dimensions(mm):	1320W x 1800H x 930D

NOTE: For Concrete or Concrete Block Structure Height dimension depending on the installation method, please see the Installation Manual for details.

Platform Construction

The fire must be securely fastened to the platform using the fixing points on the base of the appliance. Please see the Installation Manual for details.

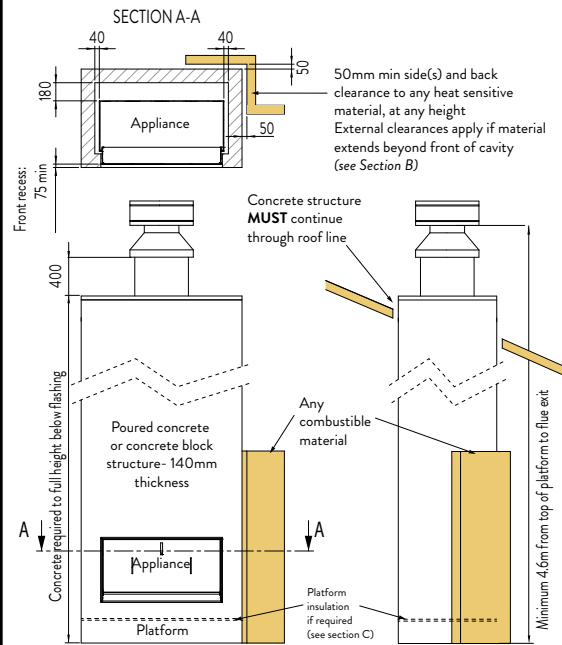


Cavity Construction

Minimum Requirements of if installing into a Concrete or Concrete Block Structure(mm):

The entire appliance must be fully enclosed in concrete material of thickness 140mm or greater. Cladding over the concrete structure can consist of any heat resistant material.

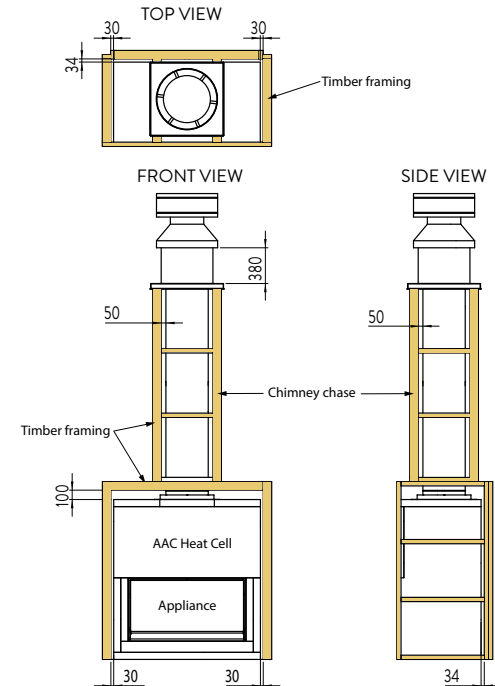
When the appliance is installed in a remote, freestanding structure that is not attached to or encompassed within the envelope of the building and is at least 2000mm from any combustible material in any direction, then the enclosure may be constructed from any heat resistant material. If any combustible material is within 2000mm of the fire in any direction, then the enclosure **must** comply with the concrete structure specified below.



Minimum Requirements of if installing into a Timber or Combustible Structure(mm):

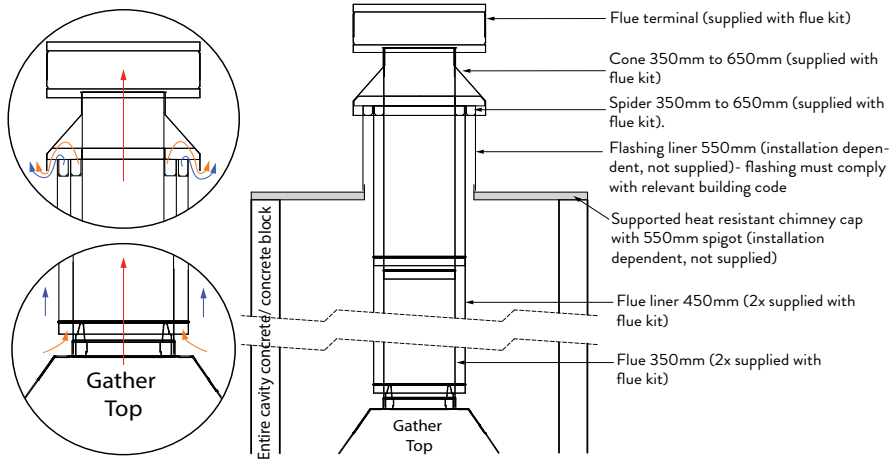
The appliance **MUST** be installed with an Autoclaved Aerated Concrete (AAC) heat cell. The heat cell dropbox (supplied separately) must be installed with the heat cell and the heat cell dropbox see the Installation Manual section "E3 Autoclaved Aerated Concrete (AAC) Heat Cell Assembly" on page 15.

Any cladding over the front of the structure (not including the chimney chase structure) must consist of a heat resistant material. Cladding over any other surface of the structure can consist of a combustible material (eg. plywood).

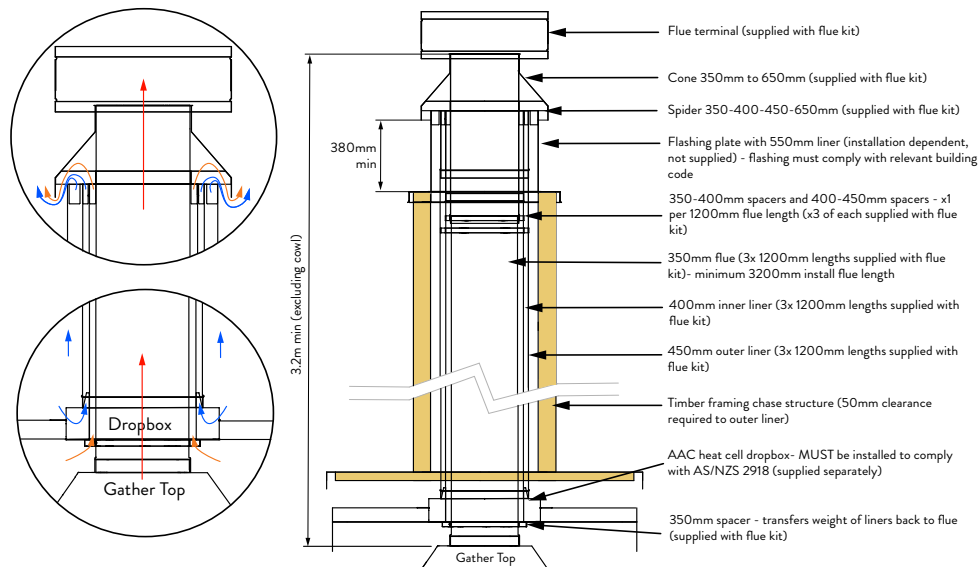


Flue Information

Flue Specifications for the Concrete | Concrete Block Structure



Flue Specifications for the Timber | Combustible Structure



NOTE: The appliance & flue system shall be installed in accordance with AS/NZS 2918 and these specifications.
 NOTE: The flashing requirements must comply with the Installation Manual relevant section D3 on page 12 or E4 on page 21, depending on the installation method of choice.

Venting & Sealing Requirements

The venting and sealing requirements must comply with the Installation Manual relevant section D1 and D2 on page 11 or section E1 and E2 on page 14, depending on the installation method of choice.

Clearances

External Clearances to Combustible Surfaces

The cavity structure must comply with the minimum requirements as stated on the previous page depending on the installation method of choice.

Do not install a TV above this fire under any circumstances.

