

# Kitset Wall Unit (KWU) Installation Instruction

*Escea DN Series & MODE KS1150 Corner & Peninsula*

escea.  
FIREPLACE COMPANY

The sheet metal support structure known as the Kitset Wall Unit (KWU) has been specifically crafted to simplify the installation process for the DN & KS1150 Corner & Peninsula models.

After assembly, it can sustain wall cladding weighing up to 500kg without transferring any load to the fire.

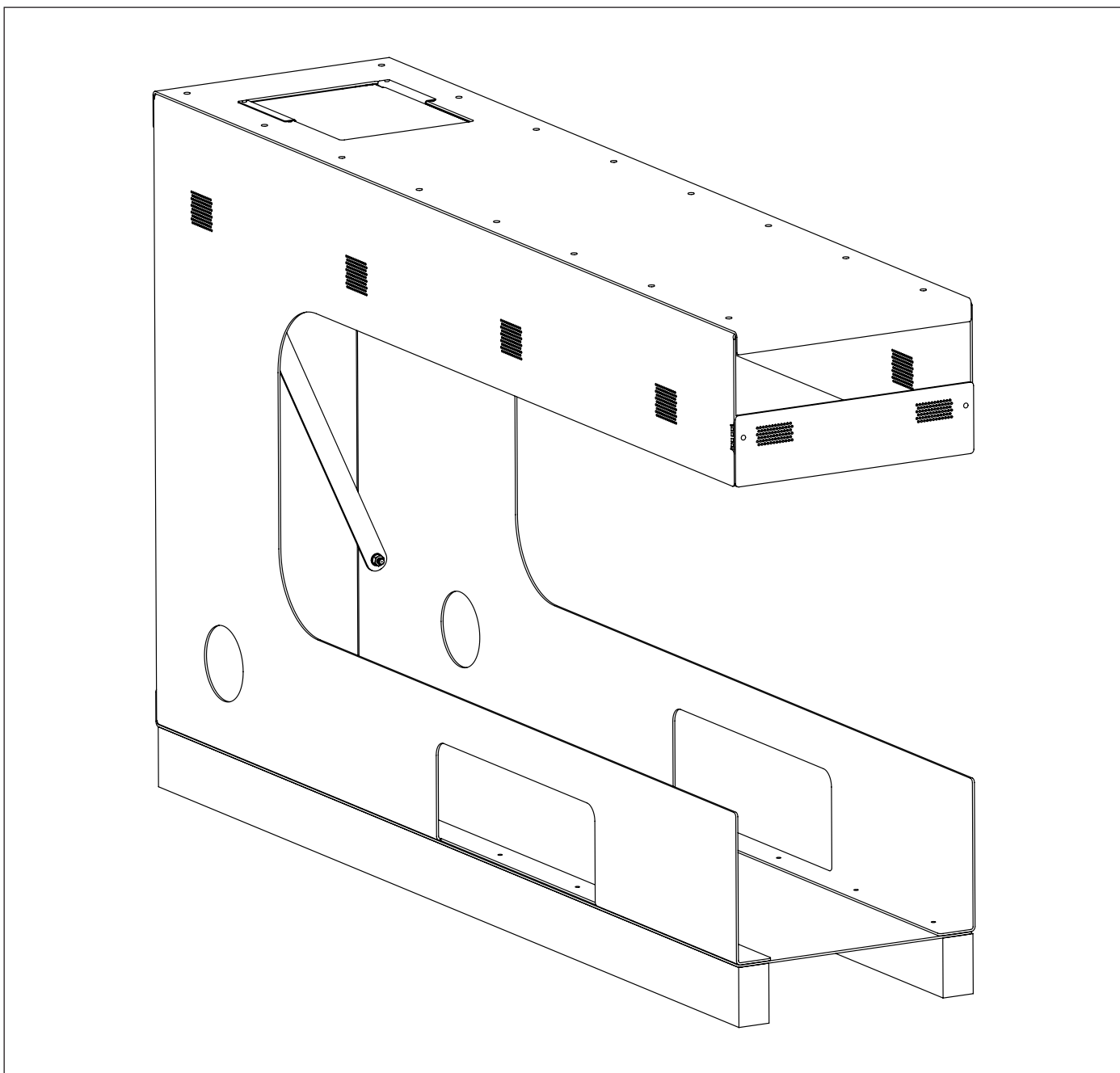
Please verify that you have ordered the appropriate KWU kit number for your model :

908600 -- KS1150 Corner and Peninsula KWU

908277 -- DN1150 Corner LH KWU (includes extended trims)

908278 -- DN1150 Corner RH KWU (includes extended trims)

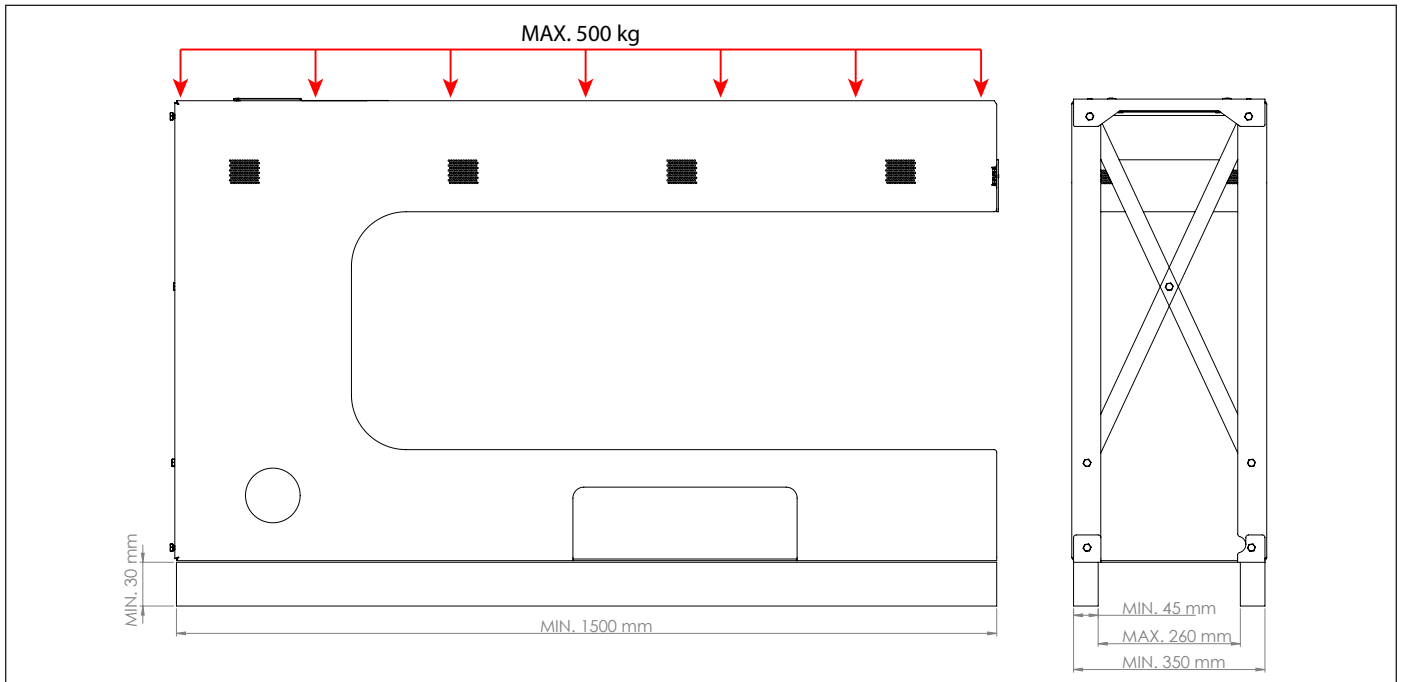
908279 -- DN1150 Peninsula KWU (includes extended trims)



# Kitset Wall Unit (KWU) Installation Instruction

Escea DN Series & MODE KS1150 Corner & Peninsula

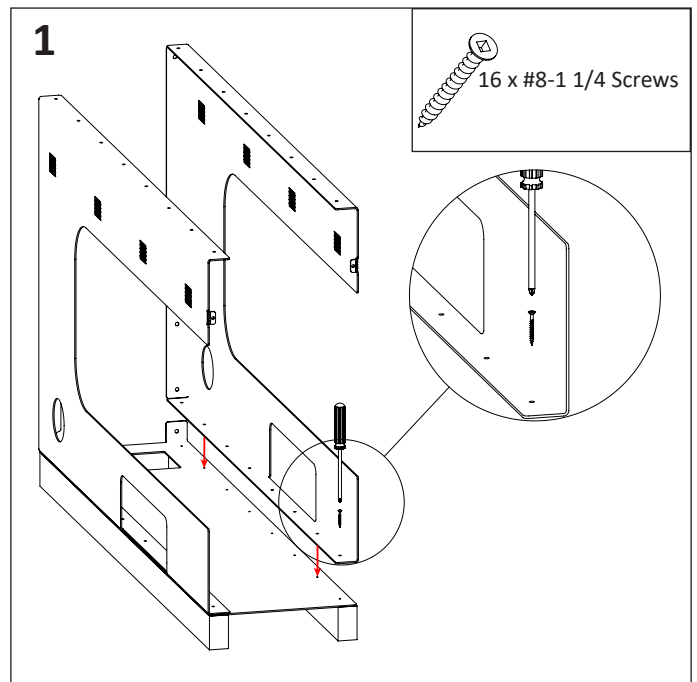
escea.  
FIREPLACE COMPANY



Attach the KWU to the timber framing (not provided) based on the dimensions indicated above. Start by placing the bottom on the timber, then position the left and right sides on top and secure them using 16 screws sized 8-1 1/4.

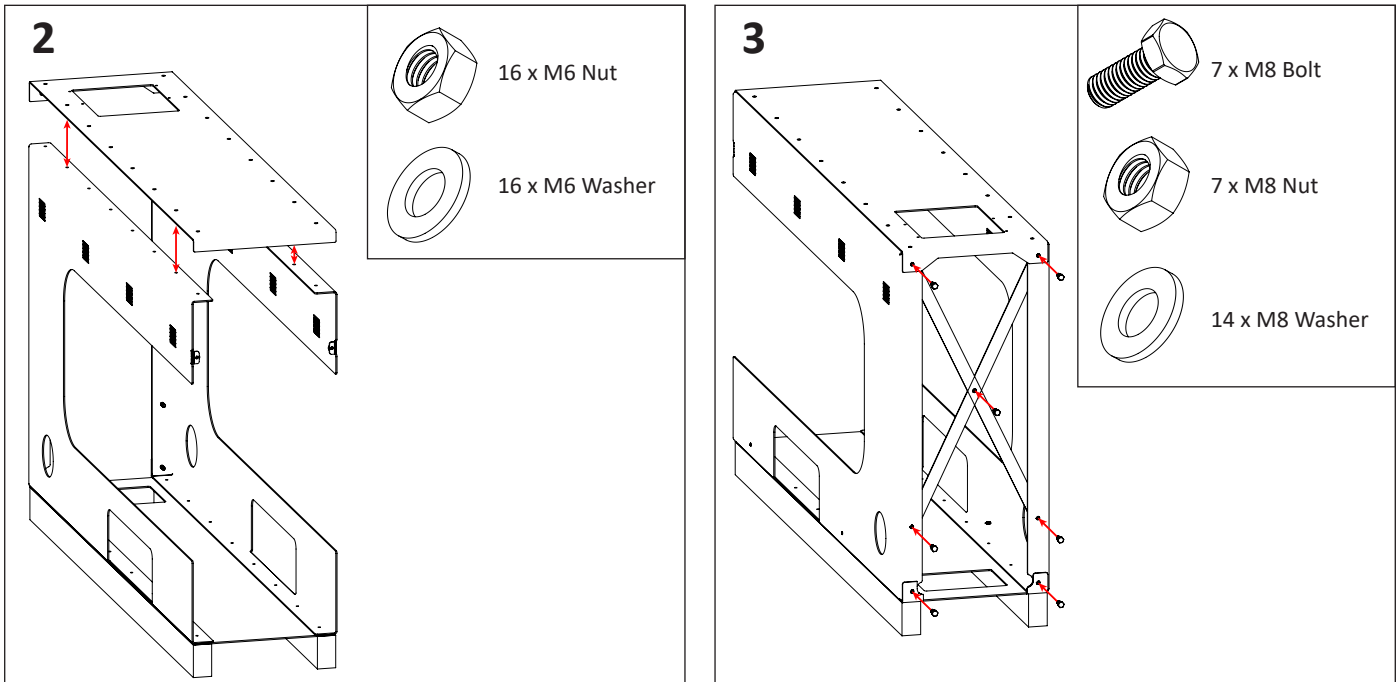
## PACKAGE CONTAINS

Parts	Bolt/Nut/Washer
1 x Right side	16 x #8-1 1/4 Screws
1 x Left side	4 x #8-5/8 Screws
1 x Bottom	2 x M4 Washer
1 x Top	2 x M4 Nut
1 x End	18 x M6 Washer
2 x Hanger	18 x M6 Nut
1 x Lid	14 x M8 Washer
	7 x M8 Nut
	7 x M8 Bolt



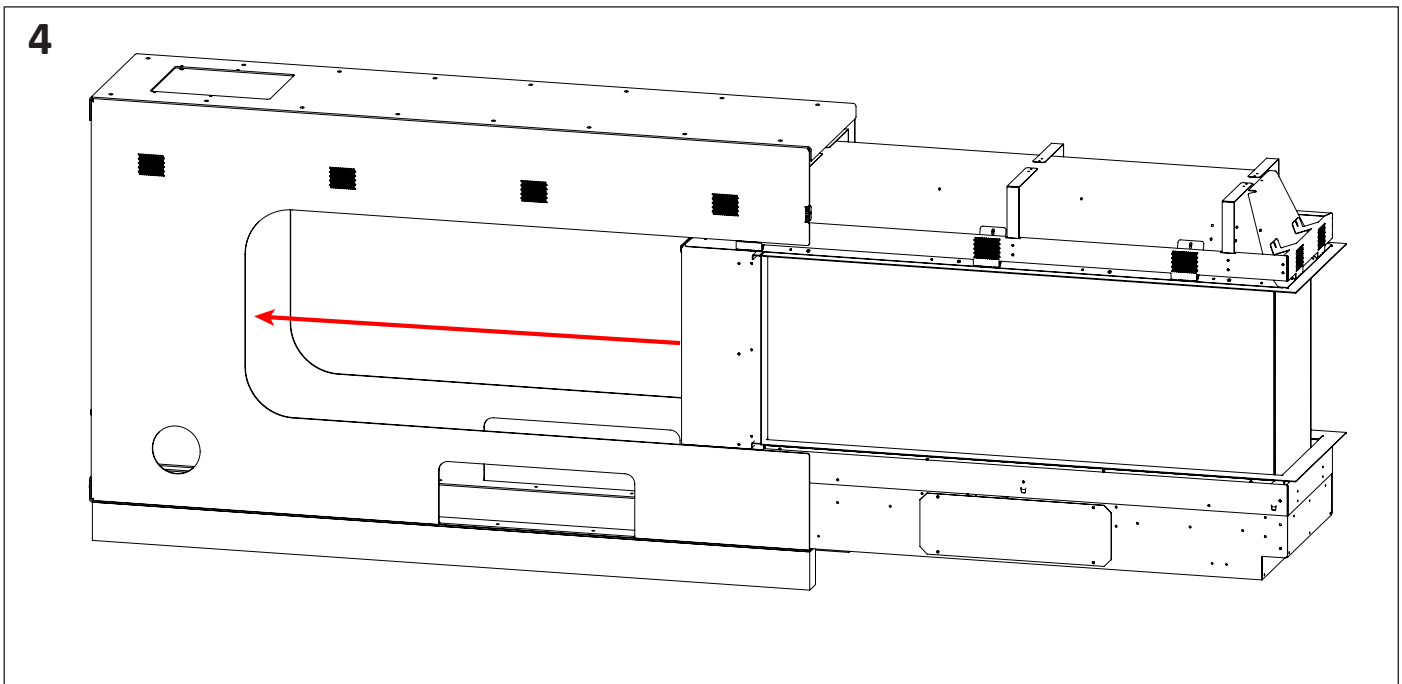
# Kitset Wall Unit (KWU) Installation Instruction

Escea DN Series & MODE KS1150 Corner & Peninsula



Place the top onto the two sides and secure it. Install the 2 hangers as cross braces across the back.

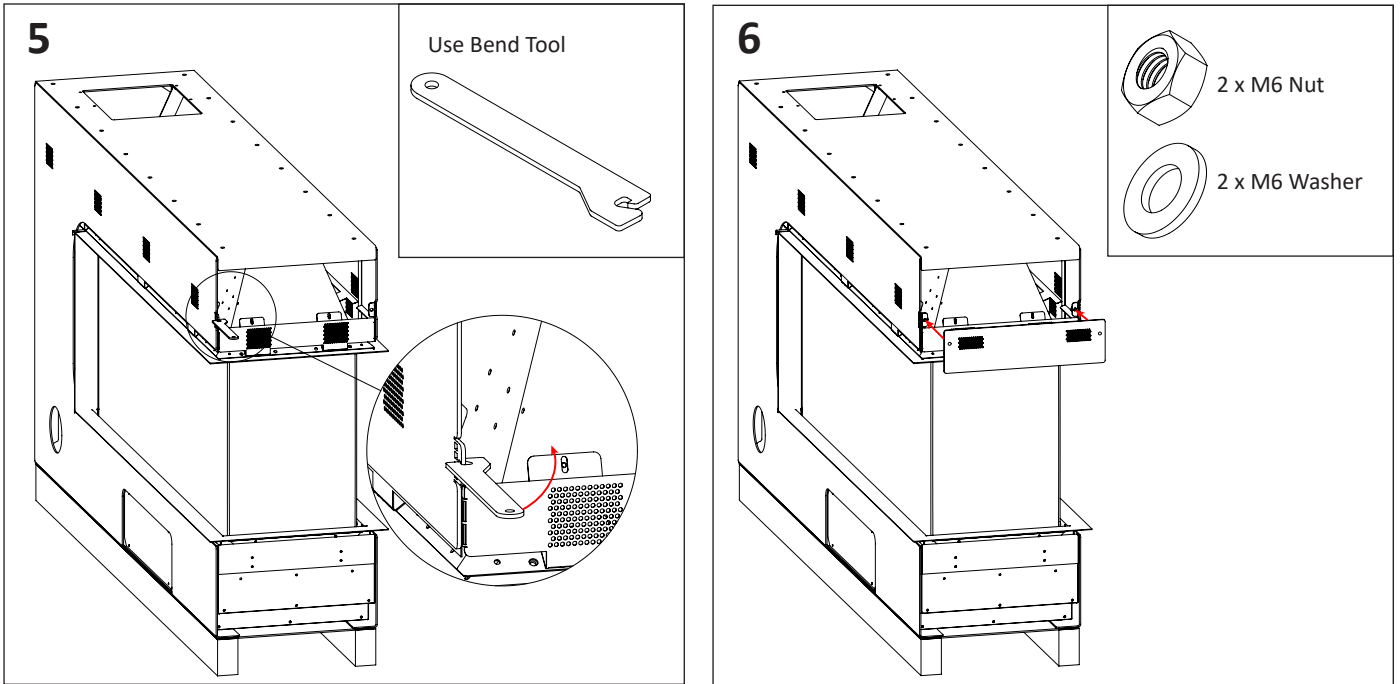
Slide the unit (DN/KS - Peninsula/Corner) into the KWU, utilising the holes on each side to facilitate access while sliding the fire in.



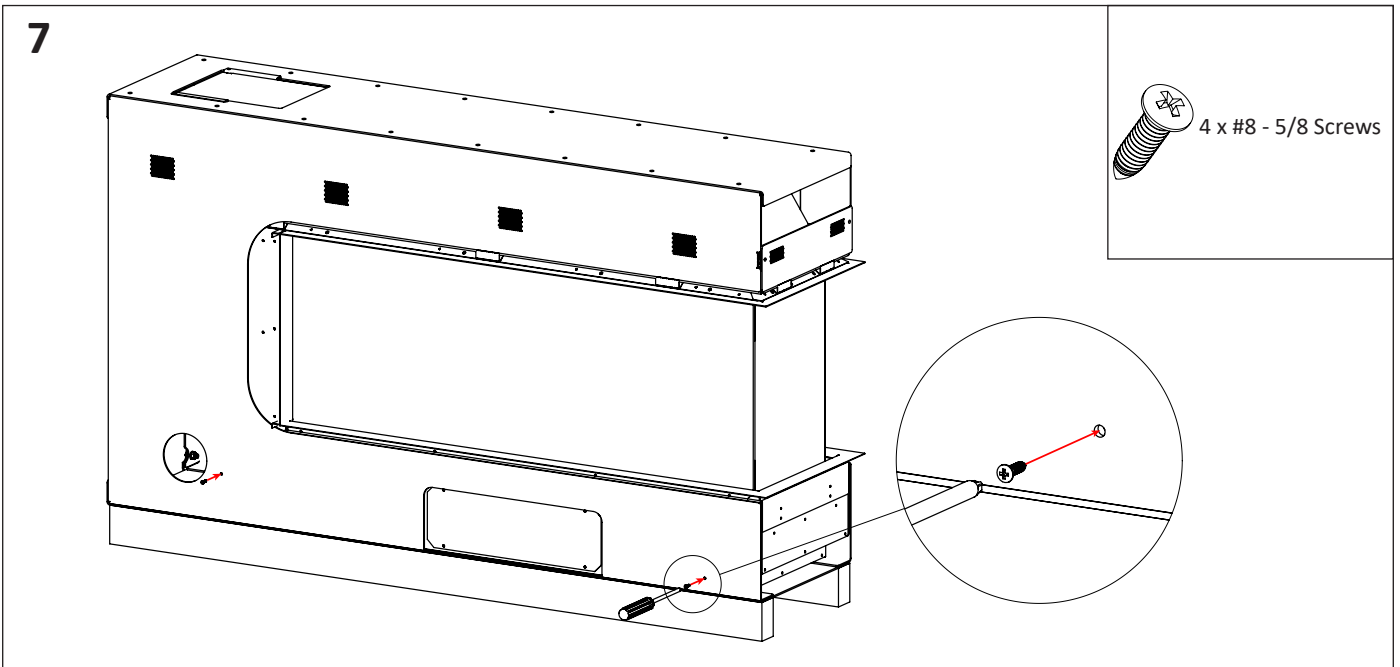
# Kitset Wall Unit (KWU) Installation Instruction

Escea DN Series & MODE KS1150 Corner & Peninsula

escea.  
FIREPLACE COMPANY



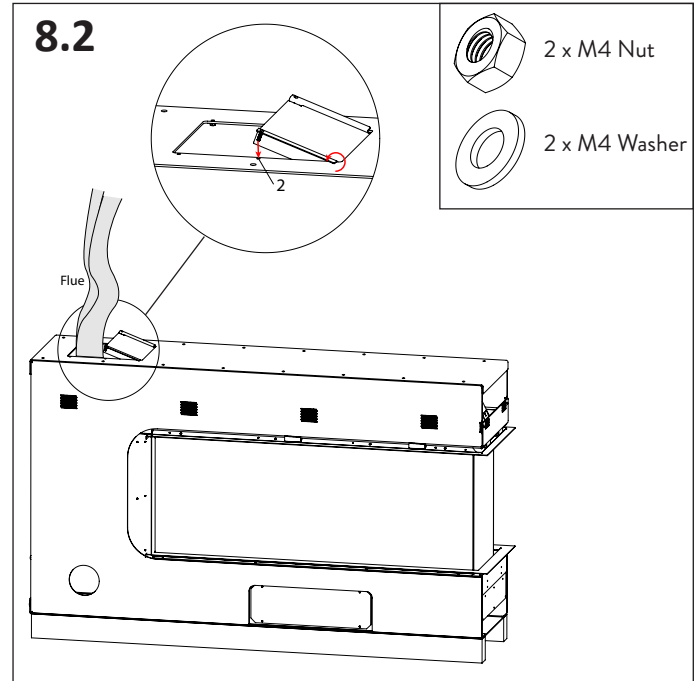
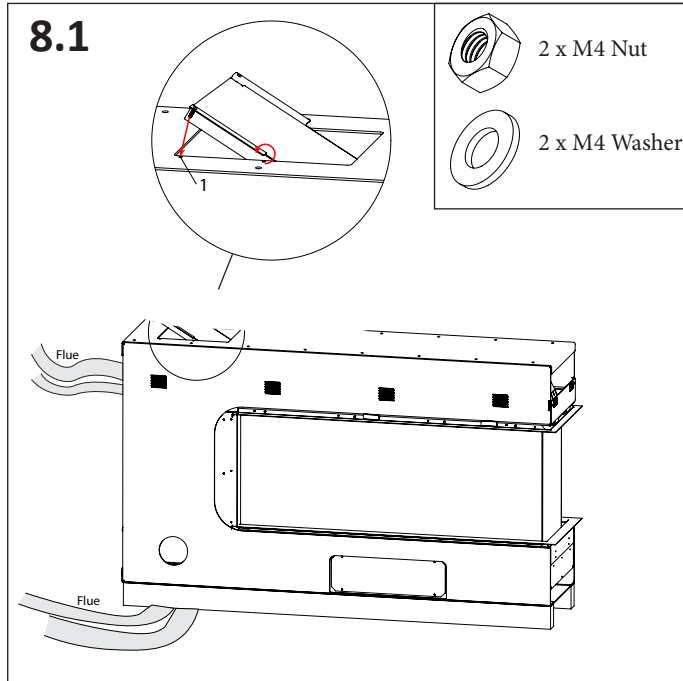
Utilise the provided bend tool to bend the tabs on the top front of each side. Secure the front panel in position at the top. Attach the KWU to the fire using the supplied #8 - 5/8 screws, employing two screws per side.



# Kitset Wall Unit (KWU) Installation Instruction

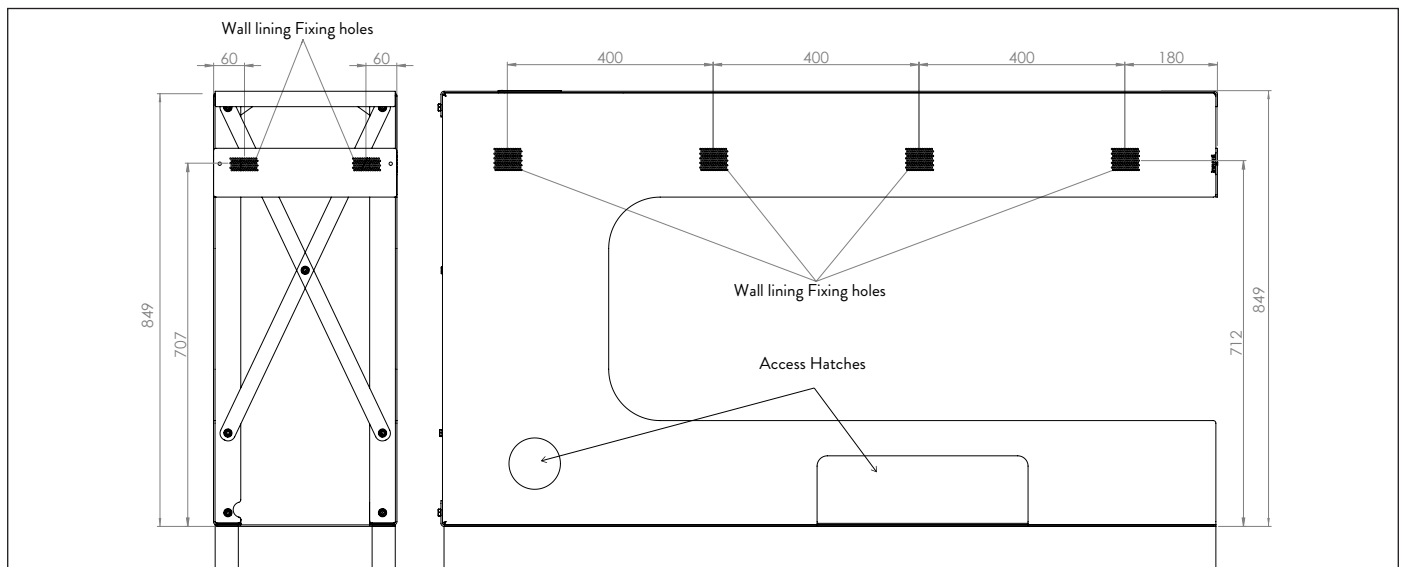
Escea DN Series & MODE KS1150 Corner & Peninsula

The top plate of the KWU can be placed in one of two positions based on the desired flue orientation. Position 1 covers the entire top opening, while position 2 involves the plate sliding partially underneath, covering half of the opening.



Flue out from the back or the bottom -use position 1.

Flue out from the top - use position 2.



The top wall lining fixing holes in the KWU can serve for attaching plasterboard or wall cladding using either screws or construction adhesive glue. The access panels are eligible to be covered, as they are not required to be kept accessible for servicing.

Recommended plasterboard screws: Scavenger Head/Bugle Head High Thread plasterboard screws, Size: 6 x (50mm MAX.)

**WARNING: The maximum load supported by the KWU is 500kg. The attached wall cannot exceed this.**